

US00D506984S

(12) **United States Design Patent**
Oikawa

(10) **Patent No.: US D506,984 S**
(45) **Date of Patent: ** Jul. 5, 2005**

(54) **DISC RECORDER**

(75) Inventor: **Yuji Oikawa, Tokyo (JP)**

(73) Assignee: **Sony Corporation, Tokyo (JP)**

(**) Term: **14 Years**

(21) Appl. No.: **29/205,199**

(22) Filed: **May 12, 2004**

(51) **LOC (8) Cl. 14-01**

(52) **U.S. Cl. D14/136**

(58) **Field of Search** D14/445, 260.1,
D14/258, 257, 224, 217, 198, 197, 196,
195, 194, 193, 192, 188, 168, 167, 156,
136, 135; 455/350, 347, 344; 369/77.1,
75.2, 75.1

(56) **References Cited**

U.S. PATENT DOCUMENTS

D275,668 S	*	9/1984	Erber et al.	D14/136
D314,198 S	*	1/1991	Ito et al.	D14/156
D318,664 S	*	7/1991	Ito et al.	D14/156
D324,687 S	*	3/1992	Olson	D14/217
D327,885 S	*	7/1992	Kasama et al.	D14/135
D327,889 S	*	7/1992	Ito et al.	D14/156
D348,064 S	*	6/1994	Saito et al.	D14/193
D365,816 S	*	1/1996	Starck	D14/135
D392,638 S	*	3/1998	Ito et al.	D14/156
D394,651 S	*	5/1998	Suzuki et al.	D14/136
D407,711 S	*	4/1999	Storti et al.	D14/257
D408,810 S	*	4/1999	Sakamoto et al.	D14/136
D416,018 S	*	11/1999	Ito et al.	D14/156
D421,255 S		2/2000	Hisatsune et al.	
D421,260 S		2/2000	Hyogo	
D428,404 S	*	7/2000	Ito et al.	D14/156
D432,111 S	*	10/2000	Takahashi	D14/156
D433,410 S	*	11/2000	Matsuzaka	D14/365
D442,928 S	*	5/2001	Makino et al.	D14/136
D459,321 S	*	6/2002	Kojima et al.	D14/136
D460,063 S	*	7/2002	Oikawa et al.	D14/168
D460,428 S	*	7/2002	Kojima et al.	D14/136
D462,941 S	*	9/2002	Woo	D14/136
D466,876 S	*	12/2002	Usami et al.	D14/136

D467,567 S		12/2002	Tsuge	
D472,534 S	*	4/2003	Ueno et al.	D14/136
D475,357 S		6/2003	Tejima	
D480,693 S	*	10/2003	Johansson et al.	D14/136
D483,728 S	*	12/2003	Kim	D14/136
D484,474 S	*	12/2003	Johansson et al.	D14/136
D485,814 S	*	1/2004	Winkler	D14/136
D487,571 S	*	3/2004	Kuo et al.	D14/136
D494,172 S	*	8/2004	Asai	D14/368
D495,670 S	*	9/2004	Sakagami	D14/136
D495,677 S	*	9/2004	Kawano et al.	D14/157
D497,148 S	*	10/2004	Kamata et al.	D14/136

OTHER PUBLICATIONS

http://www.dealtime.com/xPF-Sony_SONY_DVPNS57-5P_DVD_Player_Black.*
http://www.superfi.co.uk/index.cfm/page/moreinfo.cfm/Product_ID/1126 Internet Archive Feb. 20, 2004.*
http://www.superfi.co.uk/index.cfm/page/moreinfo.cfm/Product_ID/1584 Internet Archive Dec. 5, 2003.*
<http://www.sonystyle.ca/commerce/servlet/ProductDetailDisplay?storeId=10001&langId=1&catalogId=10001&naviga-tionPath=4594On47000&productId=1000360> Dec. 22, 2004.*

(Continued)

Primary Examiner—Joel A. Sincavage
Assistant Examiner—Austin Murphy
 (74) *Attorney, Agent, or Firm*—Rader, Fishman & Grauer PLLC

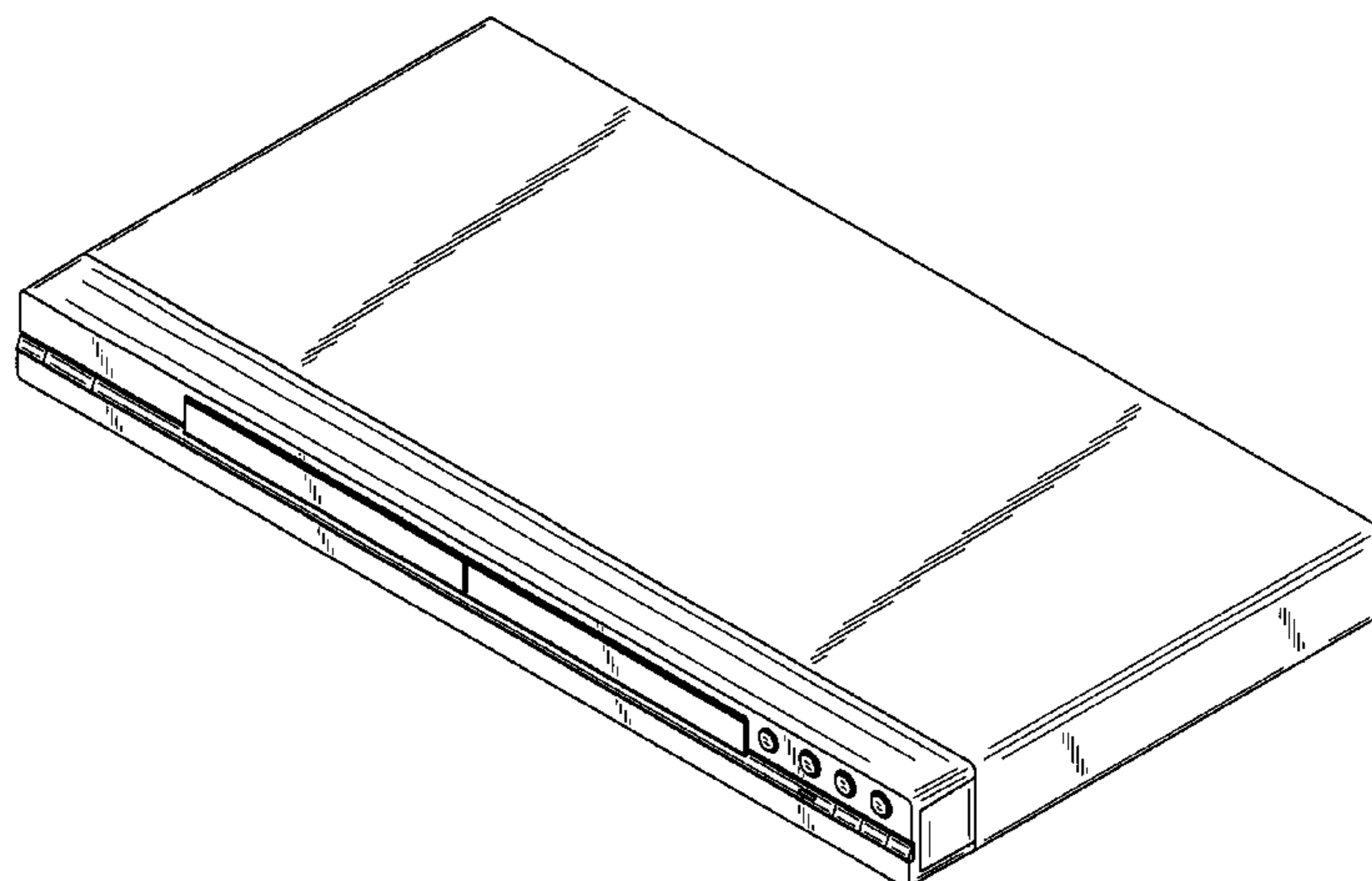
(57) **CLAIM**

The ornamental design for a disc recorder, as shown.

DESCRIPTION

FIG. 1 is a perspective view of a disc recorder showing my new design;
 FIG. 2 is a front elevational view thereof;
 FIG. 3 is a rear elevational view thereof;
 FIG. 4 is a left side elevational view thereof;
 FIG. 5 is a right side elevational view thereof;
 FIG. 6 is a top plan view thereof; and,
 FIG. 7 is a bottom plan view thereof.

1 Claim, 4 Drawing Sheets



OTHER PUBLICATIONS

Web page "DVP-NS730P" www.yodobashi.com, 1 sheet,
Yodobashi Camera (Mar. 2004).

Web page "DVP-NS530-S" www.yodobashi.com, 1 sheet,
Yodobashi Camera (Mar. 2004).

* cited by examiner

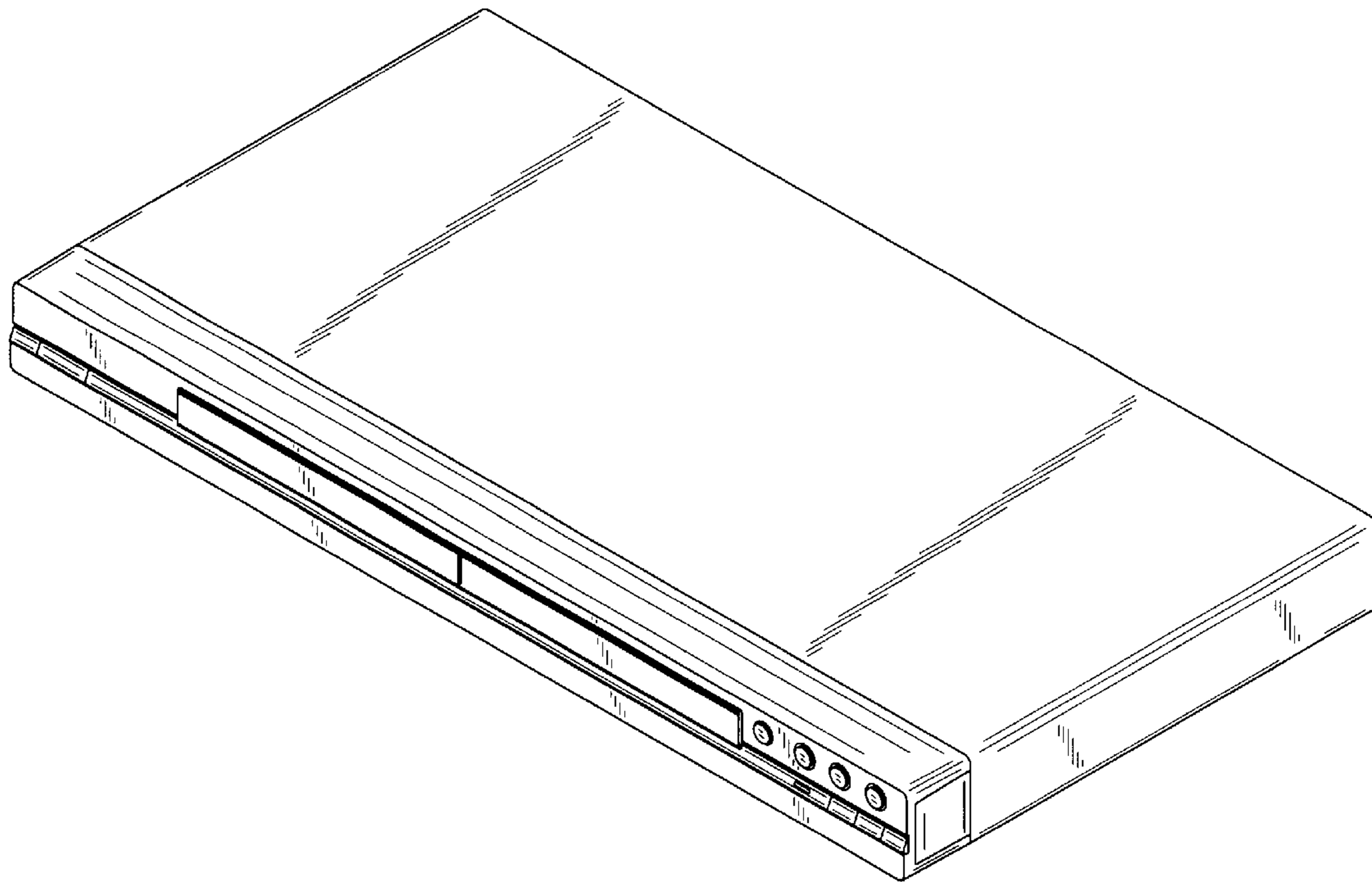


FIG. 1

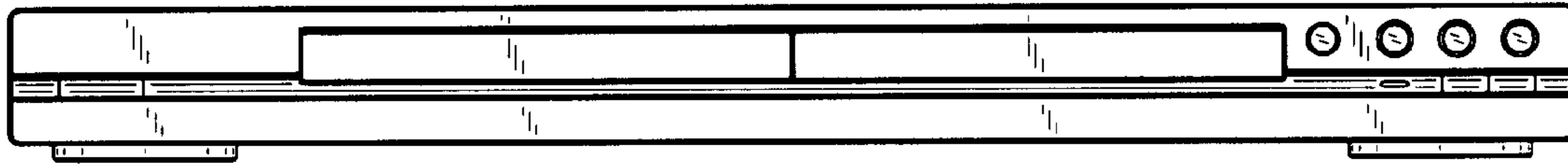


FIG. 2

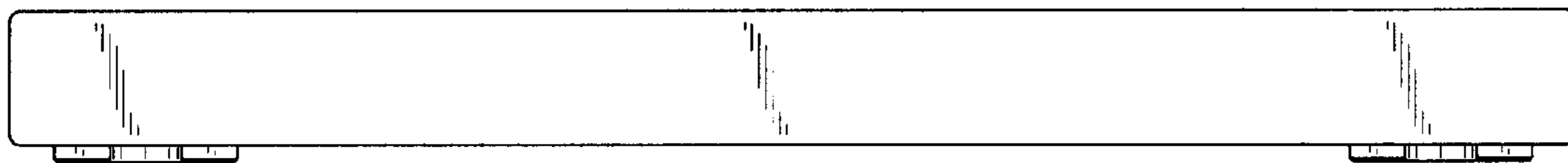


FIG. 3

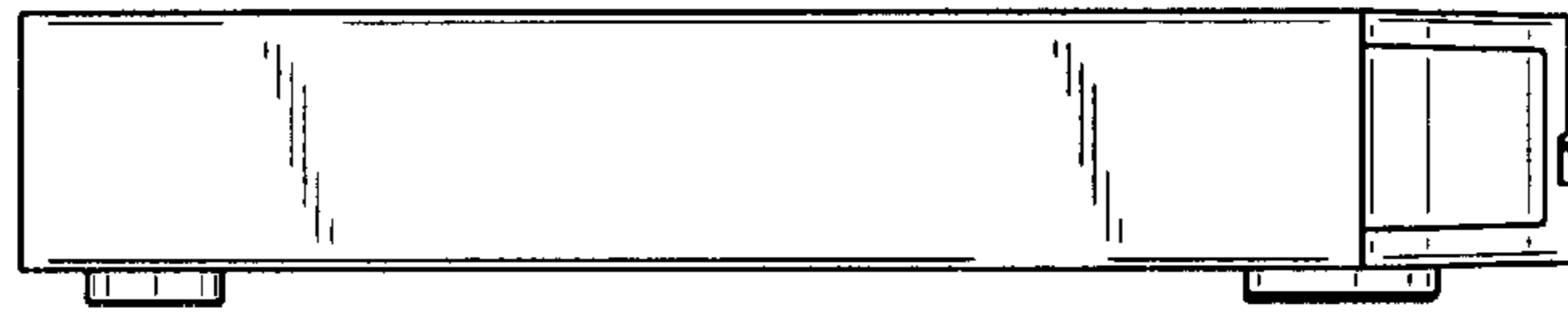


FIG. 4

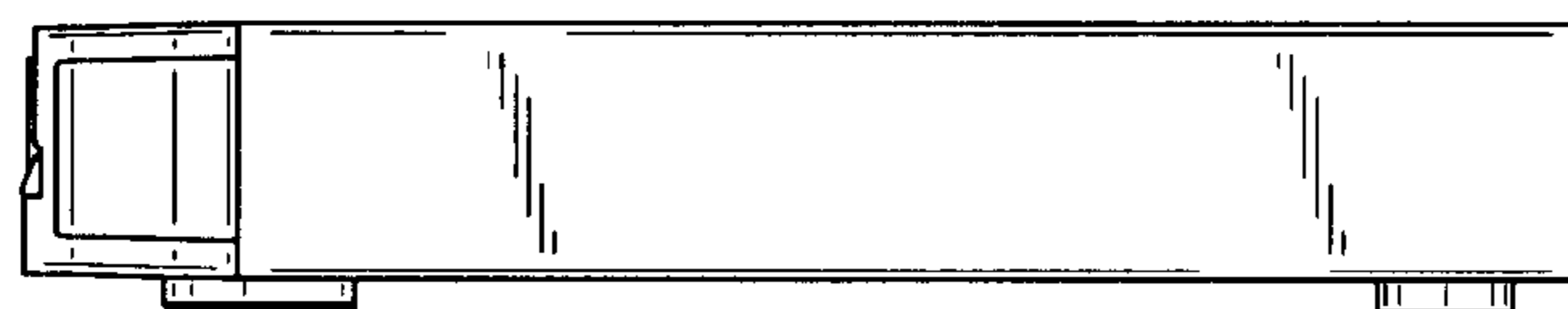


FIG. 5

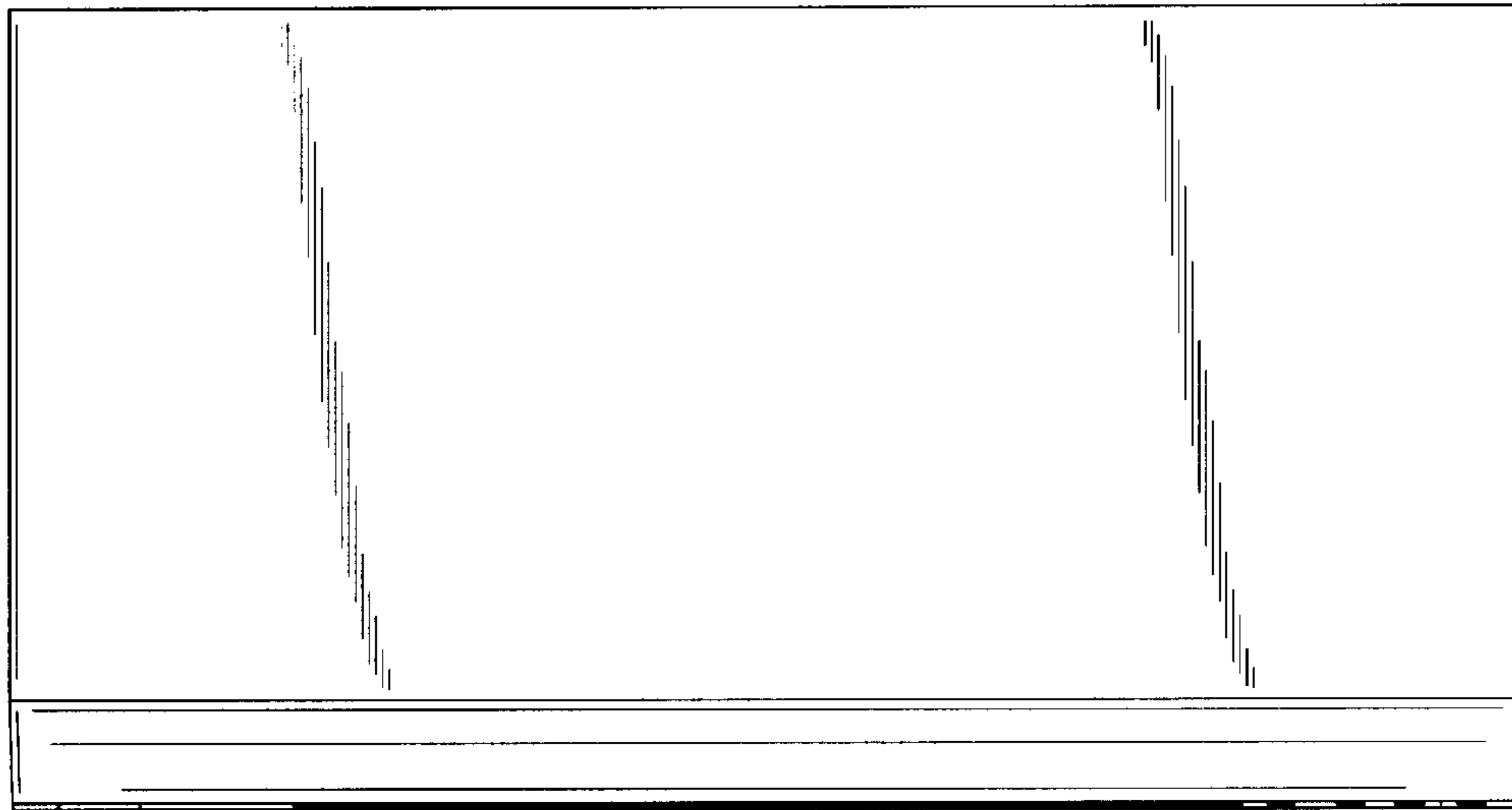


FIG. 6

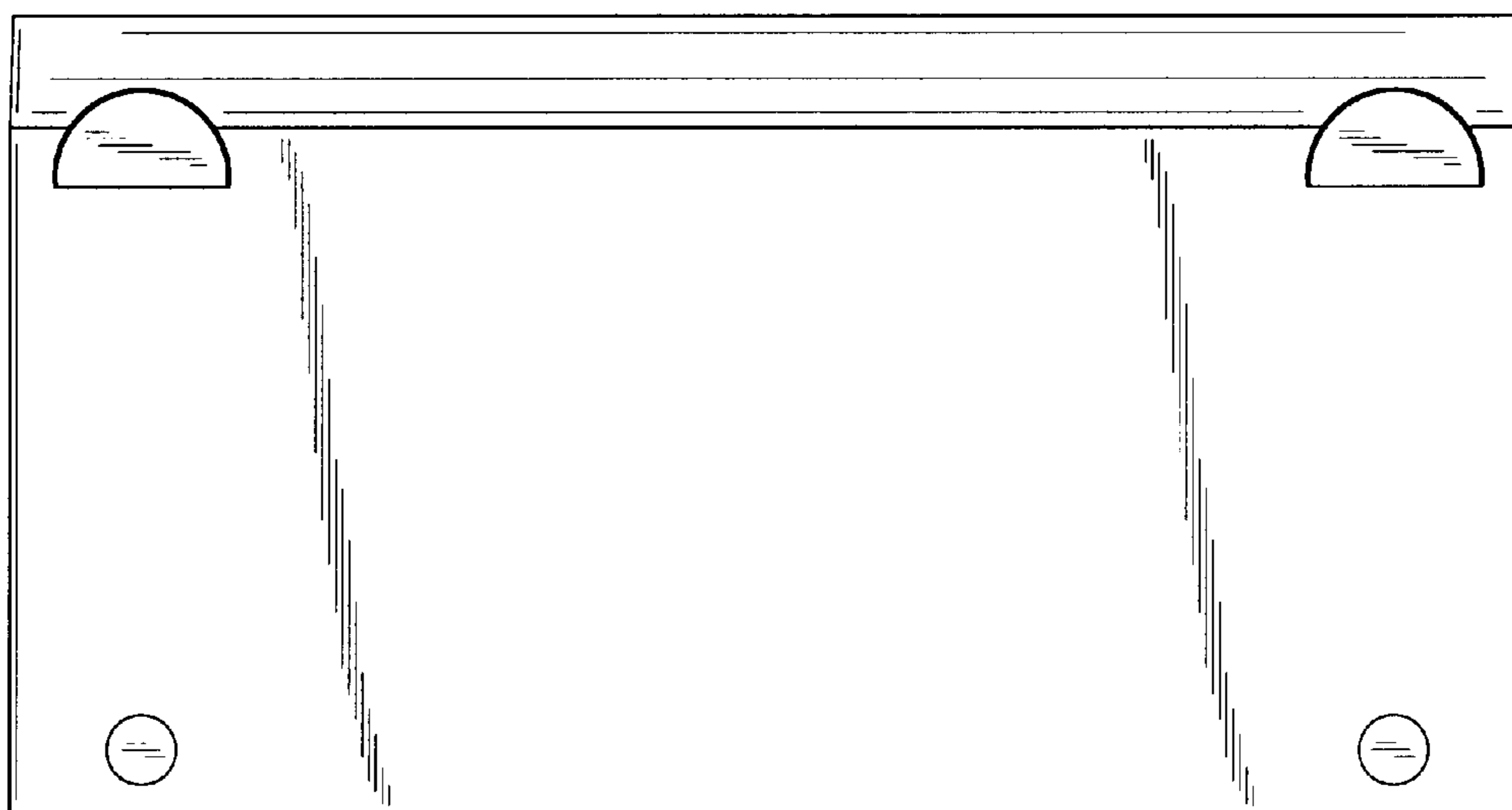


FIG. 7