

US00D506977S

(12) **United States Design Patent**
Lee

(10) **Patent No.:** **US D506,977 S**
(45) **Date of Patent:** **** Jul. 5, 2005**

(54) **COMPUTER SWITCHING POWER SUPPLY**

(75) Inventor: **Kenny Lee, San Chung (TW)**

(73) Assignee: **Etasis Electronics Corporation, Taipei Hsien (TW)**

(**) Term: **14 Years**

(21) Appl. No.: **29/187,569**

(22) Filed: **Aug. 5, 2003**

(51) **LOC (8) Cl.** **13-02**

(52) **U.S. Cl.** **D13/110**

(58) **Field of Search** D13/110, 103,
D13/123, 158, 162, 184, 199; D14/300-301,
314, 432; 361/142, 268, 601, 622, 690,
730; 363/13

(56) **References Cited**

U.S. PATENT DOCUMENTS

D329,844 S * 9/1992 Ishida D13/162
D339,101 S * 9/1993 Delamoreaux et al. D13/110
D365,086 S * 12/1995 Spechts D13/184
D376,347 S * 12/1996 Mousa D13/110

D382,539 S * 8/1997 Kornblum et al. D13/123
D387,032 S * 12/1997 Tracewell D13/110
D390,532 S * 2/1998 Su D13/110
D488,441 S * 4/2004 Ogawa et al. D13/110
D491,523 S * 6/2004 Chi et al. D13/110

* cited by examiner

Primary Examiner—Stella Reid

Assistant Examiner—Daniel Bui

(74) *Attorney, Agent, or Firm*—Troxell Law Office, PLLC

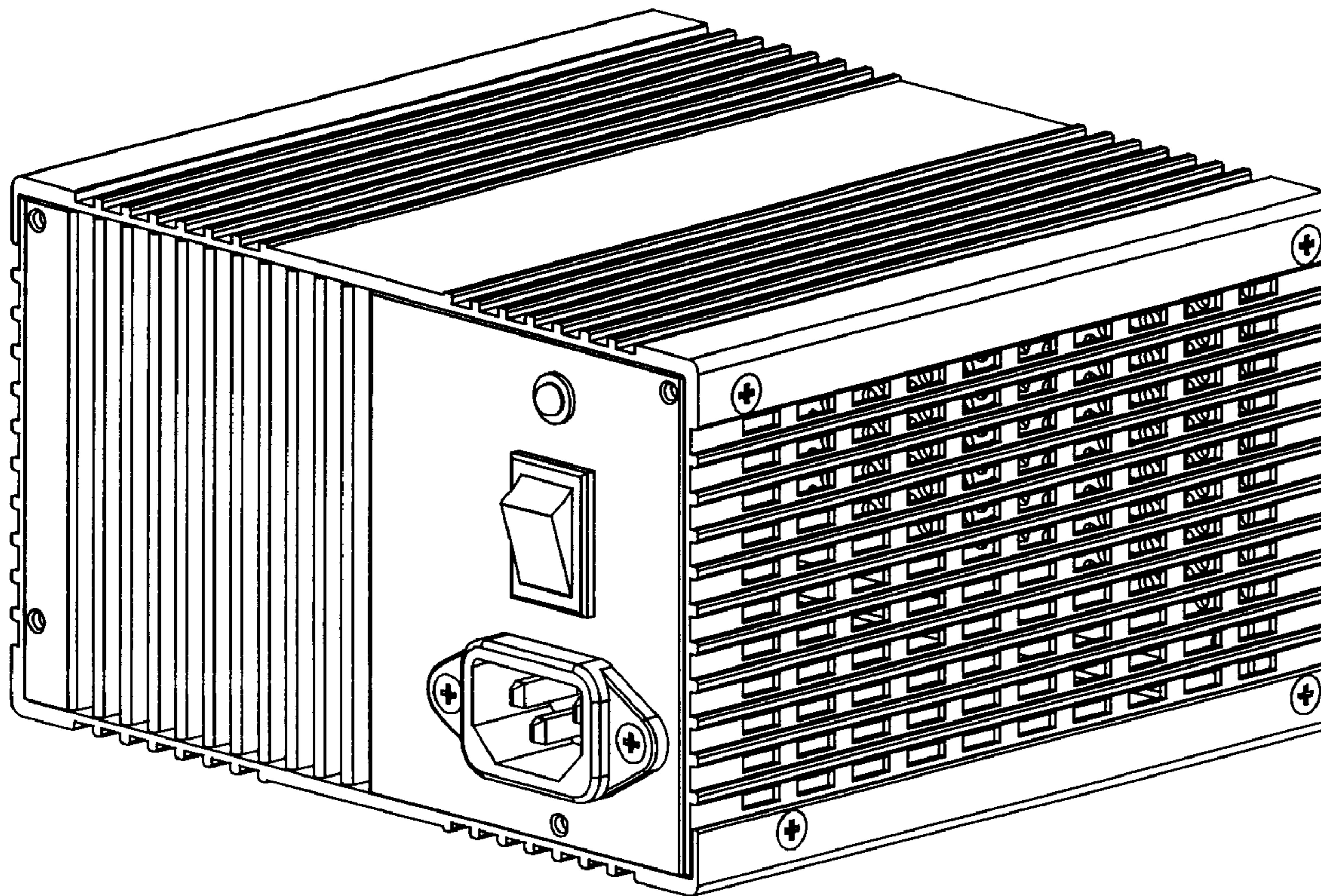
(57) **CLAIM**

The ornamental design for a computer switching power supply, as shown and described.

DESCRIPTION

FIG. 1 is a top front and left side perspective view of computer switching power supply showing my new design; FIG. 2 is a rear elevational view thereof; FIG. 3 is a front elevational view thereof; FIG. 4 is a left side elevational view thereof; FIG. 5 is a right side elevational view thereof; FIG. 6 is a top plan view thereof; and, FIG. 7 is a bottom plan view thereof.

1 Claim, 5 Drawing Sheets



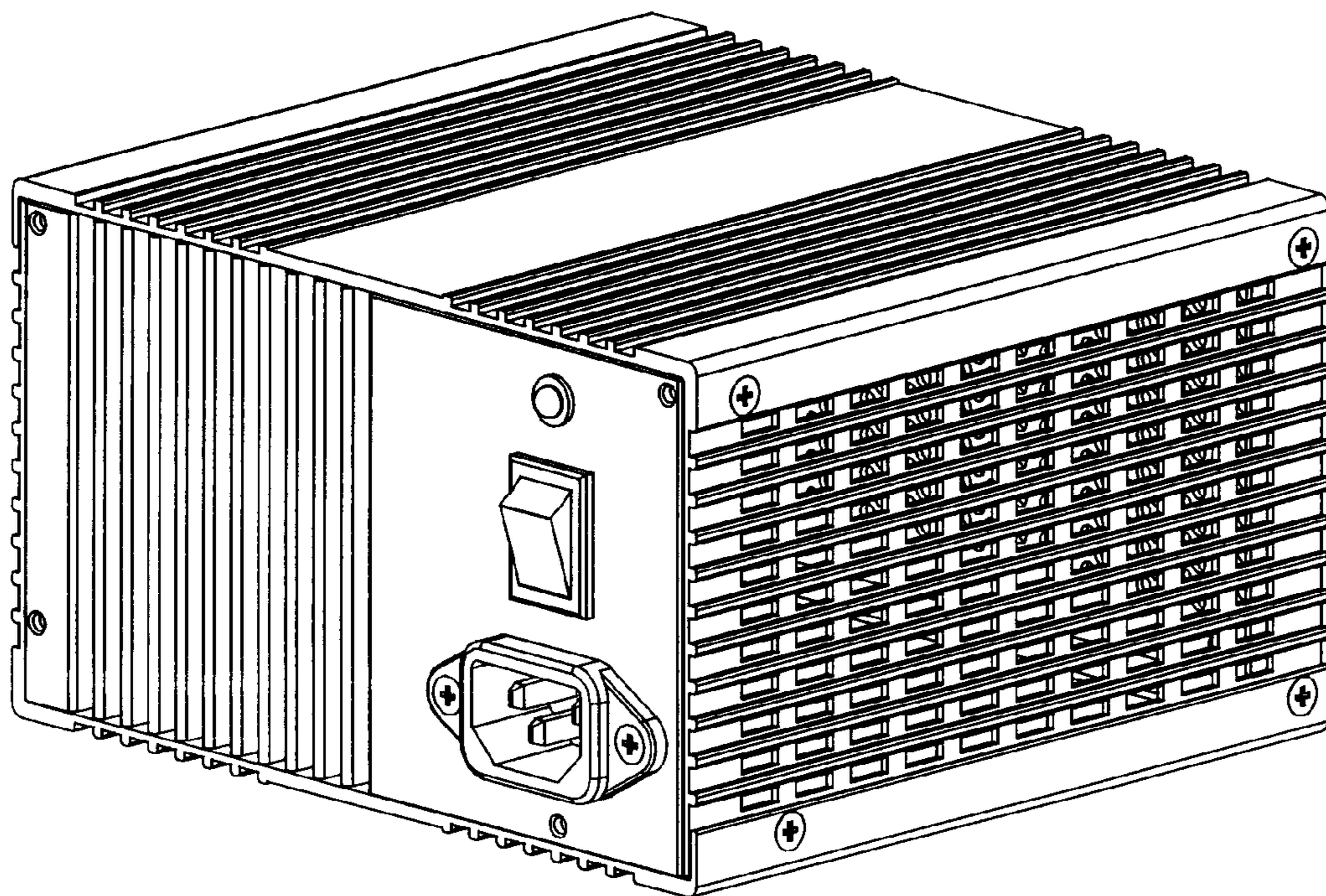


Fig. 1

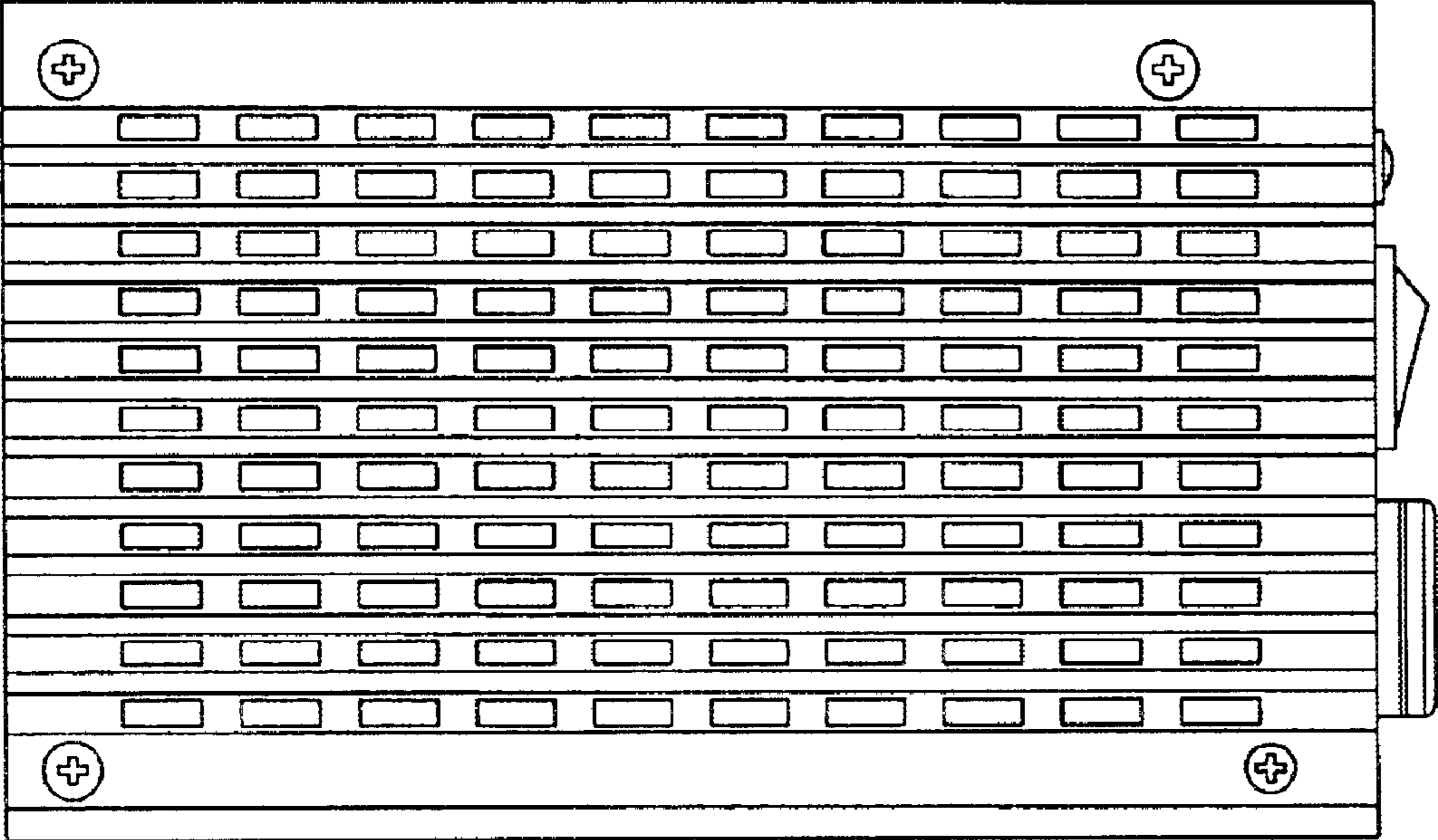


Fig. 2

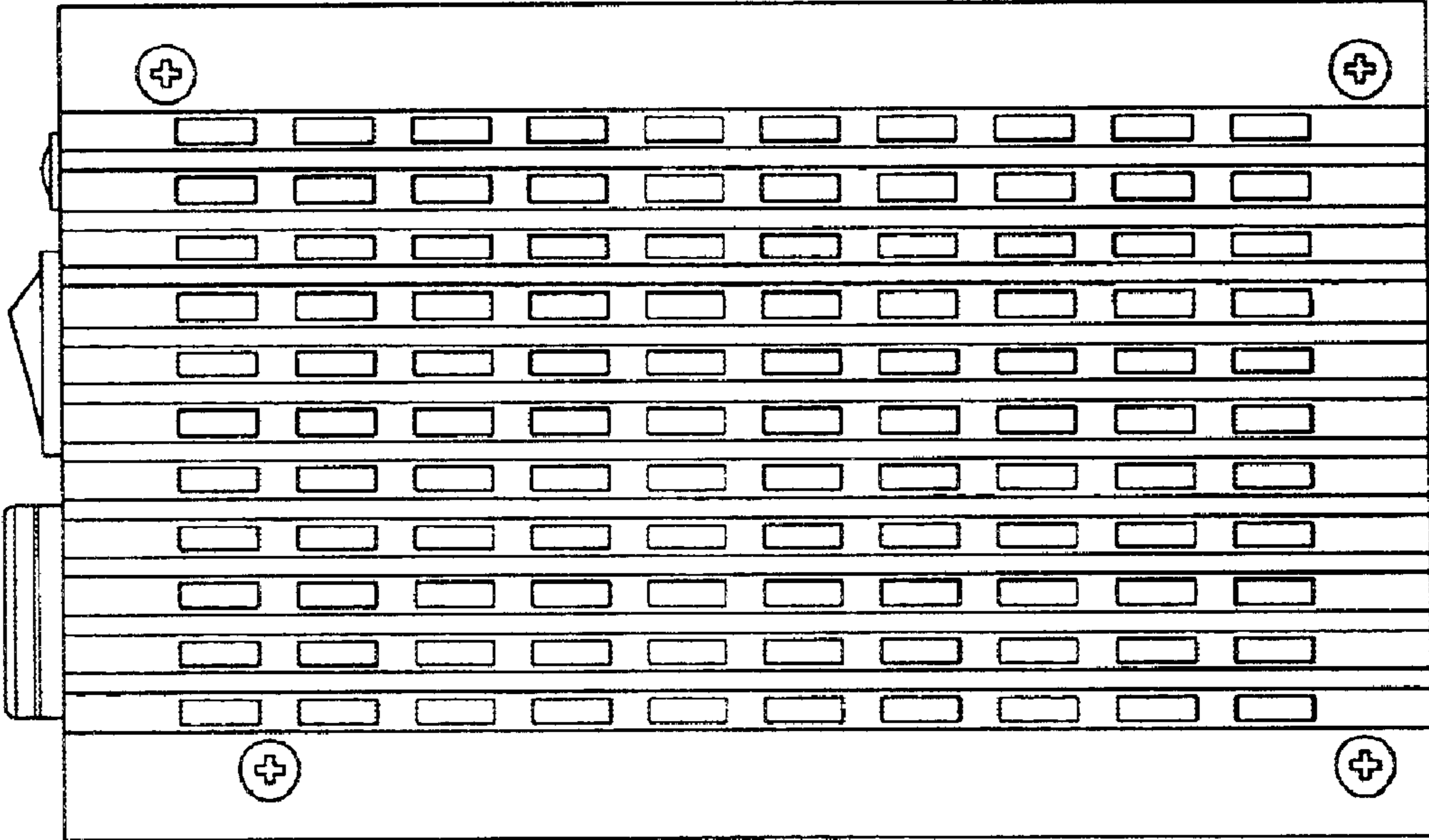


Fig. 3

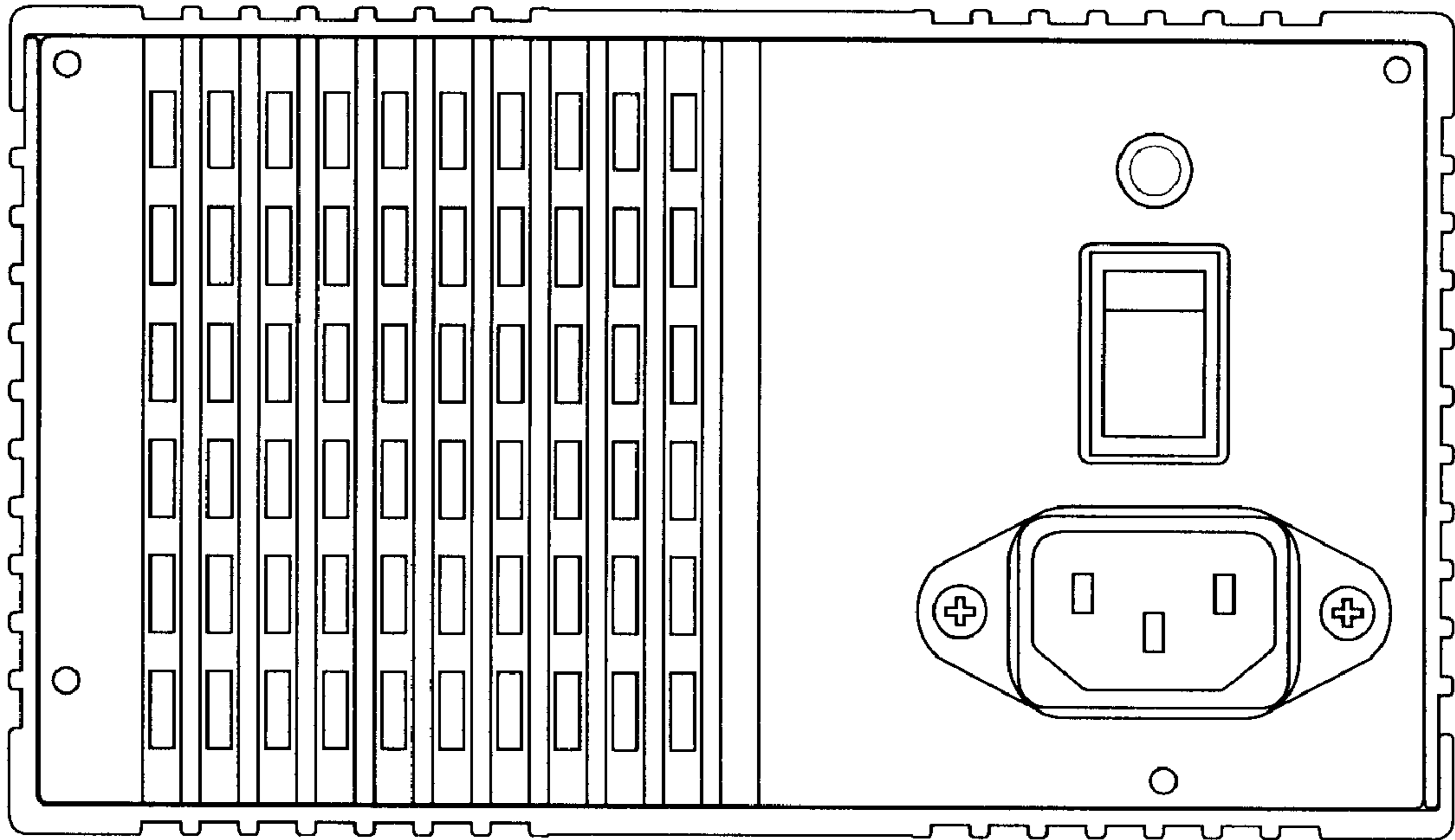


Fig. 4

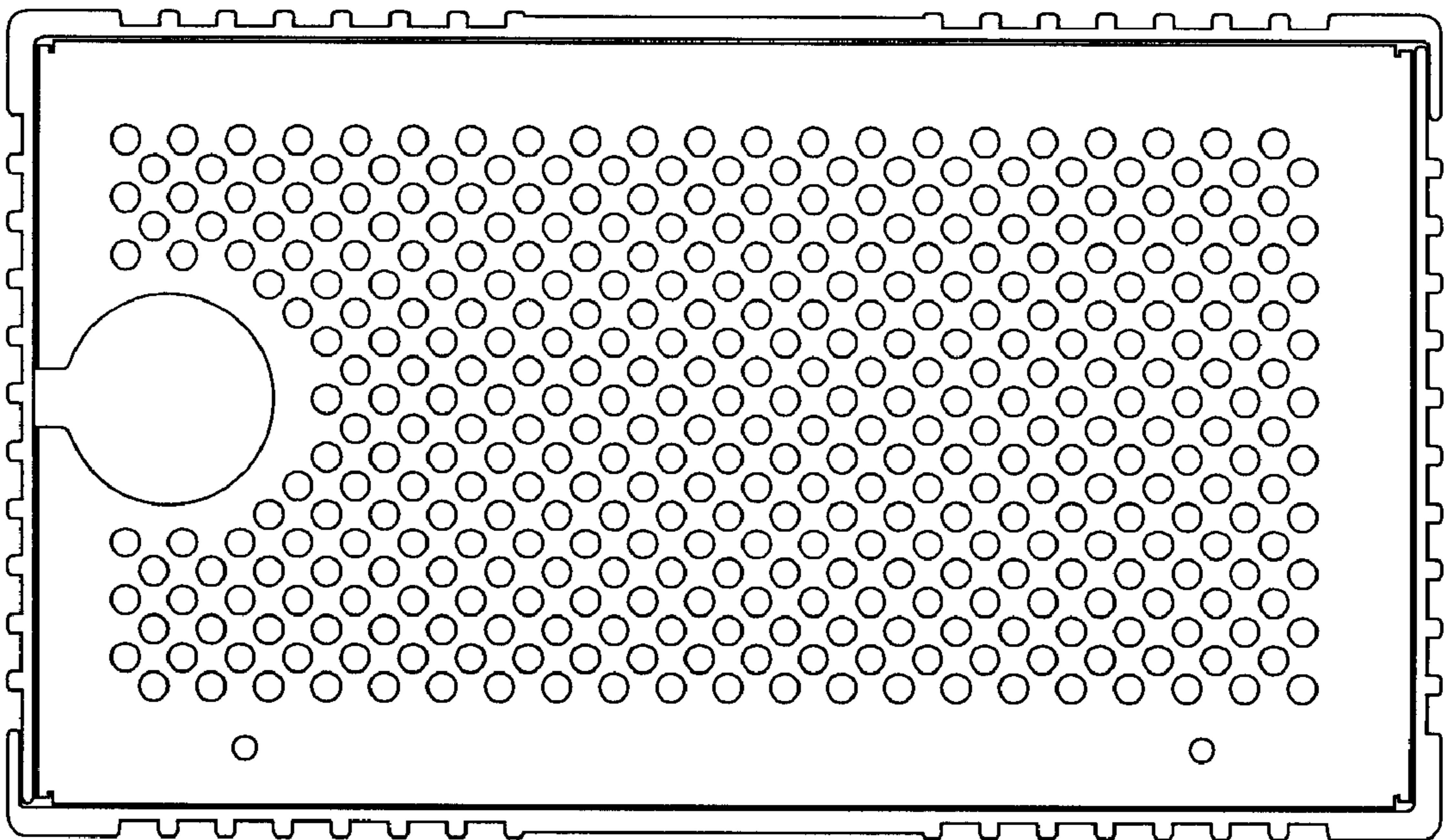


Fig. 5

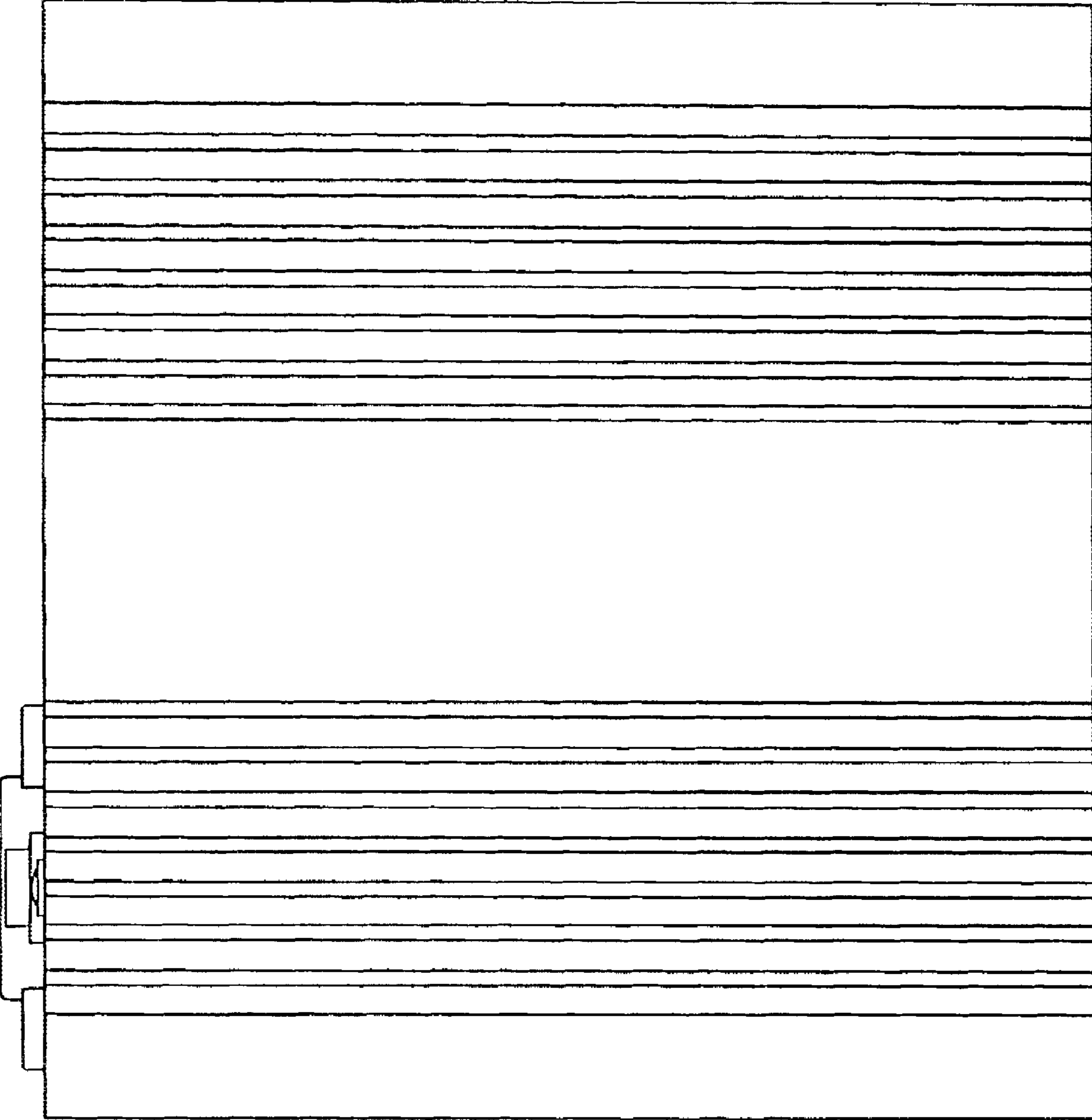


Fig. 6

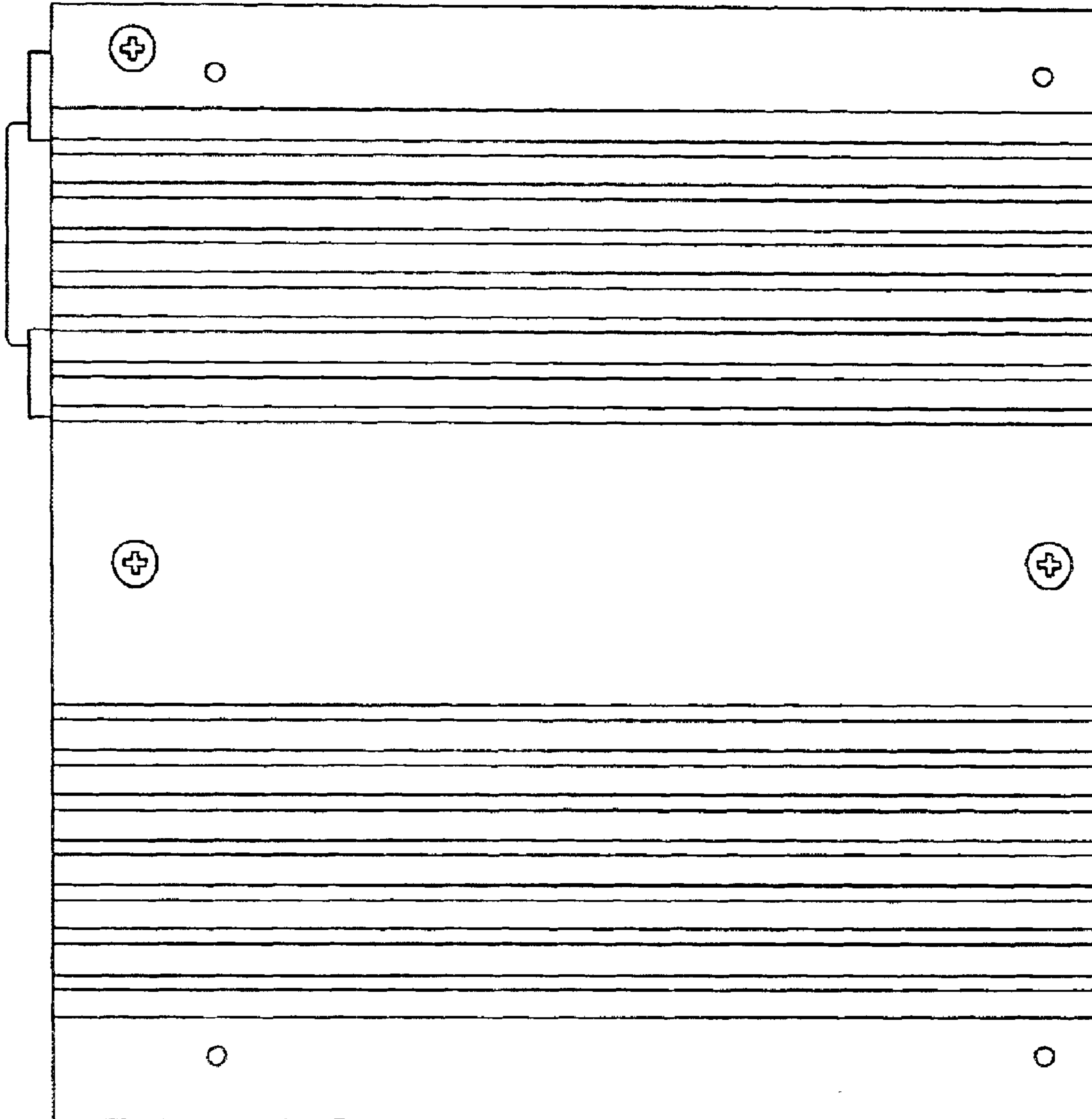


Fig. 7