

US00D506975S

(12) **United States Design Patent** (10) **Patent No.:** **US D506,975 S**
Krieger et al. (45) **Date of Patent:** **** Jul. 5, 2005**

(54) **BATTERY CHARGER**

(75) Inventors: **Michael Krieger**, Miami Beach, FL (US); **Kevin Ellsworth**, Hollywood, FL (US)

(73) Assignee: **Vector Products, Inc.**, Ft. Lauderdale, FL (US)

(**) Term: **14 Years**

(21) Appl. No.: **29/208,498**

(22) Filed: **Jun. 30, 2004**

Related U.S. Application Data

(60) Division of application No. 29/186,130, filed on Jul. 10, 2003, now Pat. No. Des. 493,770, which is a continuation-in-part of application No. 29/180,698, filed on Apr. 30, 2003, now abandoned.

(51) **LOC (8) Cl.** **13-02**

(52) **U.S. Cl.** **D13/107**

(58) **Field of Search** D13/106-110, D13/118; D14/188, 251, 253, 265; 320/104, 105, 107, 116; 439/501, 504

(56) **References Cited**

U.S. PATENT DOCUMENTS

D330,187 S	*	10/1992	Shimoo et al.	D13/107
5,429,235 A	*	7/1995	Chen	206/373
D386,148 S	*	11/1997	Katooka et al.	D13/110
5,793,185 A		8/1998	Prelec et al.	320/105
D413,098 S		8/1999	Dayan	D13/110
6,002,235 A	*	12/1999	Clore	320/105
D423,451 S	*	4/2000	Heckenast et al.	D13/110

D429,482 S	*	8/2000	Hussaini et al.	D13/107
D432,985 S	*	10/2000	Wan	D13/107
D444,125 S	*	6/2001	Shy	D13/110
RE37,482 E		12/2001	Guay et al.	D13/110
D452,474 S	*	12/2001	Casarella	D13/107
D466,862 S	*	12/2002	Casarella	D13/107
D469,401 S	*	1/2003	Griffey et al.	D13/110
D474,151 S	*	5/2003	James et al.	D13/119
D483,326 S		12/2003	Krieger et al.	D13/107
D486,646 S	*	2/2004	Chen	D3/318

* cited by examiner

Primary Examiner—Alan P. Douglas

Assistant Examiner—Rosemary Tarca

(74) *Attorney, Agent, or Firm*—Venable LLP; Robert Kinberg

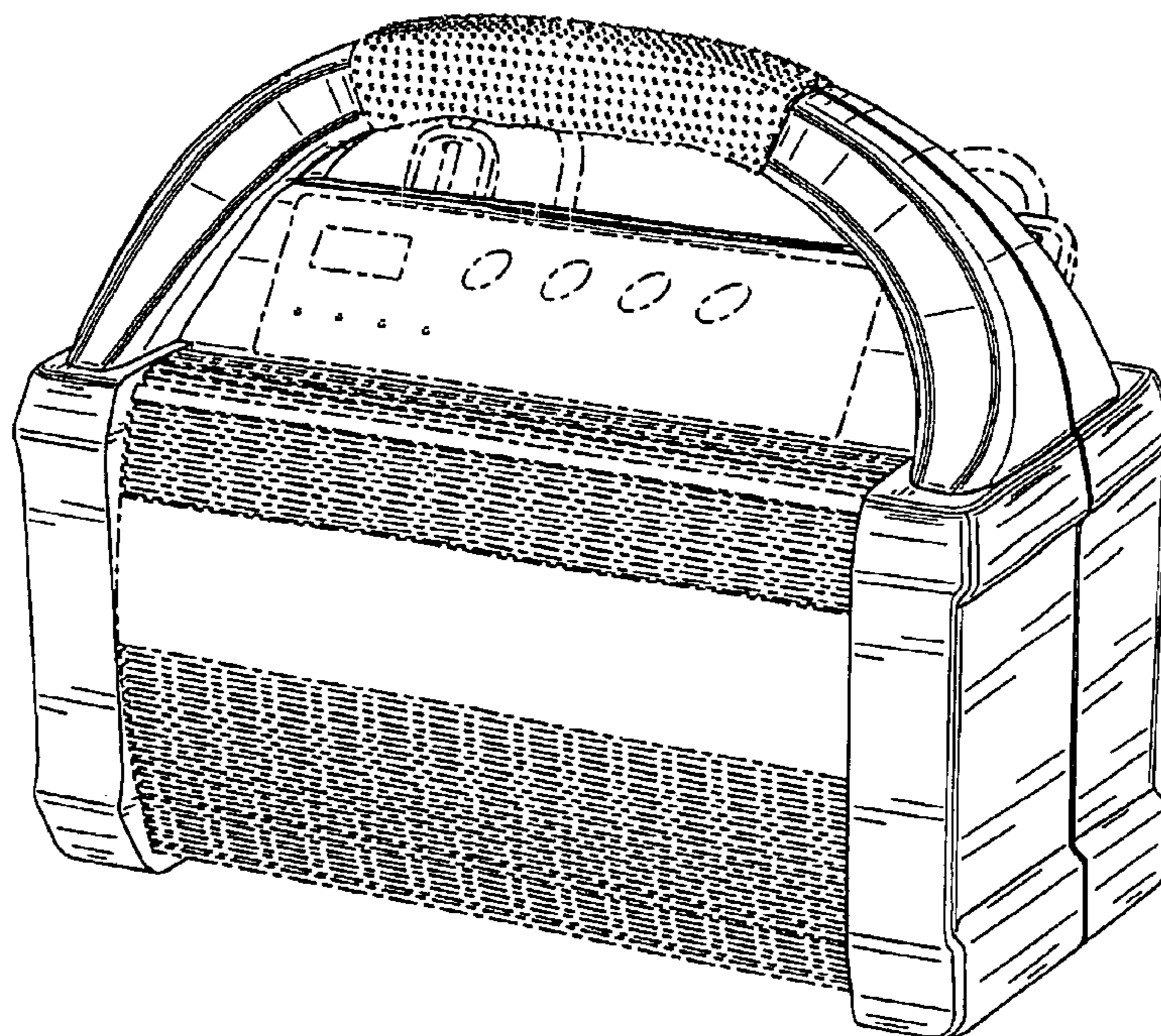
(57) **CLAIM**

The ornamental design for a battery charger, as shown and described.

DESCRIPTION

FIG. 1 is a perspective view from the front-top-right side of the battery charger showing our new design; FIG. 2 is a front view of the design shown in FIG. 1; FIG. 3 is a rear view of the design shown in FIG. 1; FIG. 4 is a left side view of the design shown in FIG. 1; FIG. 5 is a right side view of the design shown in FIG. 1; FIG. 6 is a top view of the design shown in FIG. 1; and FIG. 7 is a bottom view of the design shown in FIG. 1. The broken lines immediately adjacent the shaded areas represent the bounds of the claimed design while all other broken lines are for illustrative purposes only; the broken lines form no part of the claimed design.

1 Claim, 7 Drawing Sheets



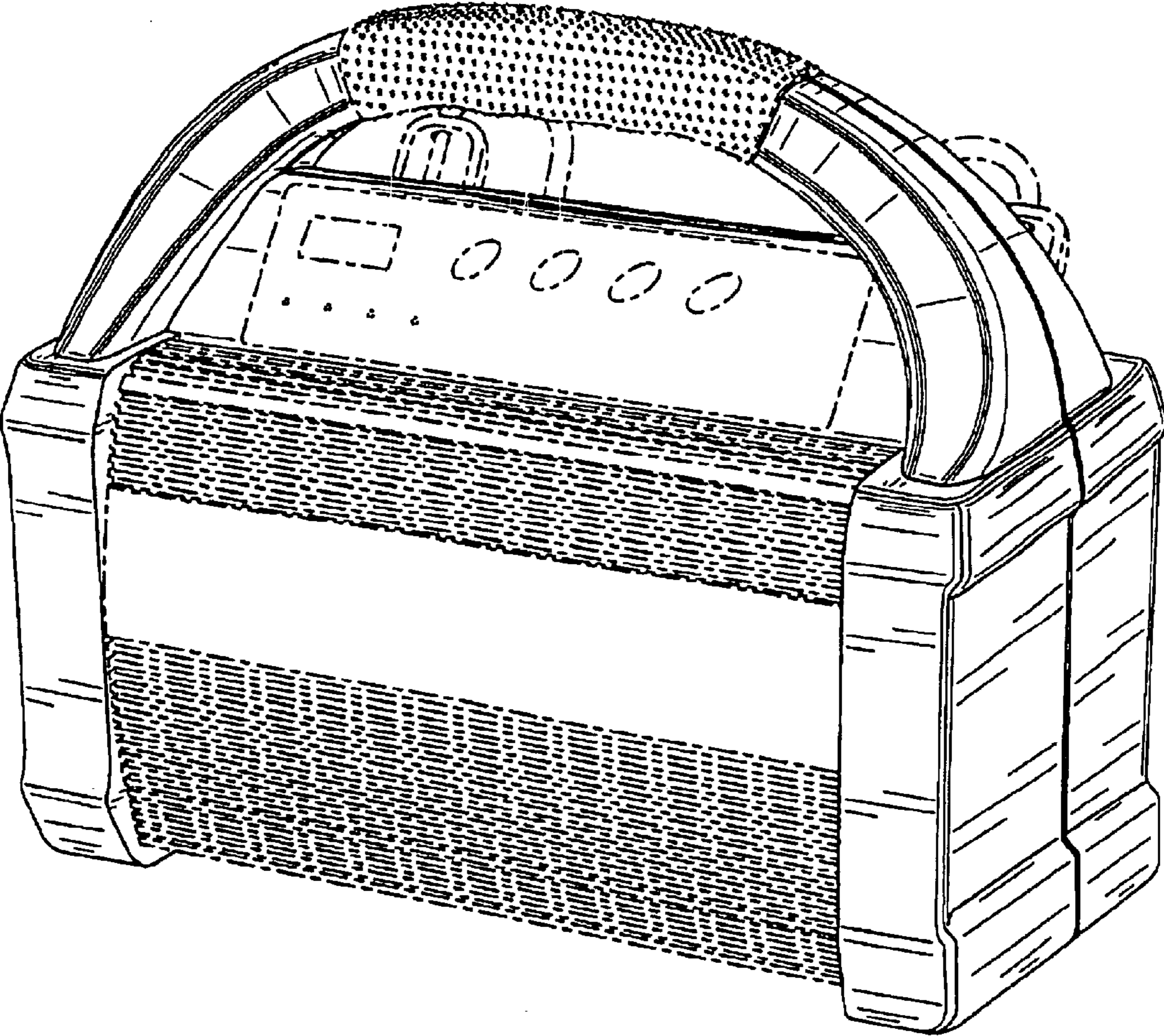


FIG. 1

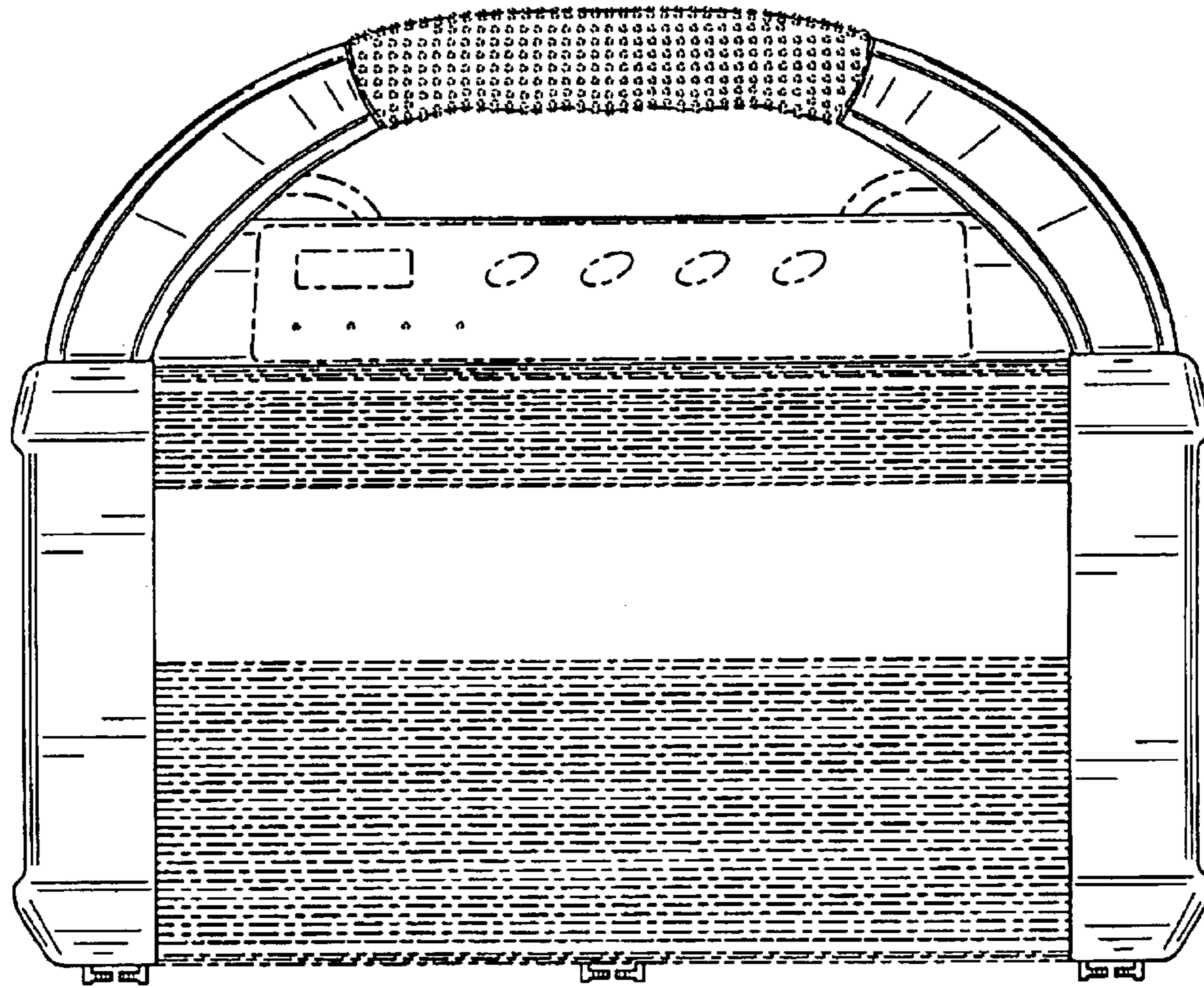


FIG. 2

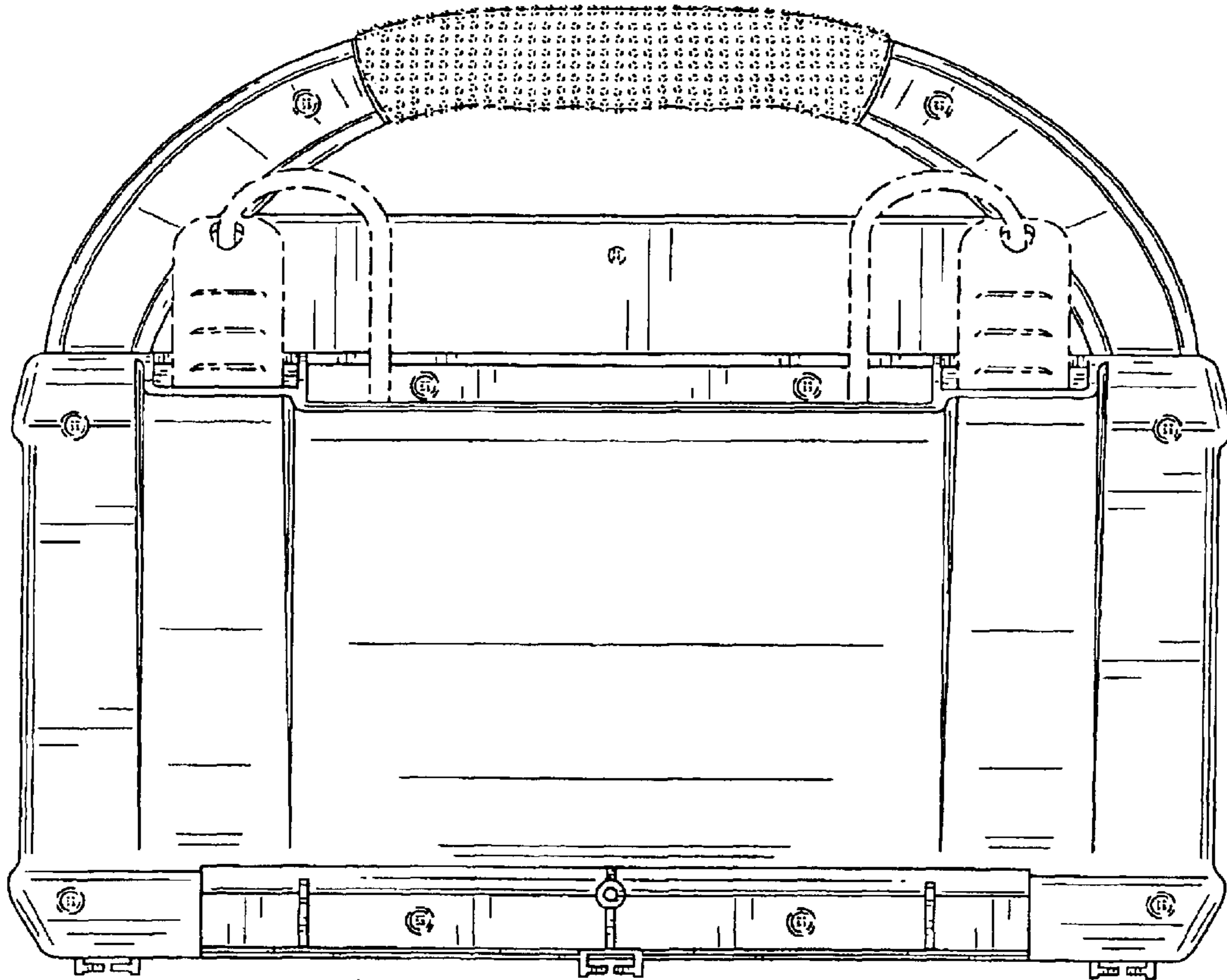


FIG. 3

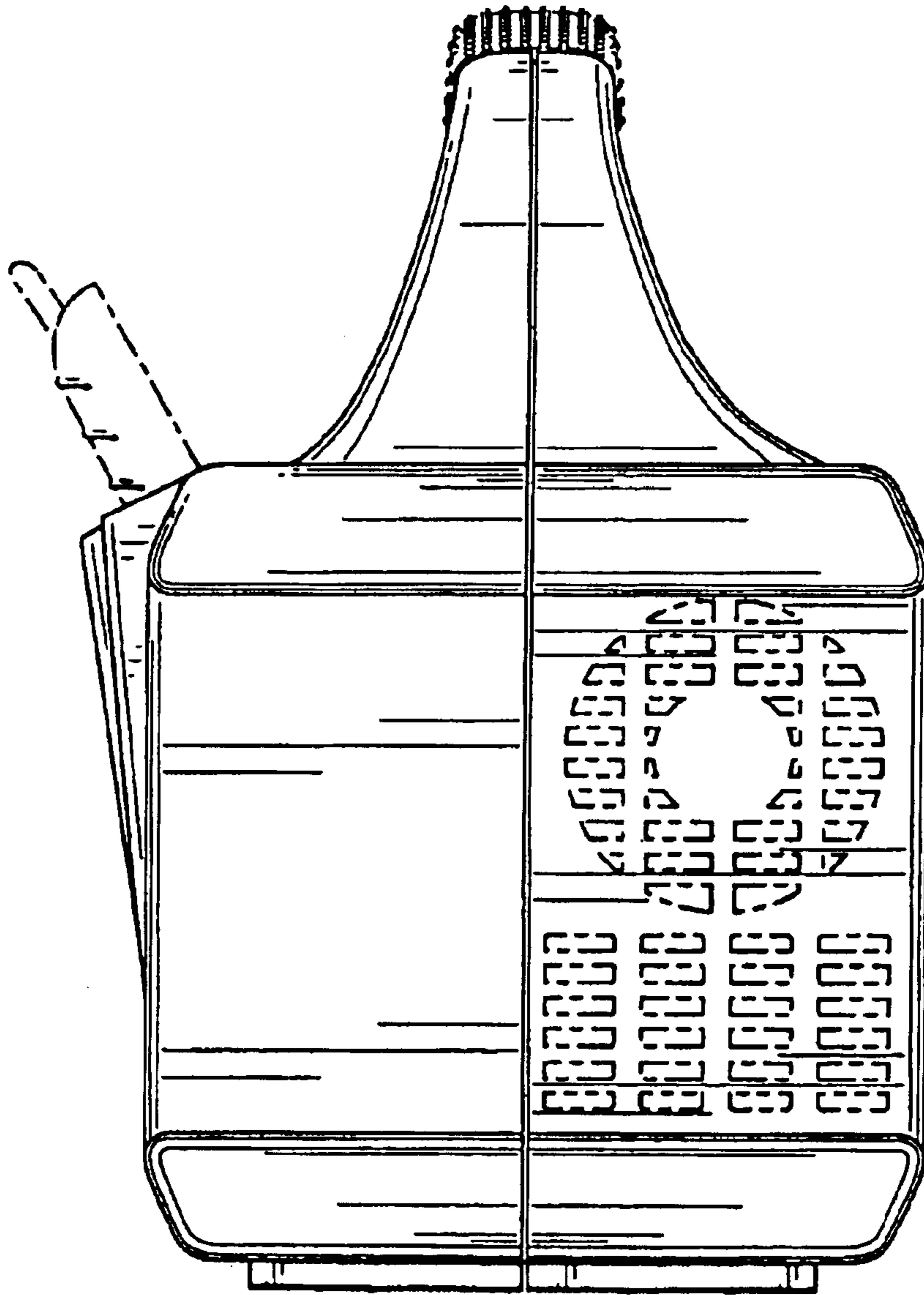


FIG. 4

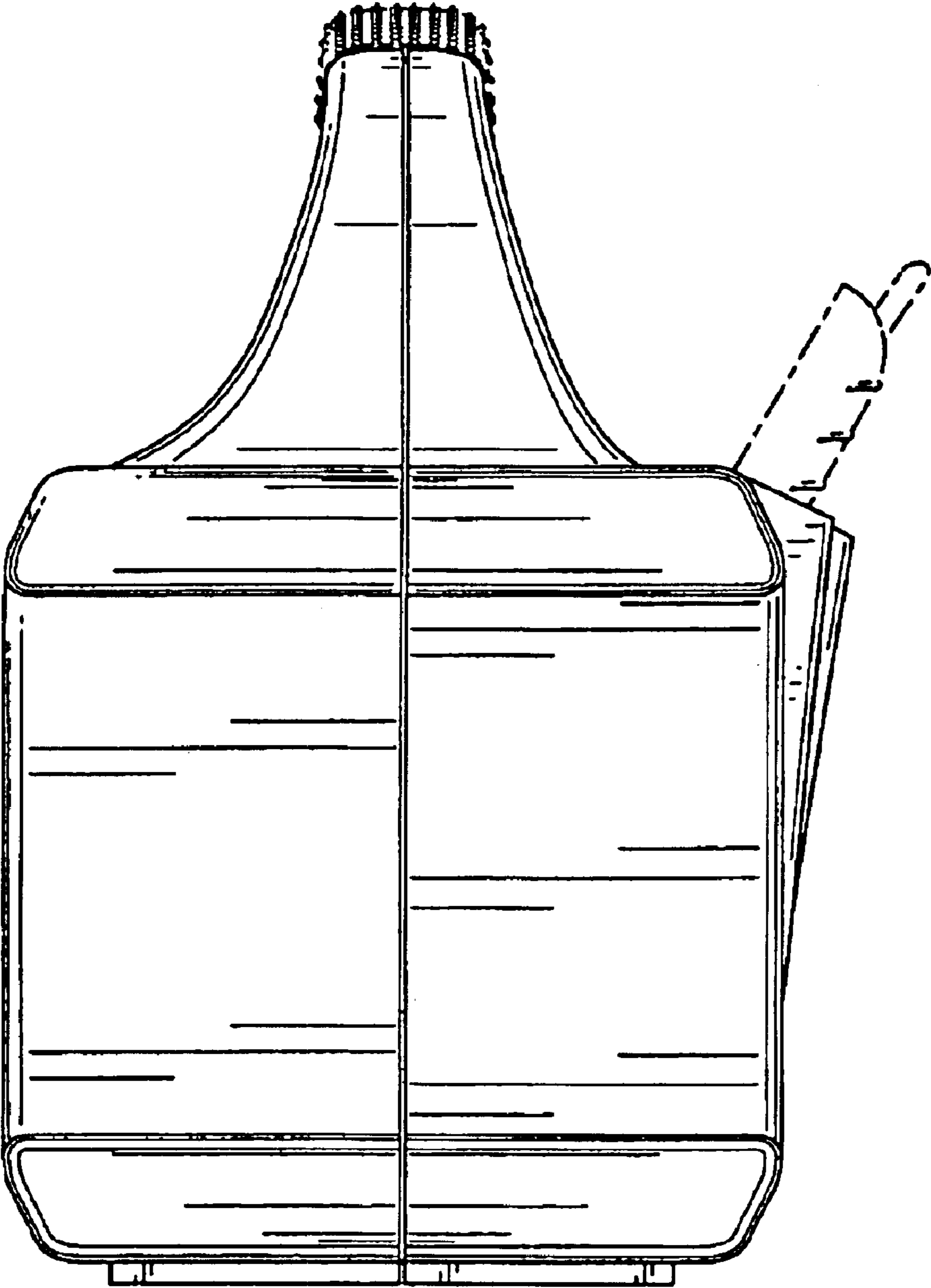


FIG. 5

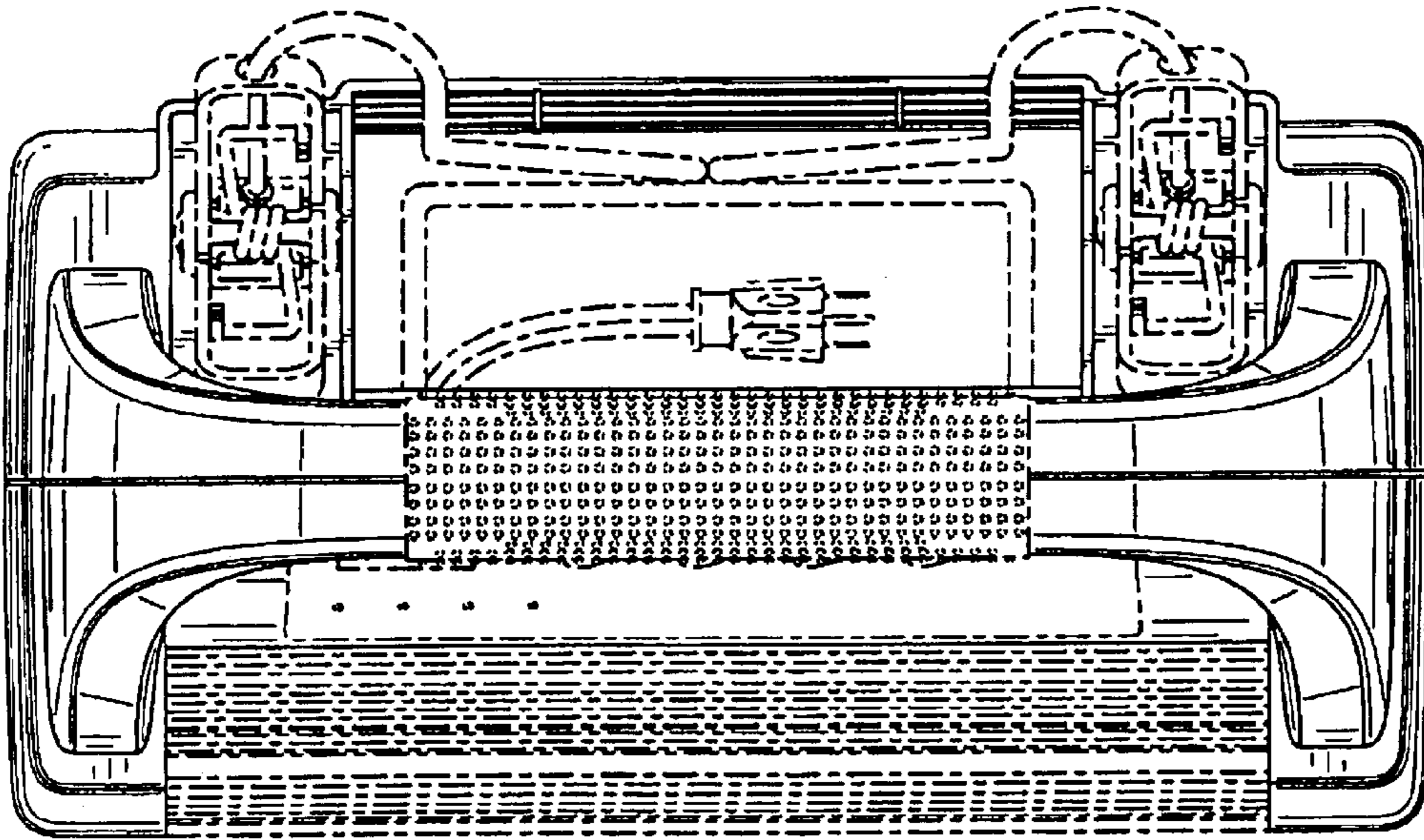


FIG. 6

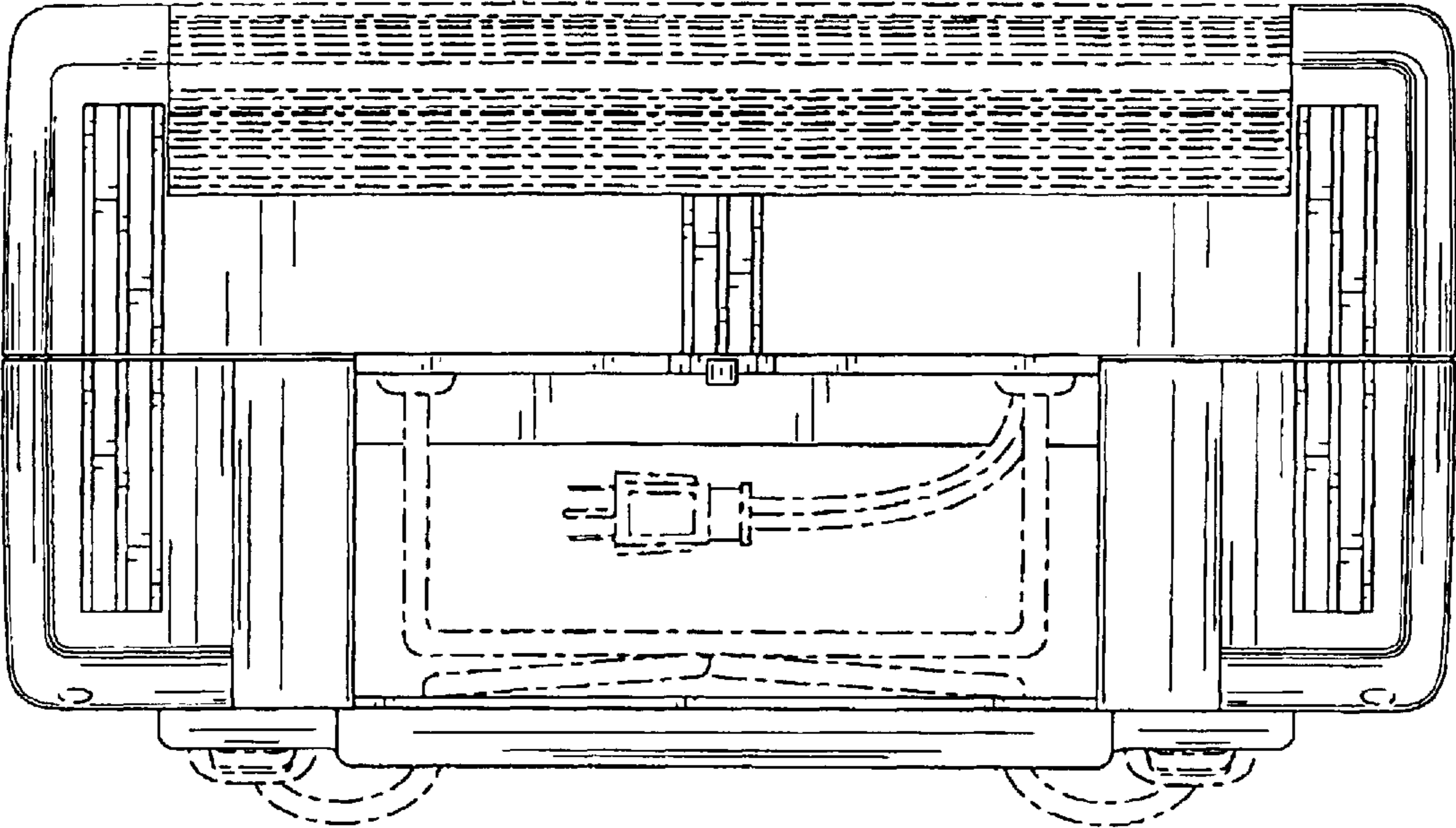


FIG. 7