

US00D506974S

(12) **United States Design Patent**
Li

(10) **Patent No.:** **US D506,974 S**
(45) **Date of Patent:** **** Jul. 5, 2005**

(54) **STARTUP POWER SUPPLY FOR
AUTOMOBILE**

(76) Inventor: **Weiguang Li**, Jianshe 4th Rd., Leliu
Town, Shunde District, Foshan,
Guangdong (CN), 528322

(**) Term: **14 Years**

(21) Appl. No.: **29/197,756**

(22) Filed: **Jan. 20, 2004**

(30) **Foreign Application Priority Data**

Aug. 27, 2003 (CN) 03361716

(51) **LOC (8) Cl.** **13-02**

(52) **U.S. Cl.** **D13/107**

(58) **Field of Search** D3/282; D13/106-108,
D13/110; D14/251, 253; 307/64, 66, 150;
320/104, 105, 107-116, 132

(56) **References Cited**

U.S. PATENT DOCUMENTS

D115,353 S * 6/1939 Thomas D3/308
D301,473 S * 6/1989 Rojc D14/137
5,998,961 A * 12/1999 Brown 320/105
6,267,240 B1 * 7/2001 Callaway 206/373
D449,270 S * 10/2001 Banks et al. D13/107

6,472,846 B1 * 10/2002 Hutchinson et al. 320/114
D483,326 S * 12/2003 Krieger et al. D13/107
D486,446 S * 2/2004 Hriscu et al. D13/110
D491,139 S * 6/2004 Krieger et al. D13/107
D491,140 S * 6/2004 Krieger et al. D13/107
D491,141 S * 6/2004 Krieger et al. D13/107
D493,421 S * 7/2004 Krieger et al. D13/107

* cited by examiner

Primary Examiner—Alan P. Douglas
Assistant Examiner—Rosemary Tarca

(74) *Attorney, Agent, or Firm*—Andrus, Scales, Starke &
Sawall, LLP

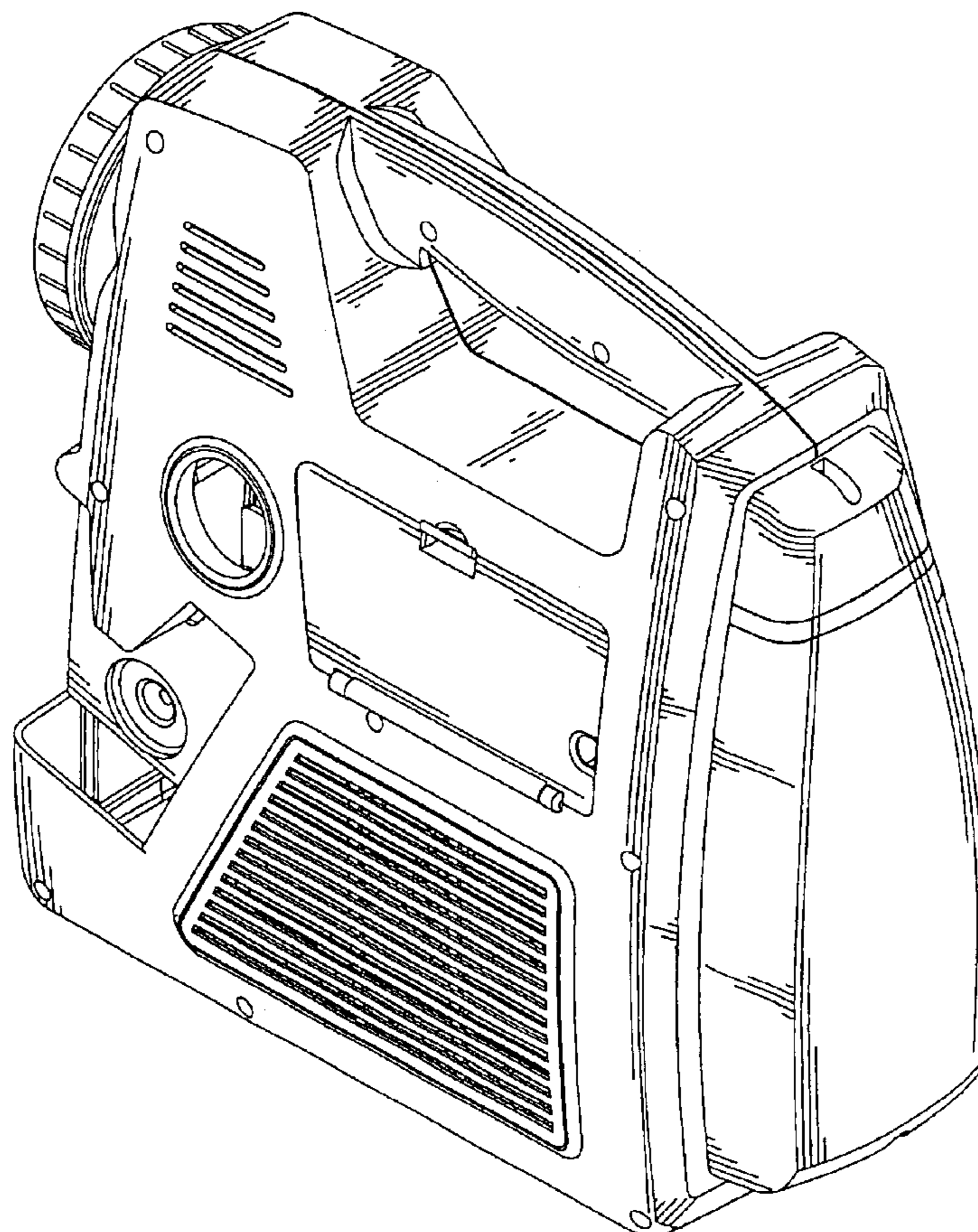
(57) **CLAIM**

I claim the ornamental design for a startup power supply for
automobile, as shown.

DESCRIPTION

FIG. 1 is a perspective view of a startup power supply for
automobile showing my new design;
FIG. 2 is a front elevational view thereof;
FIG. 3 is a rear elevational view thereof;
FIG. 4 is a left side elevational view thereof;
FIG. 5 is a right side elevational view thereof;
FIG. 6 is a top plan view thereof; and,
FIG. 7 is a bottom plan view thereof.

1 Claim, 6 Drawing Sheets



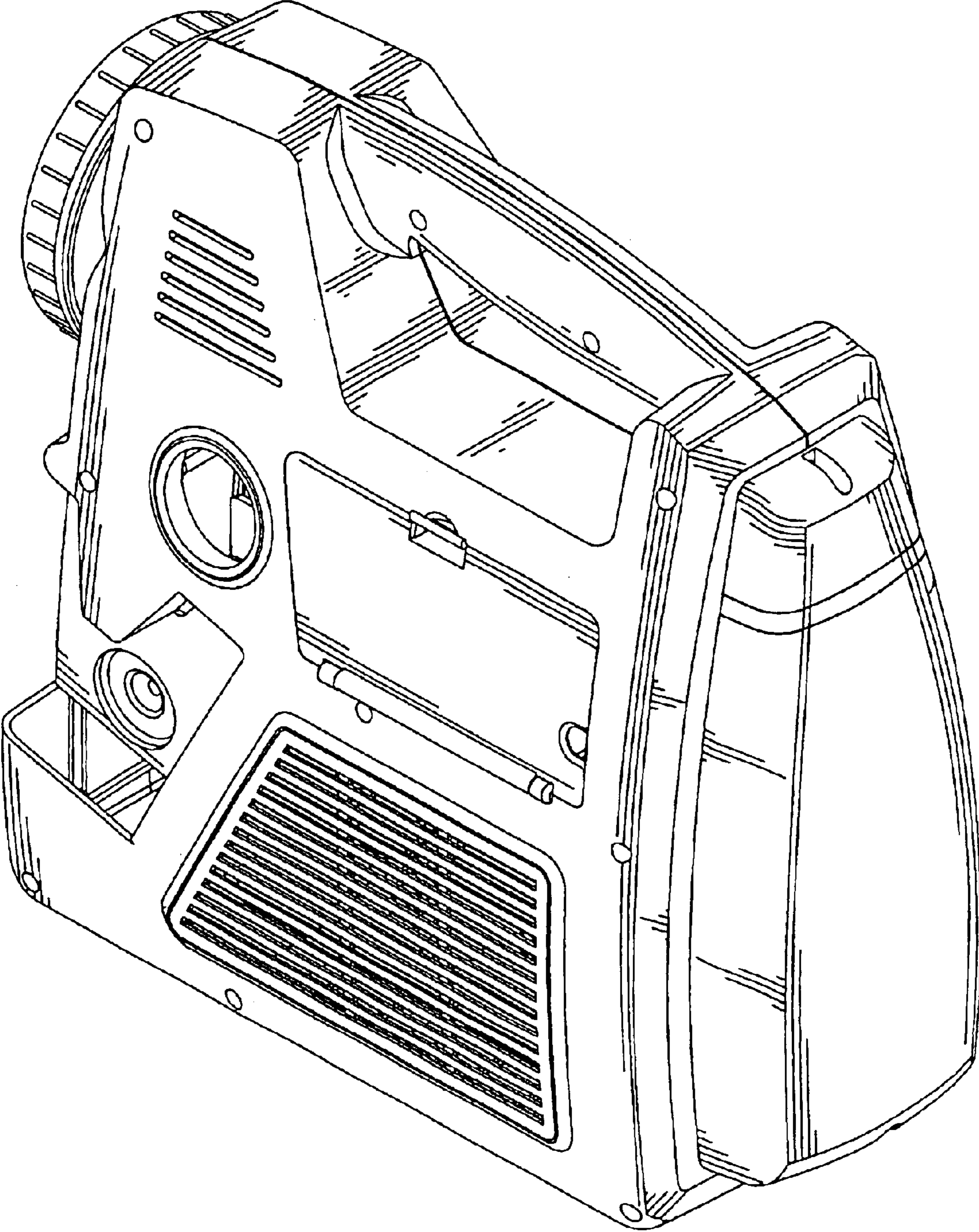


FIG. 1

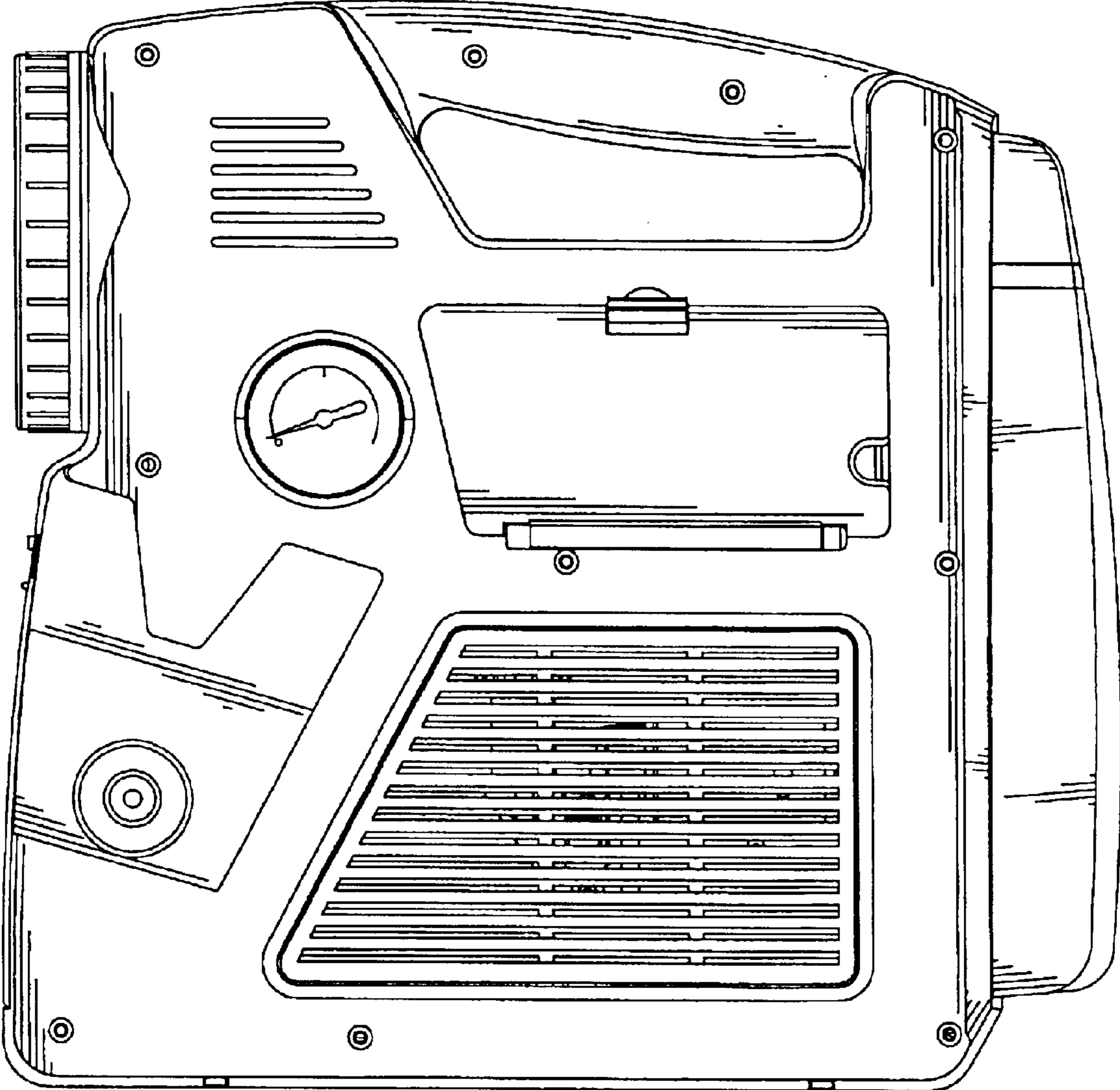


FIG. 2

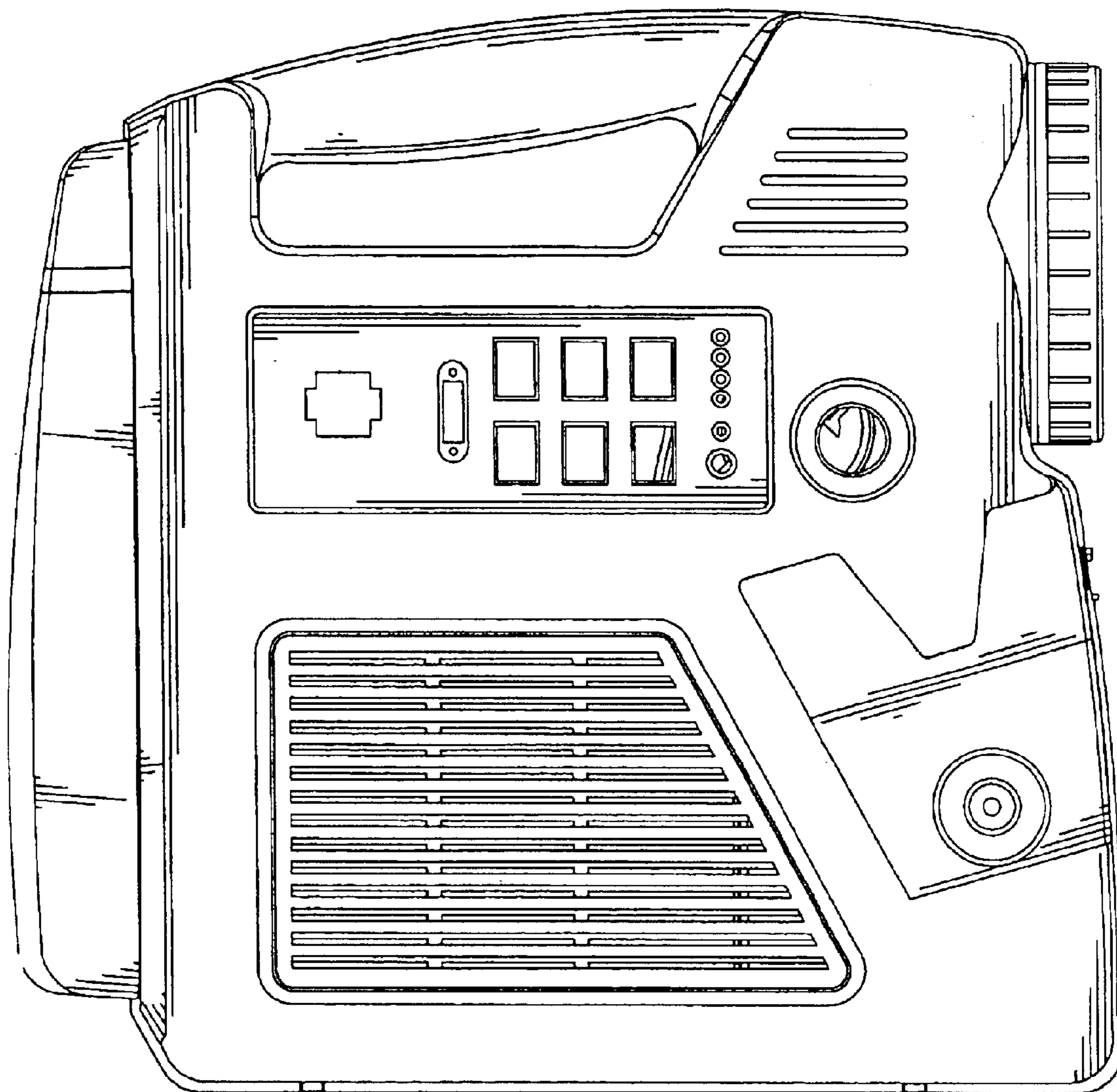


FIG. 3

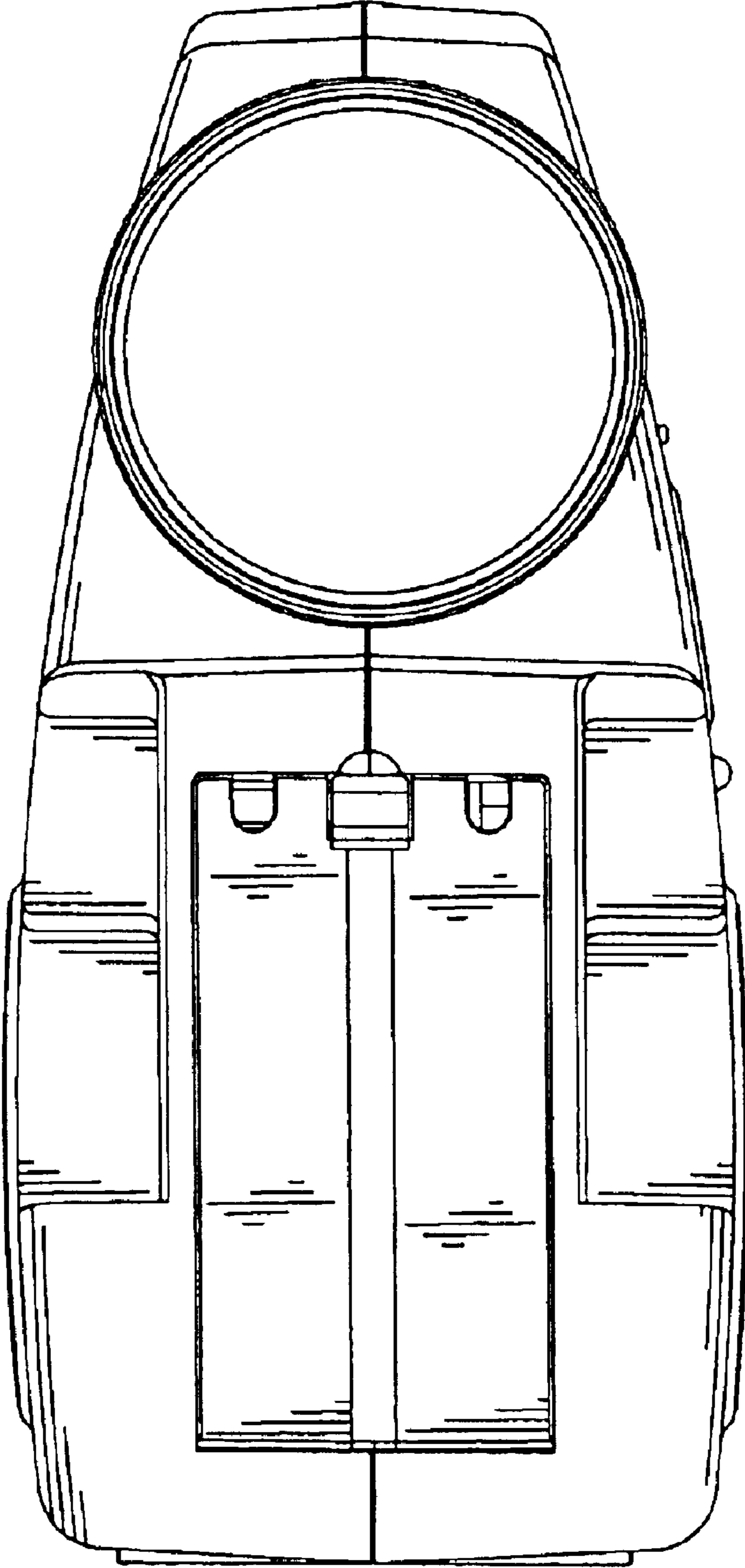


FIG. 4

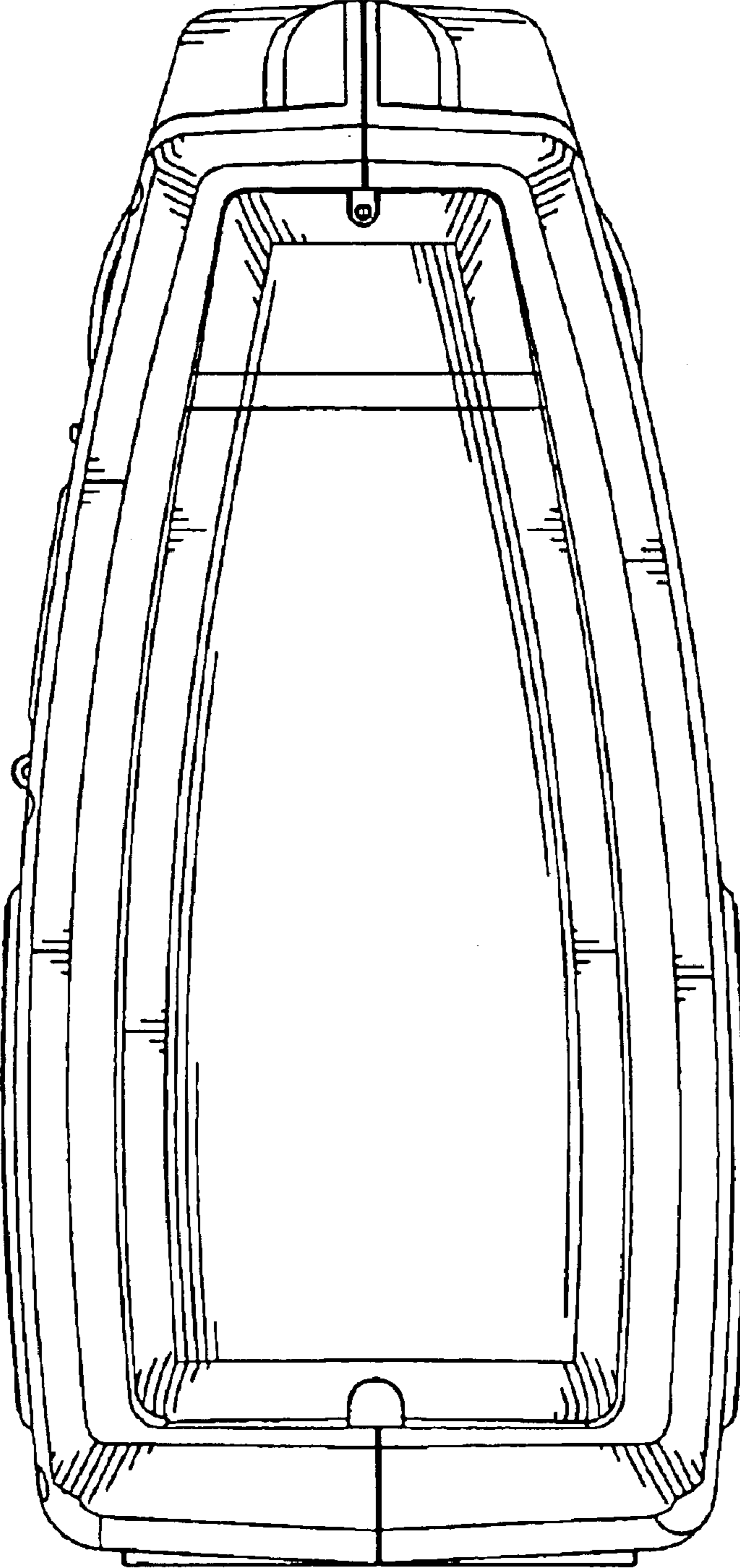


FIG. 5

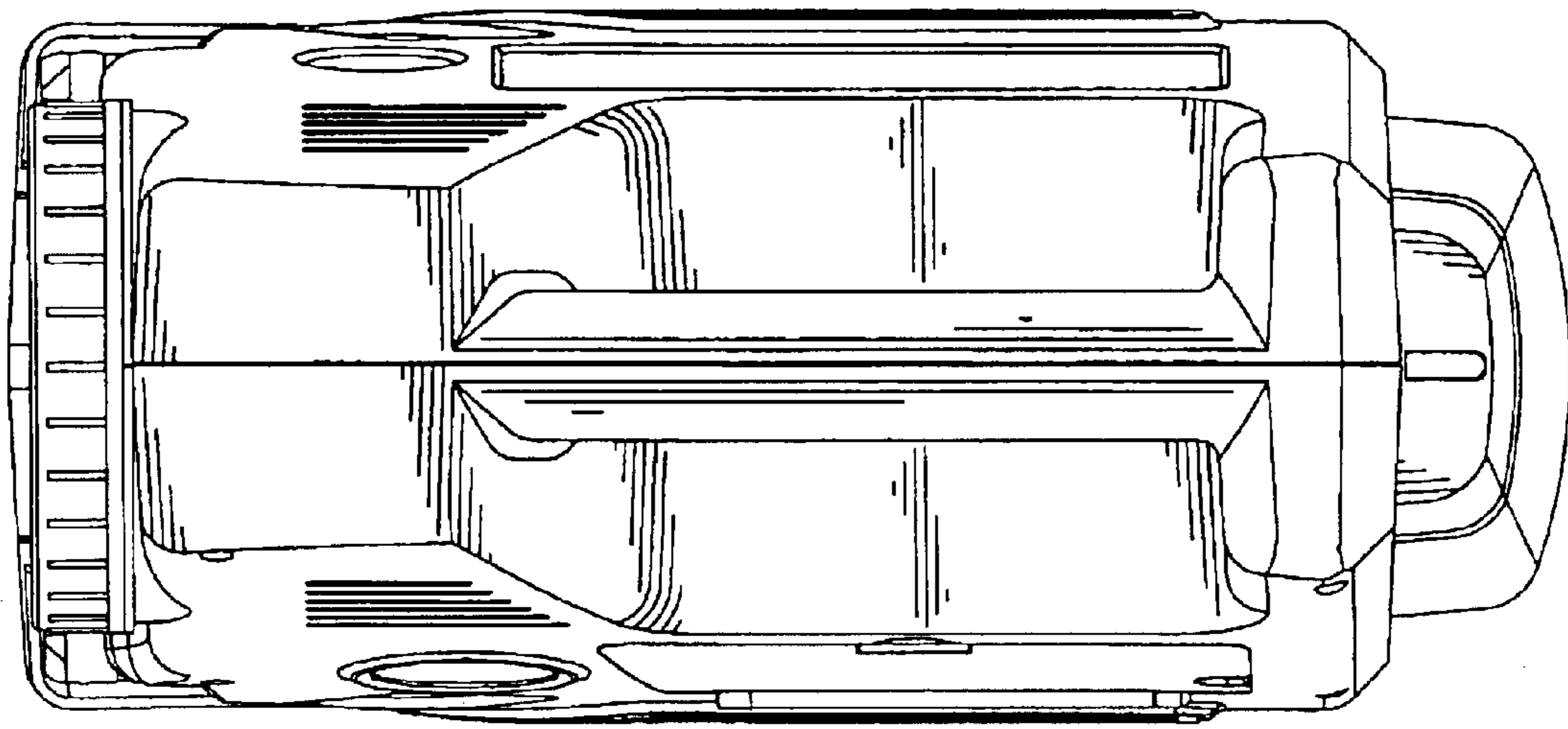


FIG. 6

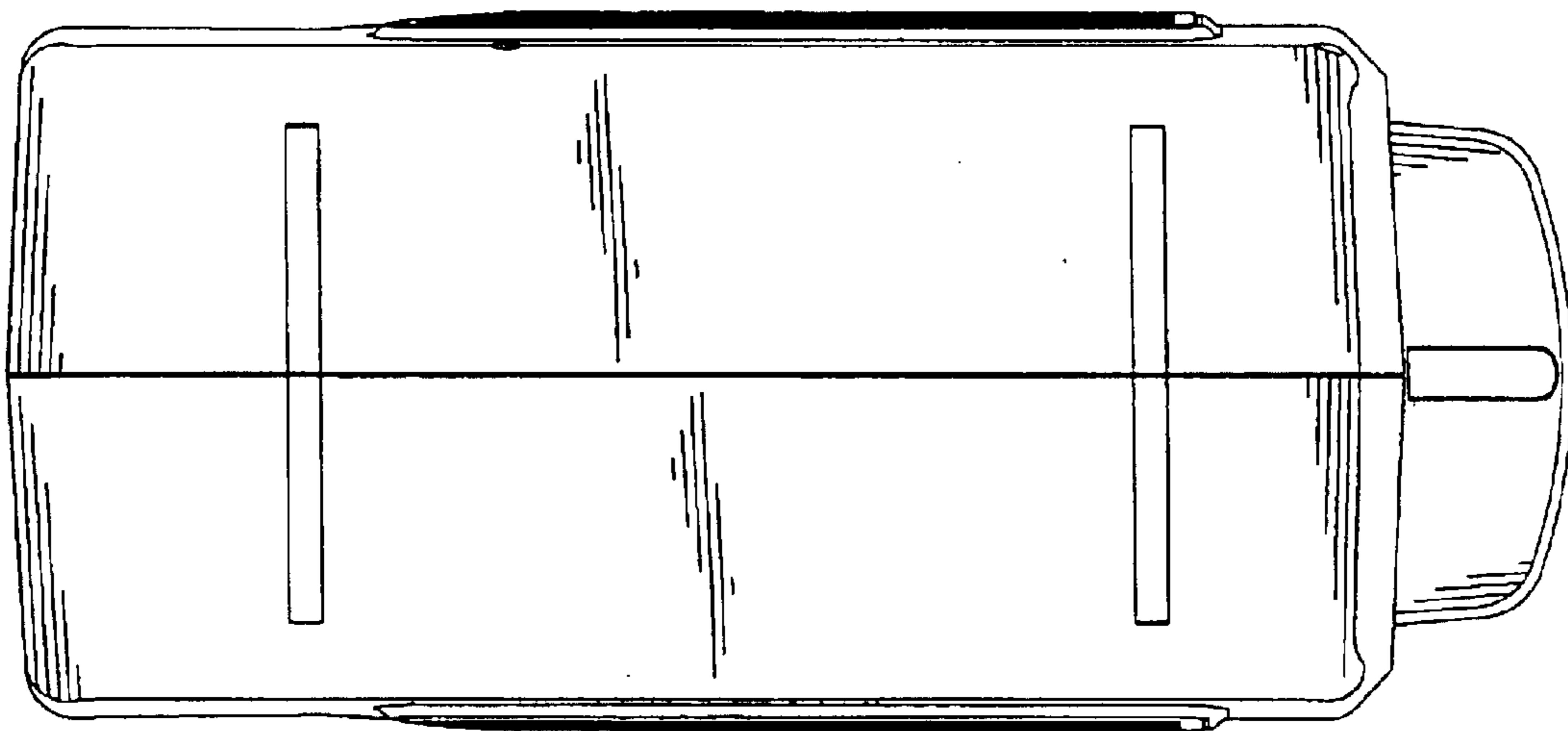


FIG. 7