

US00D506972S

(12) **United States Design Patent**  
**Parel et al.**

(10) **Patent No.:** **US D506,972 S**  
(45) **Date of Patent:** **\*\* Jul. 5, 2005**

(54) **CHARGER**  
(75) Inventors: **Thomas Matthew Parel**, Anderson, SC  
(US); **Thomas Kam Kee Wong**,  
Kowloon (HK)  
(73) Assignee: **One World Technologies, Limited**,  
Hamilton (BM)  
(\*\*) Term: **14 Years**  
(21) Appl. No.: **29/188,082**  
(22) Filed: **Aug. 11, 2003**  
(51) **LOC (8) Cl.** ..... **13-02**  
(52) **U.S. Cl.** ..... **D13/107**  
(58) **Field of Search** ..... D13/107-110,  
D13/118, 184; D14/251, 253, 432, 434;  
D16/219, 237, 242; 320/107-115

5,810,168 A 9/1998 Eggering ..... 455/344 X  
D400,165 S 10/1998 Nagele et al. .... D13/108  
D418,836 S 1/2000 Matt ..... D14/196  
6,014,011 A 1/2000 DeFilice ..... 455/244  
6,215,276 B1 4/2001 Smith ..... 320/112 X  
D441,267 S 5/2001 Heun ..... D8/61  
D443,491 S 6/2001 Robson ..... D8/61  
D444,451 S 7/2001 Bailey ..... D14/168 X  
D453,731 S 2/2002 Hauptli ..... D13/108  
6,346,793 B1 \* 2/2002 Shibata et al. .... 320/113  
D460,412 S \* 7/2002 Nawrozki ..... D13/107  
6,427,070 B1 7/2002 Smith ..... 455/344 X  
6,456,837 B1 9/2002 Domes ..... 455/344  
D472,875 S \* 4/2003 Garvis et al. .... D13/107  
D487,570 S \* 3/2004 Ito et al. .... D13/107  
2003/0178968 A1 \* 9/2003 Sakakibara et al. .... 320/110  
2004/0135542 A1 \* 7/2004 Ito ..... 320/107

\* cited by examiner

*Primary Examiner*—Alan P. Douglas  
*Assistant Examiner*—Rosemary Tarca  
(74) *Attorney, Agent, or Firm*—Stephen J. Shaw; Nexsen  
Pruet, LLC

(56) **References Cited**

**U.S. PATENT DOCUMENTS**

D278,426 S \* 4/1985 Lanci et al. .... D13/107  
4,571,740 A 2/1986 Kirby et al. .... 455/344  
D295,601 S 5/1988 Svetlik ..... D8/61  
D298,119 S \* 10/1988 Richards et al. .... D13/108  
D298,230 S \* 10/1988 Lay ..... D13/107  
4,803,341 A 2/1989 Barowski et al. .... 219/222  
D303,107 S 8/1989 Maglica et al. .... D13/6  
D304,543 S 11/1989 Somers et al. .... D8/61  
D322,205 S 12/1991 Liu ..... D8/61  
D325,503 S 4/1992 Kikuchi et al. .... D8/61  
D348,461 S 7/1994 Peersmann ..... D14/196 X  
D349,485 S \* 8/1994 Richards et al. .... D13/107  
D354,168 S 1/1995 Hartwein ..... D4/108  
D367,651 S \* 3/1996 Hellier et al. .... D14/149  
5,525,889 A 6/1996 Chan et al. .... 320/2  
5,742,149 A \* 4/1998 Simpson ..... 320/113  
5,780,991 A \* 7/1998 Brake et al. .... 320/112

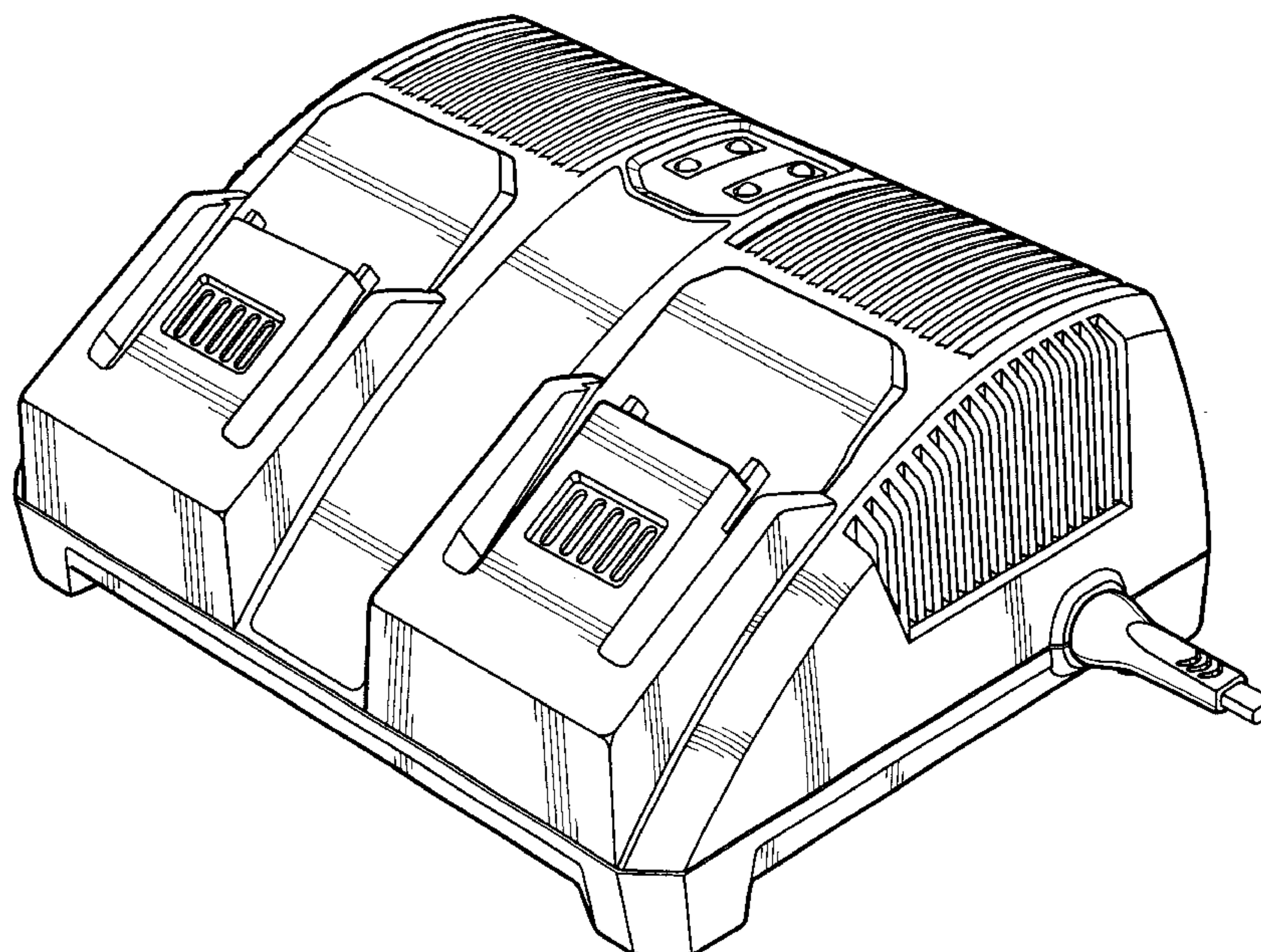
(57) **CLAIM**

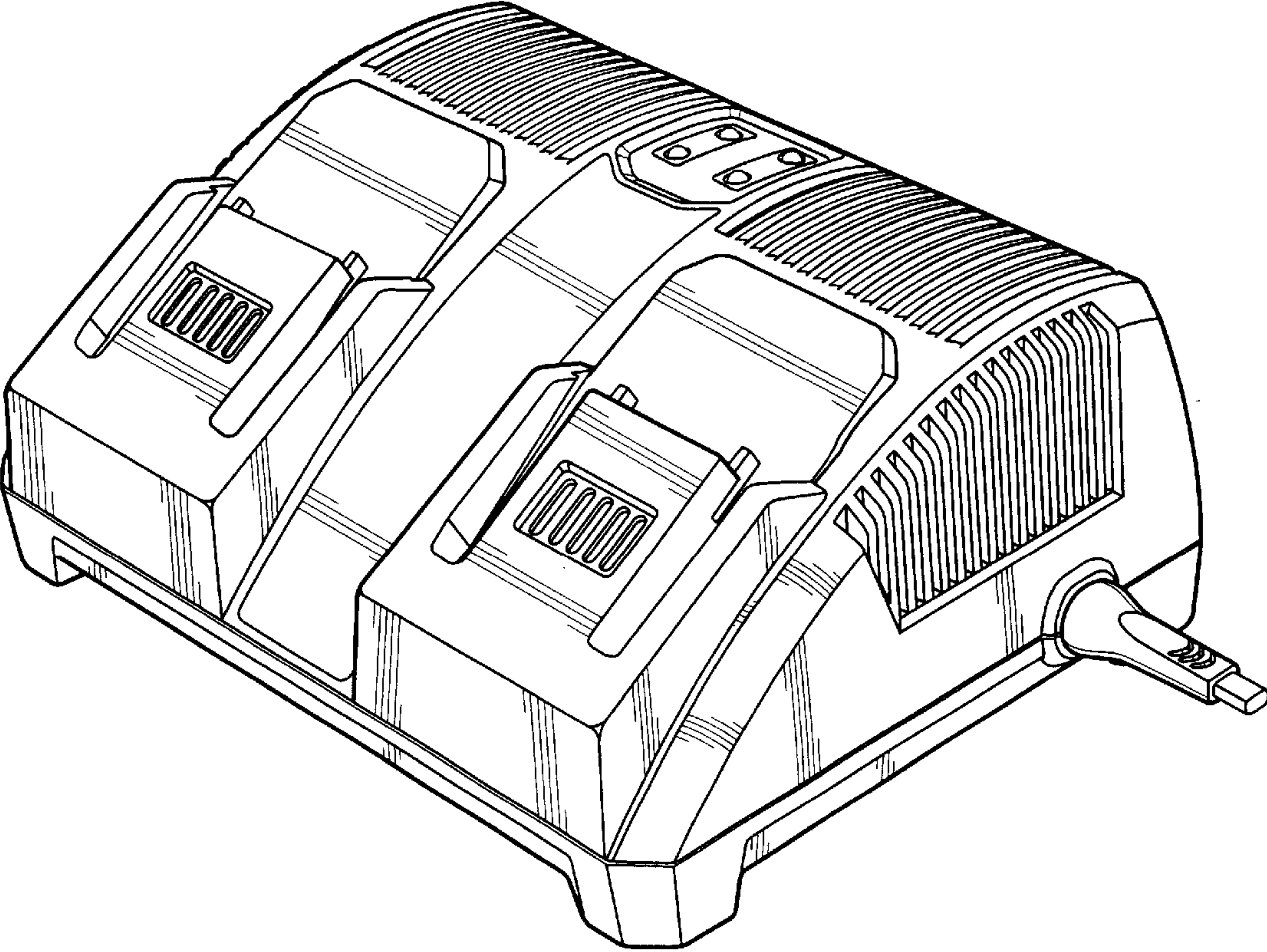
The ornamental design for a charger, as shown and described.

**DESCRIPTION**

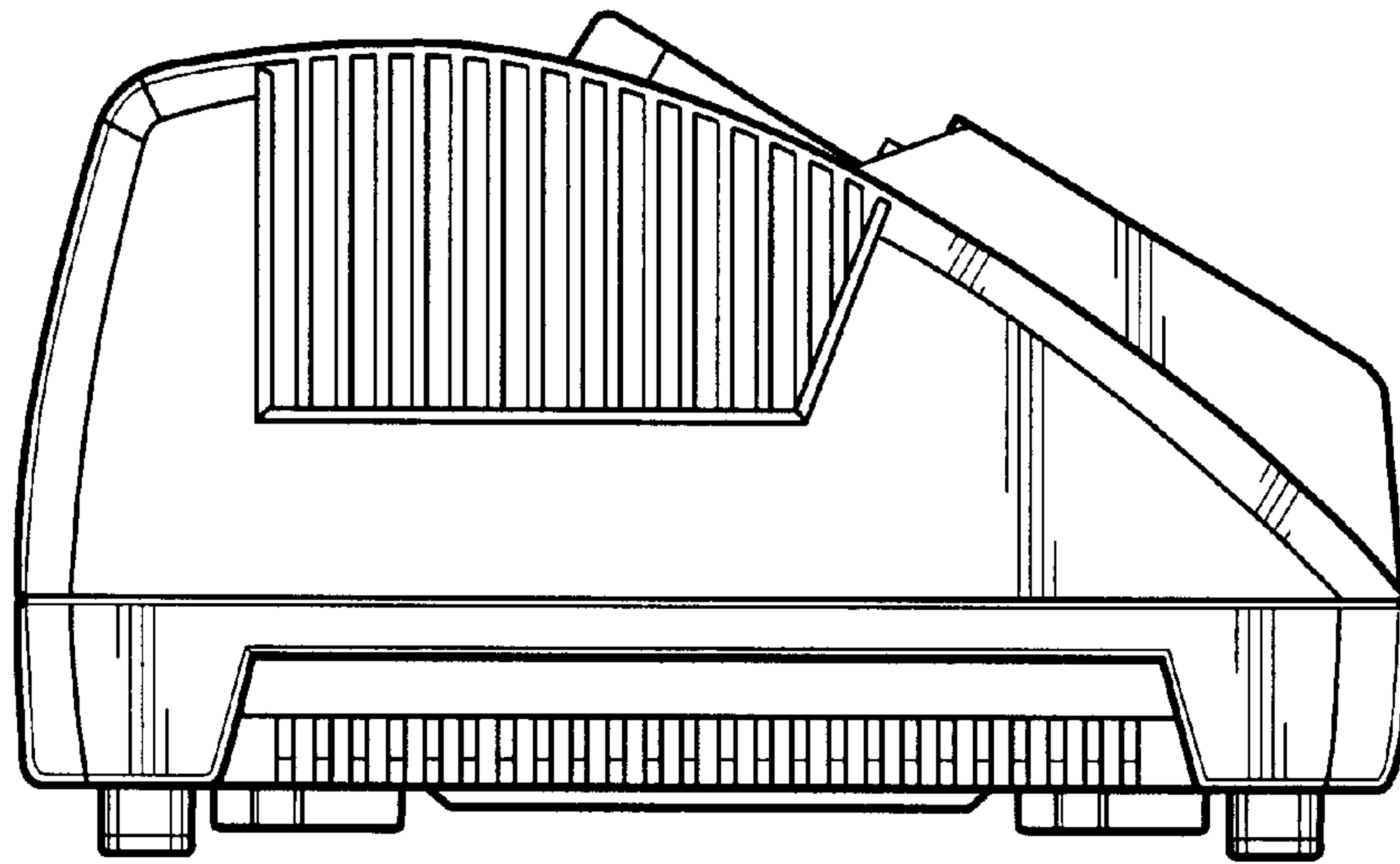
FIG. 1 is a front perspective view of the charger of the present invention;  
FIG. 2 is a right side elevational view thereof;  
FIG. 3 is a left side elevational view thereof;  
FIG. 4 is a front end view thereof;  
FIG. 5 is a rear end view thereof;  
FIG. 6 is a top view thereof; and,  
FIG. 7 is a bottom view thereof.

**1 Claim, 4 Drawing Sheets**

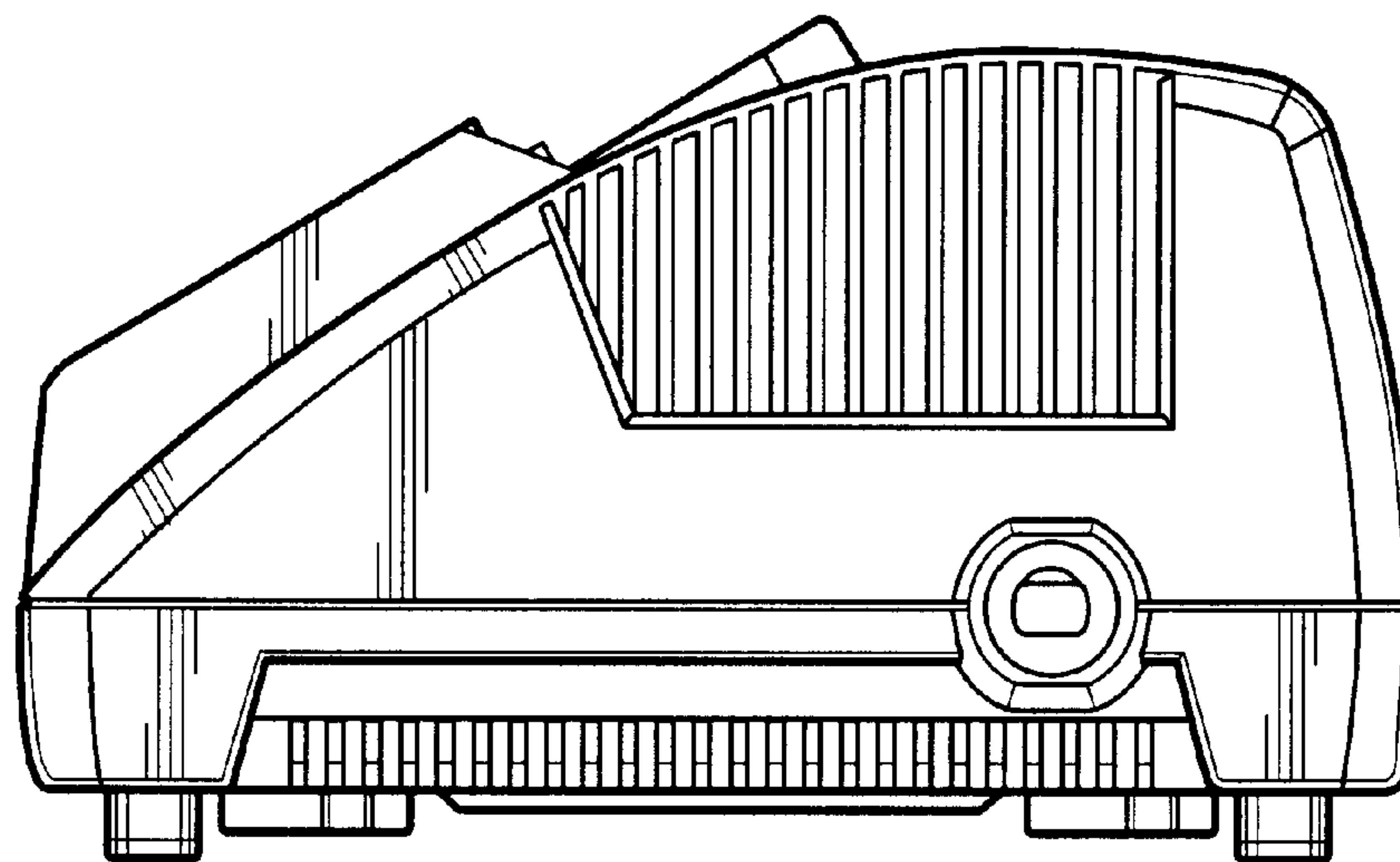




**FIG. 1**



**FIG. 2**



**FIG. 3**



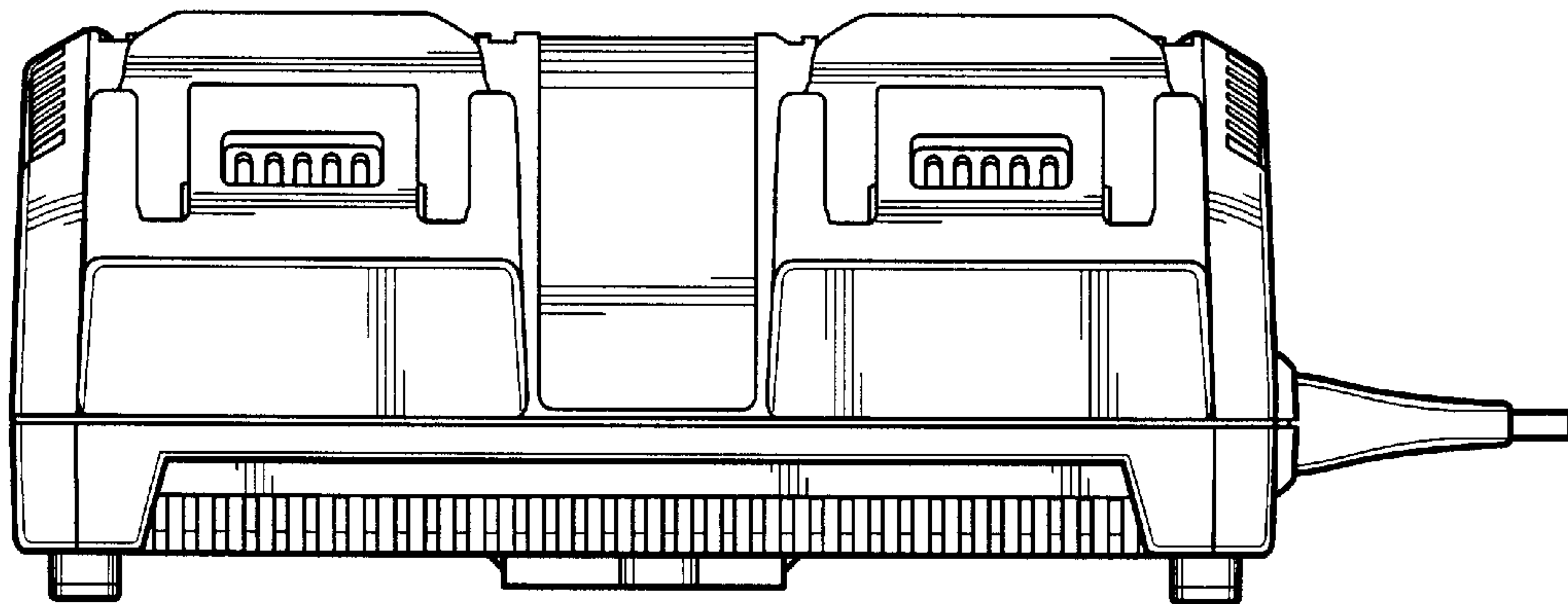


FIG. 4

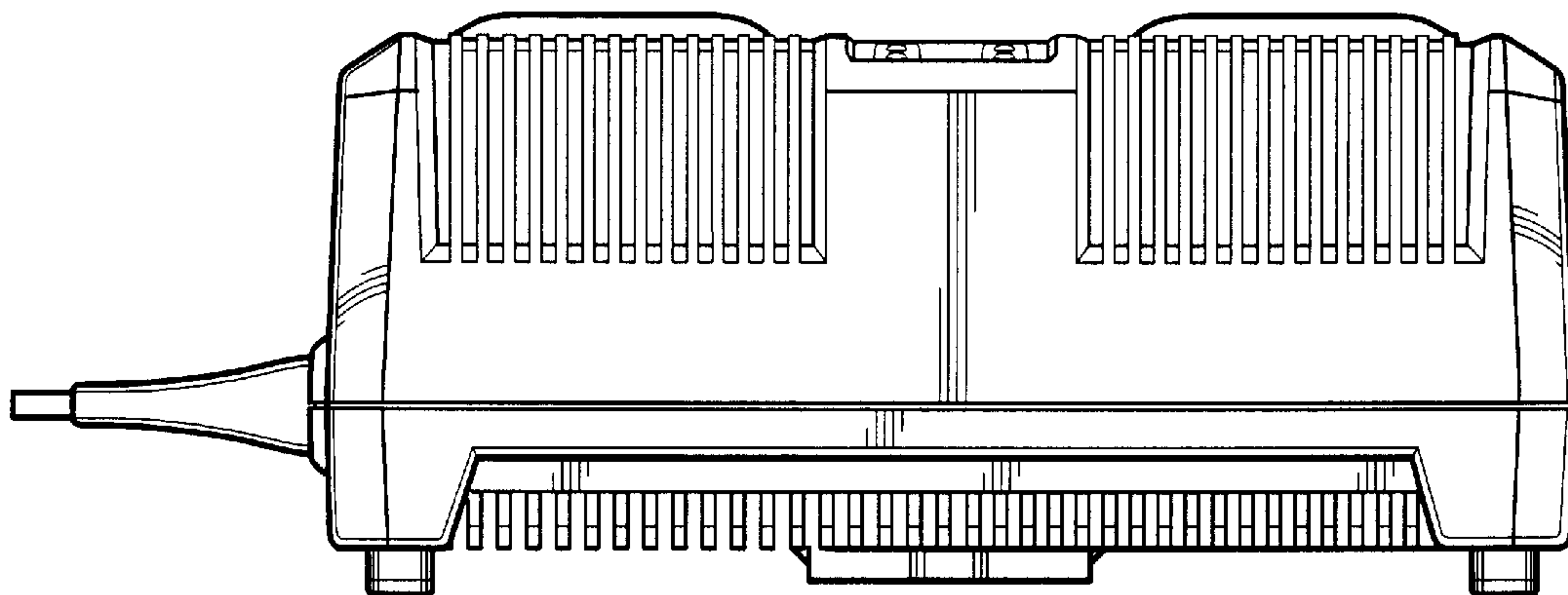
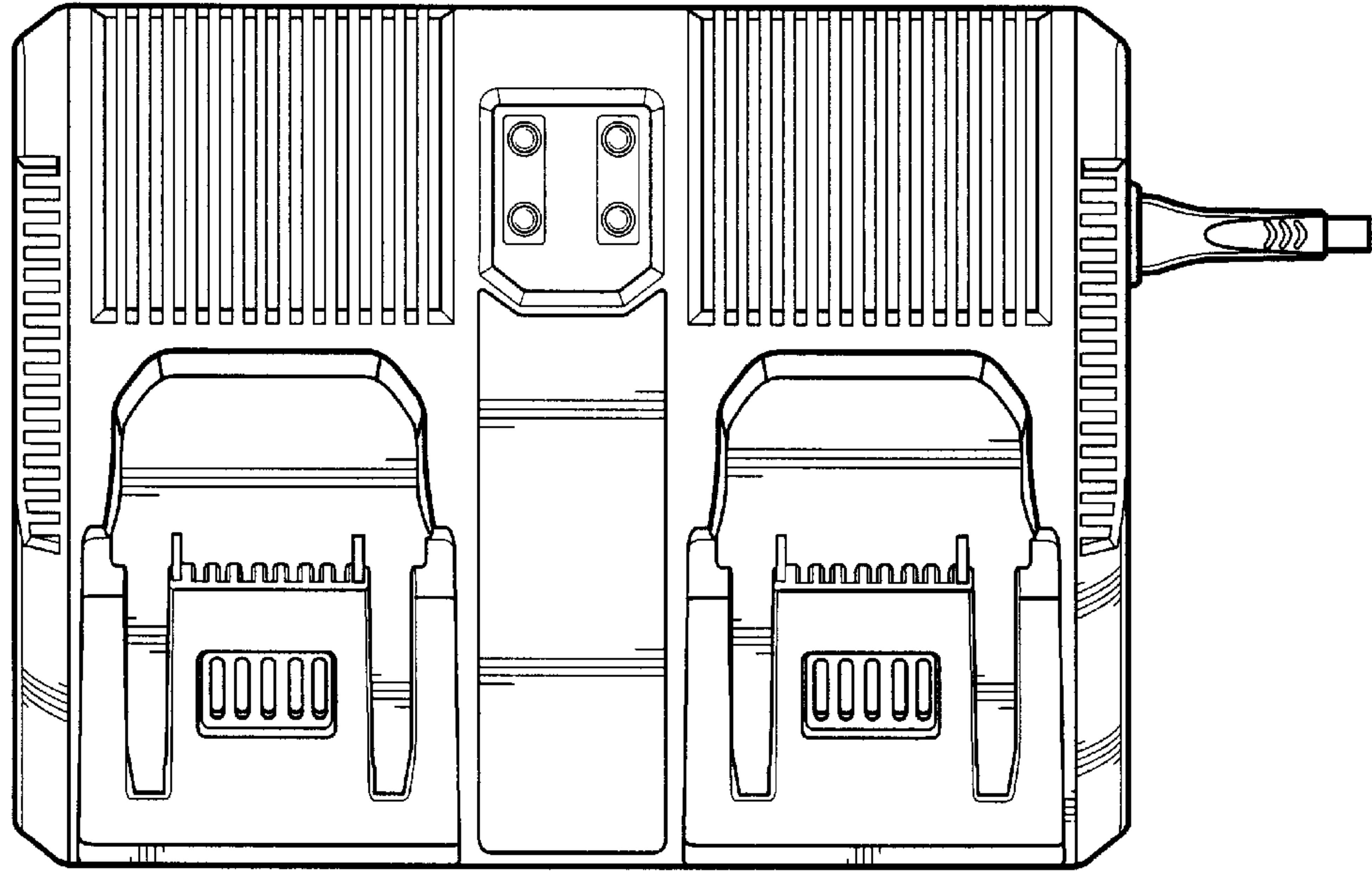
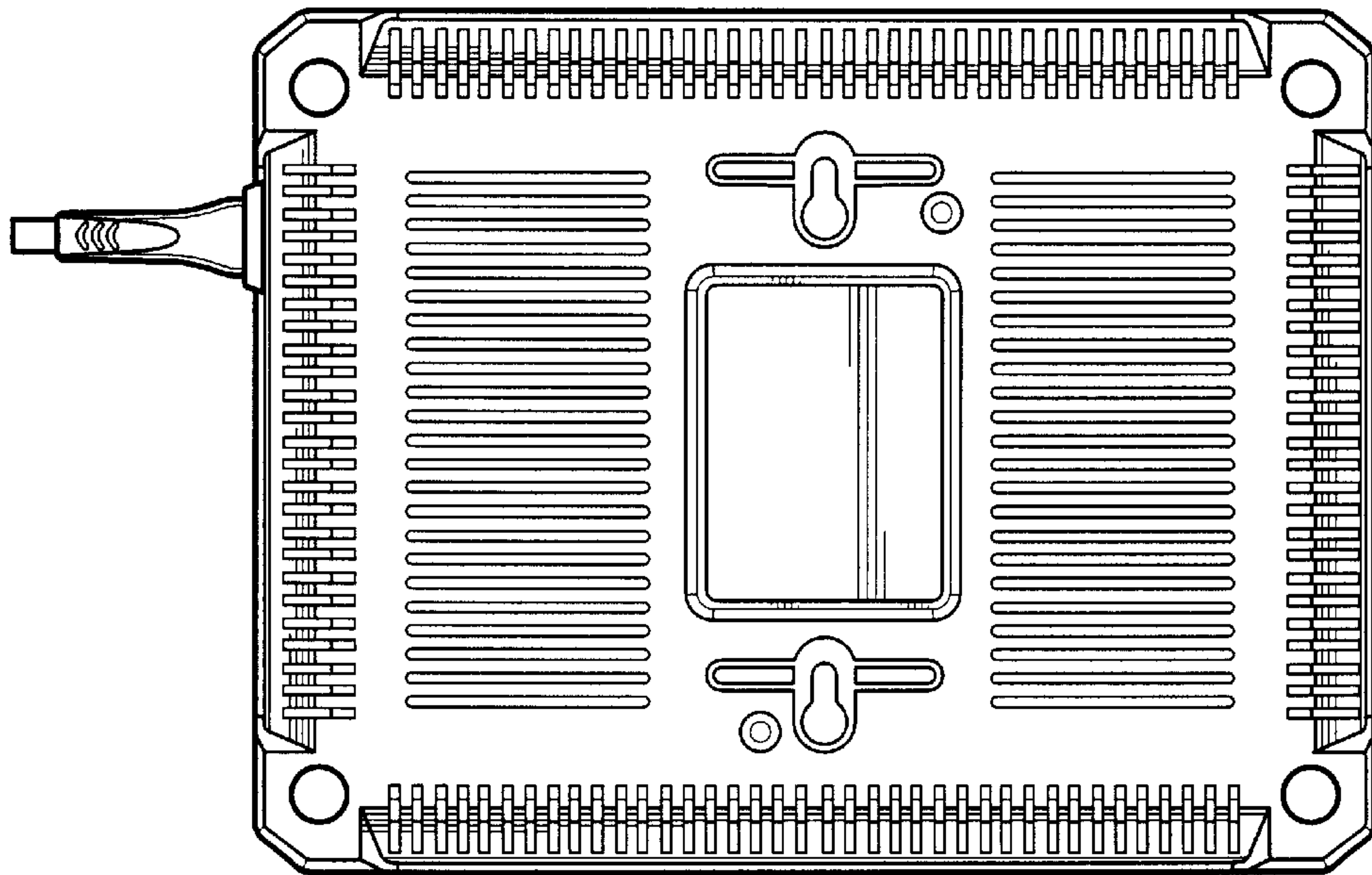


FIG. 5



**FIG. 6**



**FIG. 7**