

US00D506968S

(12) **United States Design Patent**
Berardino et al.

(10) **Patent No.: US D506,968 S**
(45) **Date of Patent: ** Jul. 5, 2005**

(54) **SADDLE BAG FOR A MOTORCYCLE**

(76) Inventors: **Dino Berardino**, 1371 Missouri St.,
San Diego, CA (US) 92039; **George H. Ayoub**,
3558 Hancock St., San Diego, CA (US) 92110

(**) Term: **14 Years**

(21) Appl. No.: **29/180,622**

(22) Filed: **Apr. 25, 2003**

(51) **LOC (8) Cl.** **12-16**

(52) **U.S. Cl.** **D12/410**

(58) **Field of Search** D12/110, 407-410;
D3/272, 273, 276, 281, 282; 180/219; 190/124-126;
224/400-425, 428-438

(56) **References Cited**

U.S. PATENT DOCUMENTS

D262,103 S	12/1981	Beaubien et al.	
6,223,960 B1	5/2001	Powell et al.	
D461,761 S	* 8/2002	Monson D12/410
D465,762 S	11/2002	Wargin et al.	
6,499,638 B2	12/2002	Campbell	

OTHER PUBLICATIONS

Photographs of Harley-Davidson Saddlebag, exact date and model number unknown.

* cited by examiner

Primary Examiner—Alan P. Douglas

Assistant Examiner—Linda Brooks

(74) *Attorney, Agent, or Firm*—Procopio Cory Hargreaves & Savitch LLP

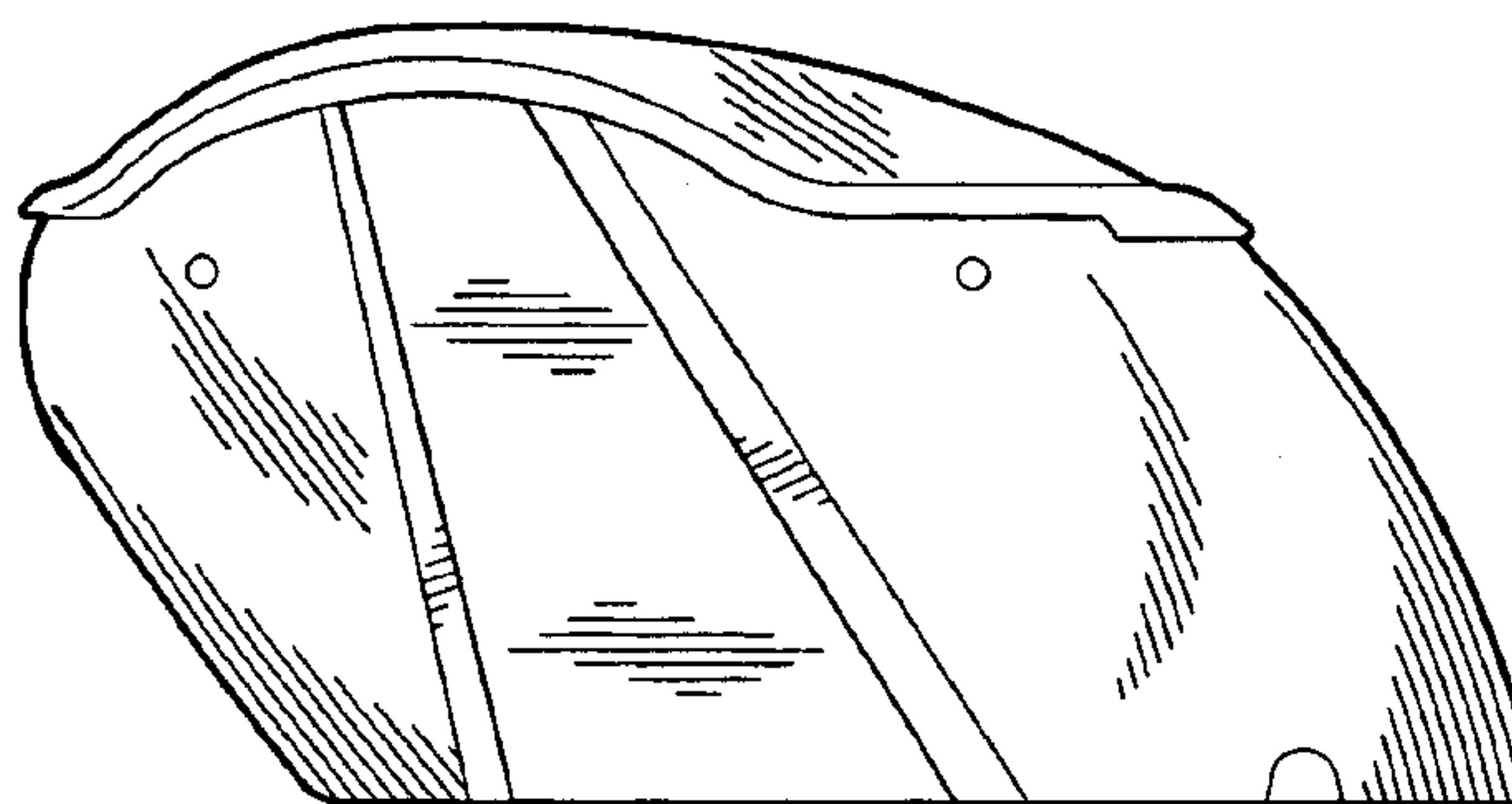
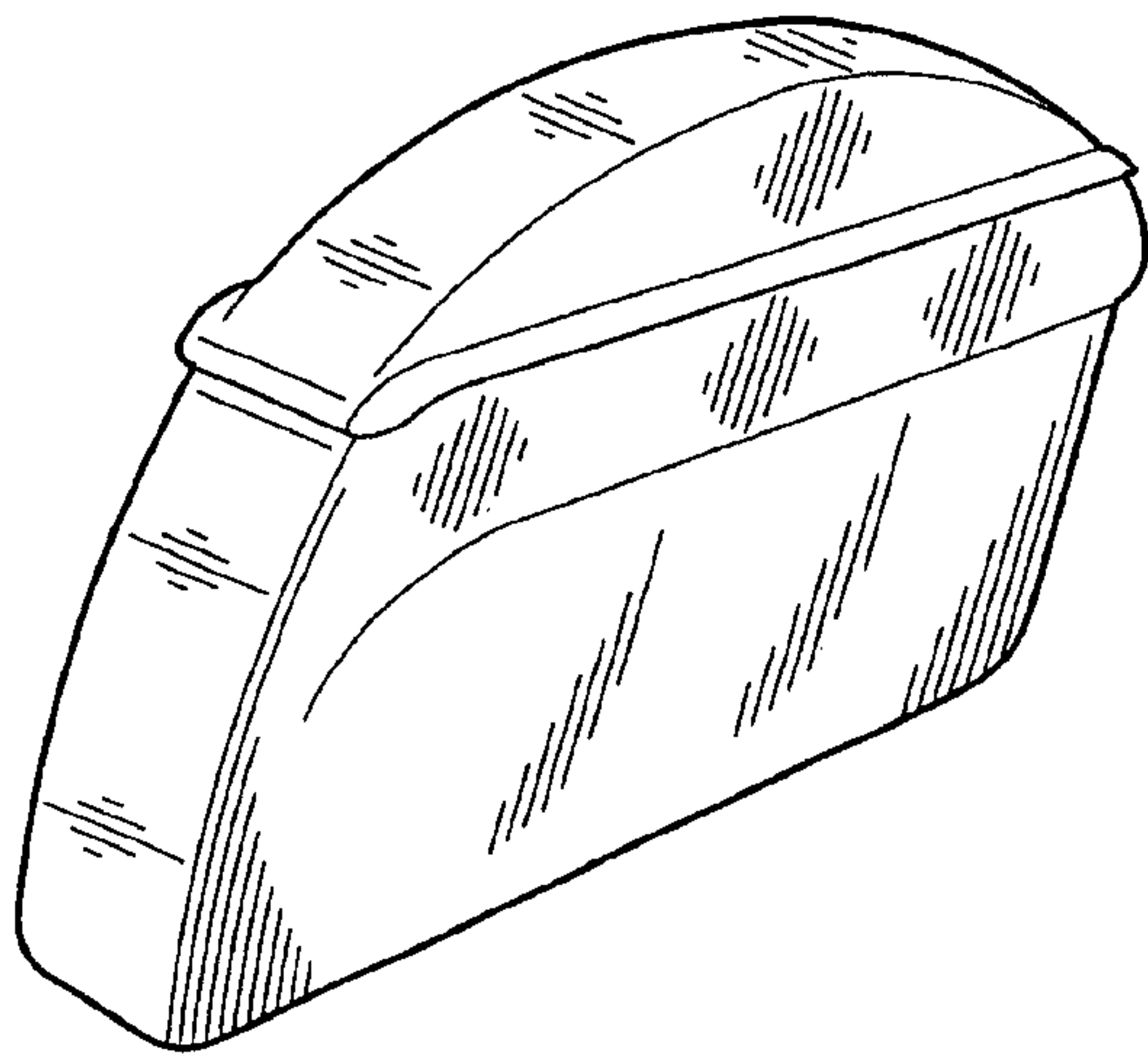
(57) **CLAIM**

The ornamental design for a saddle bag for a motorcycle, as shown.

DESCRIPTION

FIG. 1 is a right rear perspective view of a saddle bag for a motorcycle, showing my new design;
FIG. 2 is a left side elevational view thereof;
FIG. 3 is a right side elevational view thereof;
FIG. 4 is a rear end view thereof;
FIG. 5 is a top plan view thereof; and,
FIG. 6 is a bottom plan view thereof.

1 Claim, 2 Drawing Sheets



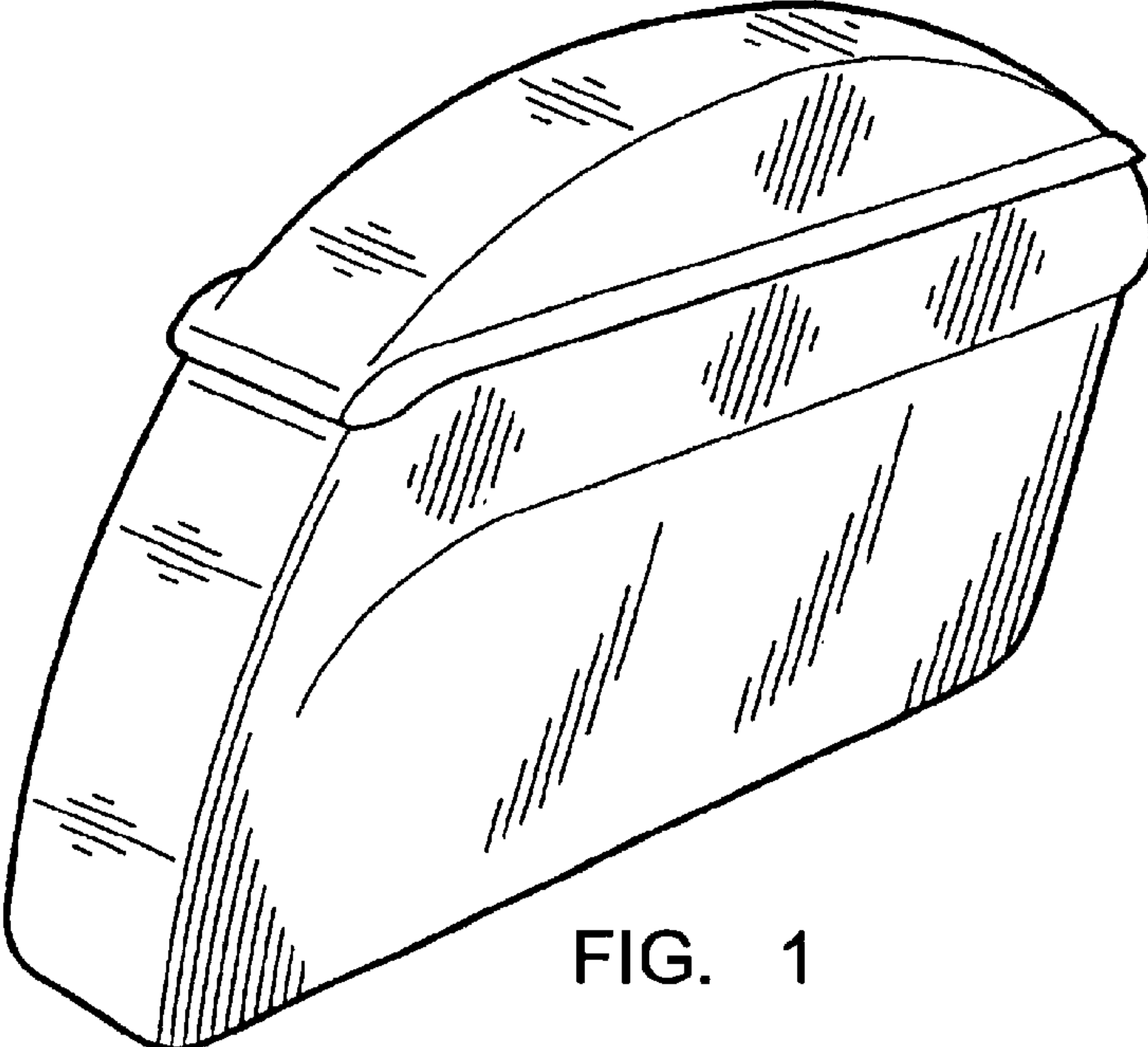


FIG. 1

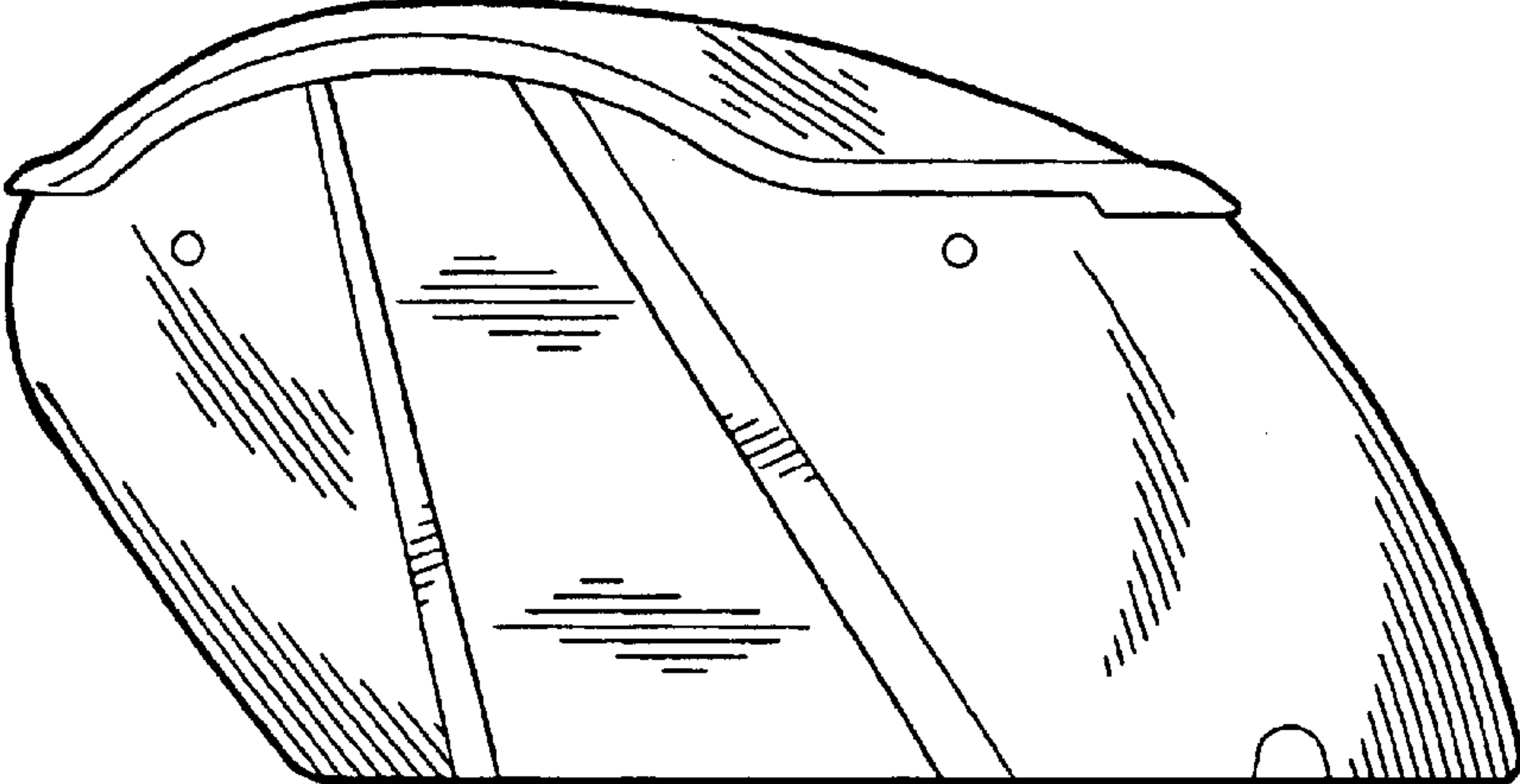


FIG. 2

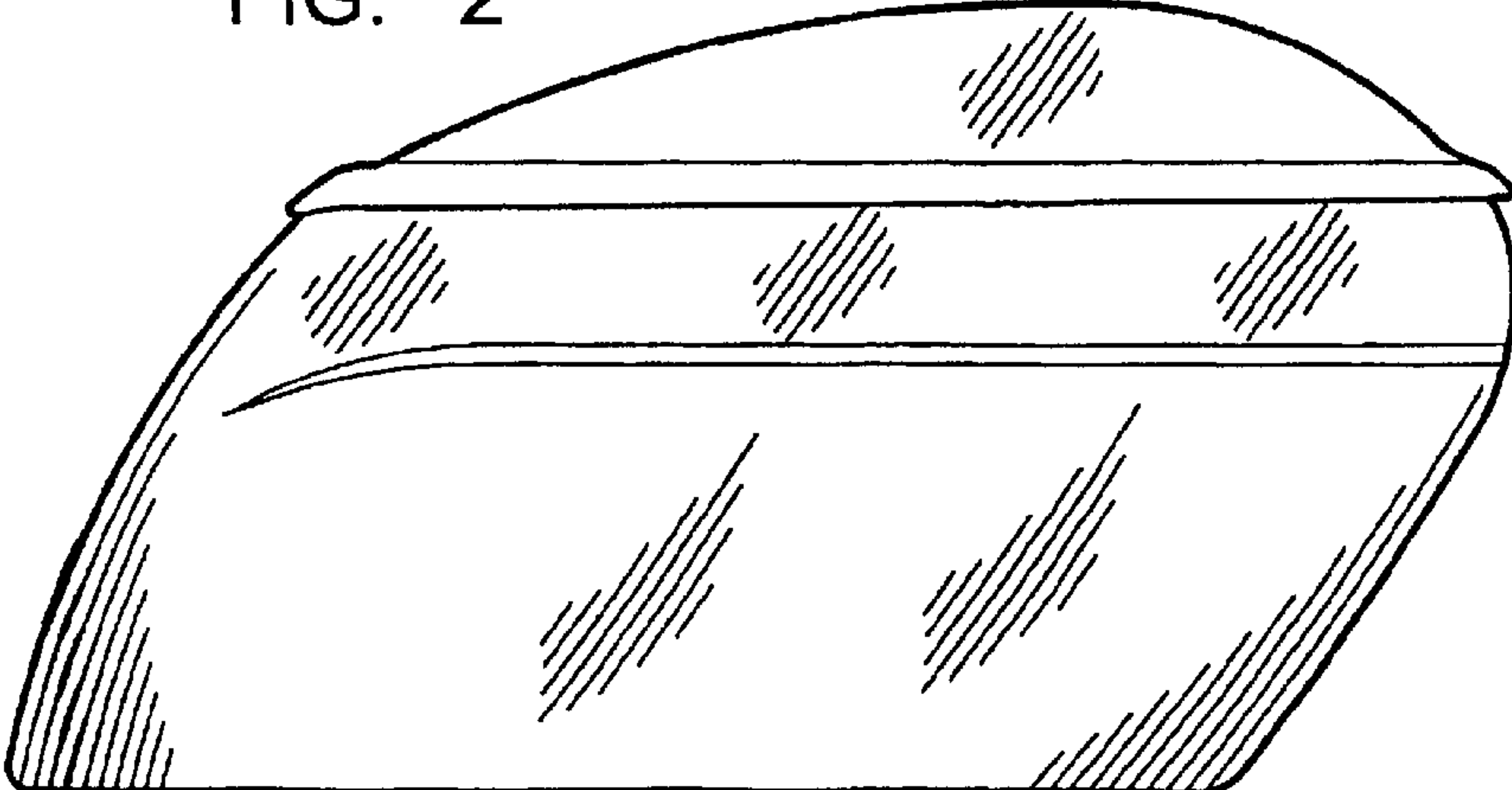


FIG. 3

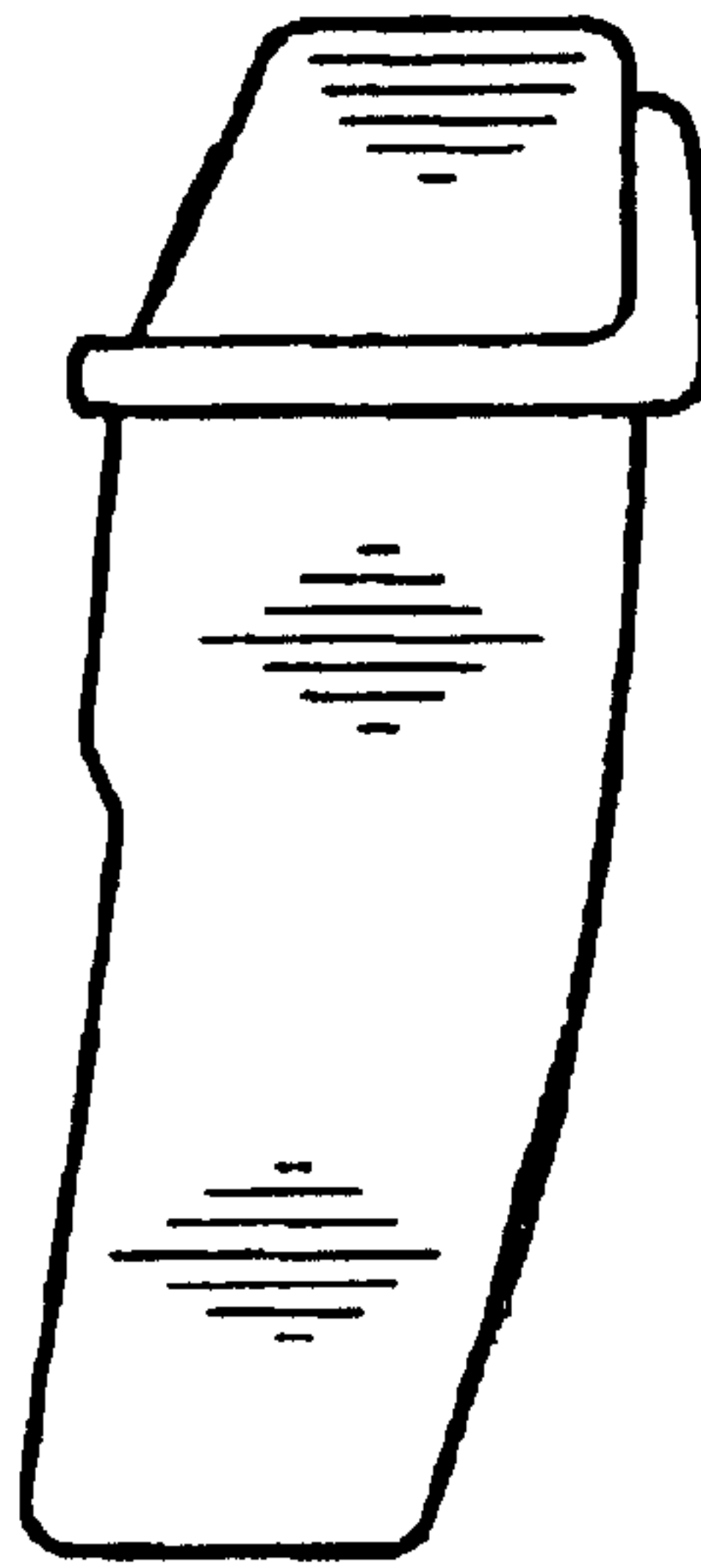


FIG. 4

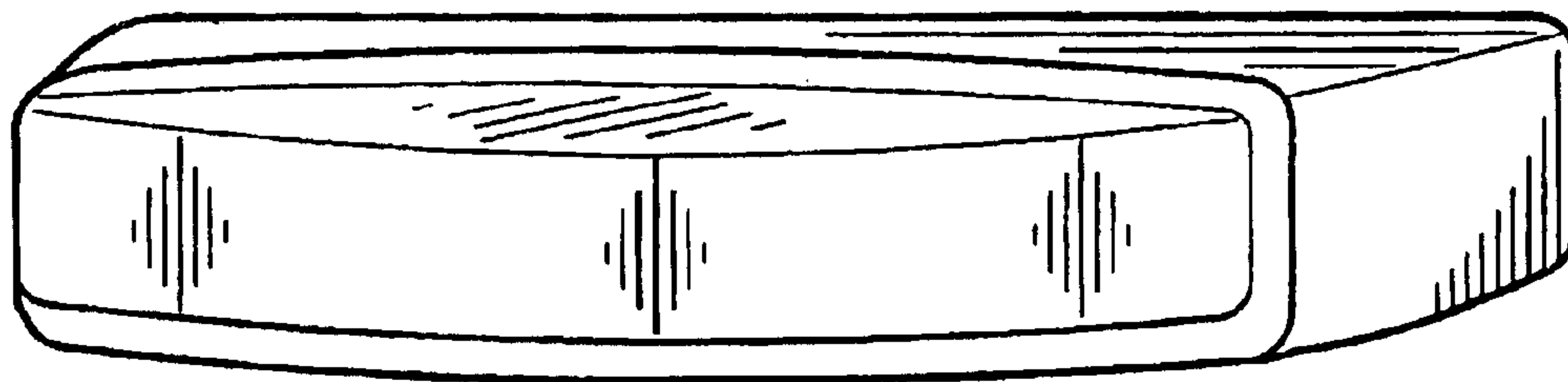


FIG. 5

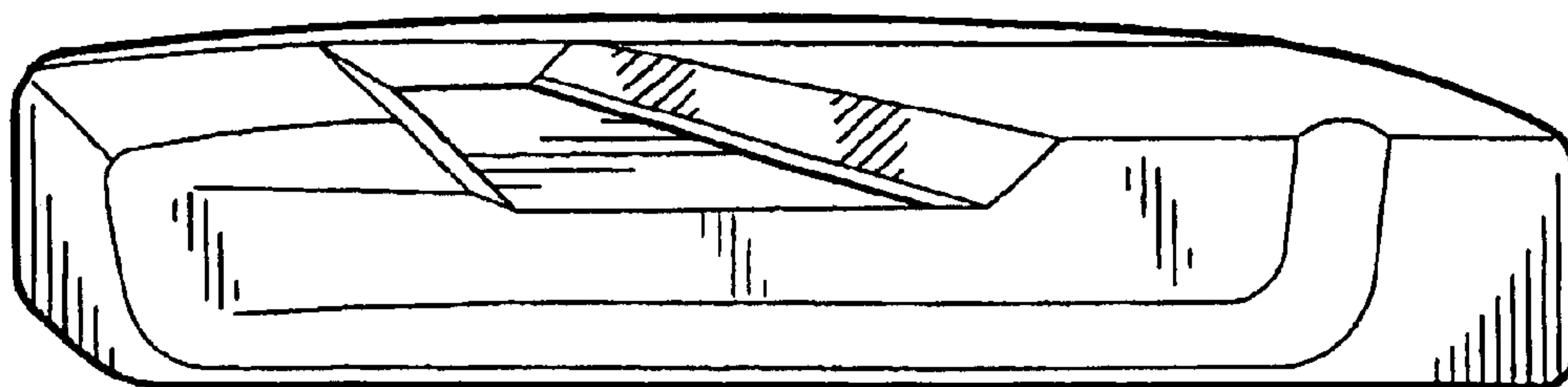


FIG. 6