

US00D506965S

(12) **United States Design Patent**
Kataoka

(10) **Patent No.:** **US D506,965 S**
(45) **Date of Patent:** **** Jul. 5, 2005**

(54) **WHEEL**
(75) **Inventor:** **Tatsuya Kataoka, Ota (JP)**
(73) **Assignee:** **Zyoxx Way Inc., Santa Fe Springs, CA (US)**
(**) **Term:** **14 Years**
(21) **Appl. No.:** **29/220,671**
(22) **Filed:** **Jan. 5, 2005**
(51) **LOC (8) Cl.** **12-16**
(52) **U.S. Cl.** **D12/209**
(58) **Field of Search** D12/204–213;
301/37.101, 64.101, 65

D490,354 S 5/2004 Kataoka
D490,760 S * 6/2004 Sands D12/209
D491,512 S 6/2004 Kataoka
D491,871 S 6/2004 Kang
D492,234 S 6/2004 Kataoka
D493,403 S 7/2004 Kataoka
D493,407 S * 7/2004 Yu D12/211
D493,761 S 8/2004 Kang
D493,762 S 8/2004 Kang
D495,285 S 8/2004 Phillips
D495,289 S 8/2004 Kataoka
D495,648 S 9/2004 Kang
D496,317 S 9/2004 Kataoka

* cited by examiner

Primary Examiner—Stacia Cadmus
(74) *Attorney, Agent, or Firm*—Park & Sutton LLP; John K. Park

(56) **References Cited**

U.S. PATENT DOCUMENTS

D413,853 S * 9/1999 Hale, Jr. D12/211
D431,222 S * 9/2000 Vian D12/209
D432,975 S * 10/2000 Chung D12/211
D436,914 S * 1/2001 Vian D12/211
D444,119 S * 6/2001 Brintouch D12/211
D453,136 S * 1/2002 Frizzi D12/211
D468,250 S * 1/2003 Donikoglu D12/209
D475,669 S * 6/2003 Boyer D12/209
D481,346 S * 10/2003 Vian D12/211
D487,420 S * 3/2004 Kang D12/211
D490,039 S 5/2004 Boehm

(57) **CLAIM**

The ornamental design for a wheel, as shown and described.

DESCRIPTION

FIG. 1 is a perspective view of a wheel showing my new design; and,
FIG. 2 is a front elevational view of FIG. 1.
The broken line showing of environment is for illustrative purposes only and forms no part of the claimed design.

1 Claim, 2 Drawing Sheets

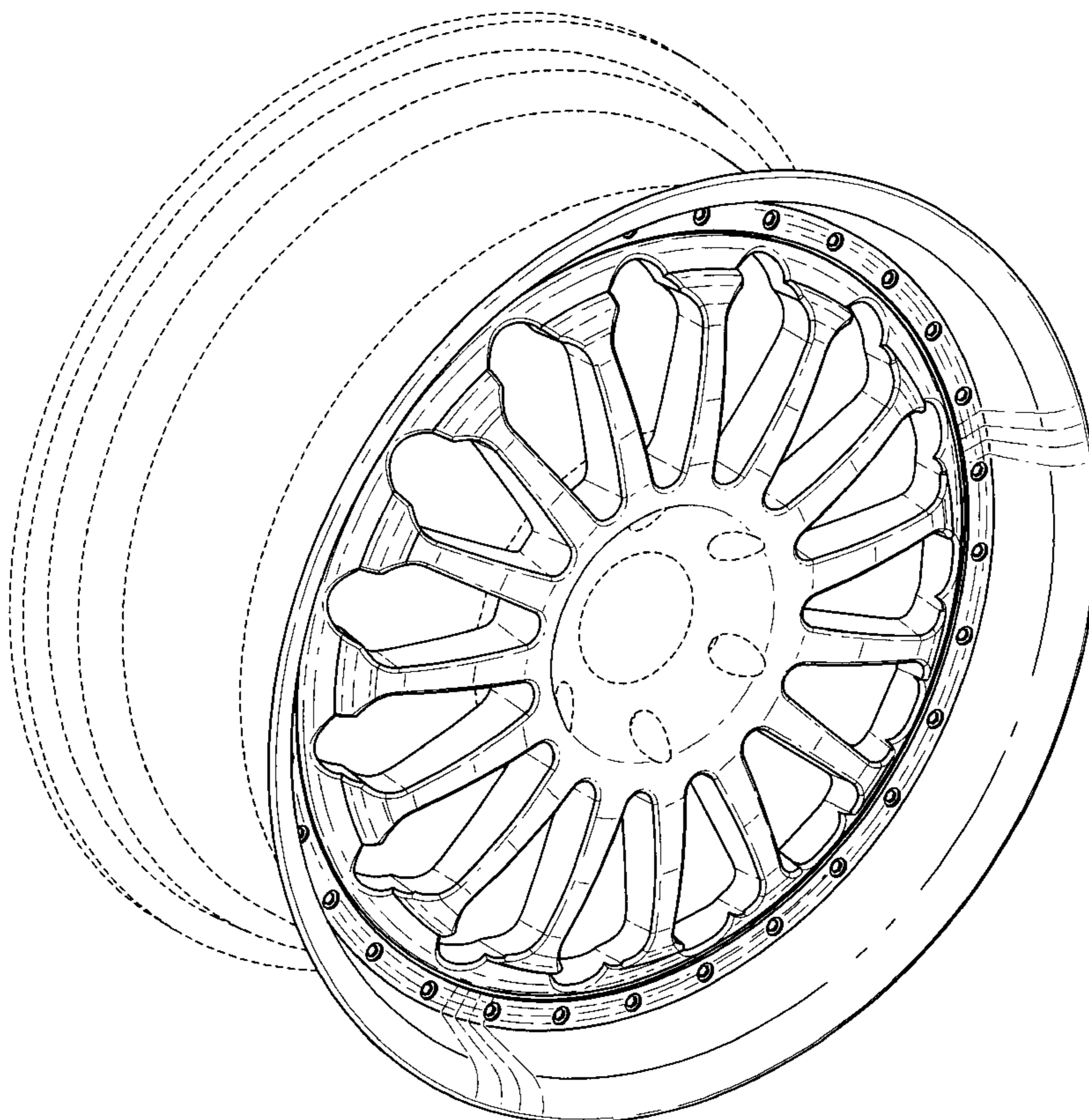


FIG. 1

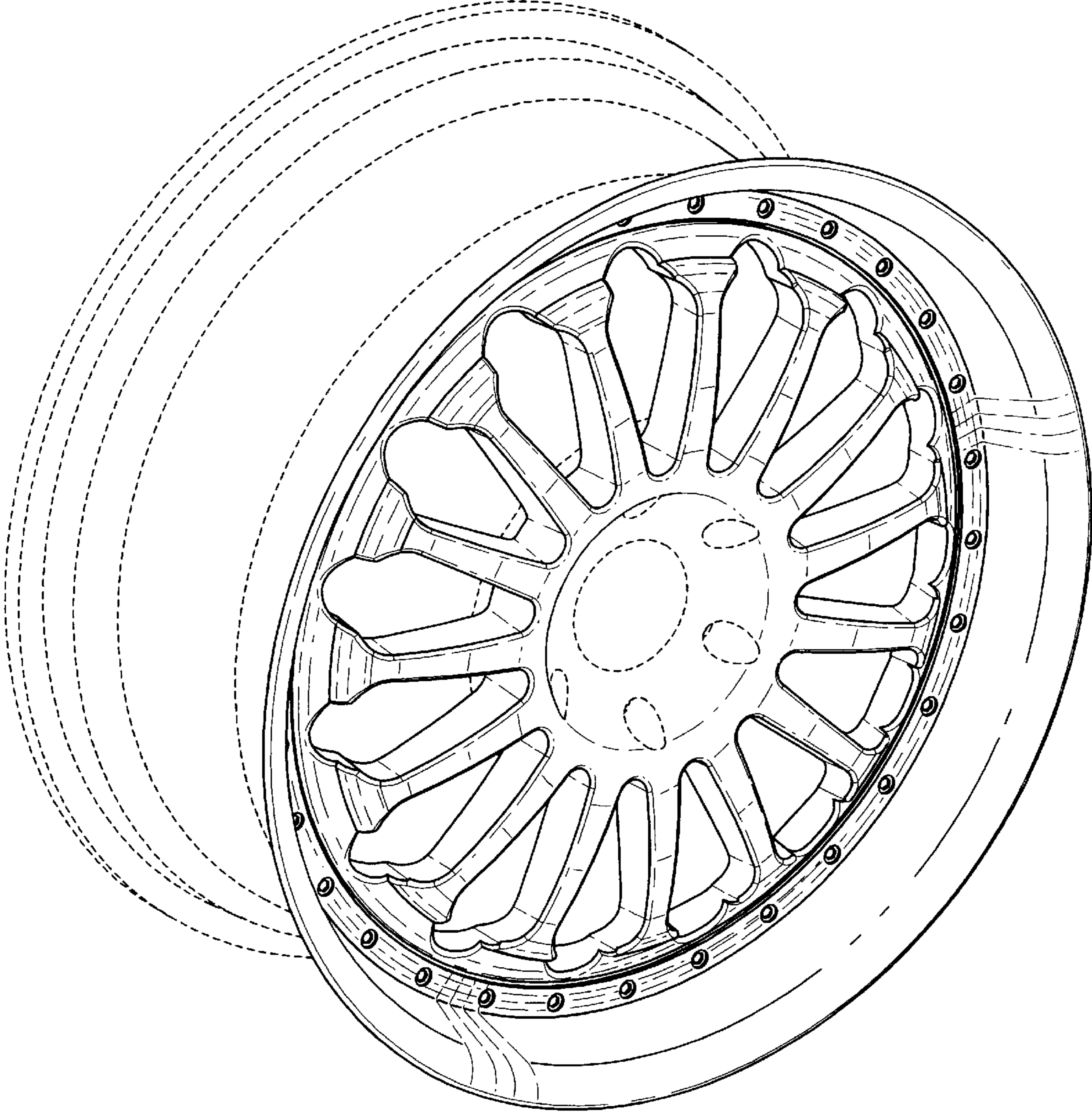


FIG. 2

