

US00D506954S

(12) **United States Design Patent**
Lara

(10) **Patent No.:** **US D506,954 S**
(45) **Date of Patent:** **** Jul. 5, 2005**

(54) **EMERGENCY, PORTABLE, FOLDABLE LITTER**

D477,256 S * 7/2003 Mills D12/133

* cited by examiner

(76) **Inventor:** **Robert Lara**, 14348 Cerecita Dr.,
Whittier, CA (US) 90604

Primary Examiner—Marcus A. Jackson
(74) *Attorney, Agent, or Firm*—Willie Krawitz

(**) **Term:** **14 Years**

(57) **CLAIM**

(21) **Appl. No.:** **29/192,955**

The ornamental design for an emergency, portable, foldable litter, as shown and described.

(22) **Filed:** **Oct. 31, 2003**

DESCRIPTION

(51) **LOC (8) Cl.** **12-12**

(52) **U.S. Cl.** **D12/133**

(58) **Field of Search** D12/129-133;
224/42.46 R; 135/67; 297/188

FIG. 1 is a perspective view of an emergency, portable, foldable litter, showing my design;
FIG. 2 is a right side elevation view thereof;
FIG. 3 is a bottom plan view thereof; and,
FIG. 4 is a front elevation view thereof.

(56) **References Cited**

U.S. PATENT DOCUMENTS

D454,095 S * 3/2002 Ornelas D12/133

1 Claim, 1 Drawing Sheet

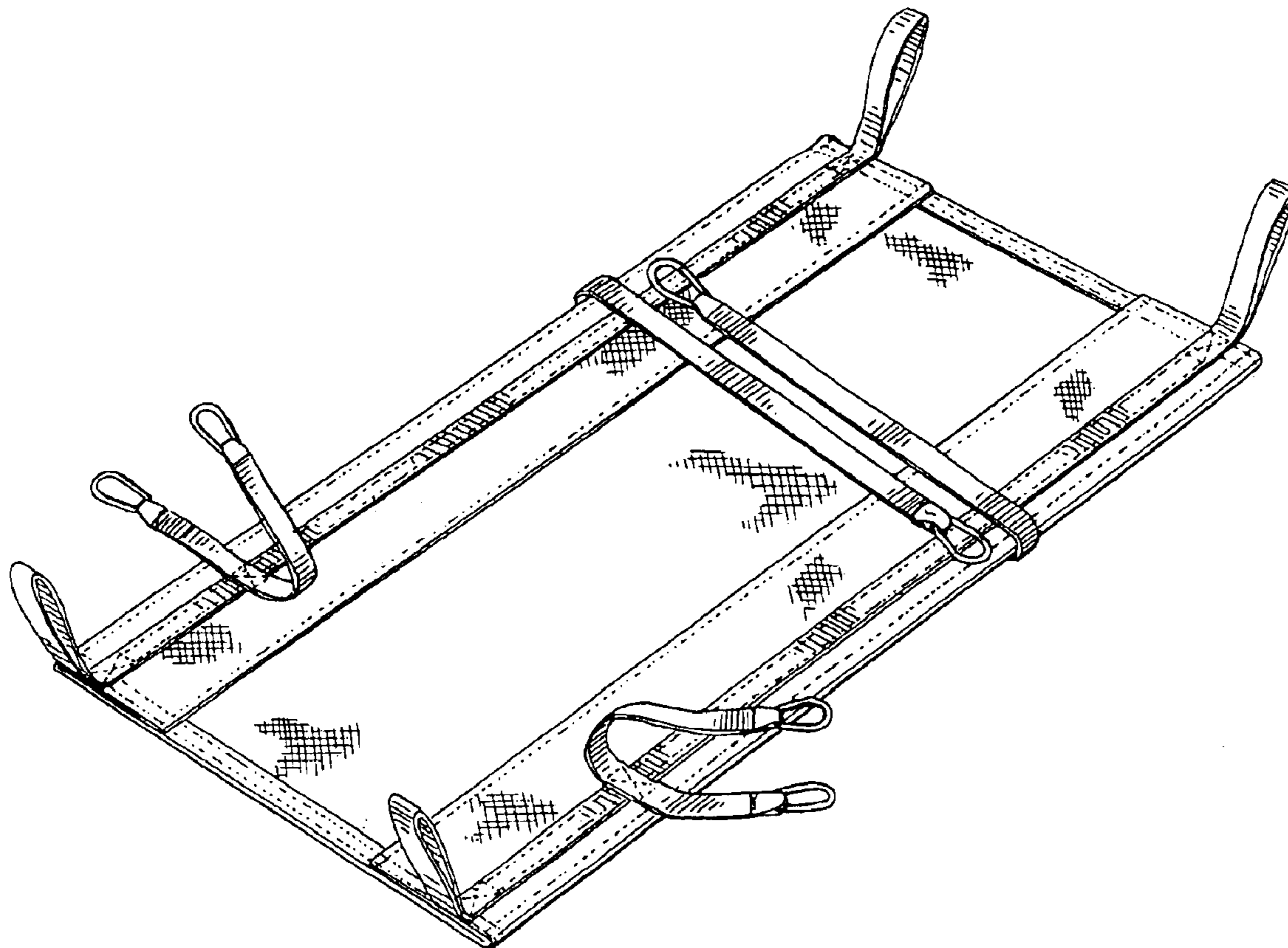


FIG. 1

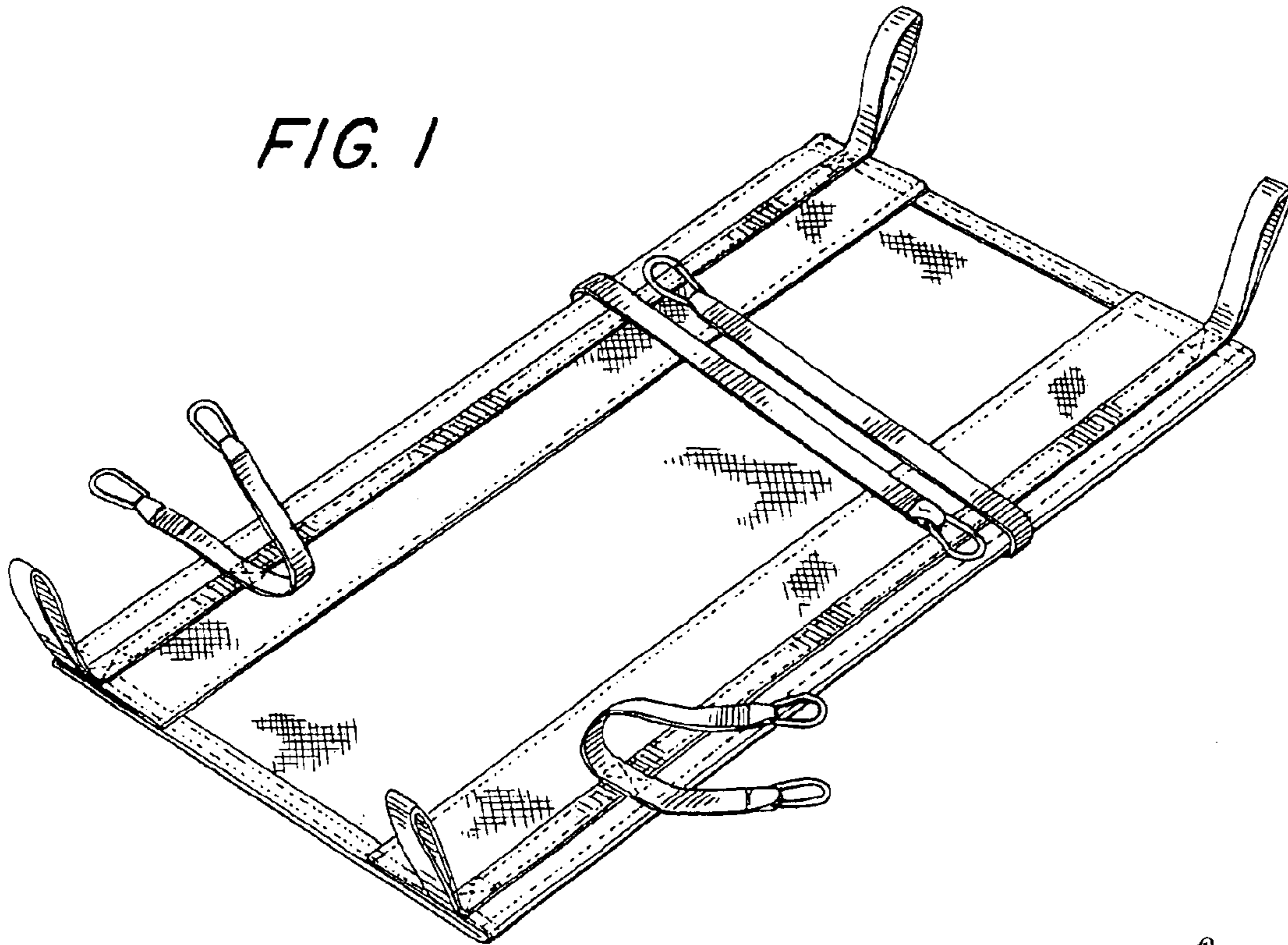


FIG. 2



FIG. 3

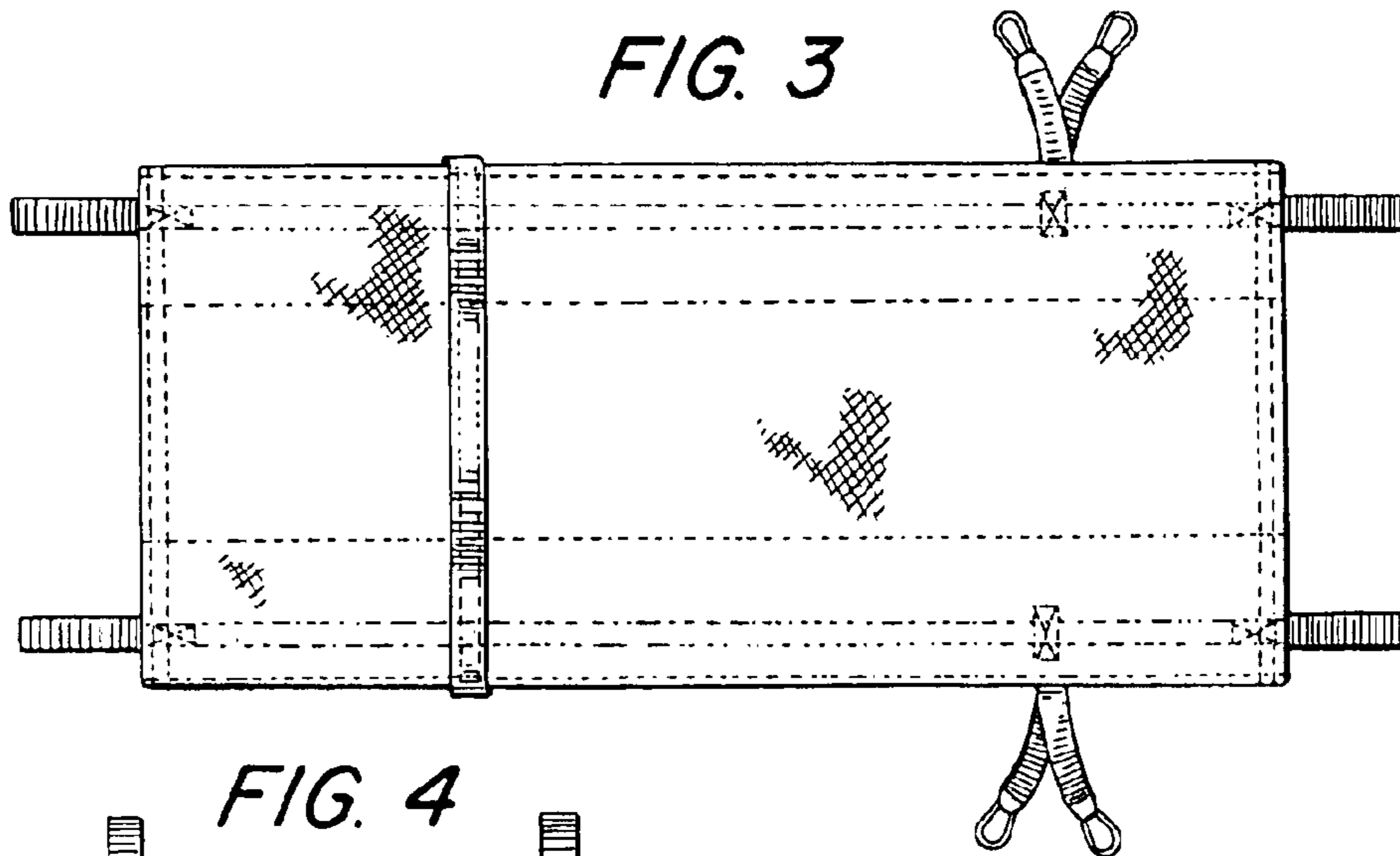


FIG. 4

