



US00D506953S

(12) **United States Design Patent** (10) **Patent No.:** **US D506,953 S**  
**Everitt et al.** (45) **Date of Patent:** **\*\* Jul. 5, 2005**

(54) **MOTORCYCLE**

(58) **Field of Search** ..... D12/110; 180/219

(75) **Inventors:** **Stephen Everitt**, London (GB); **Benjamin Wood**, London (GB); **Nigel Bosworth**, Staffordshire (GB); **Stephen Thompson**, Staffordshire (GB); **Carl Fogarty**, Staffordshire (GB); **Gavin Palmer**, London (GB); **Dan Horstmann**, London (GB); **Clive Kilford**, London (GB); **Nicholas Carpenter**, London (GB); **David Minty**, London (GB)

(56) **References Cited**

U.S. PATENT DOCUMENTS

D350,918 S \* 9/1994 Kohama et al. .... D12/110

\* cited by examiner

*Primary Examiner*—Pamela Burgess

*Assistant Examiner*—Linda Brooks

(74) *Attorney, Agent, or Firm*—Banner & Witcoff, LTD

(73) **Assignee:** **Brumby Corporation Ltd.**, Isle of Man (GB)

(57) **CLAIM**

The ornamental design for a motorcycle, as shown and described.

(\* ) **Notice:** This patent is subject to a terminal disclaimer.

**DESCRIPTION**

(\*\* ) **Term:** **14 Years**

FIG. 1 is a side elevational view of one side of a motorcycle showing an embodiment of our new design;  
 FIG. 2 is a top plan view thereof;  
 FIG. 3 is a bottom plan view thereof;  
 FIG. 4 is a front elevational view thereof;  
 FIG. 5 is a rear elevational view thereof;  
 FIG. 6 is a side elevational view of the other side thereof;  
 FIG. 7 is a front perspective view thereof; and,  
 FIG. 8 is a rear perspective view thereof.

(21) **Appl. No.:** **29/172,096**

(22) **Filed:** **Dec. 6, 2002**

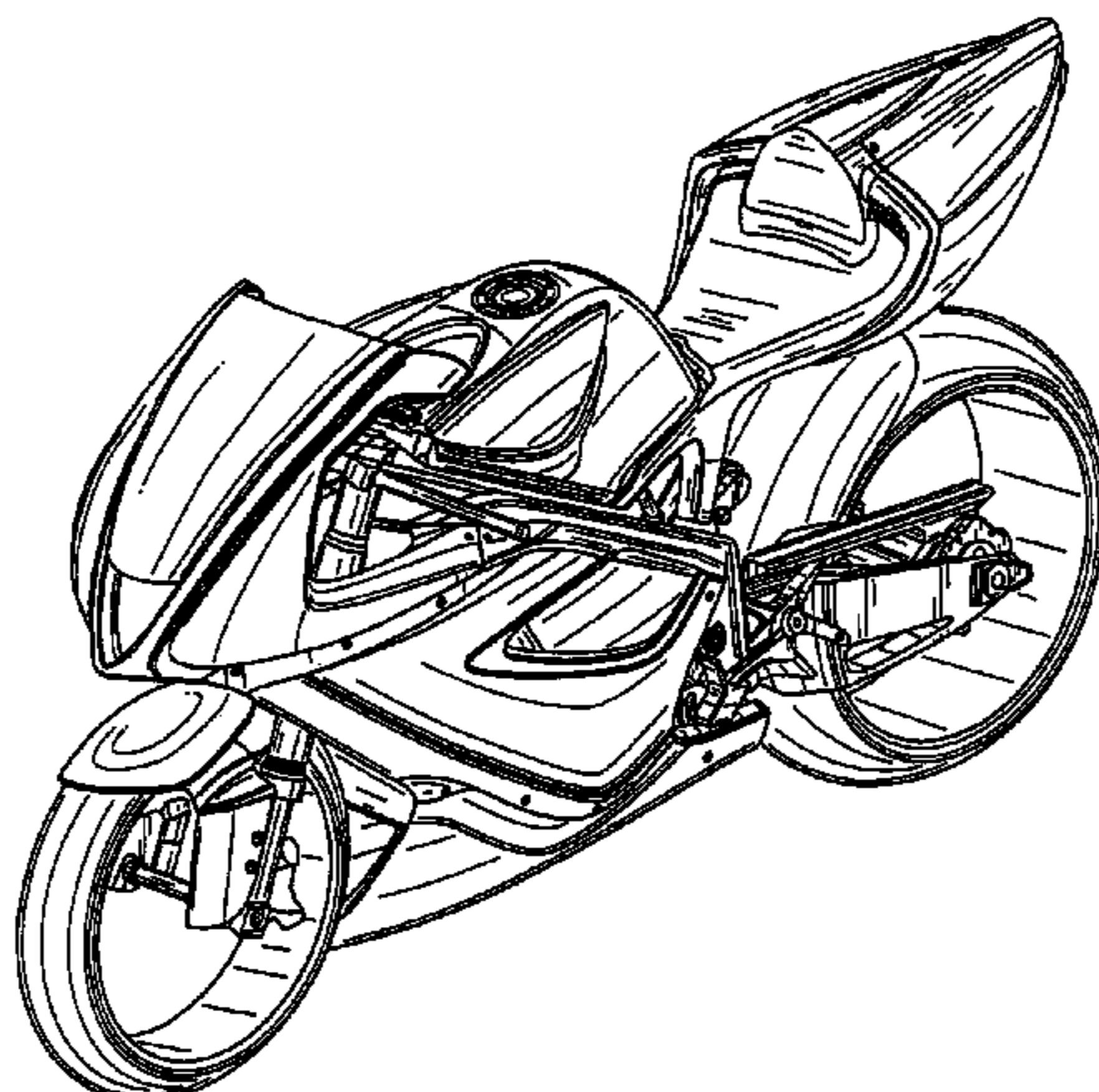
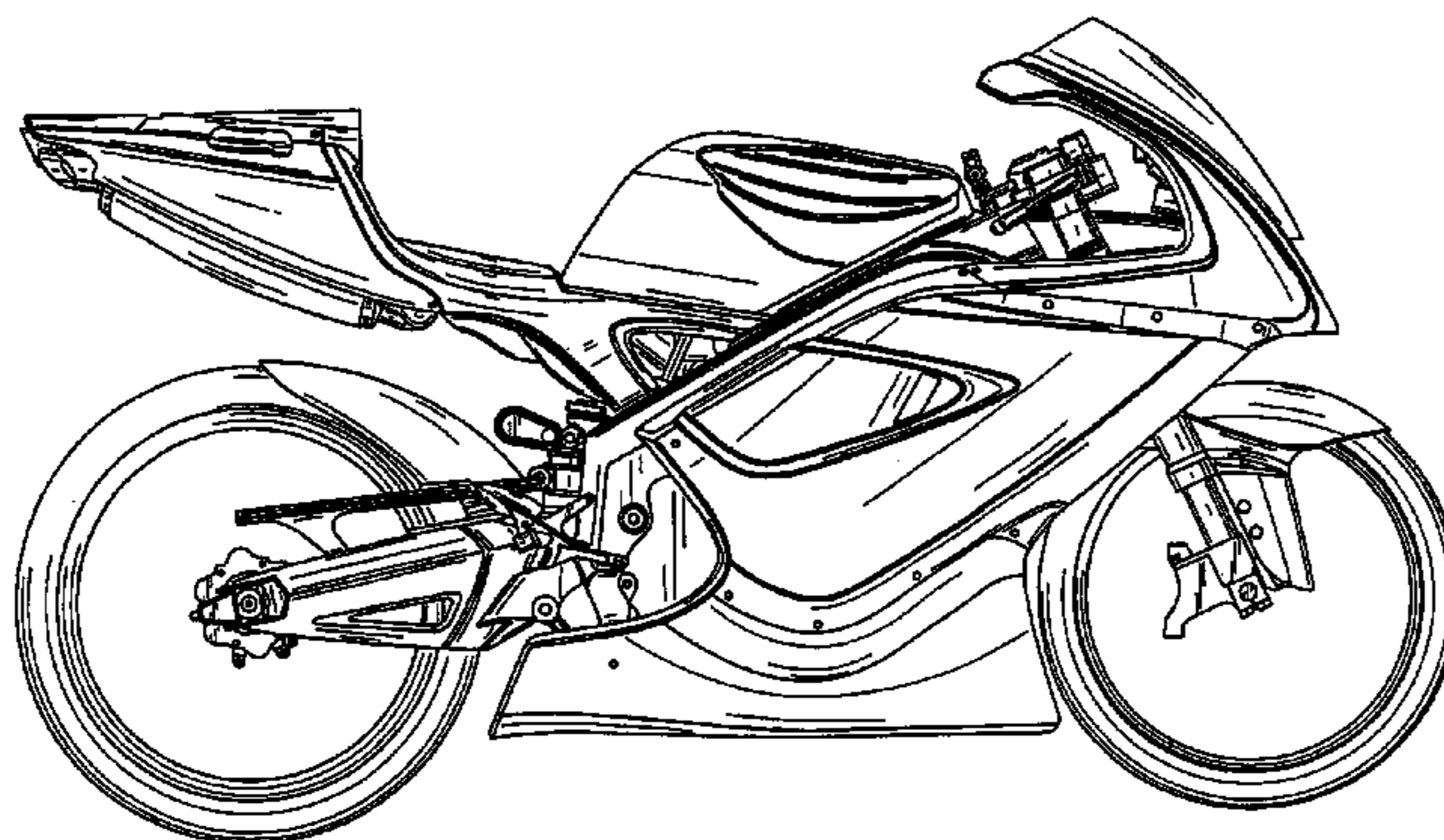
(30) **Foreign Application Priority Data**

Jun. 7, 2002 (GB) ..... 3004180

(51) **LOC (8) Cl.** ..... **12-11**

(52) **U.S. Cl.** ..... **D12/110**

**1 Claim, 8 Drawing Sheets**



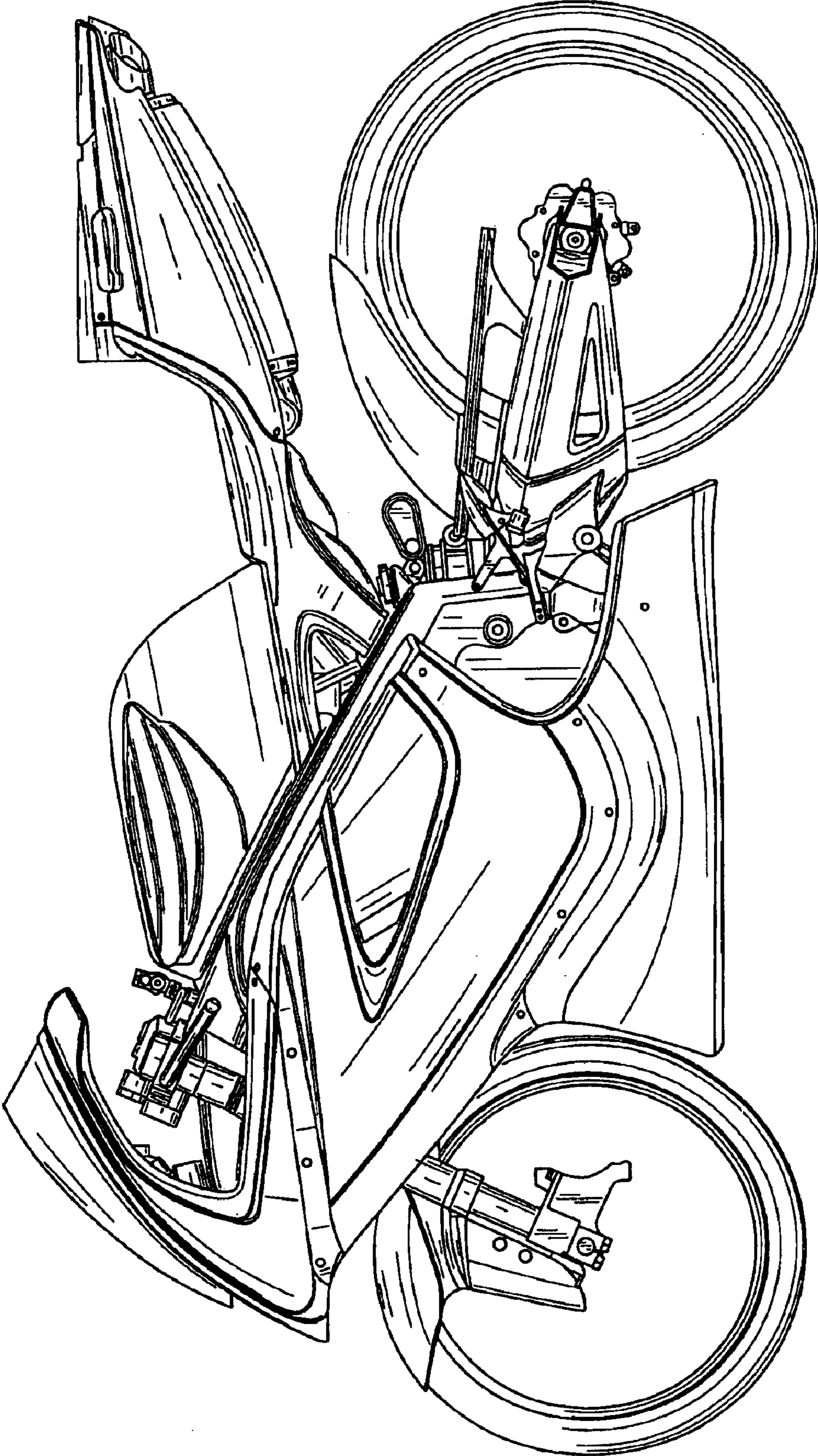


FIG. 1



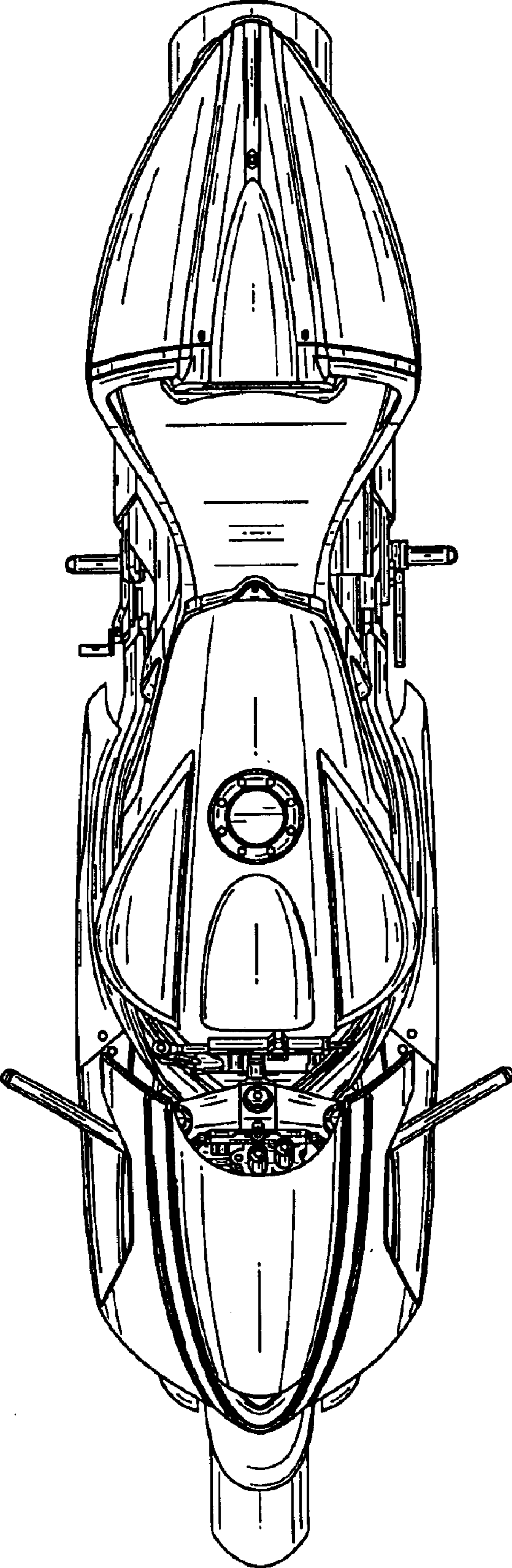


FIG. 2

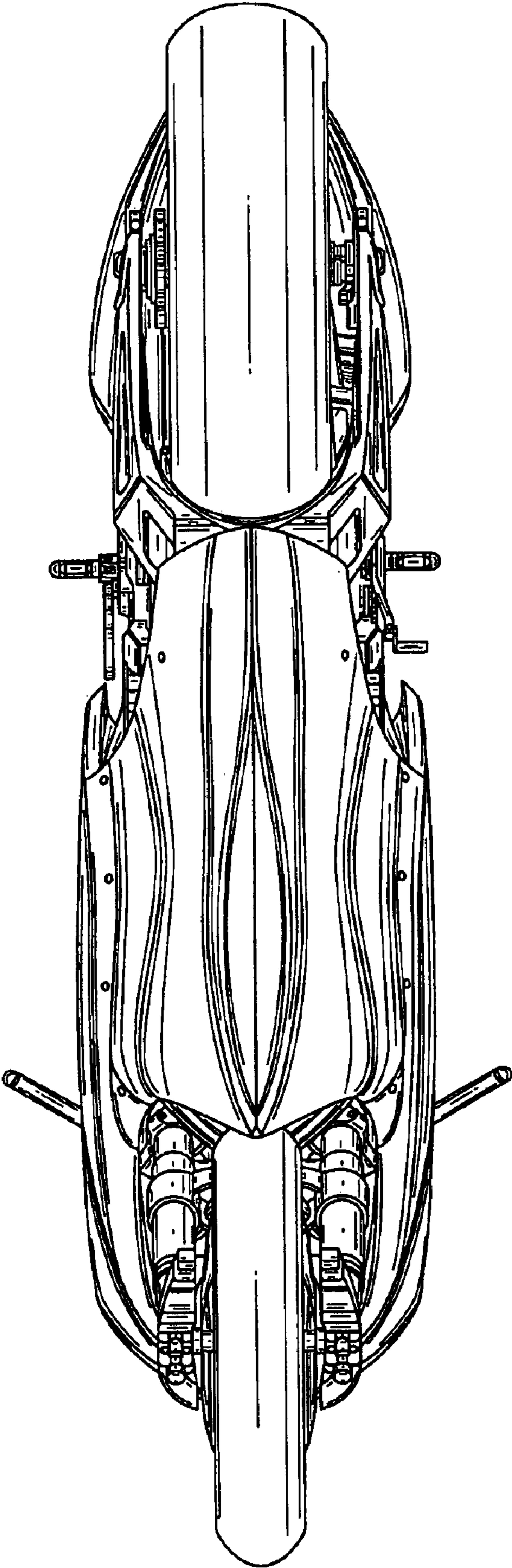


FIG. 3

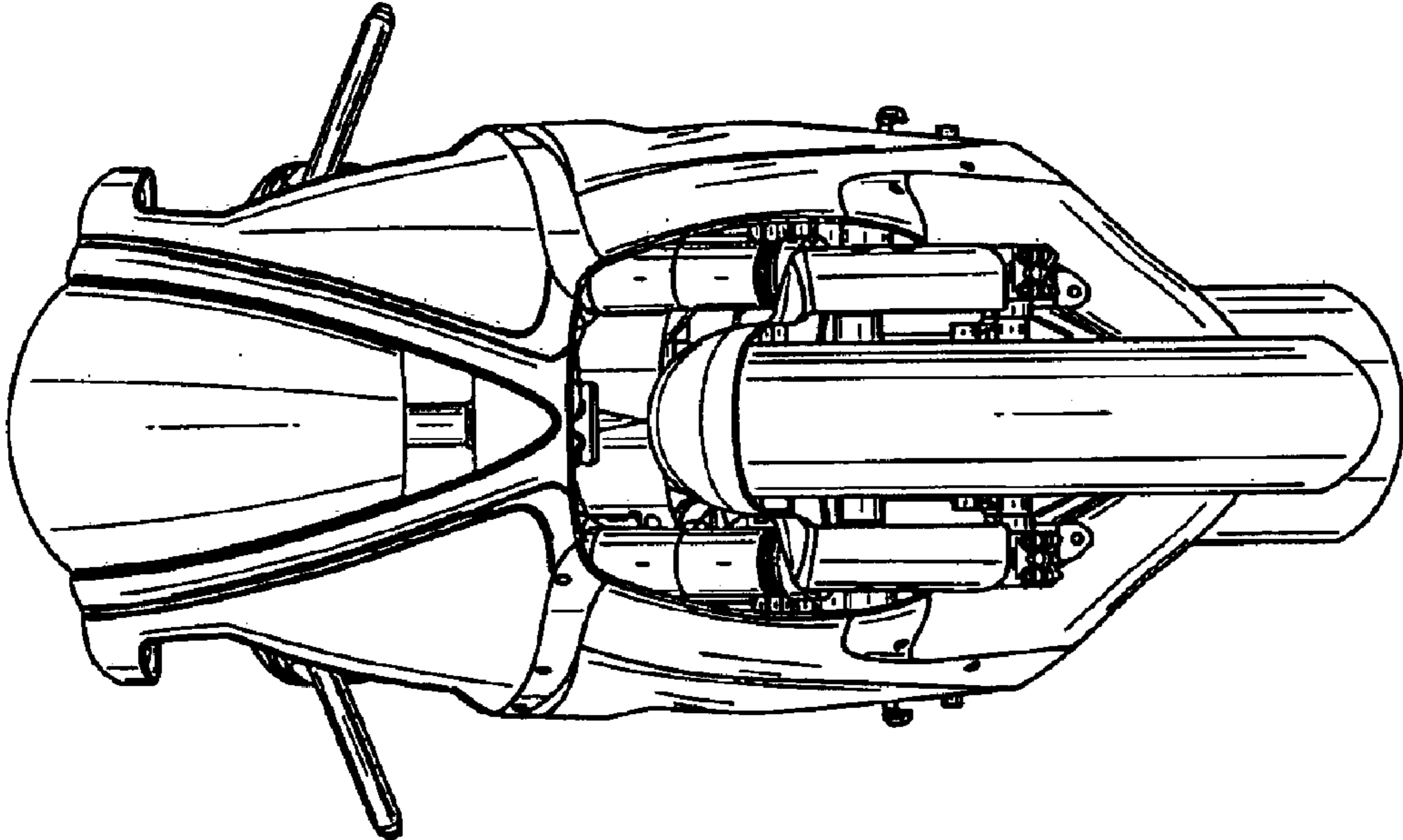


FIG. 4

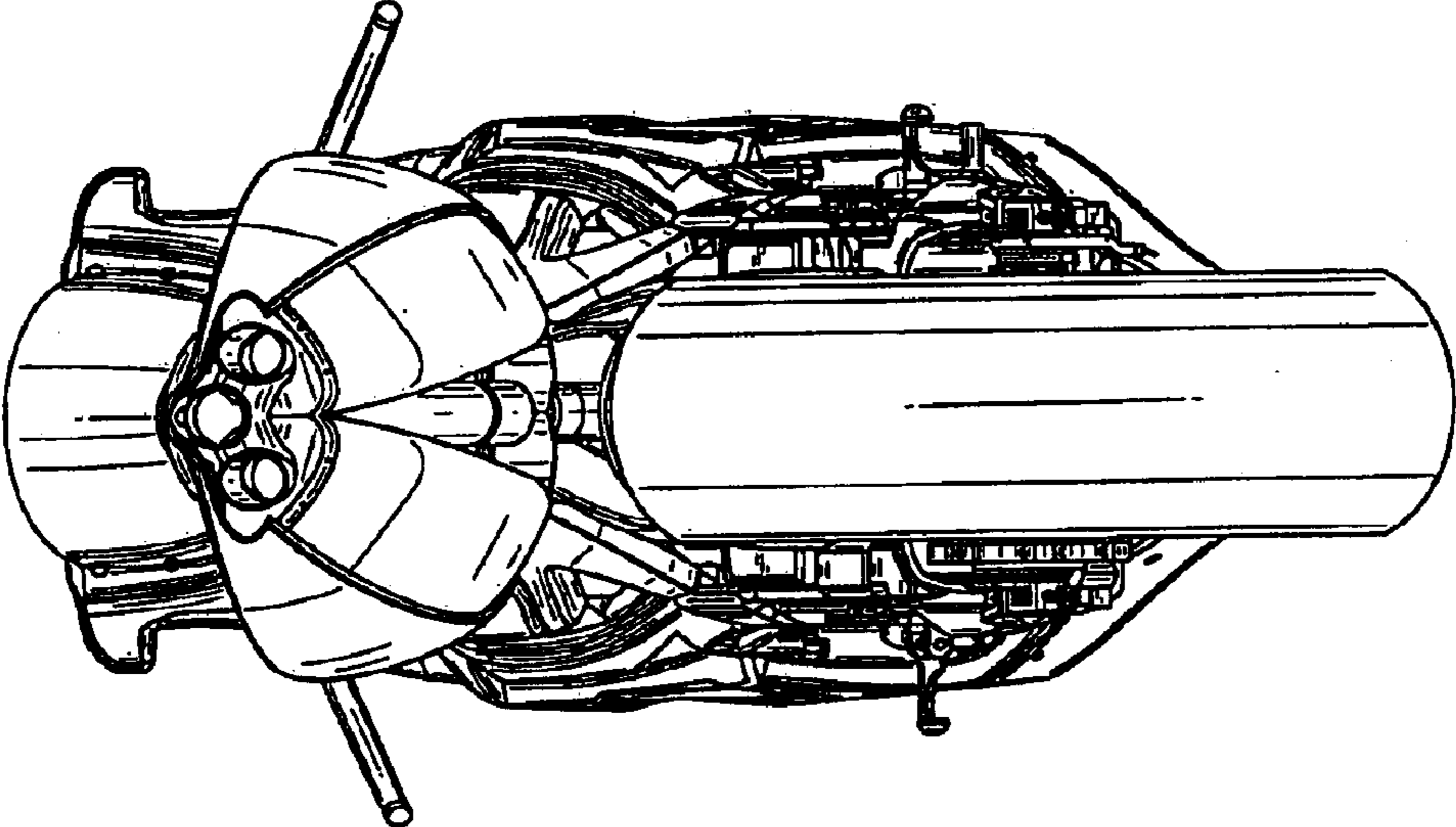


FIG. 5



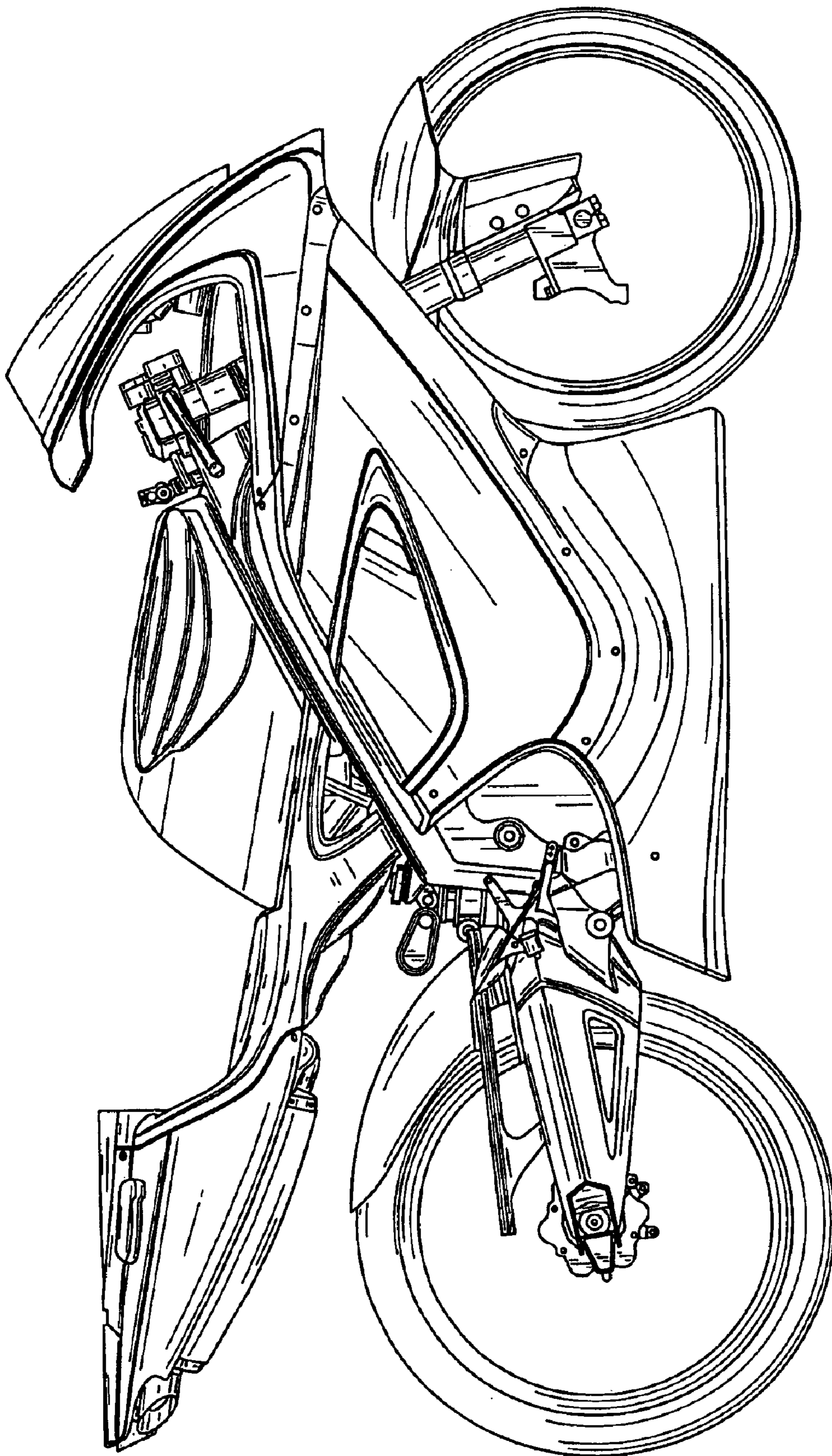


FIG. 6

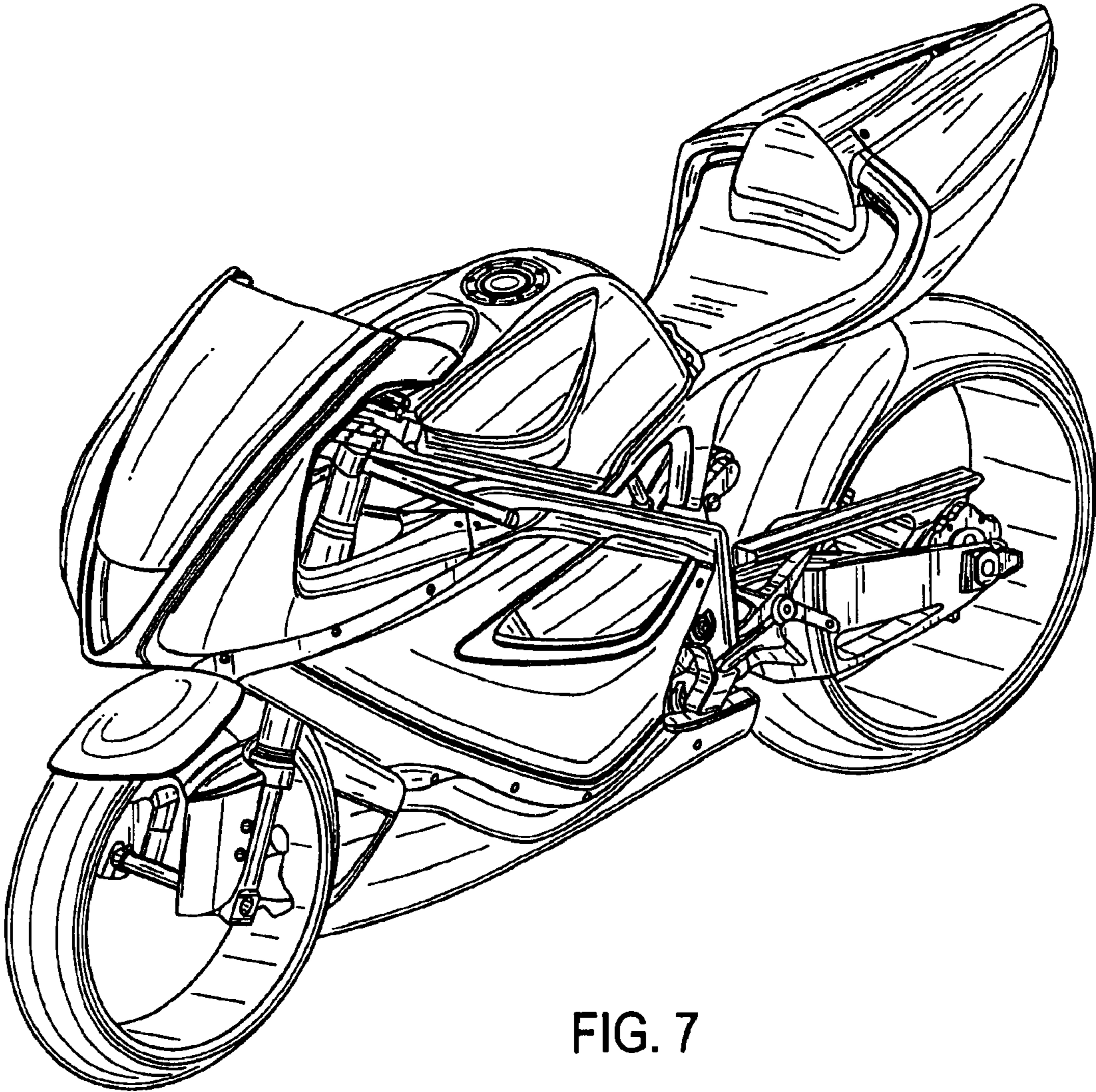


FIG. 7



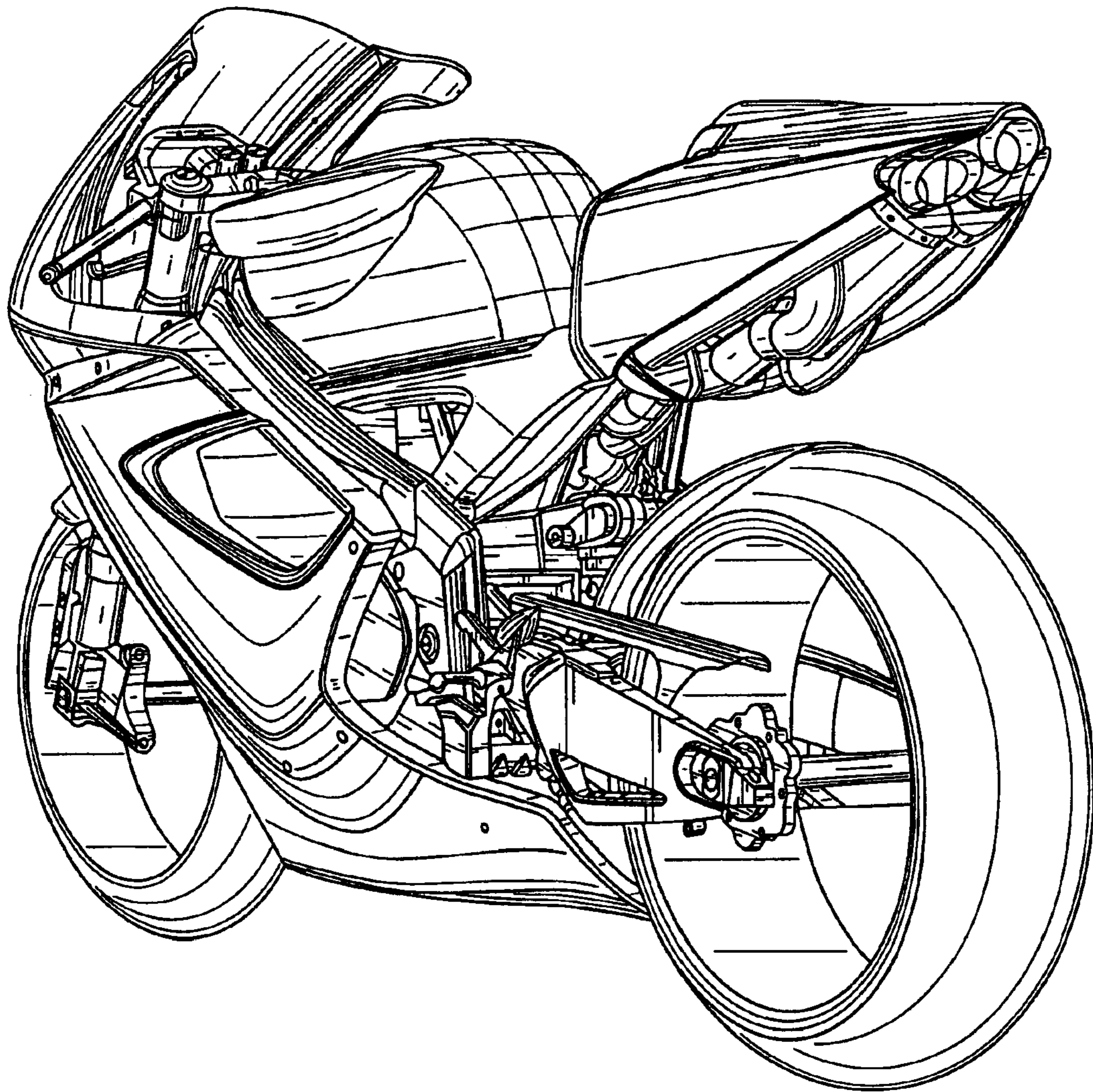


FIG. 8