

US00D506944S

(12) **United States Design Patent**
Jackson

(10) **Patent No.:** **US D506,944 S**

(45) **Date of Patent:** **** Jul. 5, 2005**

(54) **JEWELRY**

(76) **Inventor:** **Marilyn Jackson**, 540 Lake Joyce La.,
Fairburn, GA (US) 30213

(**) **Term:** **14 Years**

(21) **Appl. No.:** **29/183,112**

(22) **Filed:** **Jun. 6, 2003**

(51) **LOC (8) Cl.** **11-01**

(52) **U.S. Cl.** **D11/26**

(58) **Field of Search** D11/26-40; 63/15,
63/15.1, 15.2, 15.3, 15.4, 15.5, 15.6, 15.7,
15.8

(56) **References Cited**

U.S. PATENT DOCUMENTS

6,260,383	B1	*	7/2001	Warren et al.	63/15
D450,009	S	*	11/2001	Molfese	D11/26
D455,976	S		4/2002	Holland	D11/61
D461,740	S		8/2002	Lai	D11/91
2002/0002842	A1	*	1/2002	Molfese	63/15

* cited by examiner

Primary Examiner—Catherine R. Oliver
(74) *Attorney, Agent, or Firm*—Myers & Kaplan, LLC;
Sandra M. Sovinski; Joel D. Myers

(57) **CLAIM**

The ornamental design for jewelry, as shown and described.

DESCRIPTION

FIG. 1 is a perspective view of the jewelry design according to a preferred embodiment of the present invention.

FIG. 2 is a front view of the jewelry design according to a preferred embodiment of the present invention.

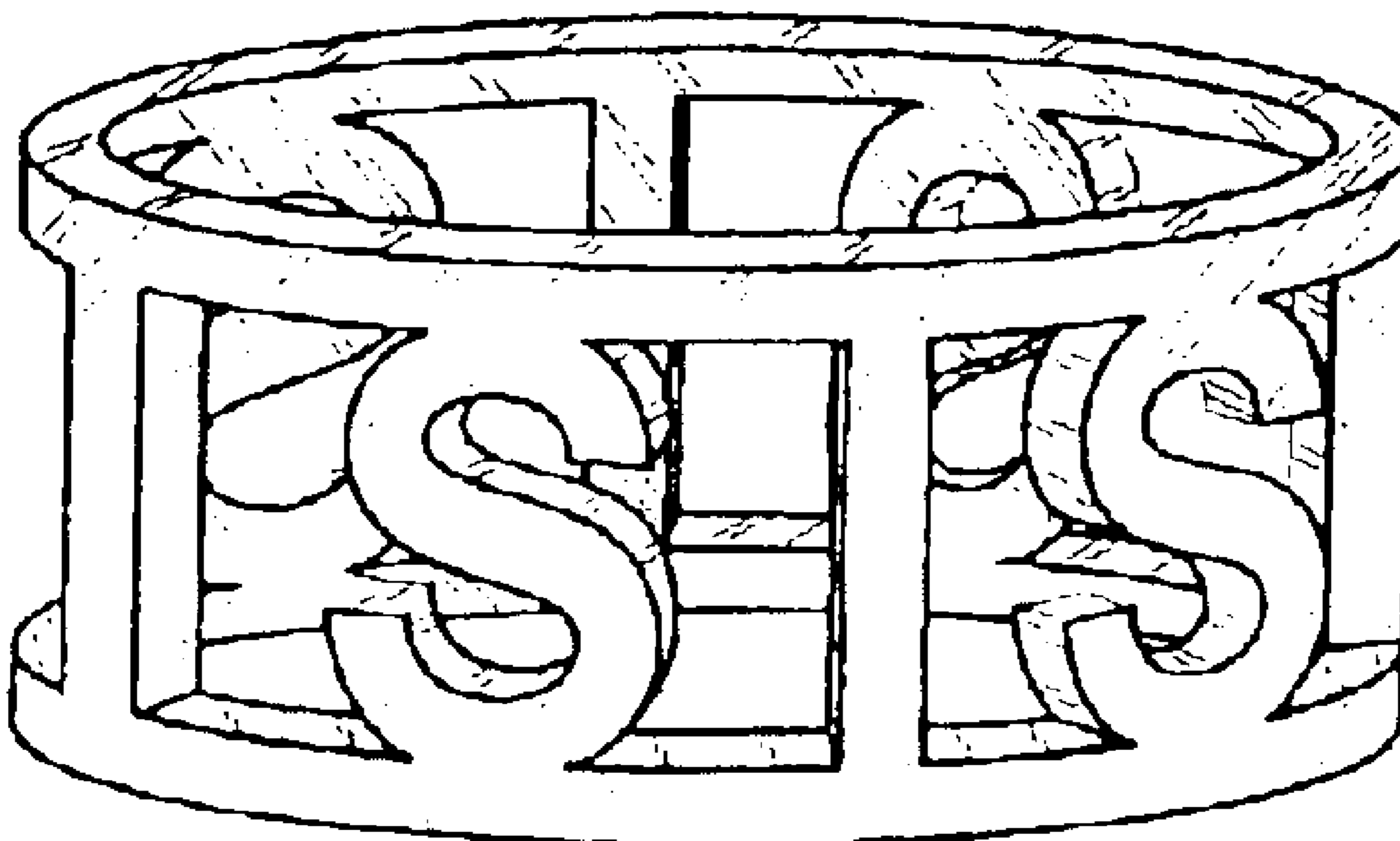
FIG. 3 is a top view of the jewelry design according to a preferred embodiment of the present invention.

FIG. 4 is a bottom view of the jewelry design according to a preferred embodiment of the present invention.

FIG. 5 is a rear view of the jewelry design according to a preferred embodiment of the present invention; and,

FIG. 6 is a side view of the jewelry design according to a preferred embodiment of the present invention.

1 Claim, 2 Drawing Sheets



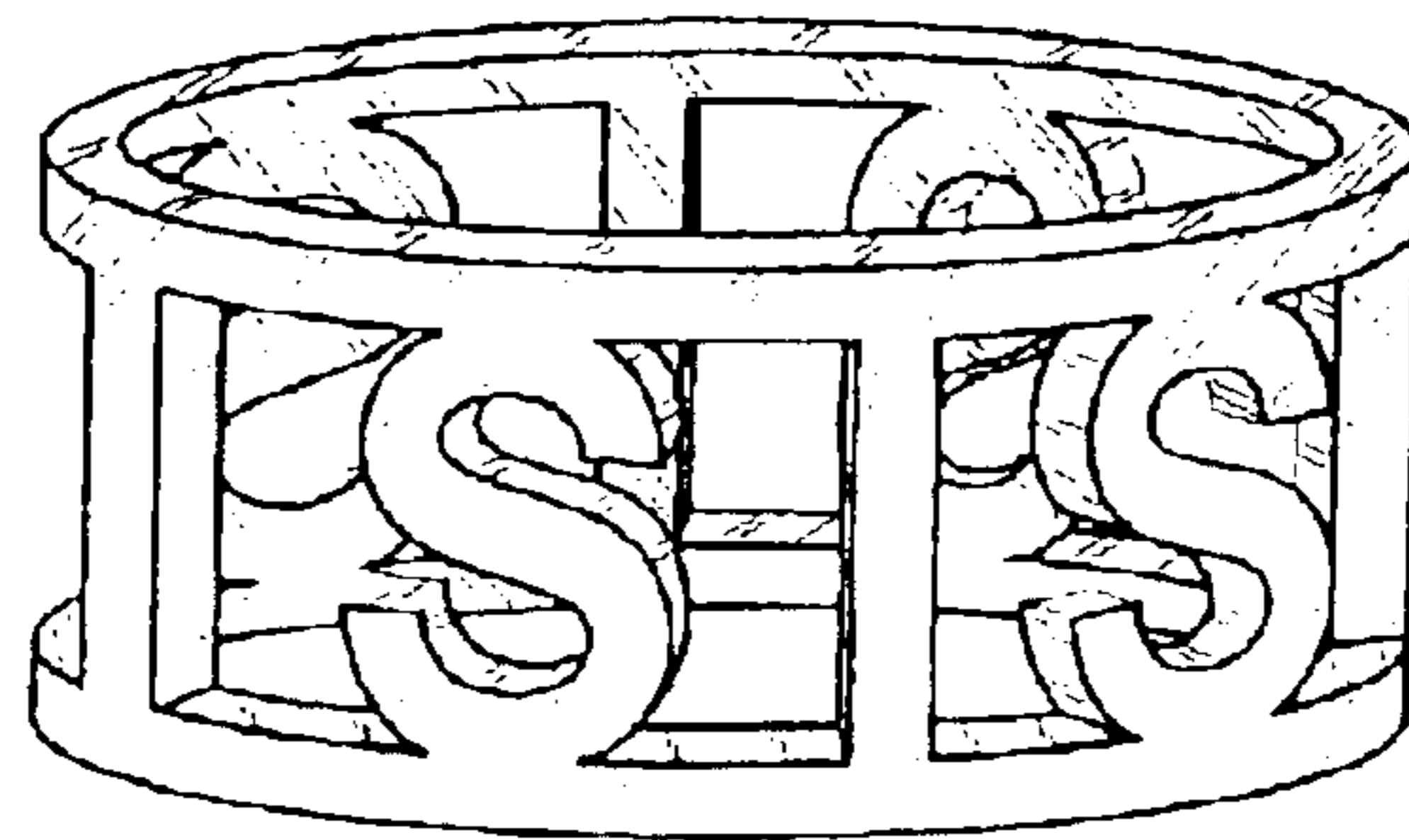


FIG. 1

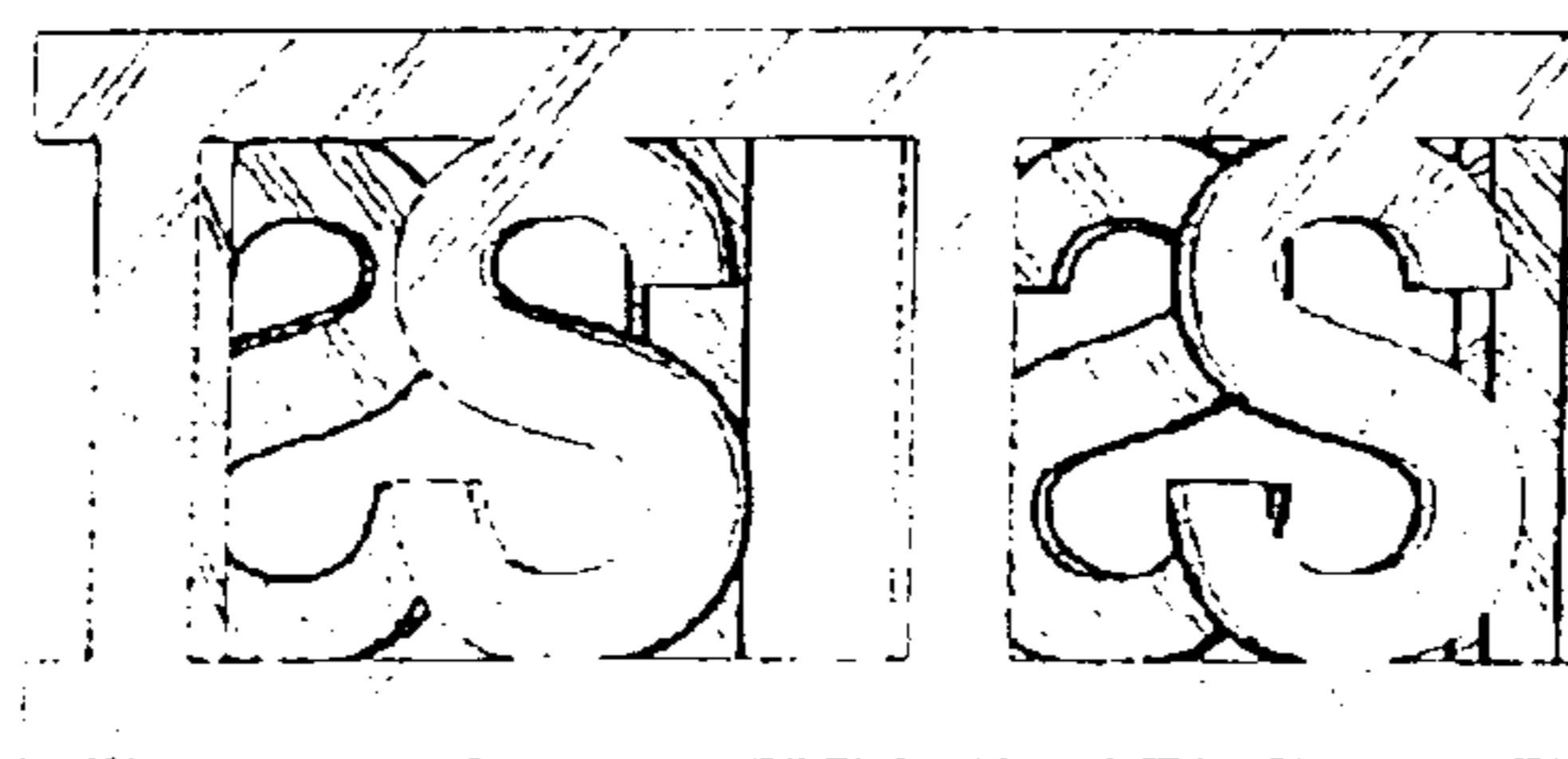


FIG. 2

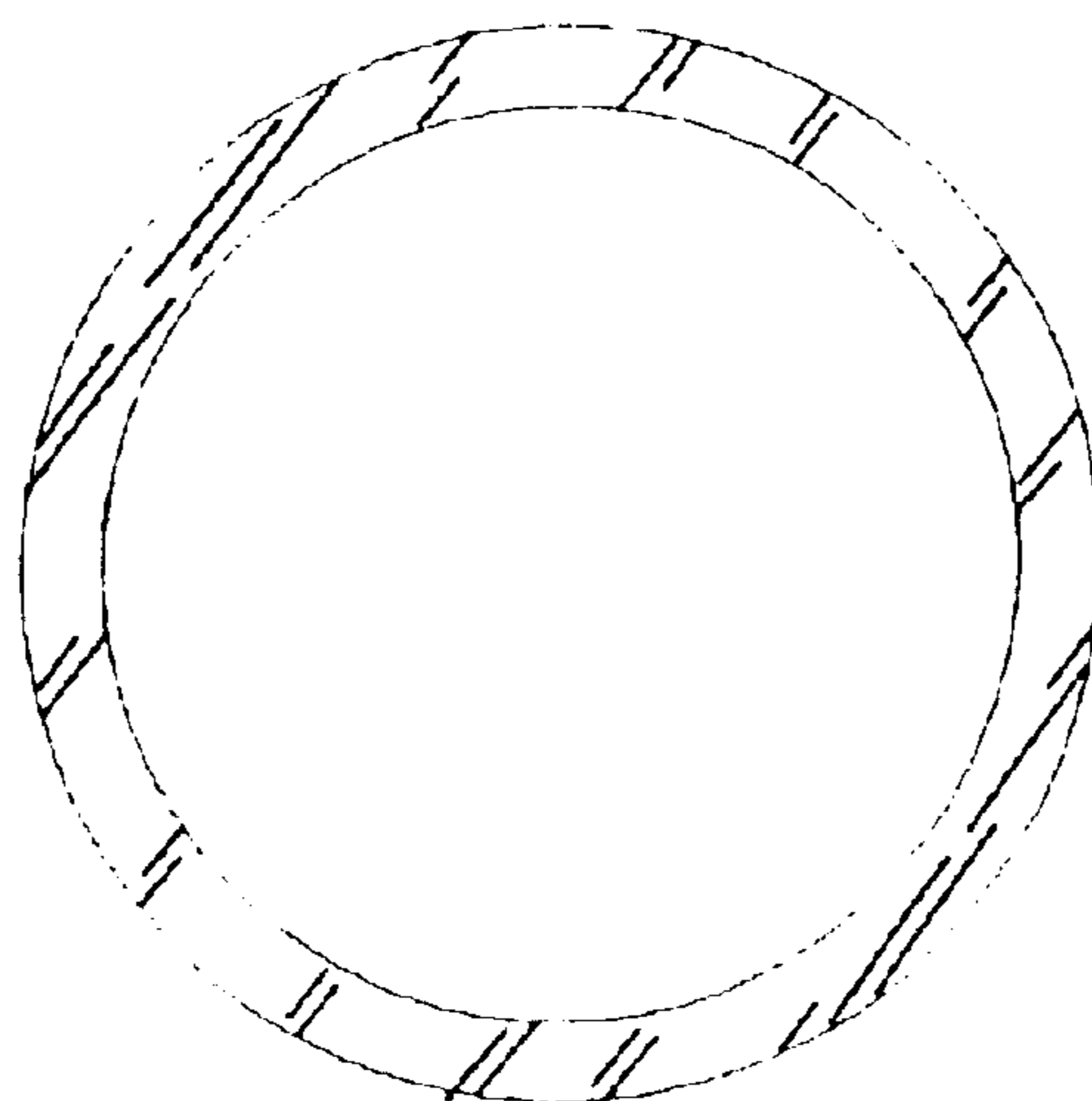


FIG. 3

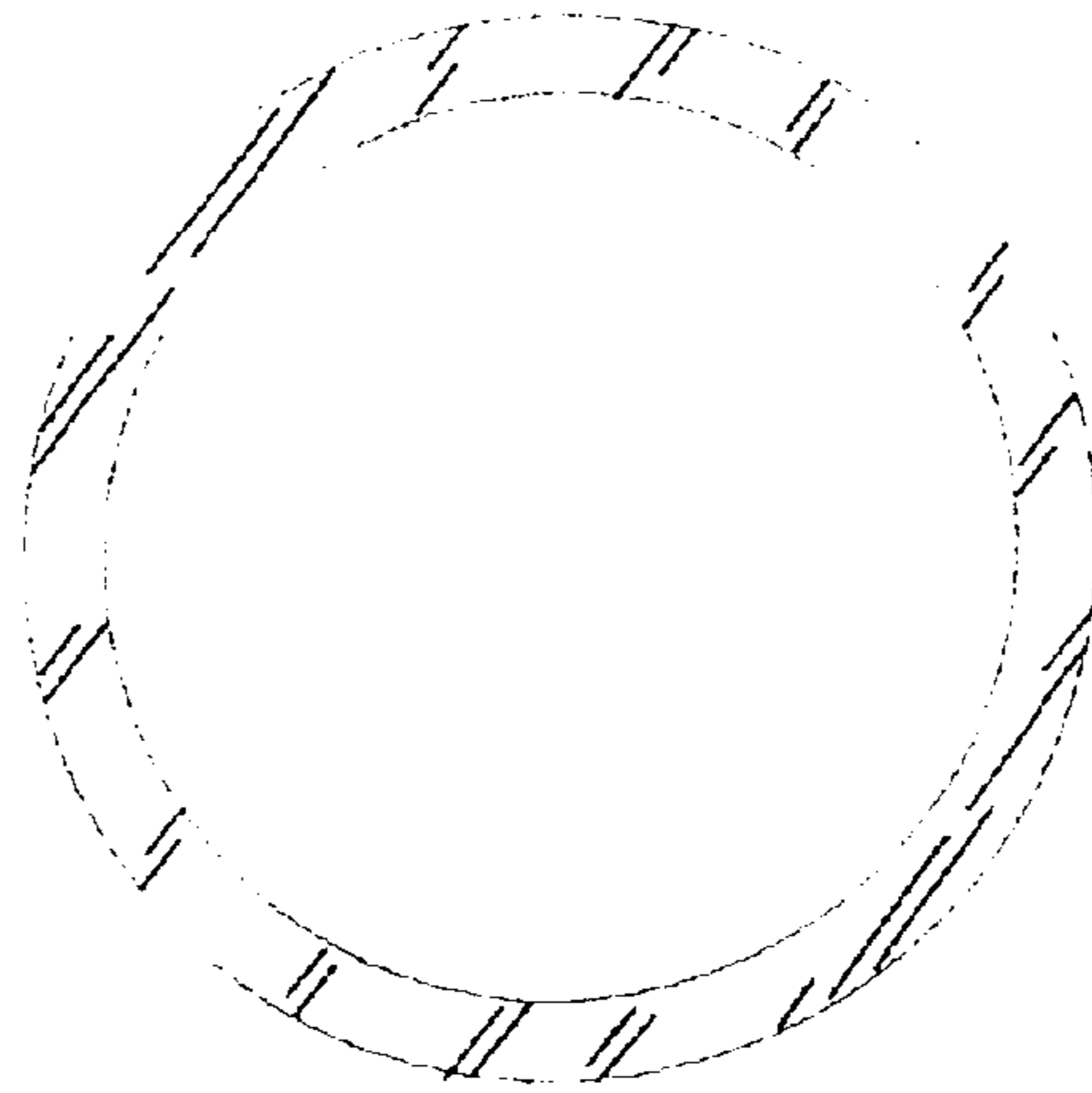


FIG. 4

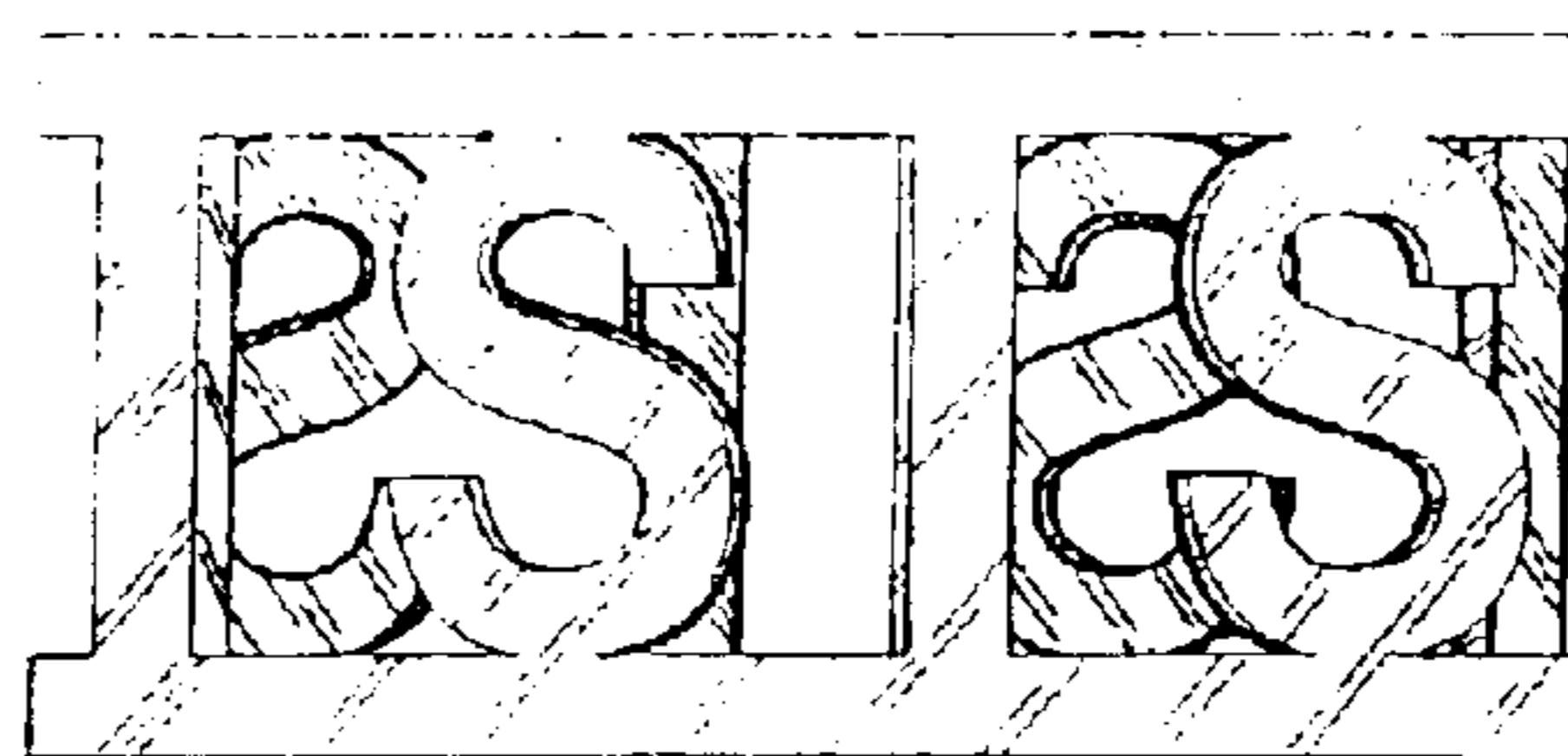


FIG. 5

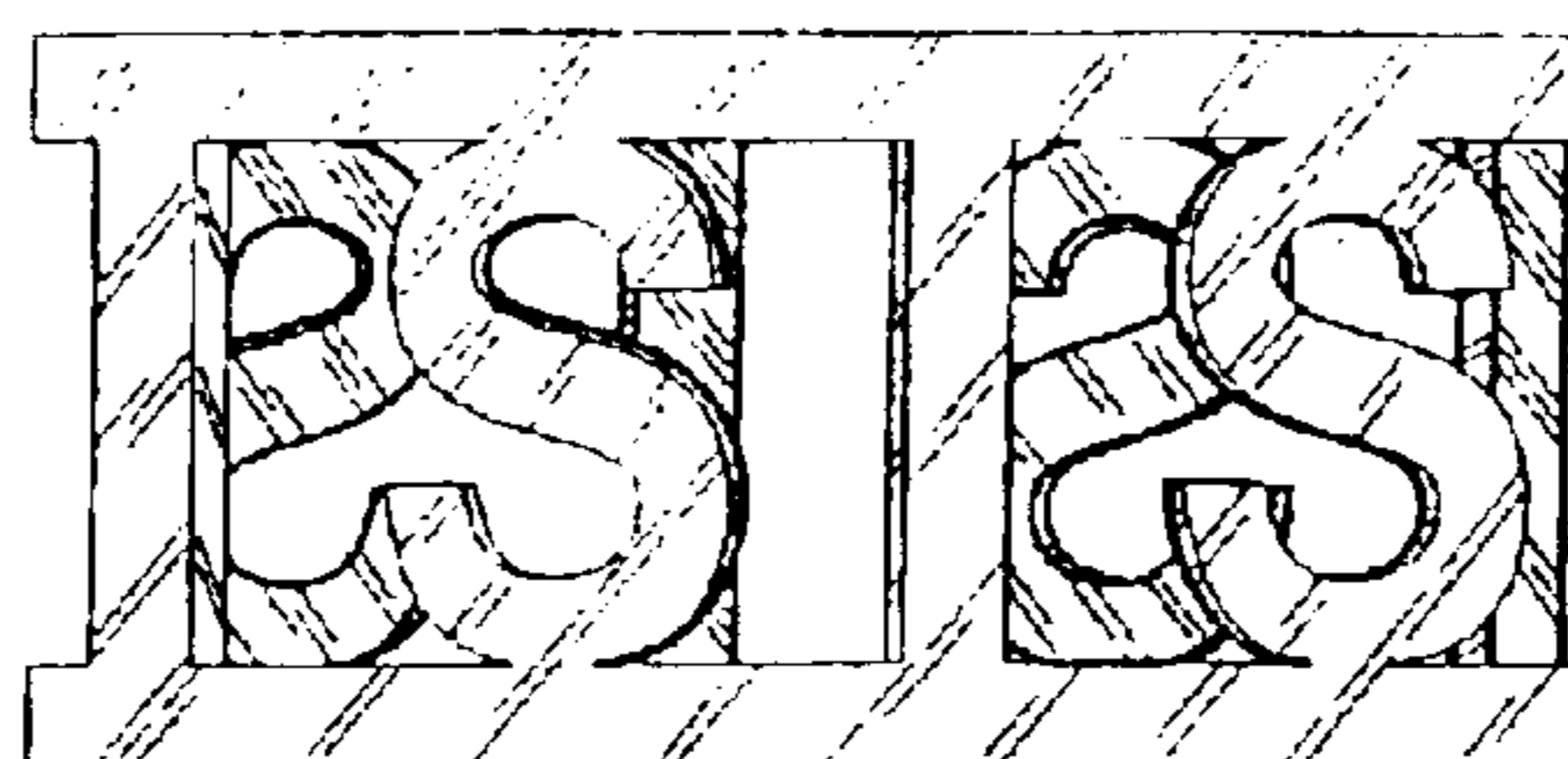


FIG. 6