



US00D506941S

(12) **United States Design Patent**
Leisinger et al.

(10) **Patent No.:** **US D506,941 S**
(45) **Date of Patent:** **** Jul. 5, 2005**

(54) **PRECISION BALANCE**

(75) Inventors: **Roger Leisinger**, Zürich (CH); **Bruno Mattle**, Uster (CH); **Hansjürg Rotach**, Effretikon (CH); **Patrik Morf**, Nänikon (CH); **Hansruedi Künzi**, Greifensee (CH); **Yves Marmier**, La Chaux-de-Fonds (CH)

(73) Assignee: **Mettler-Toledo GmbH**, Greifensee (CH)

(**) Term: **14 Years**

(21) Appl. No.: **29/193,194**

(22) Filed: **Nov. 6, 2003**

(30) **Foreign Application Priority Data**

May 9, 2003 (WO) DM/063 724

(51) **LOC (8) Cl.** **10-04**

(52) **U.S. Cl.** **D10/91**

(58) **Field of Search** D10/91; 177/124,
177/180-182, 238-243

(56) **References Cited**

U.S. PATENT DOCUMENTS

- 3,444,943 A * 5/1969 Tytus 177/180
- 4,526,246 A * 7/1985 Patoray 177/179
- 4,719,980 A * 1/1988 Knothe et al. 177/180
- D302,665 S * 8/1989 Busse D10/91
- D303,358 S * 9/1989 Busse D10/91

- D472,833 S * 4/2003 Thadani D10/91
- 6,583,369 B2 * 6/2003 Montagnino et al. 177/177
- D497,560 S * 10/2004 Lawler et al. D10/91

* cited by examiner

Primary Examiner—Antoine D. Davis

(74) *Attorney, Agent, or Firm*—Burns, Doane, Swecker & Mathis, L.L.P.

(57) **CLAIM**

The ornamental design for a precision balance, as shown and described.

DESCRIPTION

FIG. 1 is a front, top perspective view of a precision balance showing a first embodiment of our new design.

FIG. 2 is a top plan view thereof.

FIG. 3 is a right side elevational view thereof.

FIG. 4 is a front elevational view thereof.

FIG. 5 is a left side elevational view thereof.

FIG. 6 is a rear elevational view thereof.

FIG. 7 is a bottom plan view thereof.

FIG. 8 is a front, top perspective view of a second embodiment of our new design.

FIG. 9 is a top plan view thereof.

FIG. 10 is a right side elevational view thereof.

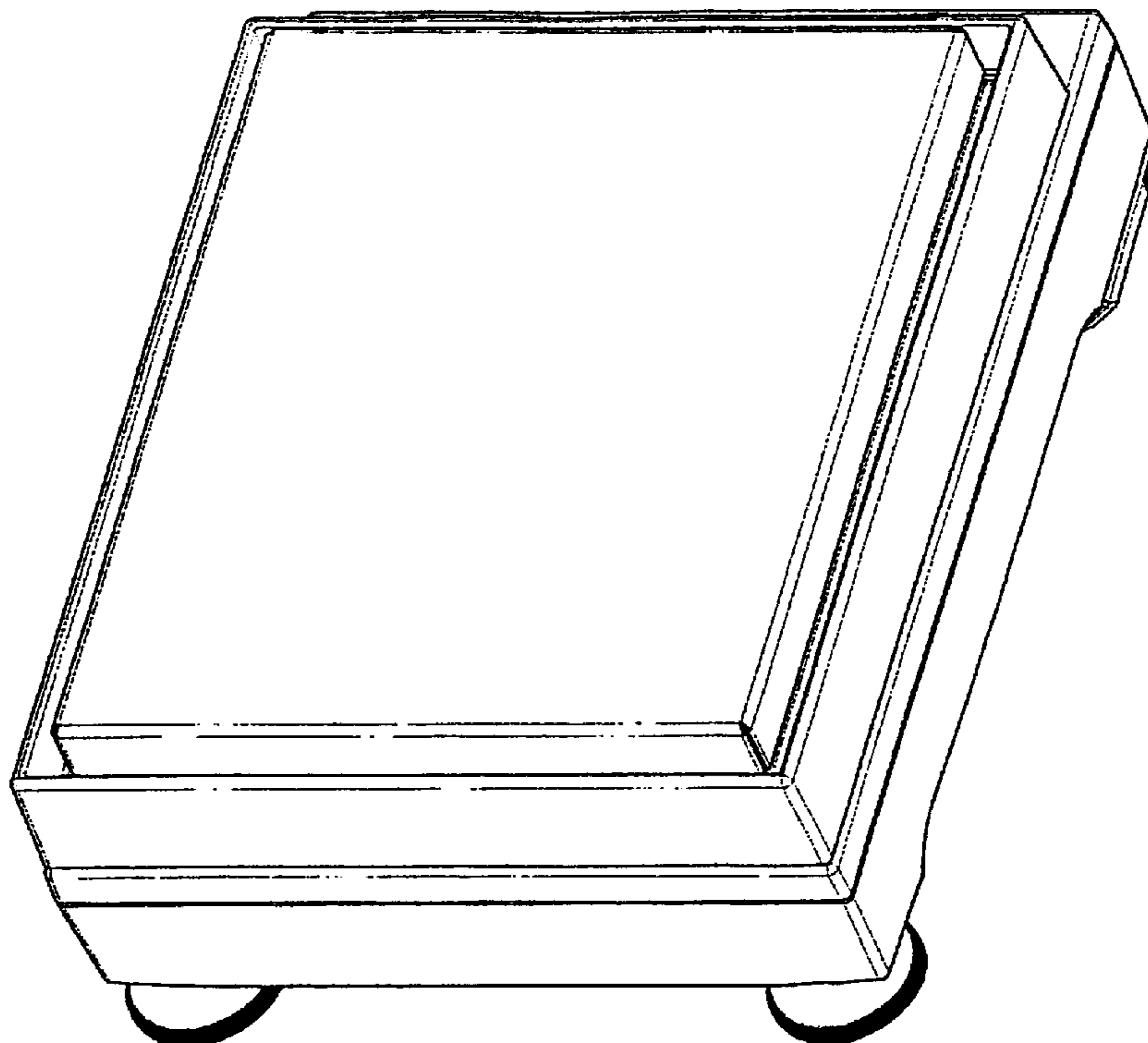
FIG. 11 is a front elevational view thereof.

FIG. 12 is a left side elevational view thereof.

FIG. 13 is a rear elevational view thereof; and,

FIG. 14 is a bottom plan view thereof.

1 Claim, 5 Drawing Sheets



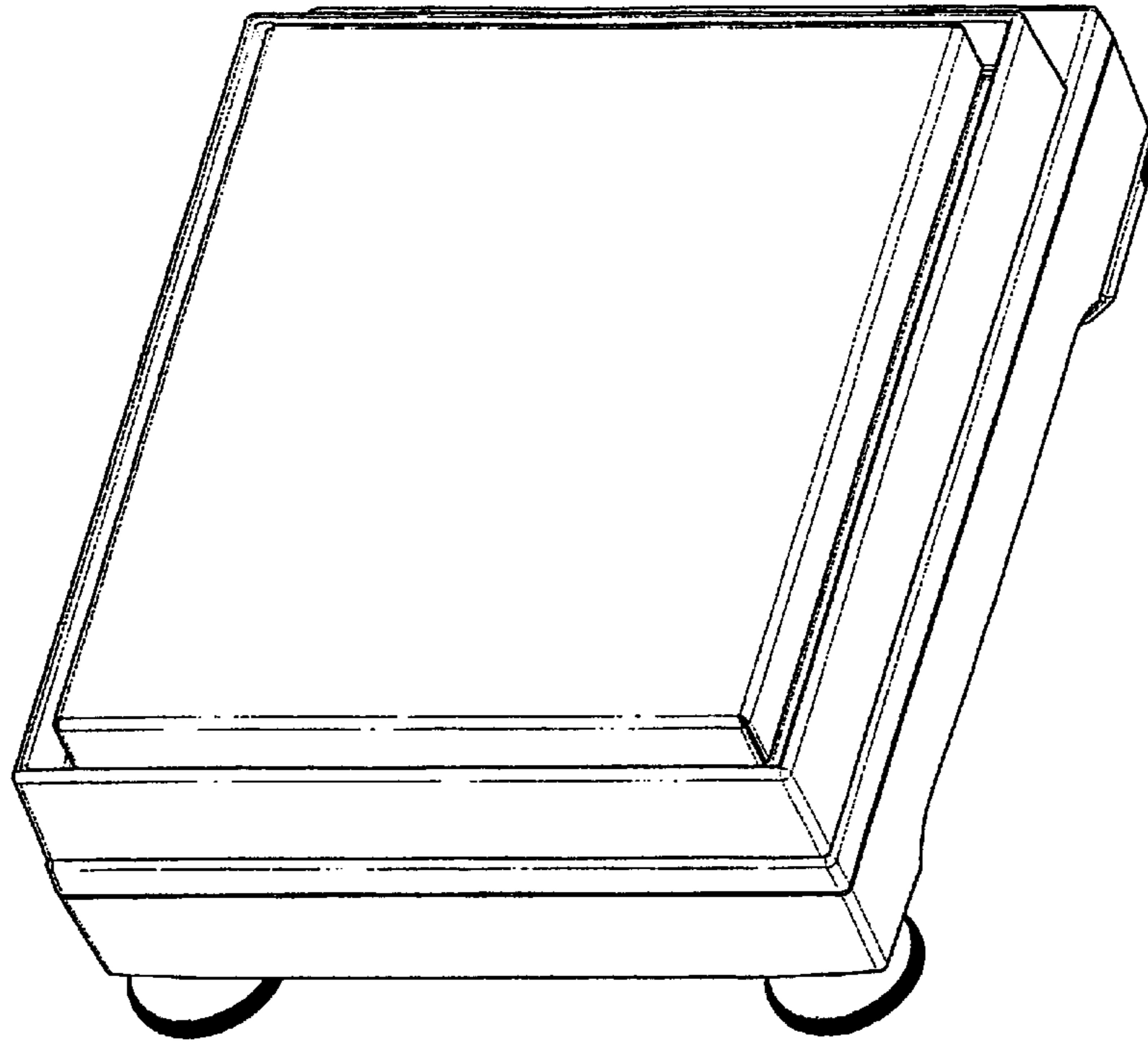


FIG. 1

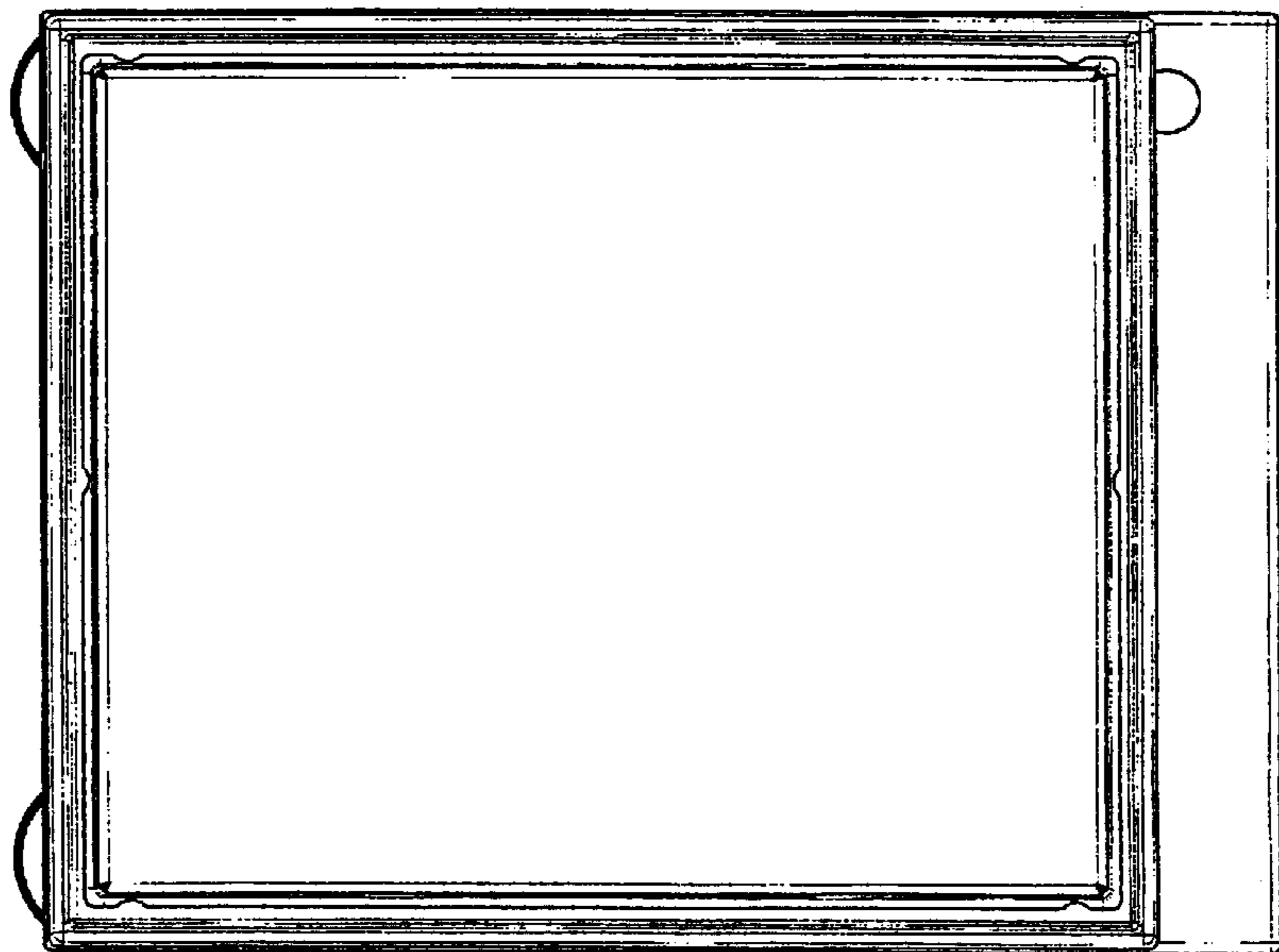


FIG. 2

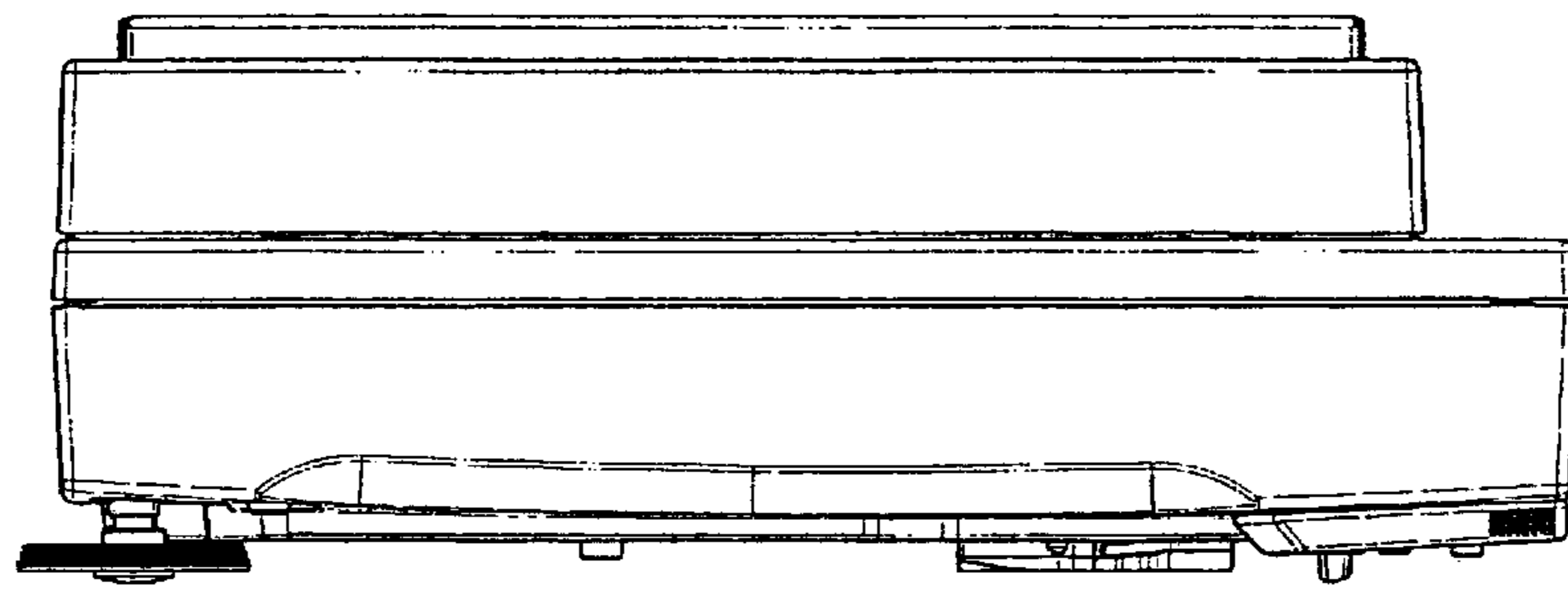


FIG. 3

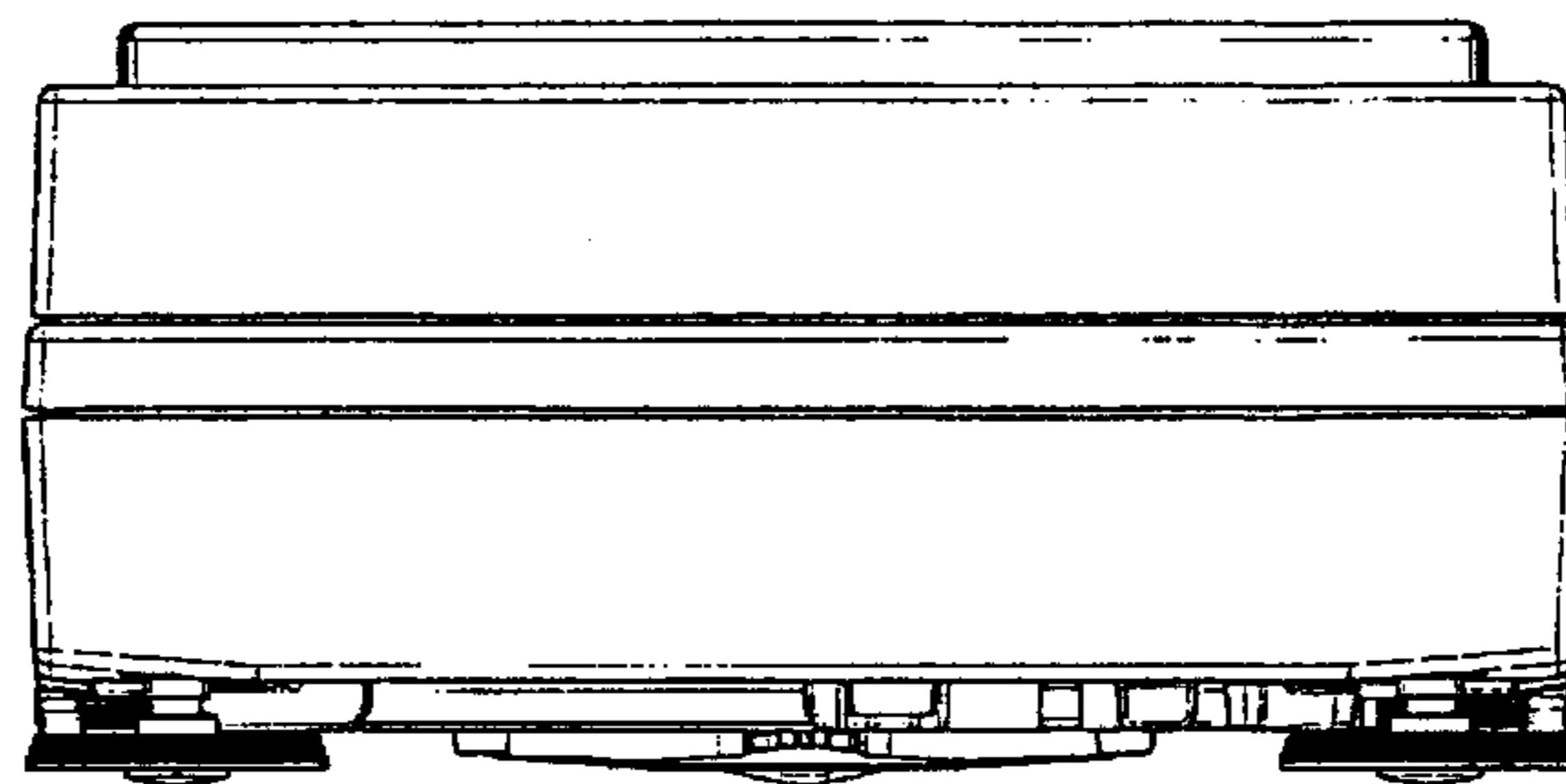


FIG. 4

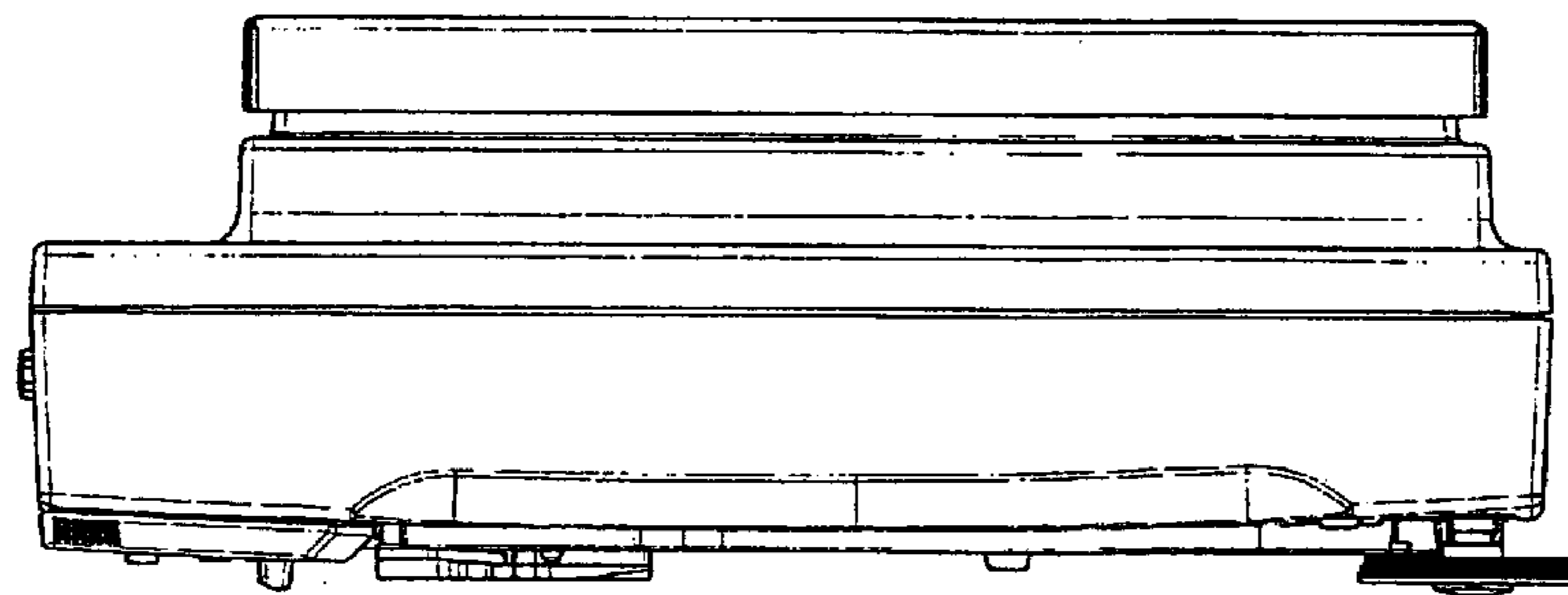


FIG. 5

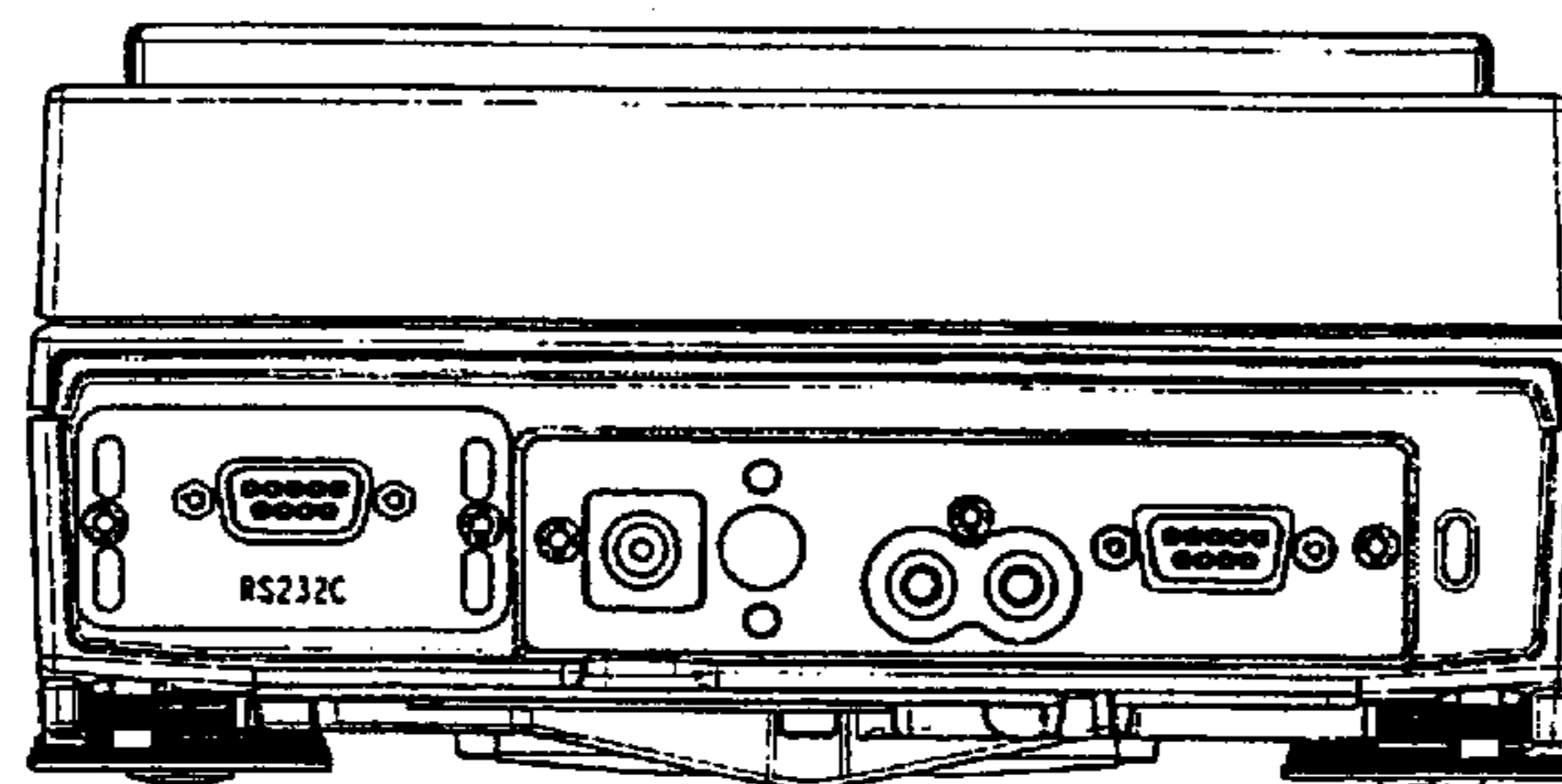


FIG. 6

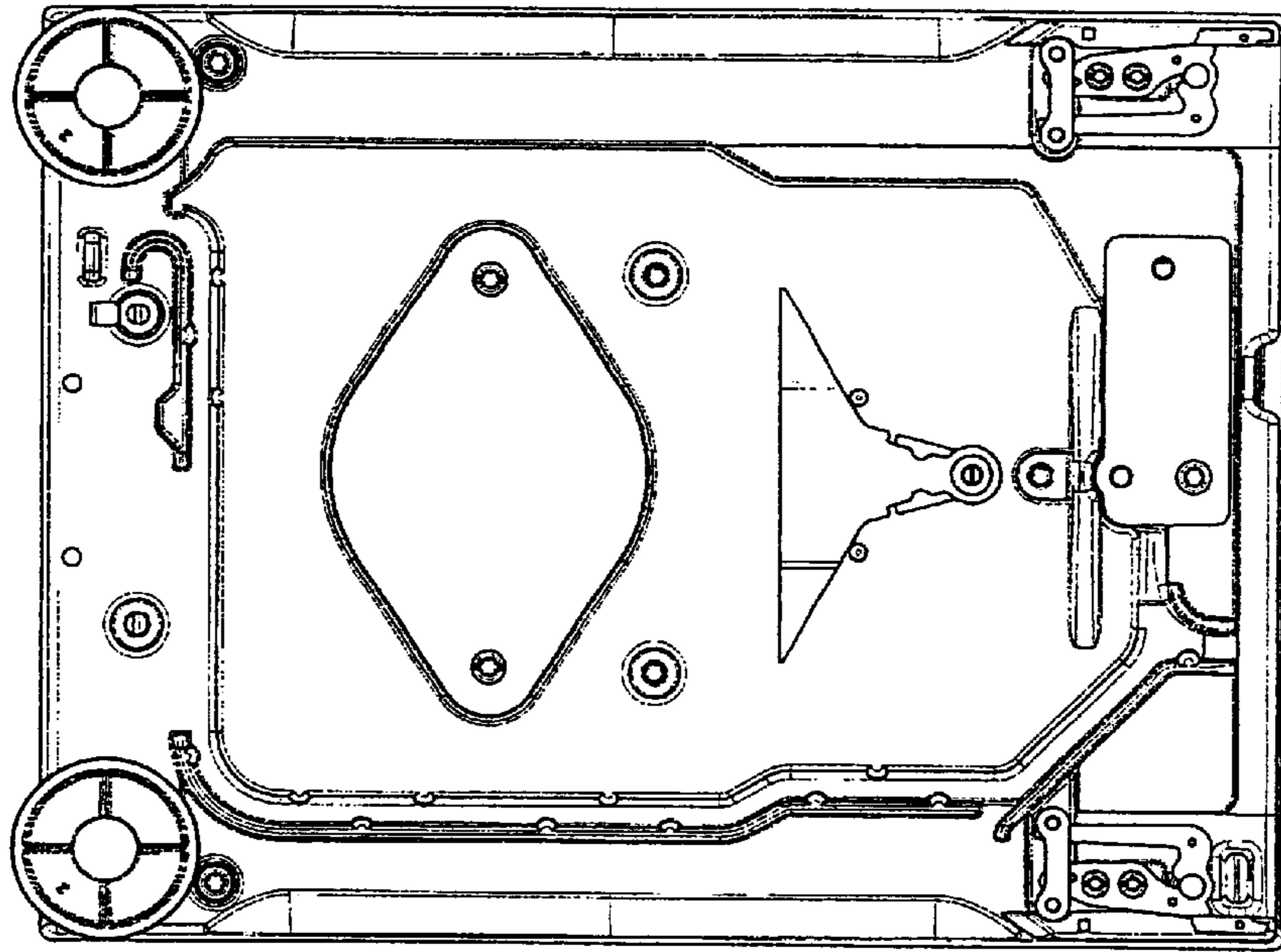


FIG. 7

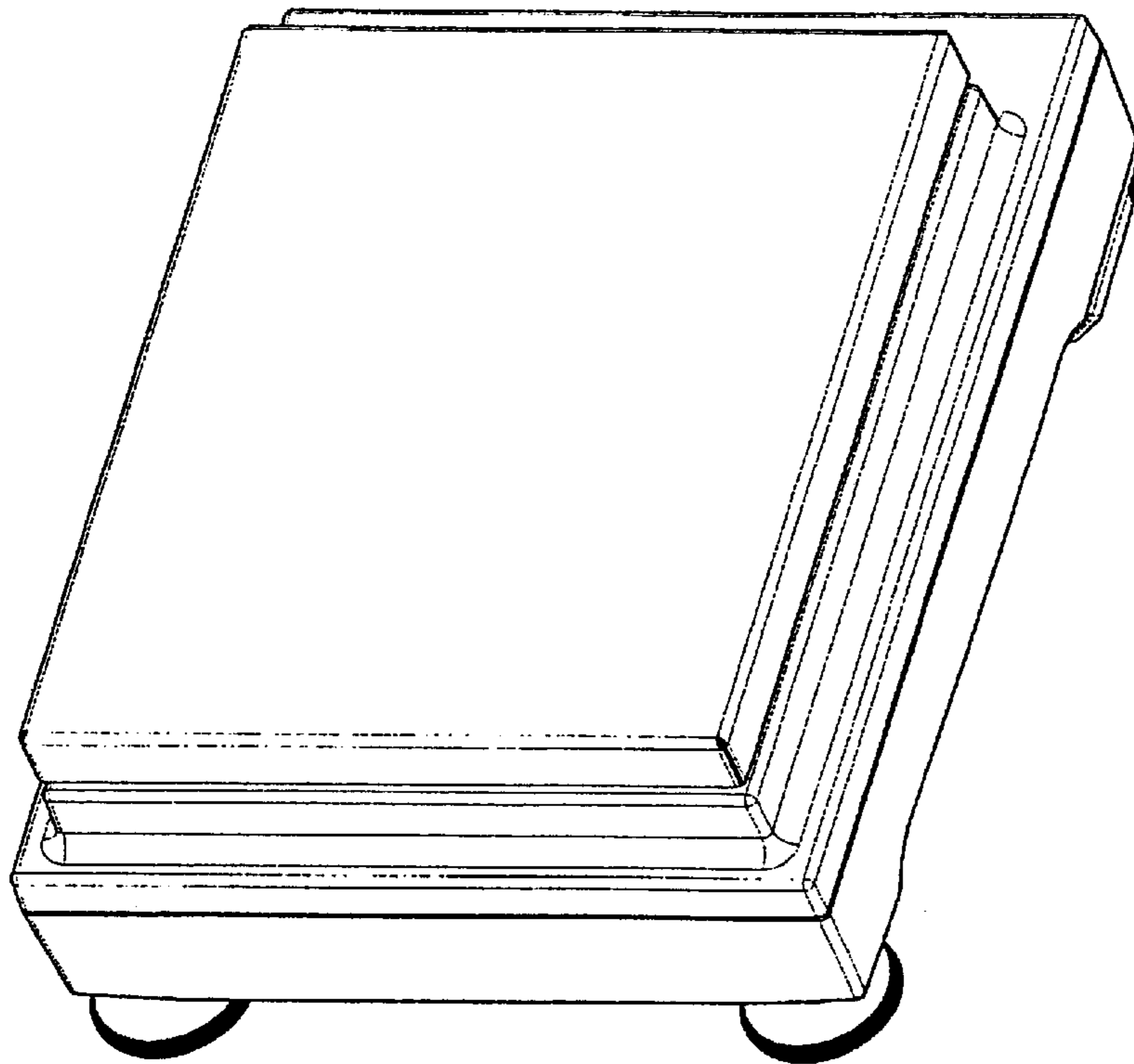


FIG. 8

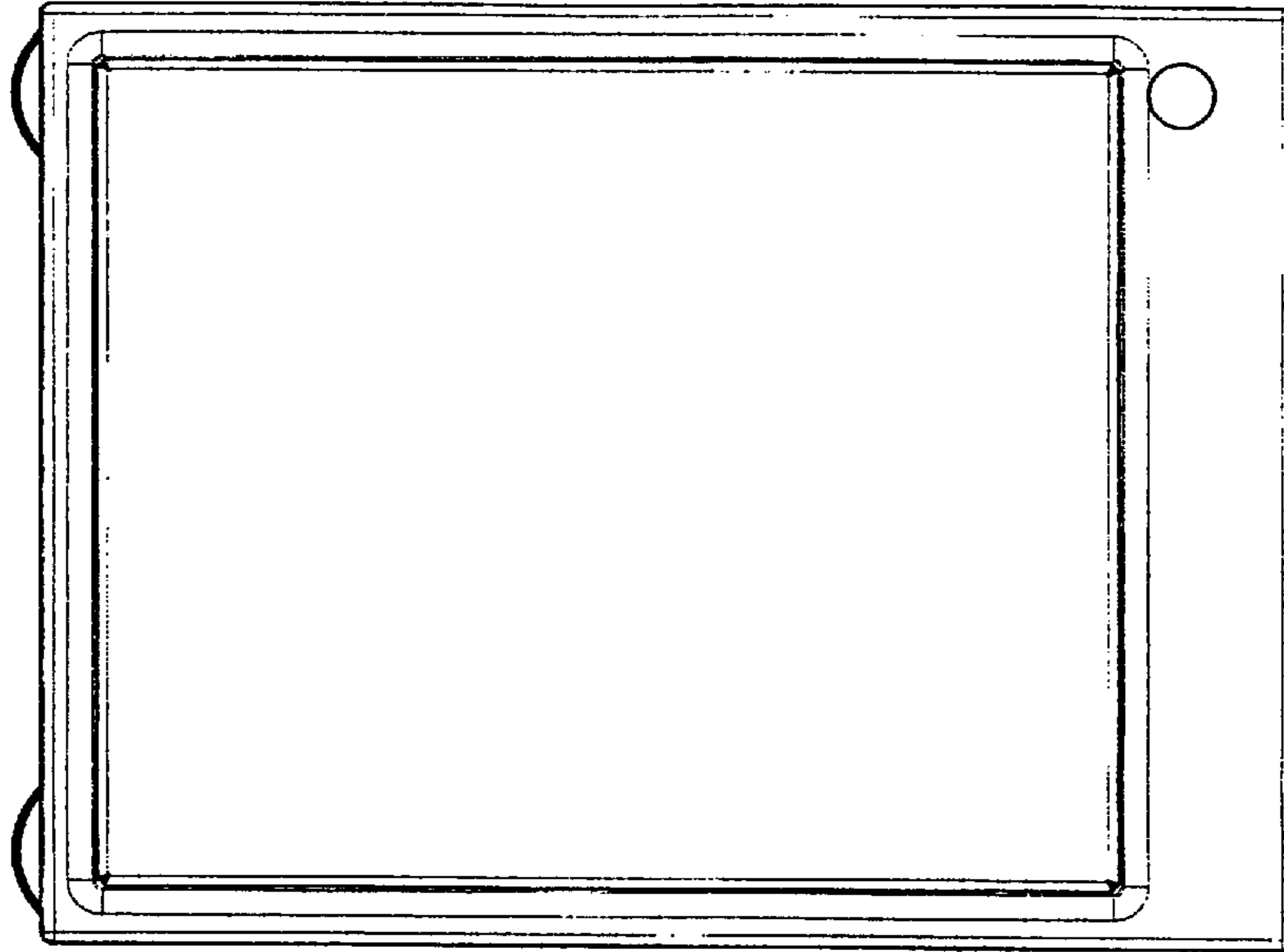


FIG. 9

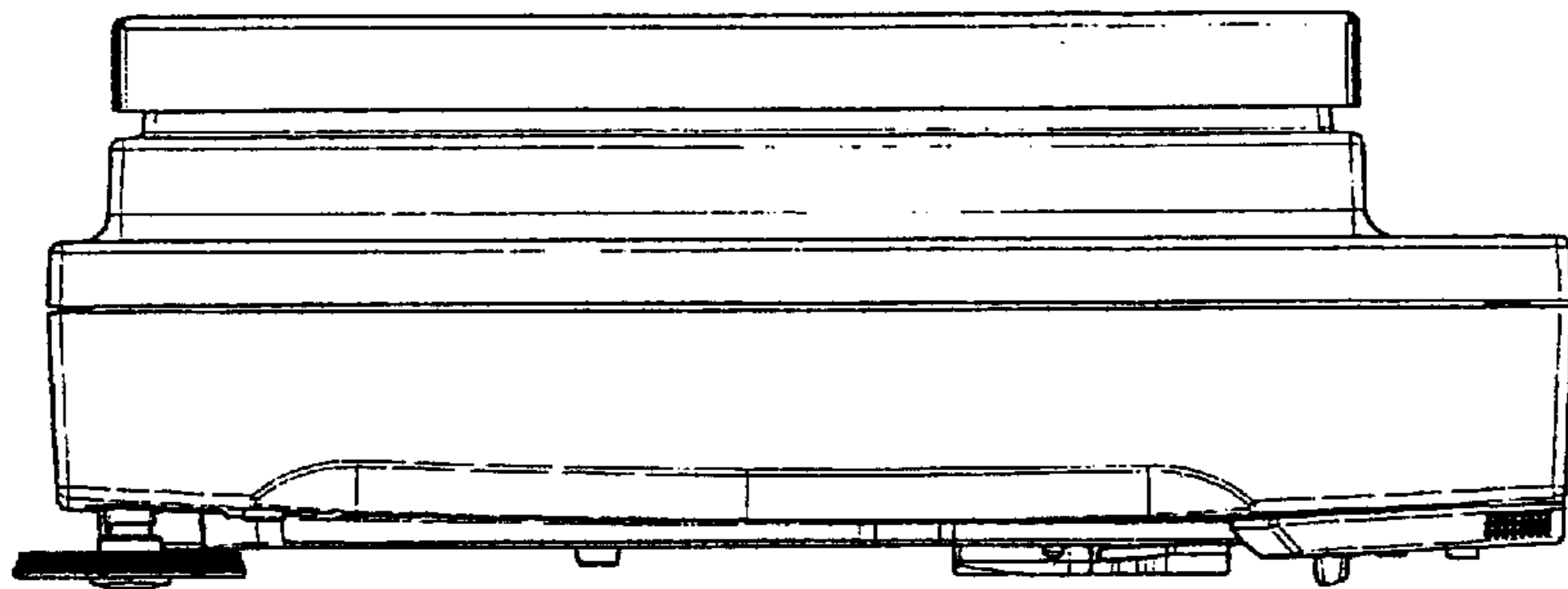


FIG. 10

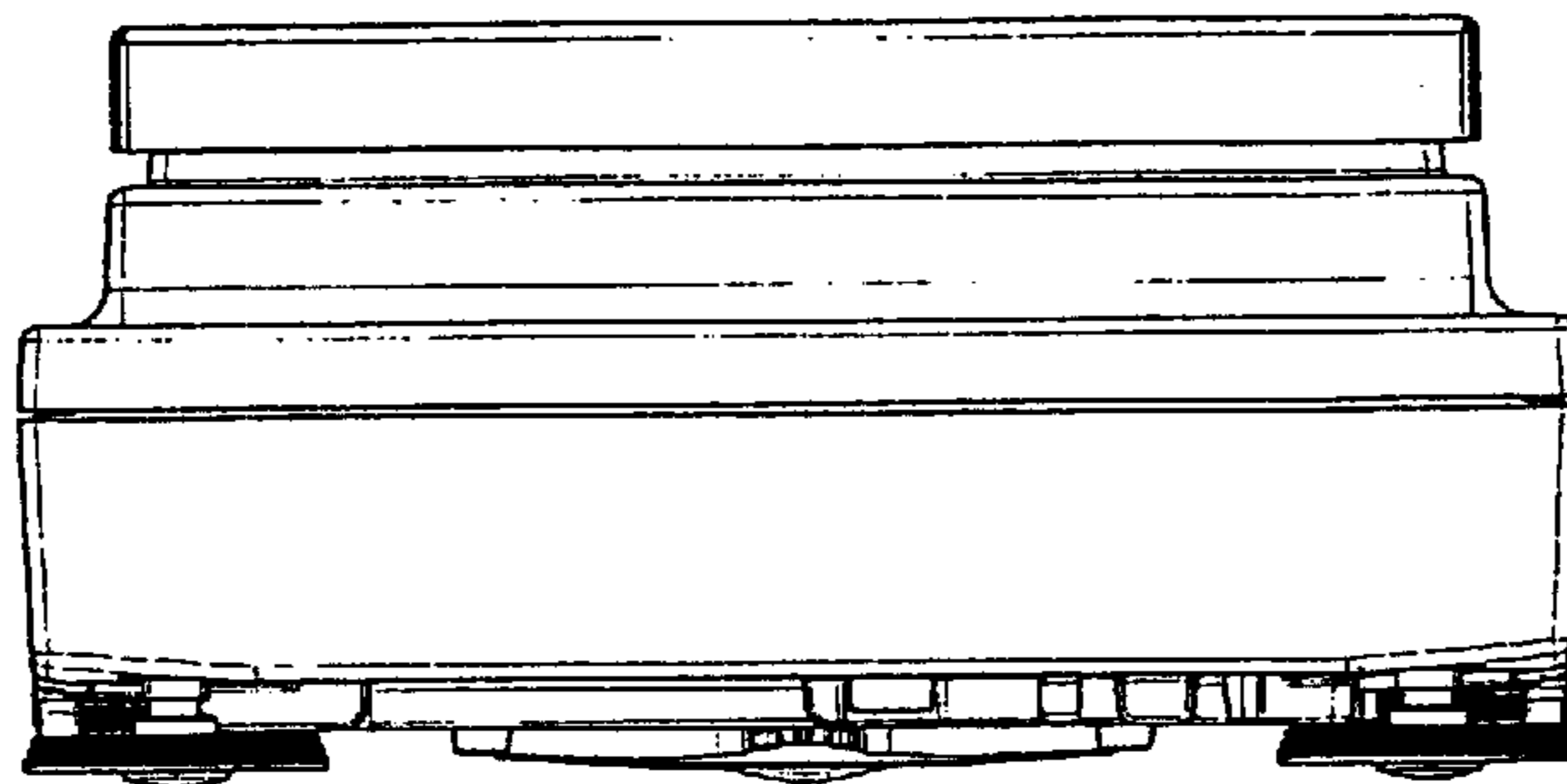


FIG. 11

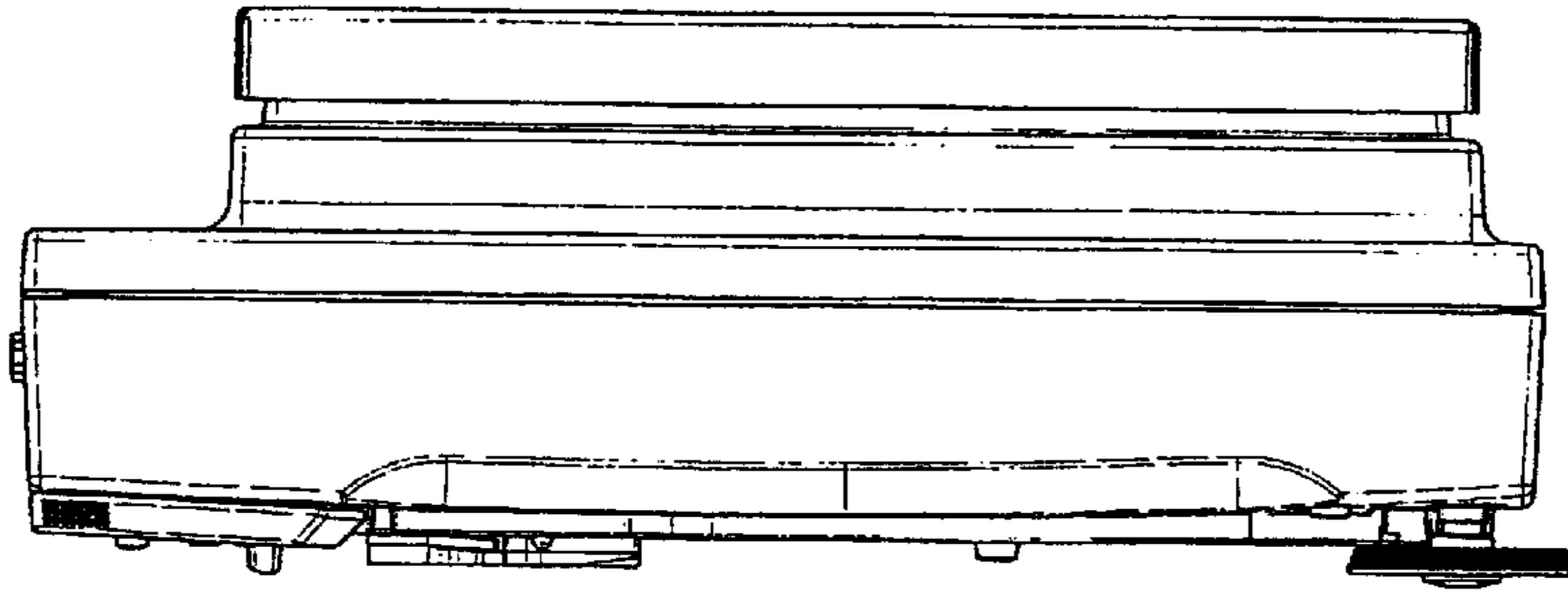


FIG. 12

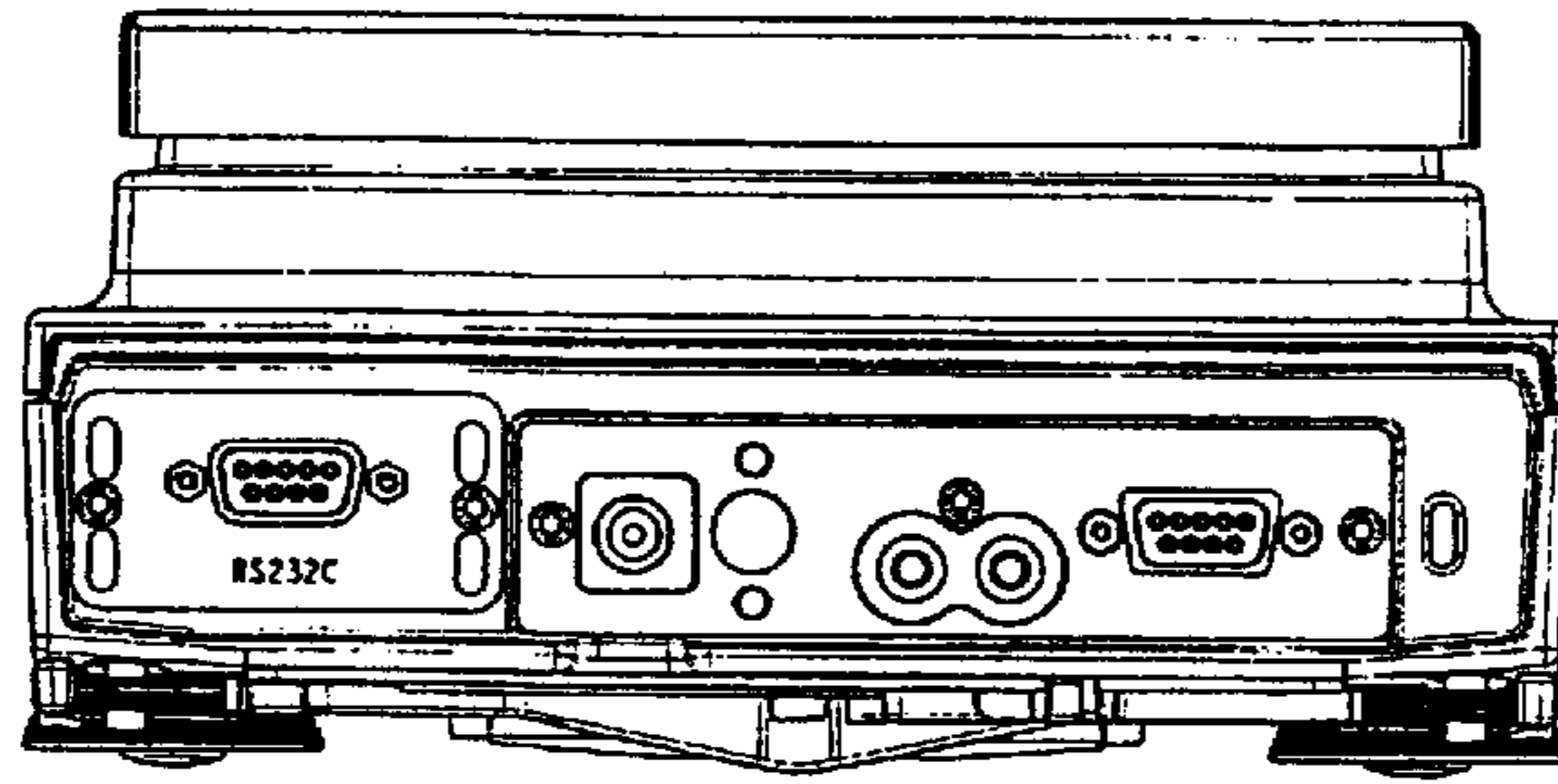


FIG. 13

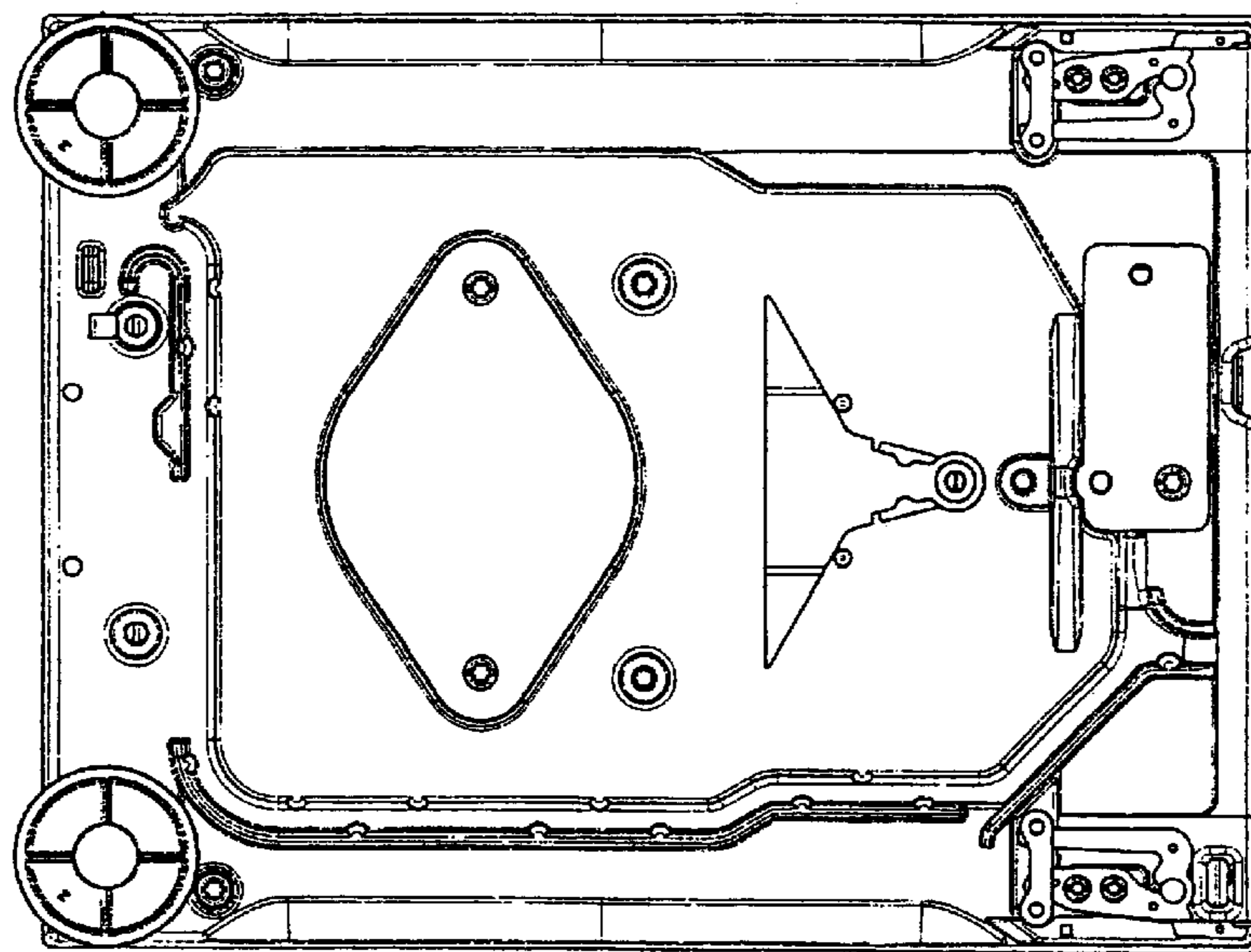


FIG. 14