

US00D506938S

(12) **United States Design Patent**  
**Ostler**

(10) **Patent No.:** **US D506,938 S**

(45) **Date of Patent:** **\*\* Jul. 5, 2005**

(54) **RULER SET**

6,725,558 B2 \* 4/2004 Gommer et al. .... 33/471

(76) **Inventor:** **Elliott Ostler**, 1040 Buckskin Cir.,  
Elkhorn, NE (US) 68022

\* cited by examiner

*Primary Examiner*—Antoine D. Davis

(74) *Attorney, Agent, or Firm*—Adam H. Jacobs

(\*\*) **Term:** **14 Years**

(57) **CLAIM**

(21) **Appl. No.:** **29/201,158**

The ornamental design for an improved ruler set, as shown and described.

(22) **Filed:** **Mar. 11, 2004**

(51) **LOC (8) Cl.** ..... **10-04**

**DESCRIPTION**

(52) **U.S. Cl.** ..... **D10/71**

(58) **Field of Search** ..... D10/71; 33/484-495,  
33/42, DIG. 9; 235/70 R

FIG. 1 is a front perspective view of the improved ruler set of the present invention;

FIG. 2 is a front elevational view thereof;

FIG. 3 is side elevational view thereof;

FIG. 4 is a top plan view thereof; and,

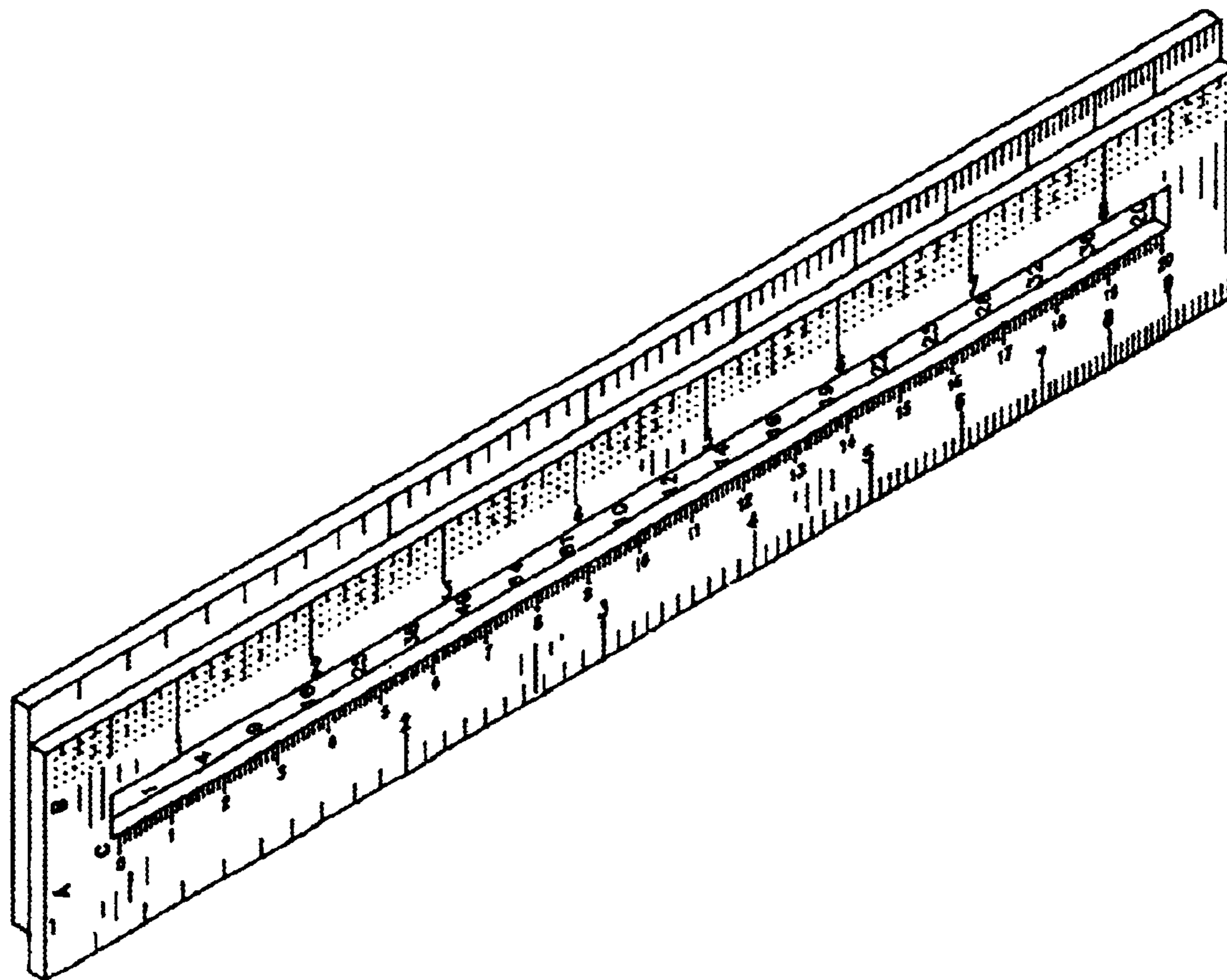
FIG. 5 is rear elevational view thereof.

(56) **References Cited**

**U.S. PATENT DOCUMENTS**

- 3,717,298 A \* 2/1973 Brugger ..... 235/70 R
- 5,310,995 A \* 5/1994 Ouellet et al. .... 235/70 R
- 6,708,417 B1 \* 3/2004 Wilkins ..... 33/485

**1 Claim, 1 Drawing Sheet**



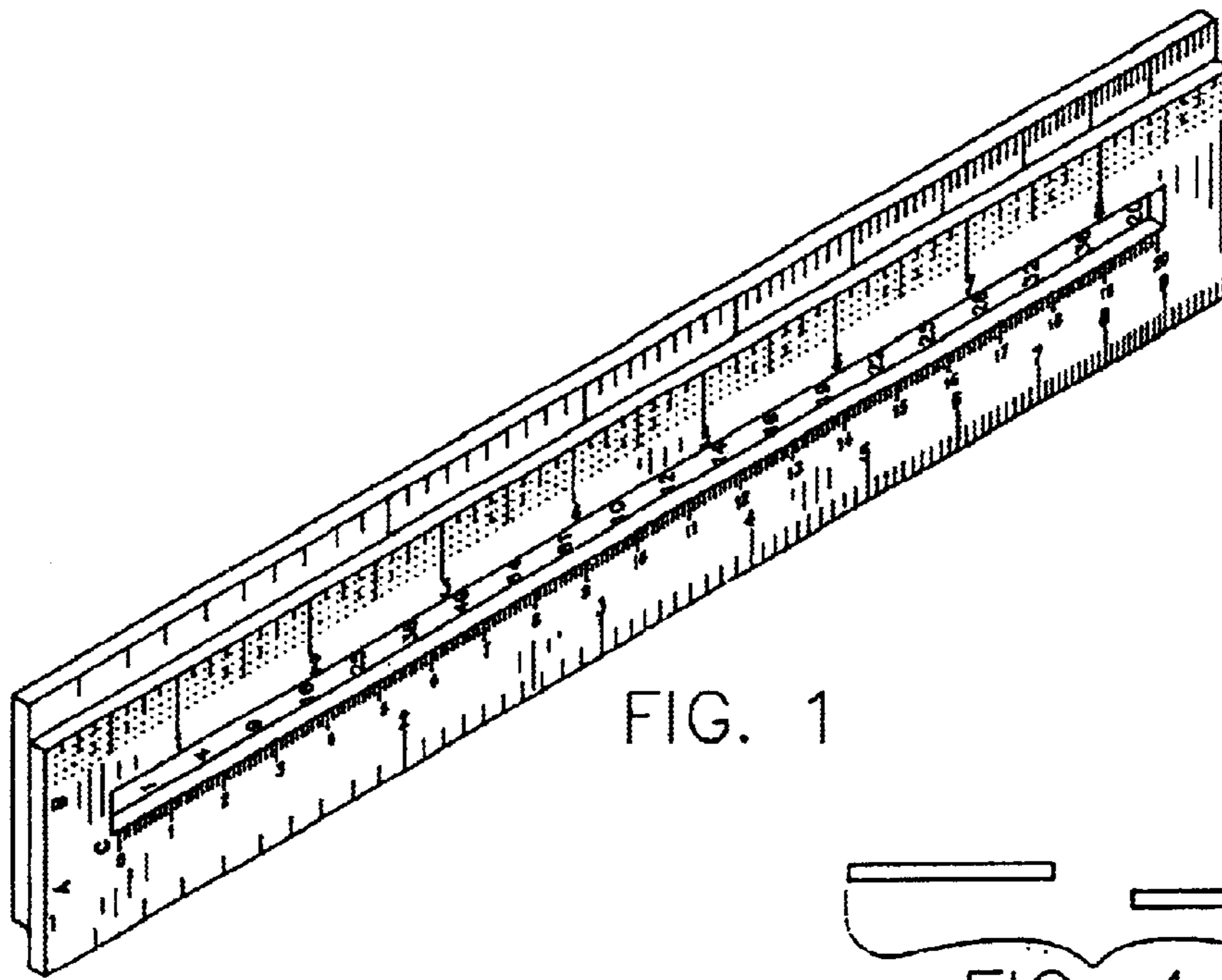


FIG. 1

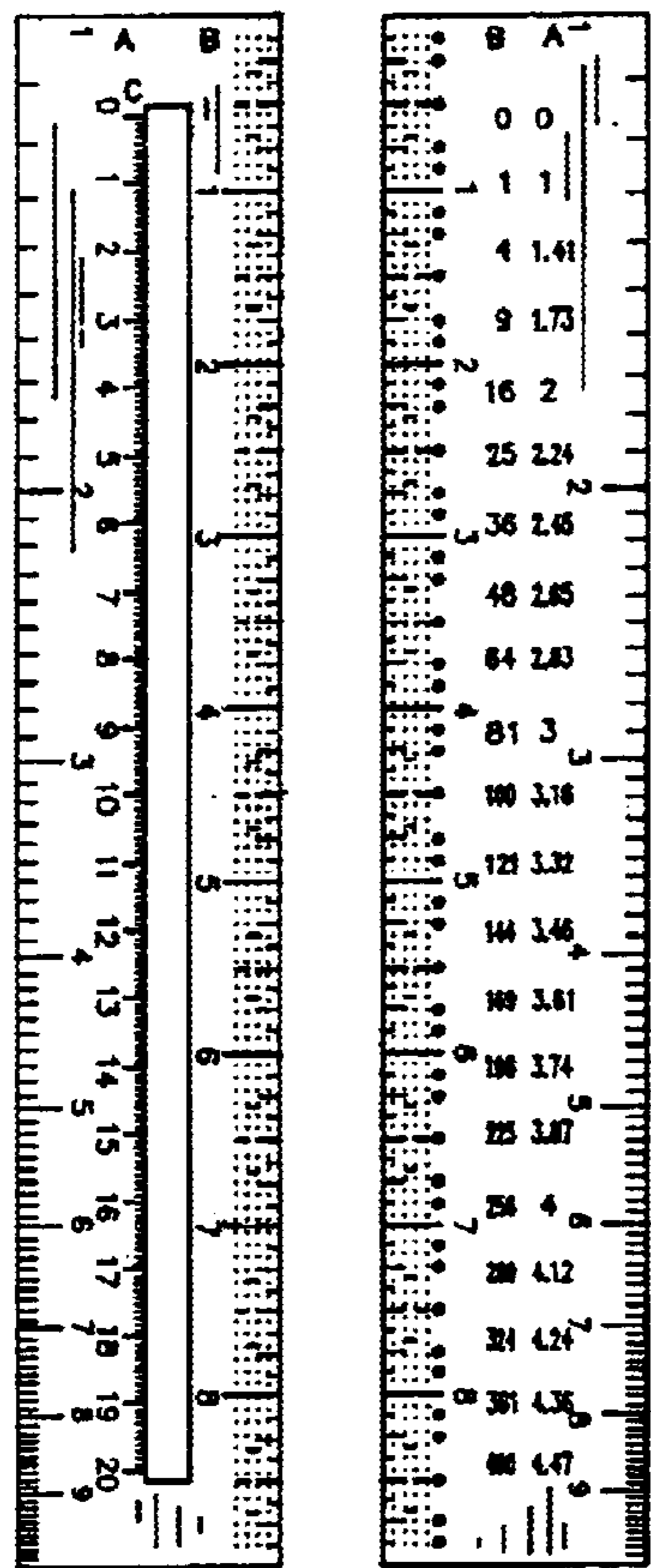


FIG. 2

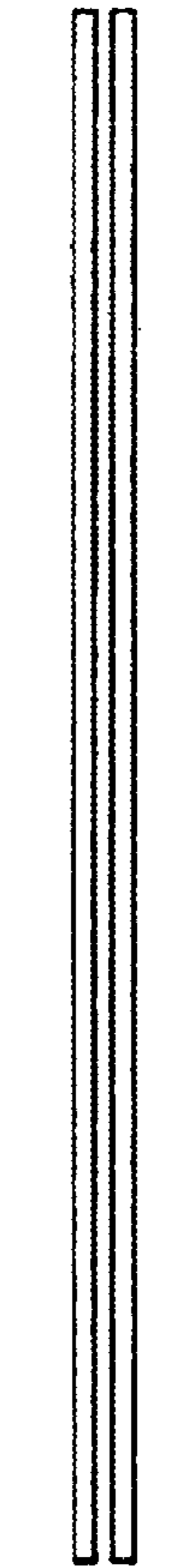


FIG. 3

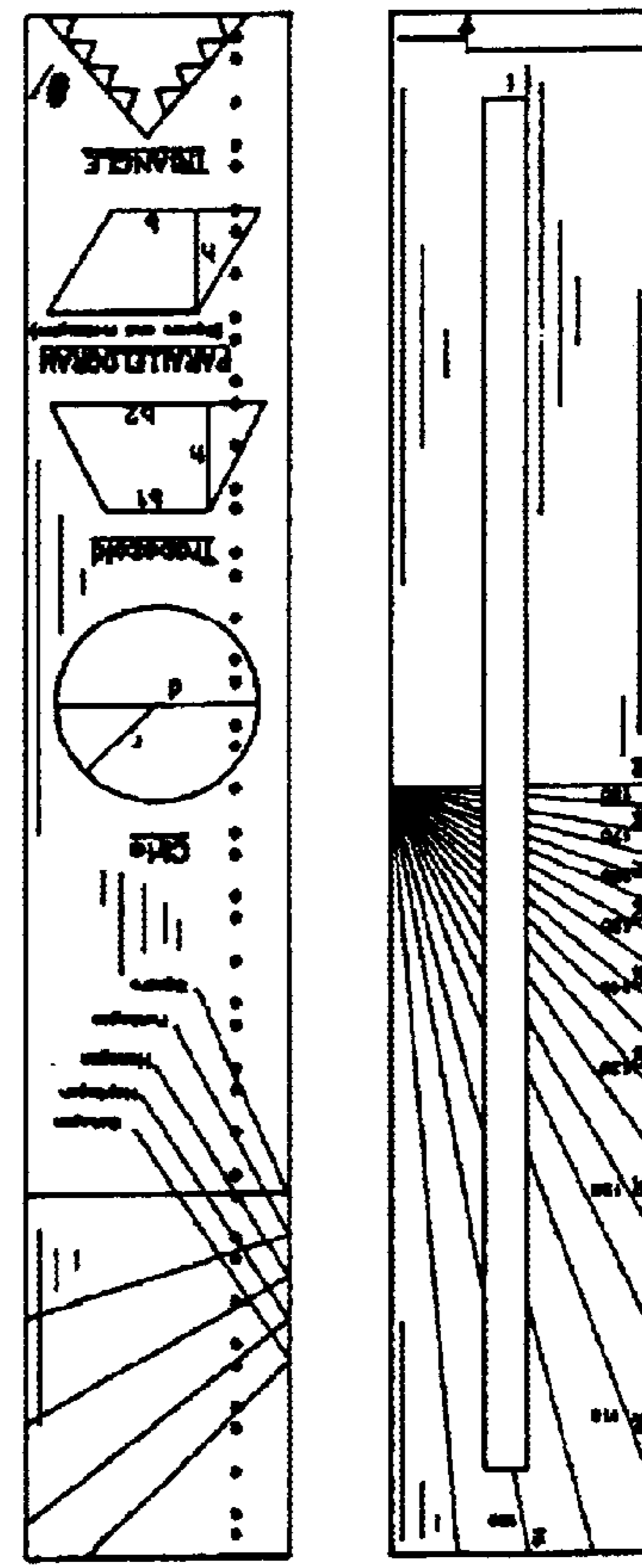


FIG. 5