

US00D506937S

(12) **United States Design Patent**
Lee et al.

(10) **Patent No.: US D506,937 S**
(45) **Date of Patent: ** Jul. 5, 2005**

(54) **NAVIGATION UNIT FOR AUTOMOBILE**

(75) Inventors: **Ja-Youn Lee**, Seoul (KR); **Jong-Seong Lee**, Seoul (KR); **Beom-Ku Han**, Seoul (KR)

(73) Assignee: **Samsung Electronics Co., Ltd.**, Kyunggi-do (KR)

(**) Term: **14 Years**

(21) Appl. No.: **29/204,880**

(22) Filed: **May 5, 2004**

(51) **LOC (8) Cl.** **10-04**

(52) **U.S. Cl.** **D10/65; D10/78**

(58) **Field of Search** .. D10/65, 78; 342/357.06–357.09, 342/357.1, 357.13; 343/702; 701/206–209, 213–214

D461,134 S *	8/2002	Eckelberger	D10/65
D467,512 S *	12/2002	Miyazaki	D10/65
6,501,429 B2 *	12/2002	Nakamura et al.	343/702
6,580,375 B2 *	6/2003	Ruhl	340/988
6,646,873 B2 *	11/2003	Chu-Chia et al.	361/686
6,693,586 B1 *	2/2004	Walters et al.	342/357.13
6,727,930 B2 *	4/2004	Currans et al.	715/864
6,775,133 B2 *	8/2004	Konishi et al.	361/686
6,826,473 B1 *	11/2004	Burch et al.	701/207
6,852,033 B2 *	2/2005	Kinjo et al.	463/30
6,853,917 B2 *	2/2005	Miwa	701/213

* cited by examiner

Primary Examiner—Antoine D. Davis

(74) *Attorney, Agent, or Firm*—Flynn, Thiel, Boutell & Tanis, P.C.

(57) **CLAIM**

The ornamental design for a navigation unit for automobile, as shown and described.

(56) **References Cited**

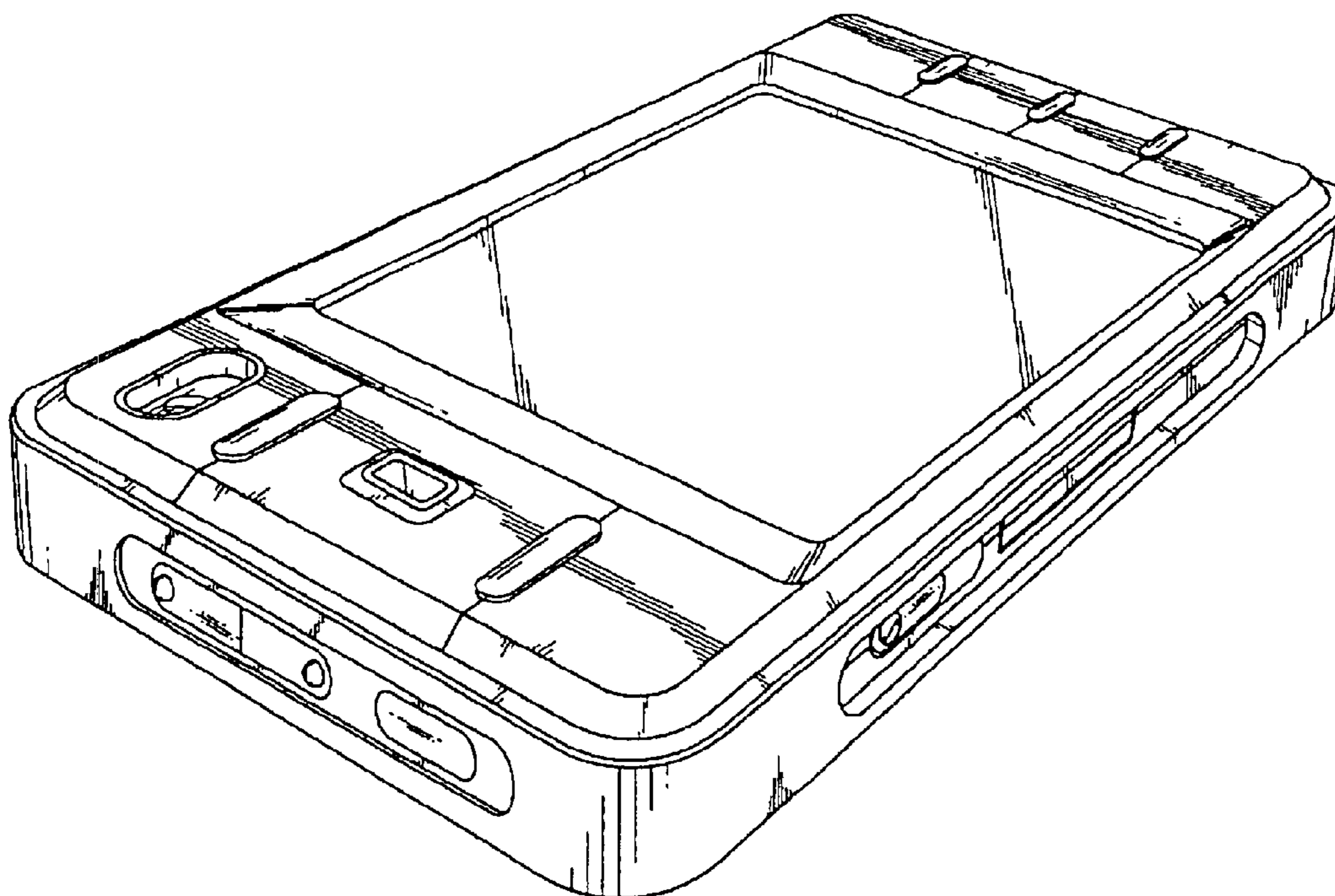
U.S. PATENT DOCUMENTS

D366,220 S *	1/1996	Sakamoto	D10/65
D383,400 S *	9/1997	Wada	D10/65
D386,099 S *	11/1997	Billington	D10/75
D417,201 S *	11/1999	Davis	D10/65
6,199,102 B1 *	3/2001	Cobb	709/206
6,243,645 B1 *	6/2001	Moteki et al.	701/211
6,359,585 B1 *	3/2002	Bechman et al.	342/359
D457,445 S *	5/2002	Schoenfish	D10/65
D459,667 S *	7/2002	Kataoka	D10/65

DESCRIPTION

FIG. 1. is a bottom front perspective view of a navigation unit for automobile showing our new design.
 FIG. 2. is a front elevational view thereof.
 FIG. 3. is a rear elevational view thereof.
 FIG. 4. is a left side elevational view thereof.
 FIG. 5. is a right side elevational view thereof.
 FIG. 6. is a top plan view thereof; and,
 FIG. 7. is a bottom plan view thereof.

1 Claim, 4 Drawing Sheets



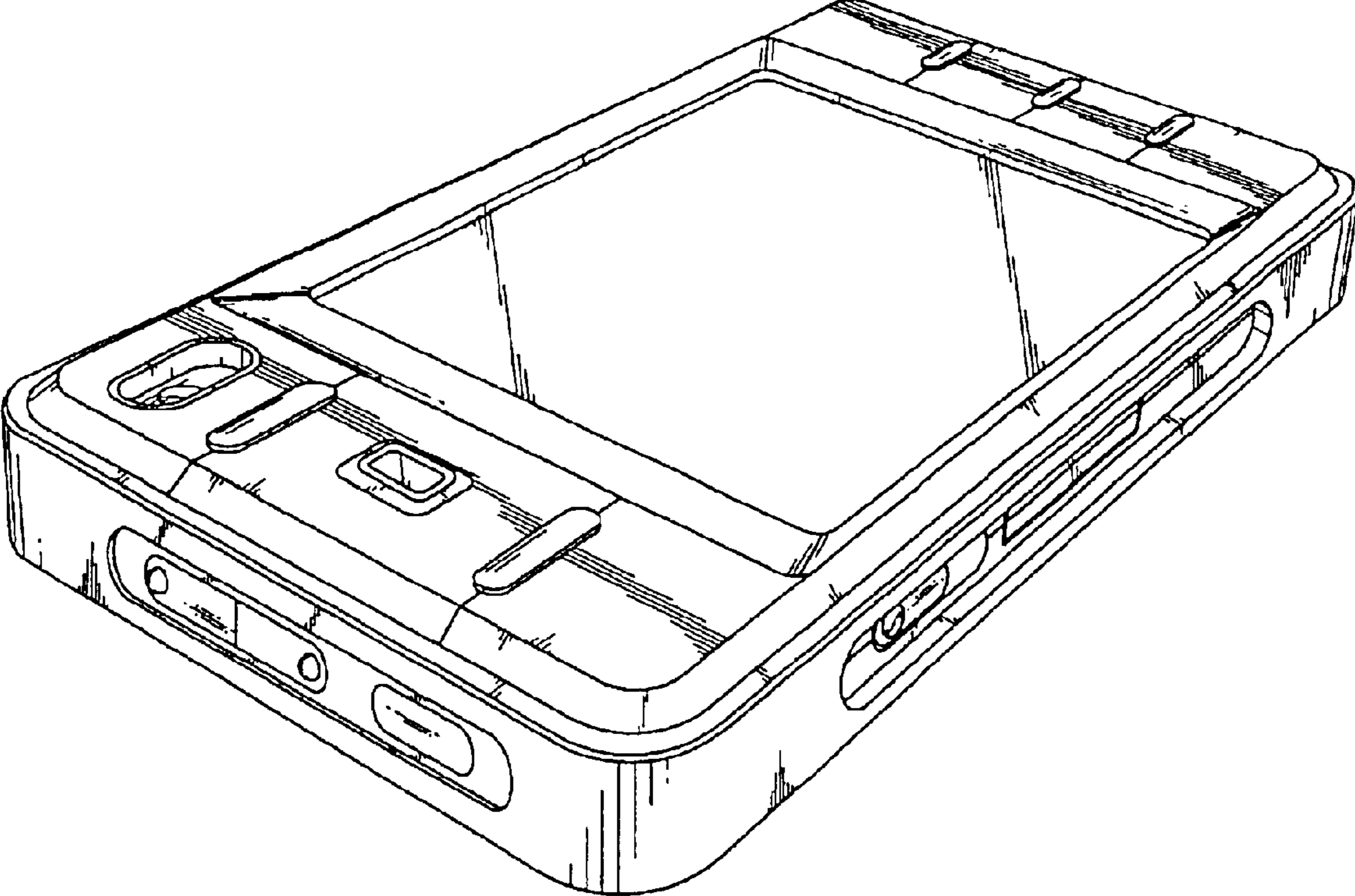


FIG. 1

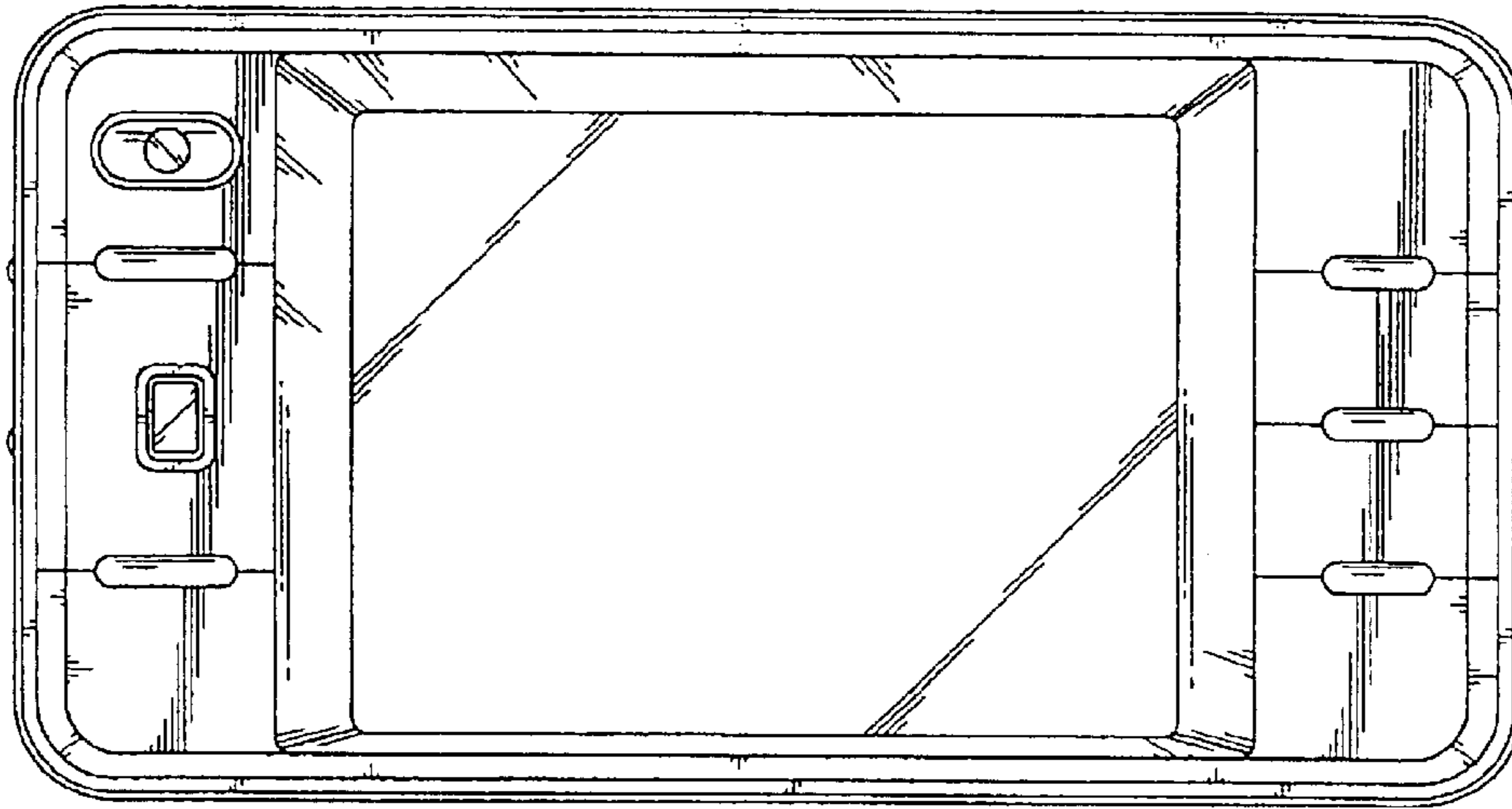


FIG. 2

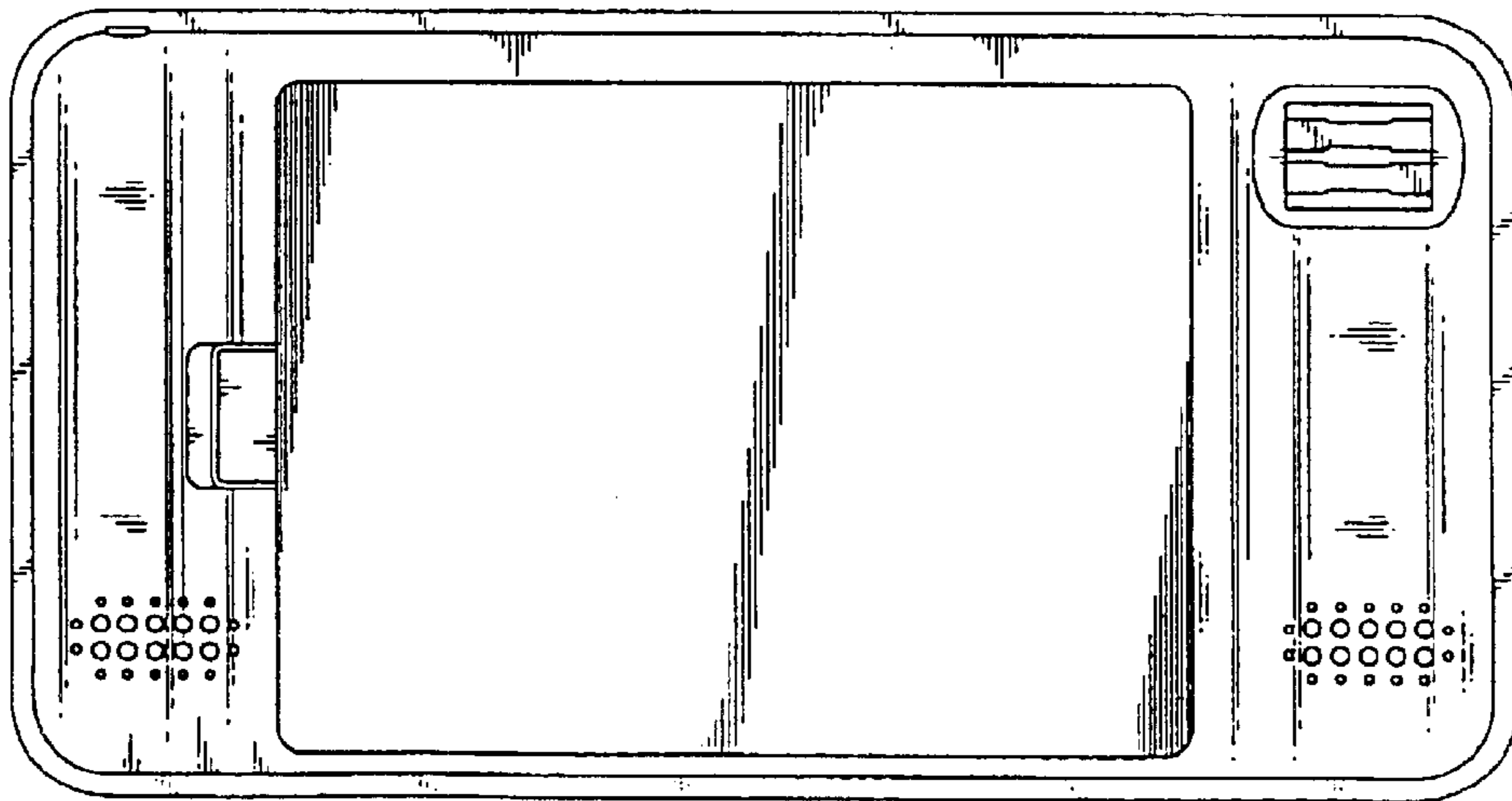


FIG. 3

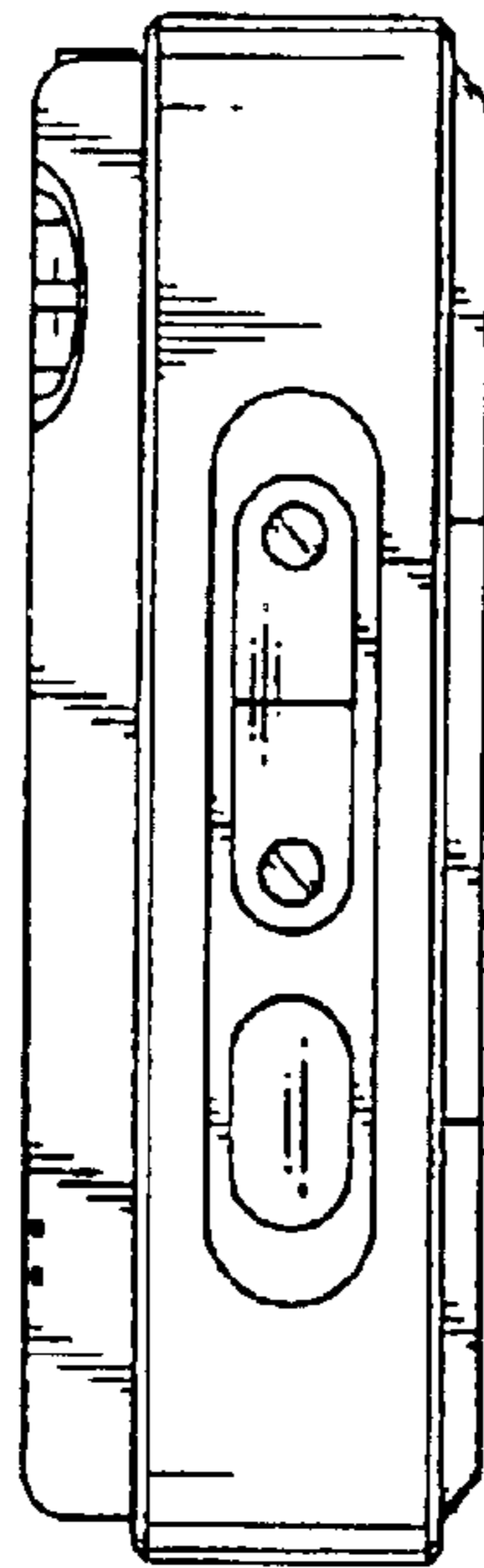


FIG. 4

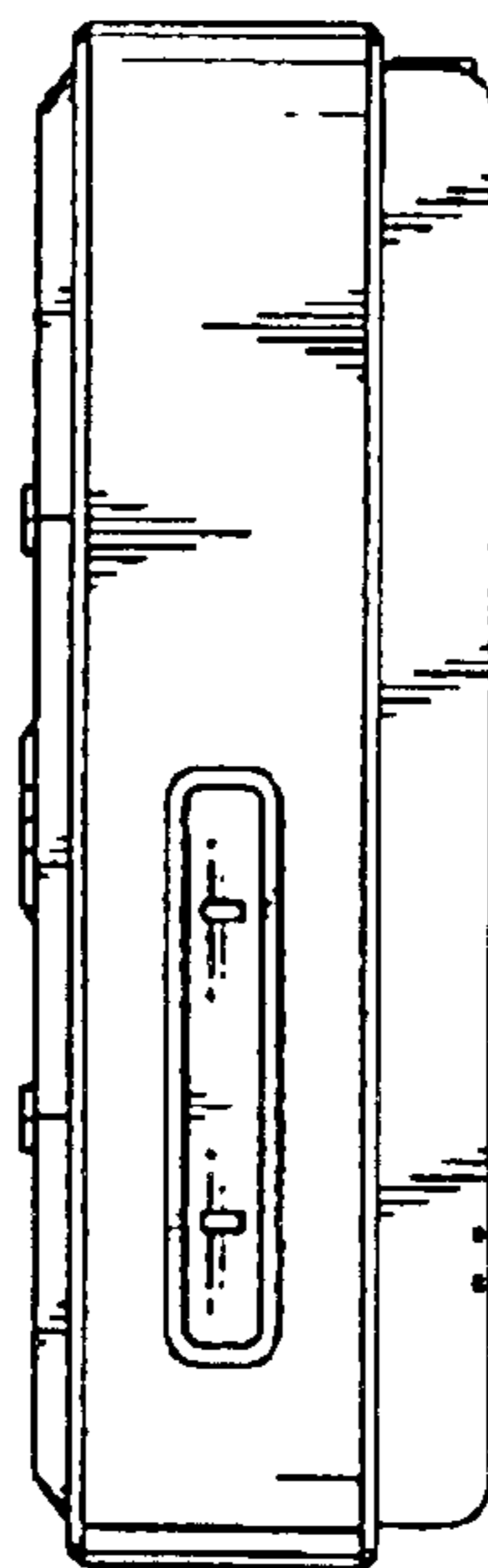


FIG. 5

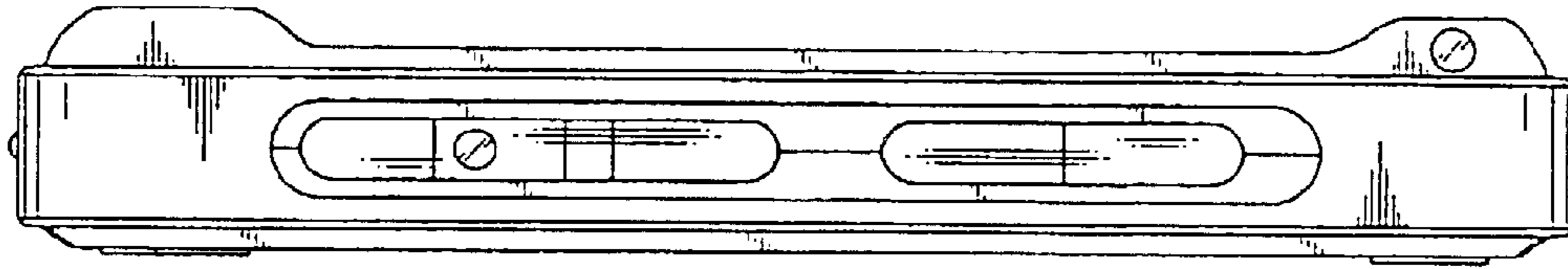


FIG. 6

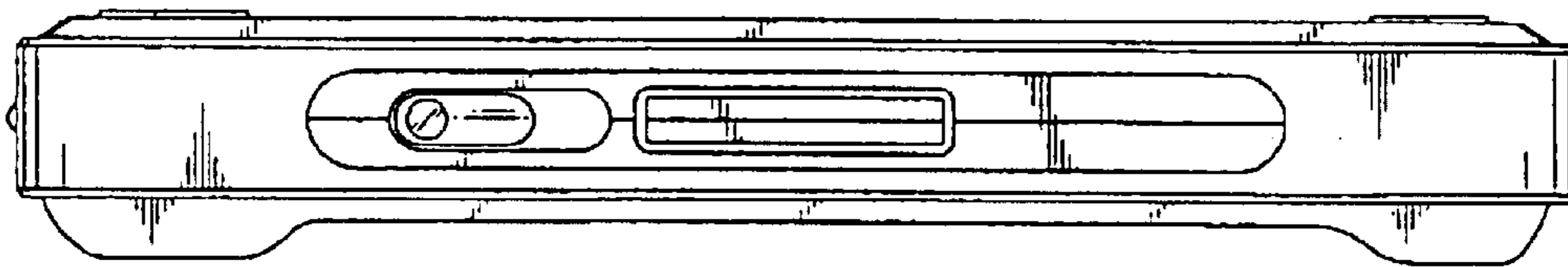


FIG. 7