

US00D506934S

(12) **United States Design Patent**  
**Liao**

(10) **Patent No.:** **US D506,934 S**  
(45) **Date of Patent:** **\*\* Jul. 5, 2005**

(54) **WATCH CASE**

D498,683 S \* 11/2004 Arabov ..... D10/39

(75) **Inventor:** **Ren Cong Liao**, Shenzhen (CN)

\* cited by examiner

(73) **Assignee:** **New Heritage Limited**, Hung Hom  
Kln. (HK)

*Primary Examiner*—Nelson C. Holtje

(74) *Attorney, Agent, or Firm*—Thomas I. Rozsa; Tony D.  
Chen

(\*\*) **Term:** **14 Years**

(57) **CLAIM**

(21) **Appl. No.:** **29/212,936**

The ornamental design for a watch case, as shown and  
described.

(22) **Filed:** **Sep. 10, 2004**

**DESCRIPTION**

(51) **LOC (8) Cl.** ..... **10-02**

(52) **U.S. Cl.** ..... **D10/30**

(58) **Field of Search** ..... D10/30-39; 368/280-282,  
368/276-277, 285, 293-294

FIG. 1 is a perspective view of a watch case, showing my  
new design;

FIG. 2 is a top plan view;

FIG. 3 is a bottom plan view;

FIG. 4 is a side elevational view when viewed from the right  
side;

FIG. 5 is a side elevational view when viewed from the left  
side;

FIG. 6 is a top plan view; and,

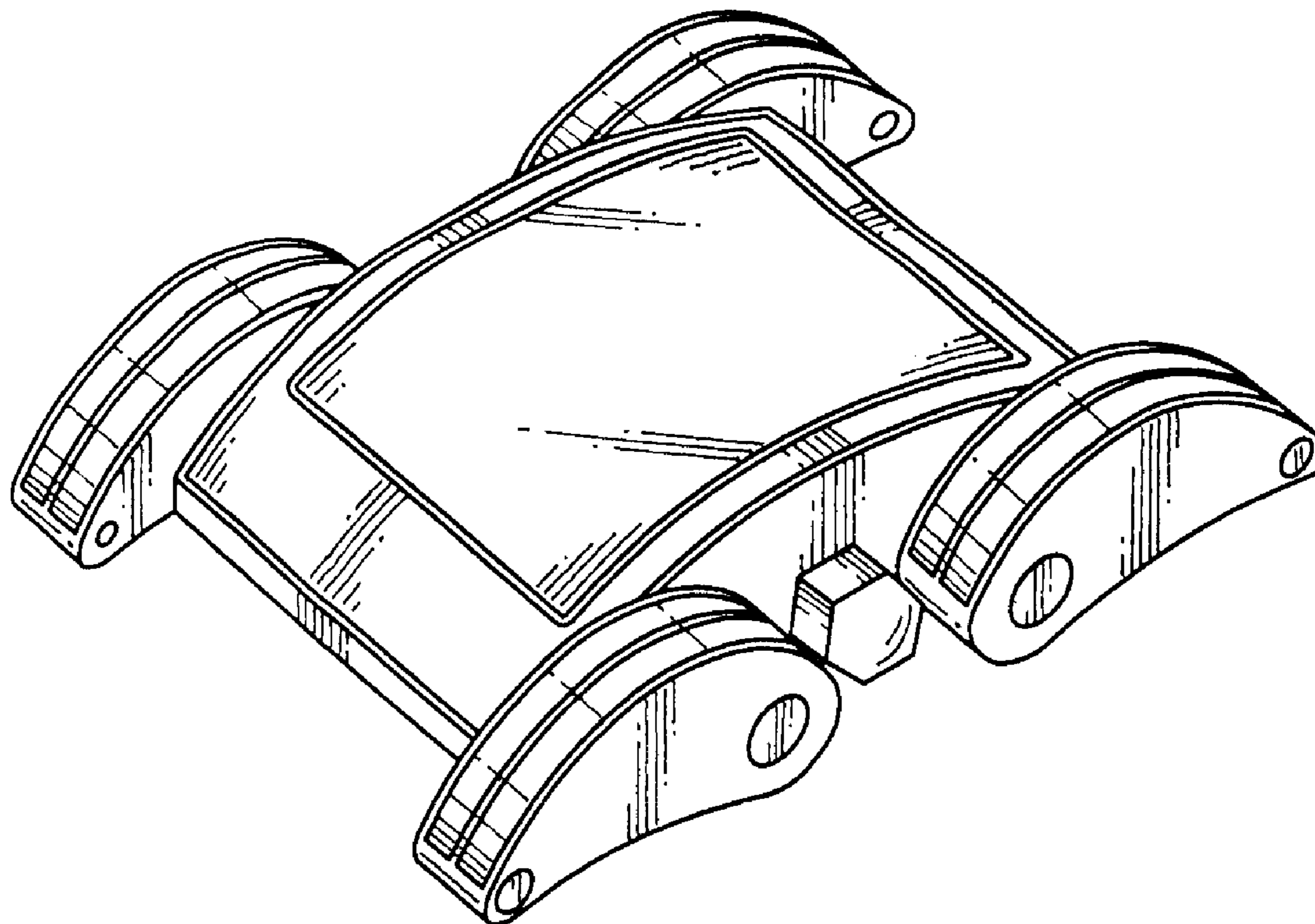
FIG. 7 is a bottom plan view, showing my new design.

(56) **References Cited**

**U.S. PATENT DOCUMENTS**

D435,457 S	*	12/2000	Wunderman	.....	D10/30
D453,474 S	*	2/2002	Guadalupe	.....	D10/30
D455,354 S	*	4/2002	Parmigiani	.....	D10/30
D474,116 S	*	5/2003	Fu et al.	.....	D10/30

**1 Claim, 2 Drawing Sheets**



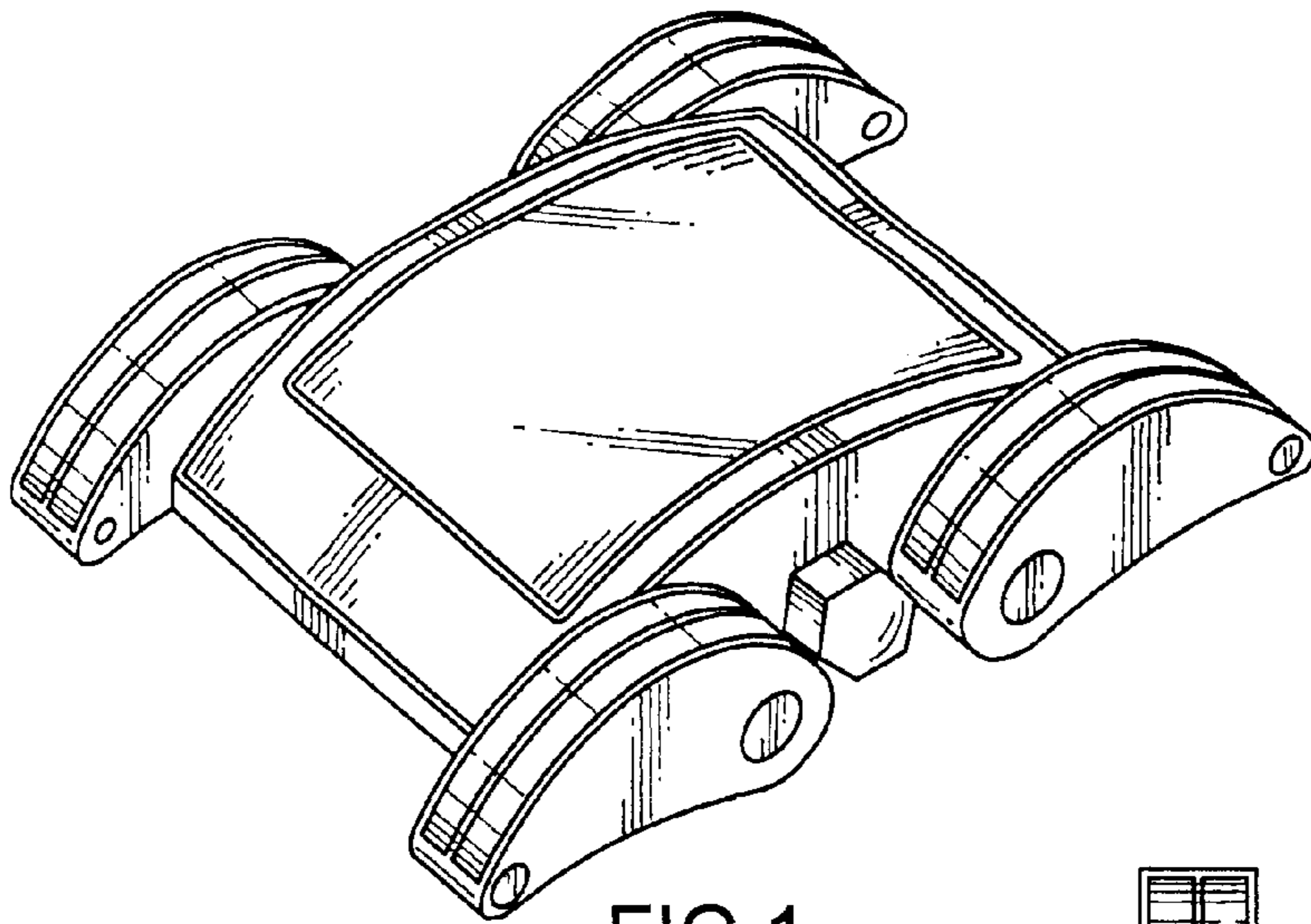


FIG. 1

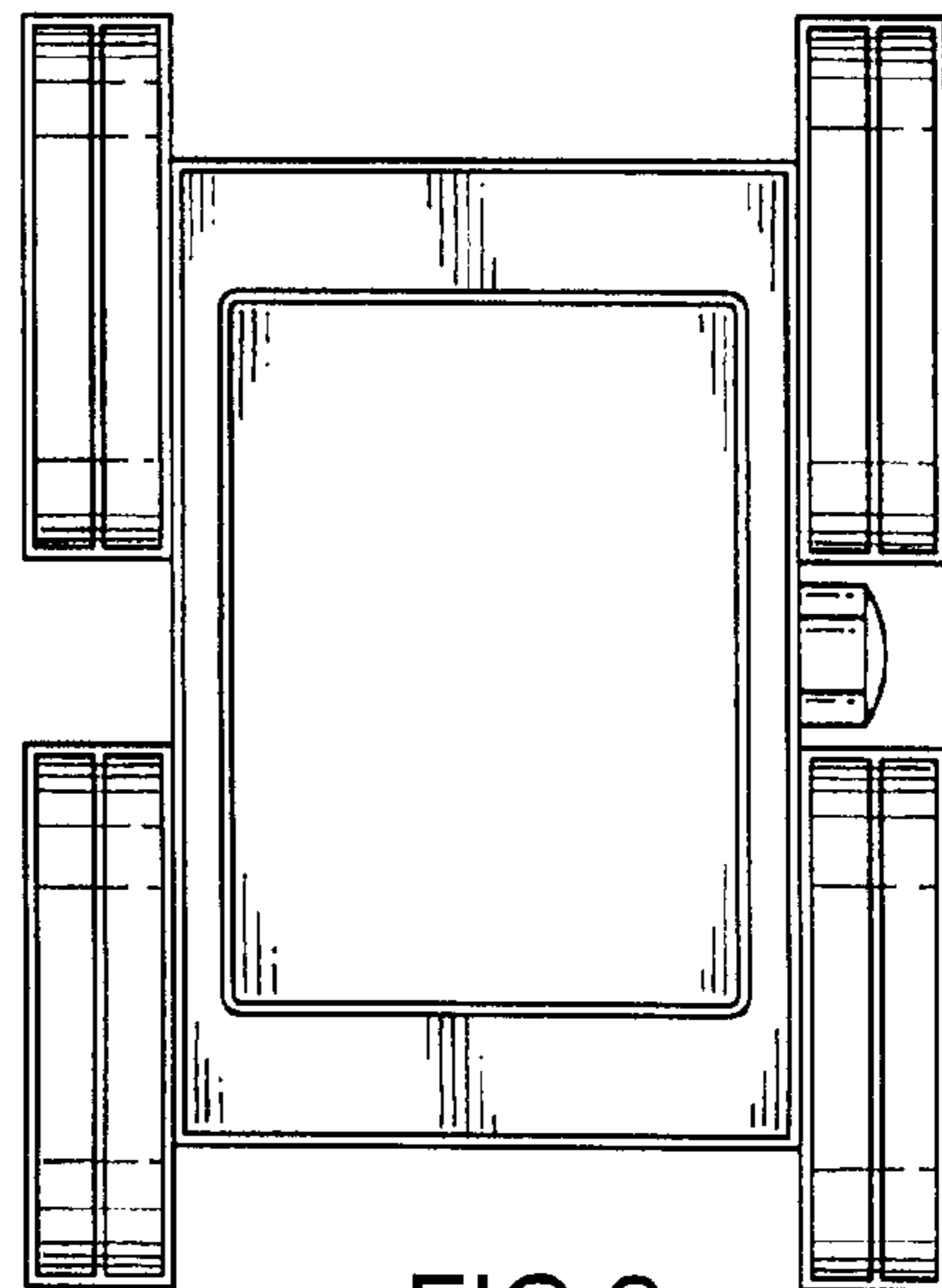


FIG. 2

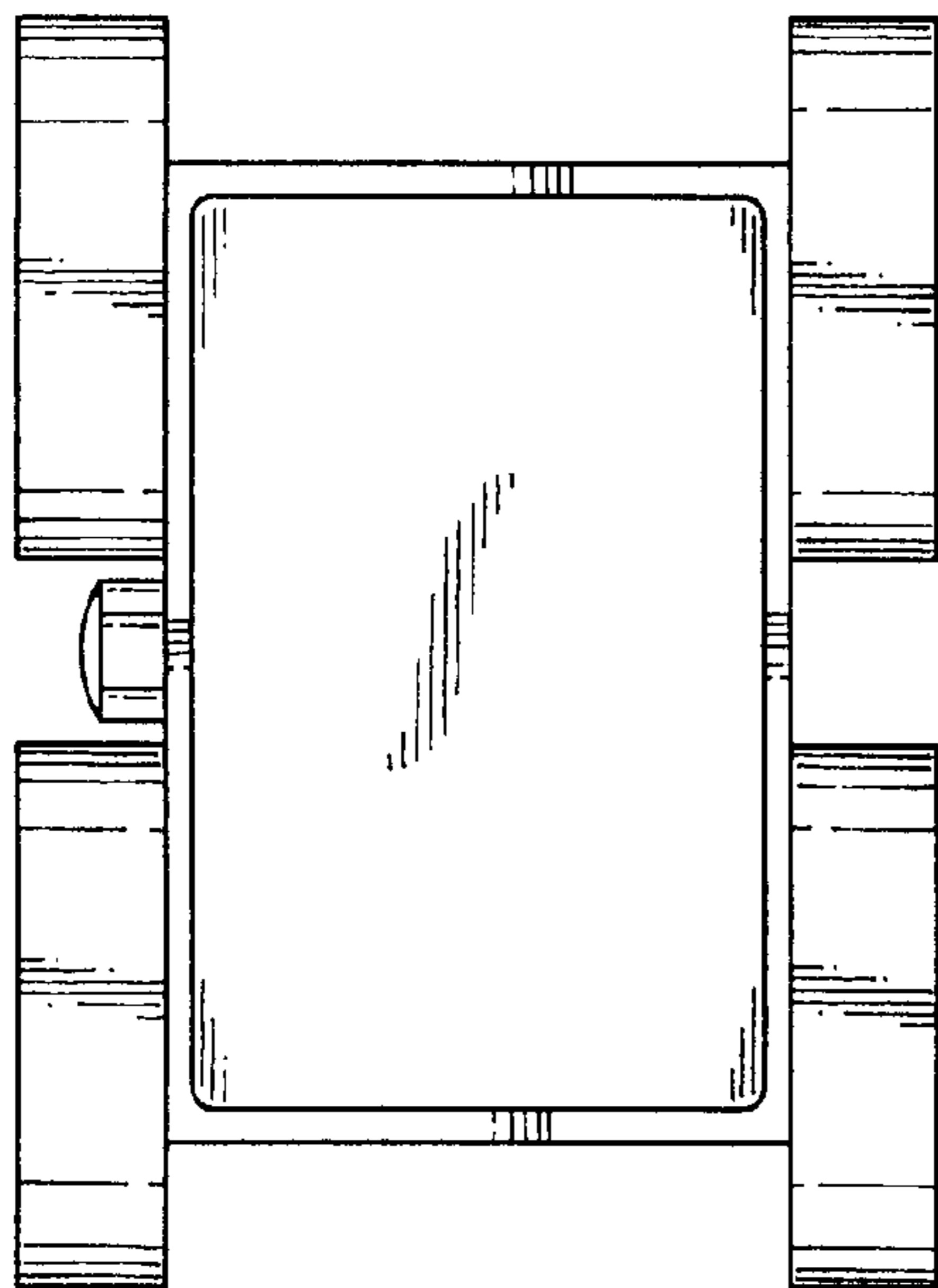


FIG. 3

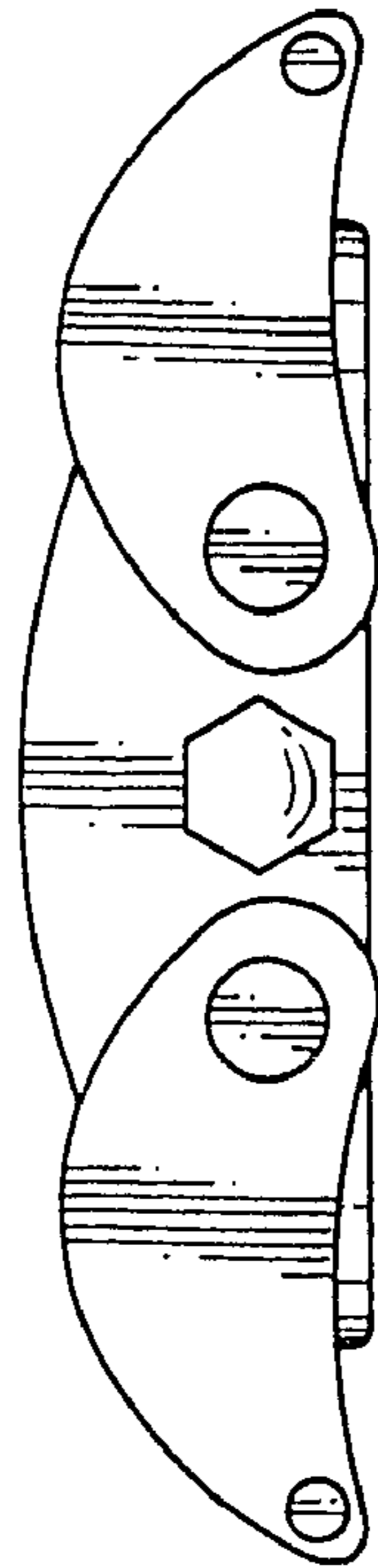


FIG. 4

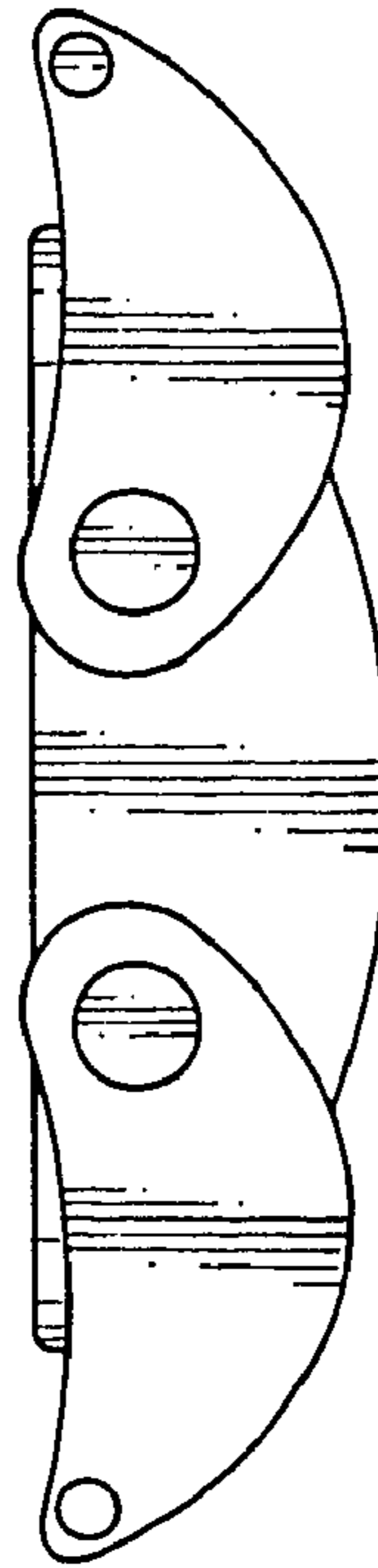


FIG. 5

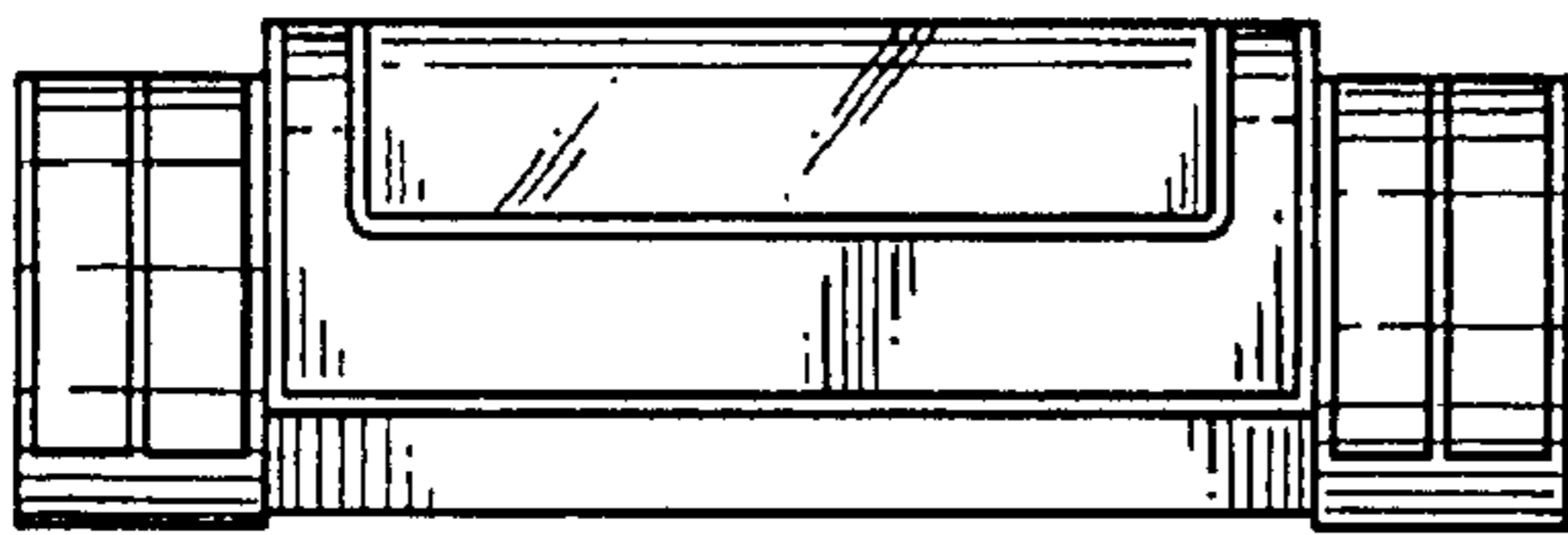


FIG. 6

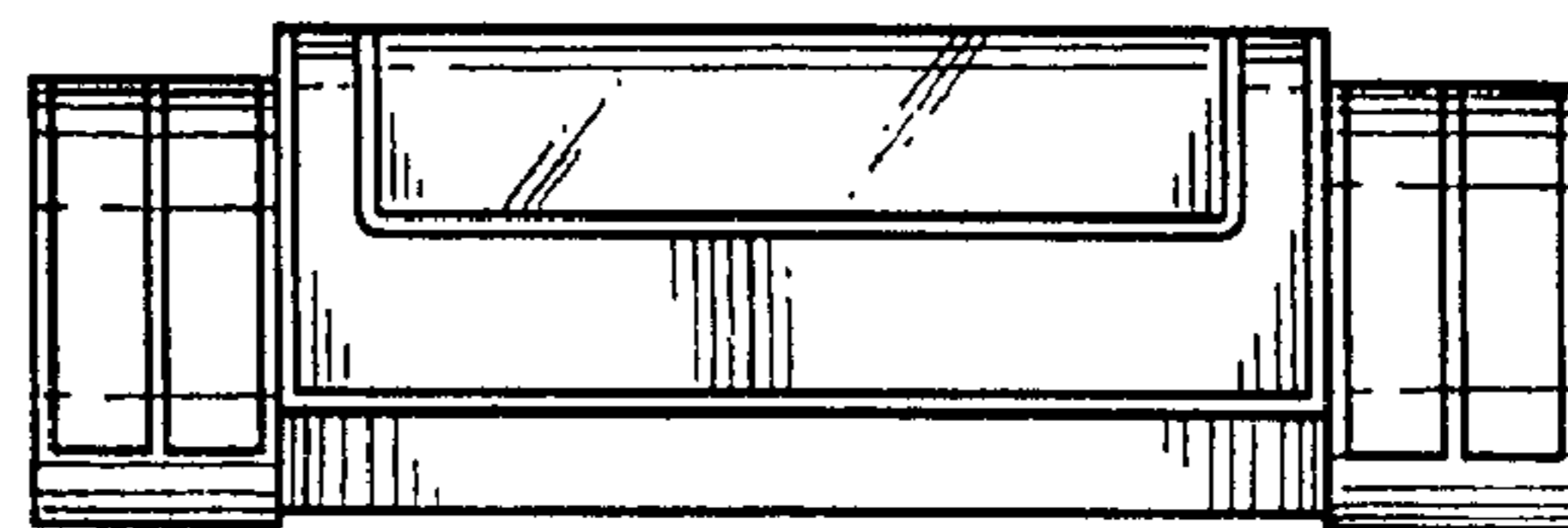


FIG. 7