

US00D506929S

(12) **United States Design Patent**
Wu

(10) **Patent No.:** **US D506,929 S**
(45) **Date of Patent:** **** Jul. 5, 2005**

(54) **CAP OF A LIP GLOSS BOTTLE**

(76) **Inventor:** **Huie-Mei Wu**, No. 4, Kai-An 4th St.,
Tainan (TW)

(**) **Term:** **14 Years**

(21) **Appl. No.:** **29/209,141**

(22) **Filed:** **Jul. 8, 2004**

(51) **LOC (8) Cl.** **09-07**

(52) **U.S. Cl.** **D9/451; D9/452**

(58) **Field of Search** D9/544, 631, 452,
D9/453, 517, 501, 454, 451, 450, 445,
441, 436, 435, 434; 215/200, 208, 228;
D3/5

(56) **References Cited**

U.S. PATENT DOCUMENTS

D70,361 S	*	6/1926	De Wagner	D9/544
D97,391 S	*	11/1935	Hankar	D9/544
D127,171 S	*	5/1941	Karoff	D9/631
D158,765 S	*	5/1950	Katz	D3/5
2,667,884 A	*	2/1954	Bruno et al.	D3/5
D175,446 S	*	8/1955	Tenber et al.	D3/5

D179,089 S	*	10/1956	Lehne	D3/5
D207,527 S	*	5/1967	Haller	D9/451
D326,223 S	*	5/1992	Dova	D9/544
D454,628 S	*	3/2002	Basaganas	D9/544

* cited by examiner

Primary Examiner—Robert M. Spear
Assistant Examiner—Susan Bennett-Hattan
(74) *Attorney, Agent, or Firm*—Dellett & Walters

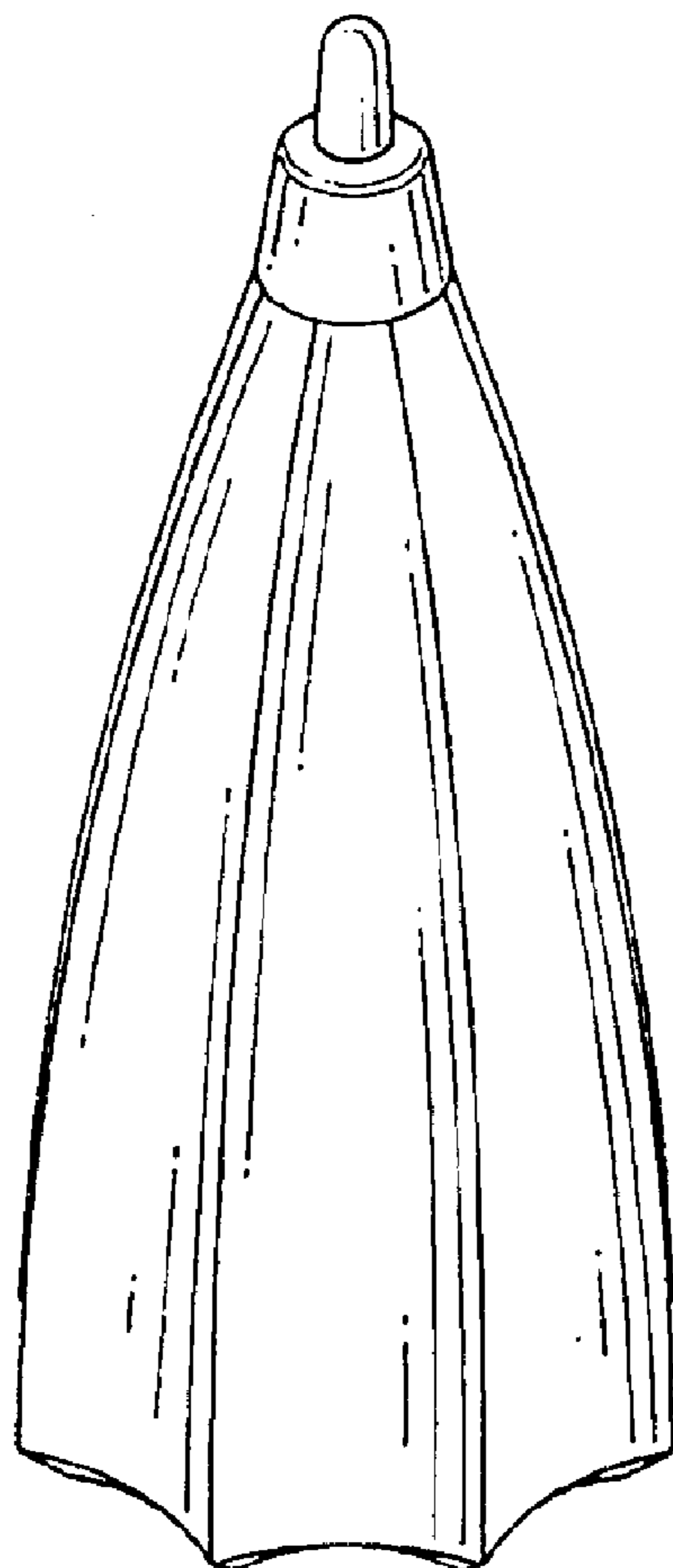
(57) **CLAIM**

The ornamental design for a cap of a lip gloss bottle, as shown and described.

DESCRIPTION

FIG. 1 is a perspective view of a cap of a lip gloss bottle, showing my new design;
FIG. 2 is a front elevational view thereof, the rear, left and the right plan views being the same images;
FIG. 3 is a top plan view thereof;
FIG. 4 is a bottom plan view thereof; and,
FIG. 5 is an elevational view of the cap on a lip gloss bottle, wherein the broken lines are shown for illustrative purposes only and form no part of the claimed design.

1 Claim, 3 Drawing Sheets



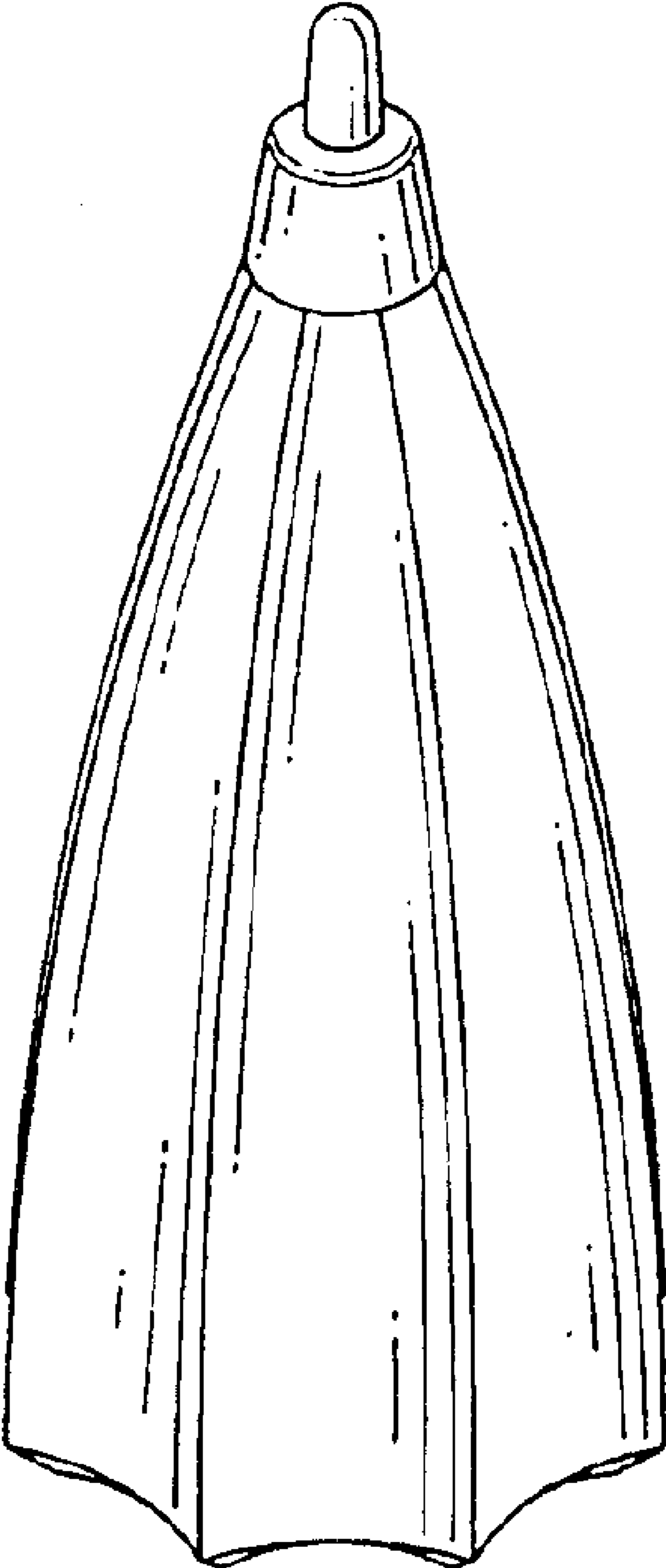


FIG. 1

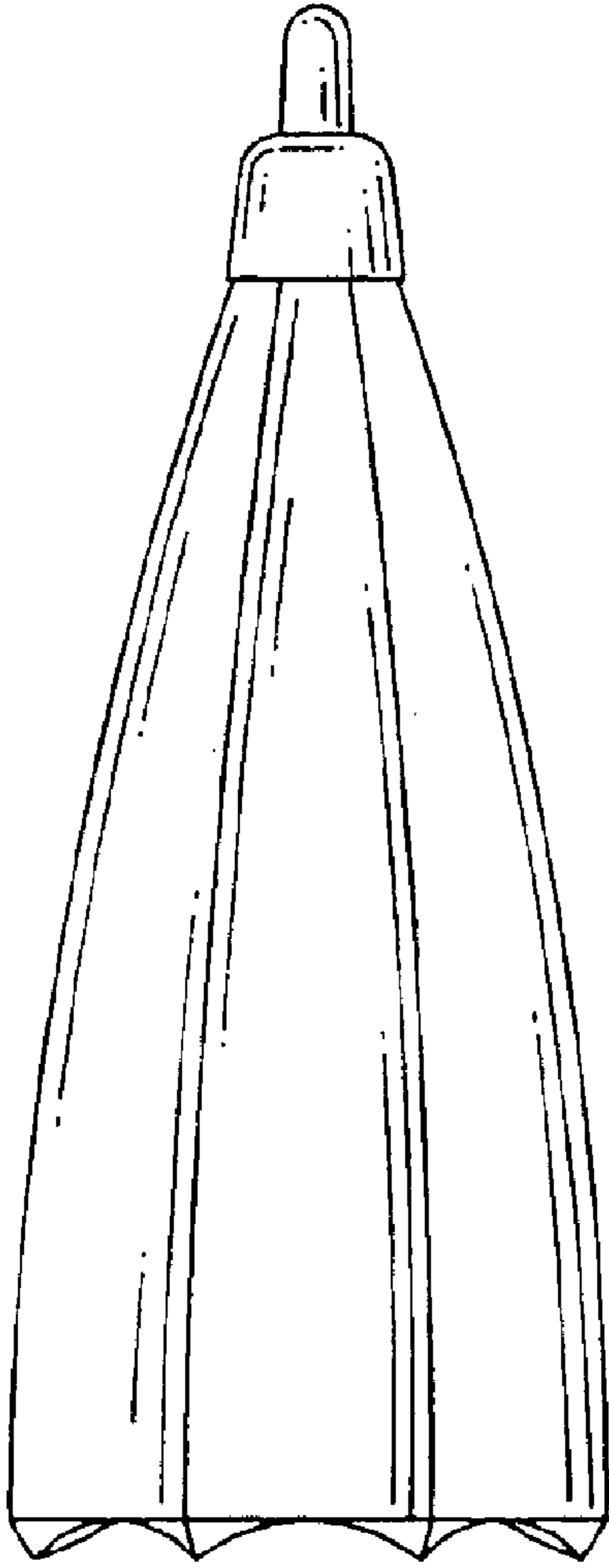


FIG. 2

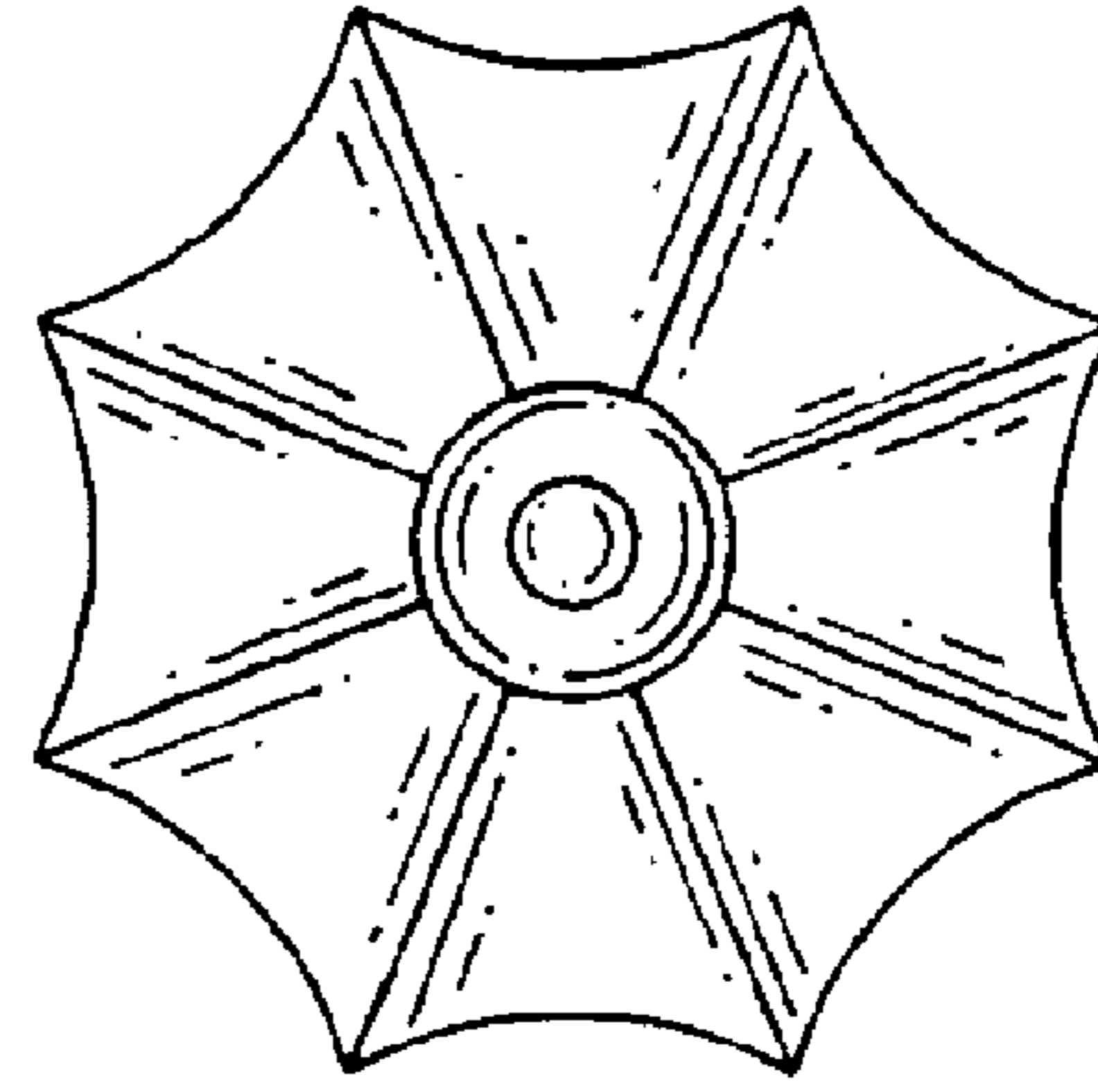


FIG. 3

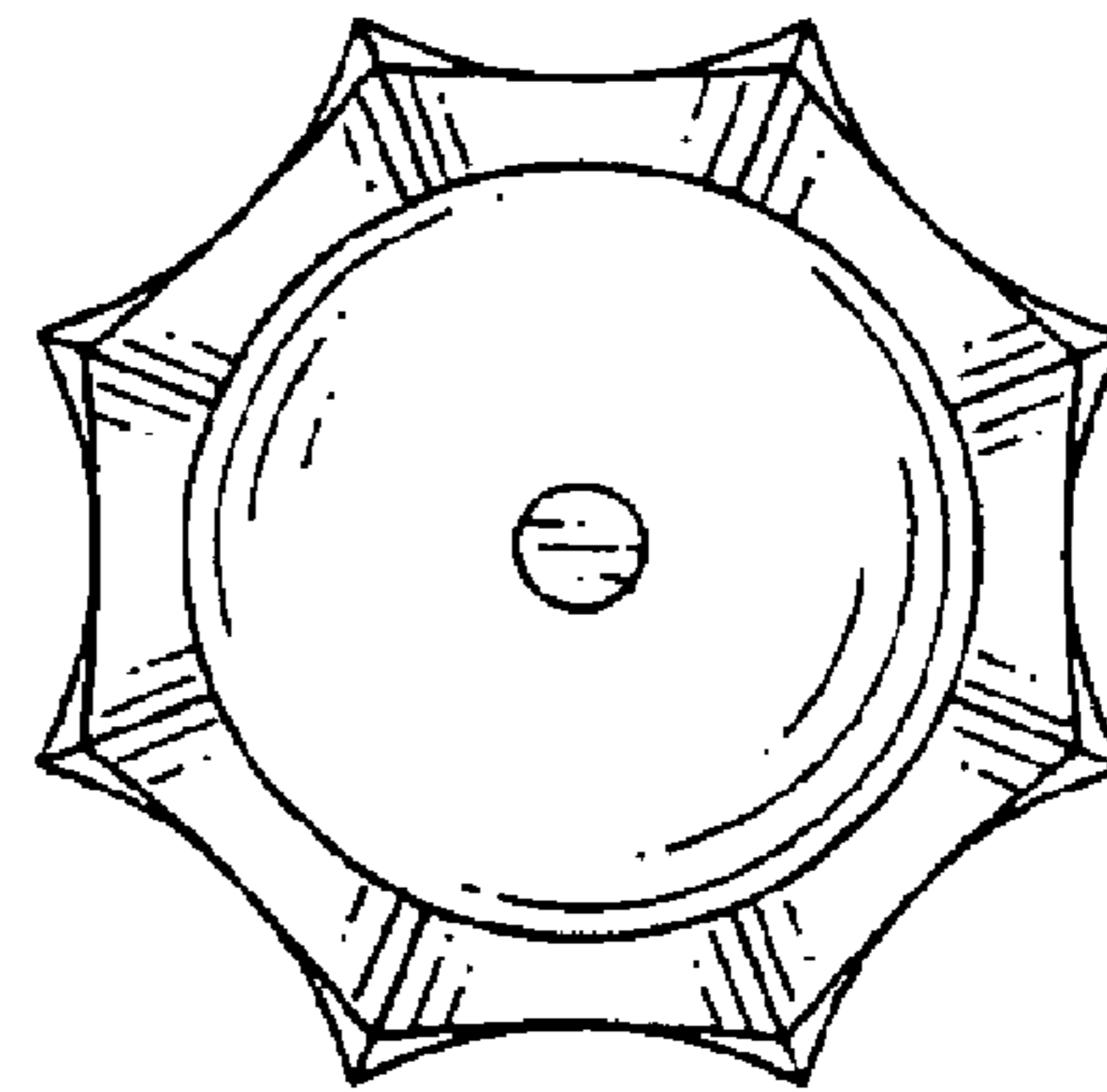


FIG. 4

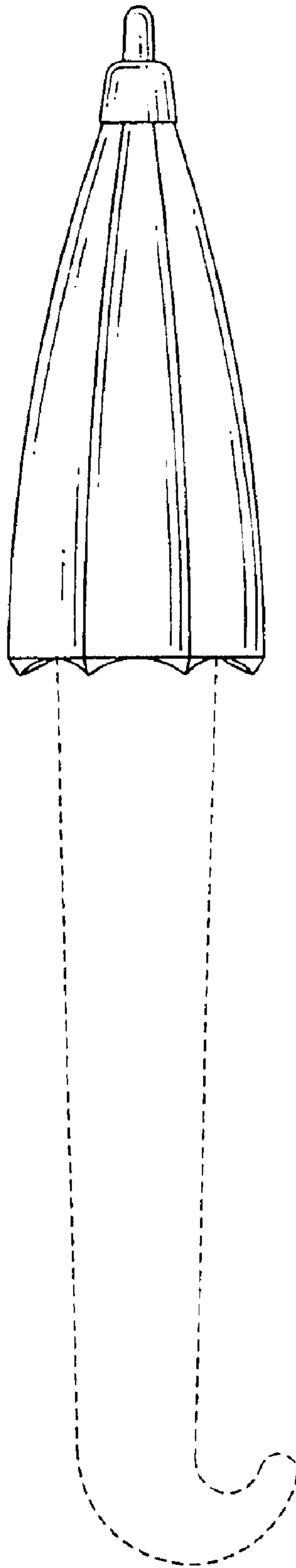


FIG.5