



US00D506928S

(12) **United States Design Patent**
Haggard

(10) **Patent No.:** **US D506,928 S**
(45) **Date of Patent:** **** Jul. 5, 2005**

(54) **MULTI-HOLE BEVERAGE LOCKING CAP FOR USE WITH A BEVERAGE LOCKING DEVICE**

(76) **Inventor:** **Mark Douglas Haggard**, 1111 Sweet Gum La., Kingwood, TX (US) 77339

(**) **Term:** **14 Years**

(21) **Appl. No.:** **29/194,534**

(22) **Filed:** **Nov. 26, 2003**

(51) **LOC (8) Cl.** **09-07**

(52) **U.S. Cl.** **D9/434**

(58) **Field of Search** D9/300, 302, 350, D9/434, 436, 440, 442, 444, 452, 447-450, 454, 520, 503-505, 529, 537, 542, 545, 550, 682, 688, 689; 222/402, 321; 215/11.1, 235; D24/197

(56) **References Cited**

U.S. PATENT DOCUMENTS

588,211 A	8/1897	Abbott	
671,086 A	4/1901	Laible	
833,446 A	10/1906	Degener	
880,723 A	3/1908	Cumming	
1,155,947 A	10/1915	Mills	
3,206,955 A	9/1965	Horovitz	
D204,822 S	* 5/1966	Barker	D9/444
3,994,467 A	* 11/1976	Pike	248/548
D259,861 S	* 7/1981	Hirtle	D9/450
4,397,596 A	* 8/1983	Strasser et al.	413/6
4,890,467 A	* 1/1990	Krause et al.	70/369
D314,431 S	* 2/1991	Bielefeldt	D24/197

5,145,015 A	*	9/1992	Thompson	175/21
5,464,109 A		11/1995	Greenwald	
5,586,670 A		12/1996	Greenwald	
D380,676 S	*	7/1997	Holland	D9/434
5,882,119 A	*	3/1999	Fadal, II	383/80
5,911,764 A		6/1999	Wei Kong	
D429,154 S	*	8/2000	Chang	D9/503
D494,065 S	*	8/2004	Hook	D9/445
6,776,907 B2	*	8/2004	Barlow	210/288

* cited by examiner

Primary Examiner—Robert M. Spear

Assistant Examiner—Susan Bennett-Hattan

(74) *Attorney, Agent, or Firm*—Locke Liddell & Sapp LLP

(57) **CLAIM**

The ornamental design for a multi-hole beverage locking cap for use with a beverage locking device, as shown and described.

DESCRIPTION

FIG. 1 is a perspective view of a beverage locking cap. FIG. 2 is a front view of the beverage locking cap. FIG. 3 is a side view of the beverage locking cap. FIG. 4 is a bottom view of the beverage locking cap. FIG. 5 is a top view of the beverage locking cap; and, FIG. 6 is a perspective view of the beverage locking cap engaged with a beverage locking device and bottle for environmental illustration. The broken line showing of environmental structure in the figures is for illustrative purposes only and forms no part of the claimed design.

1 Claim, 2 Drawing Sheets

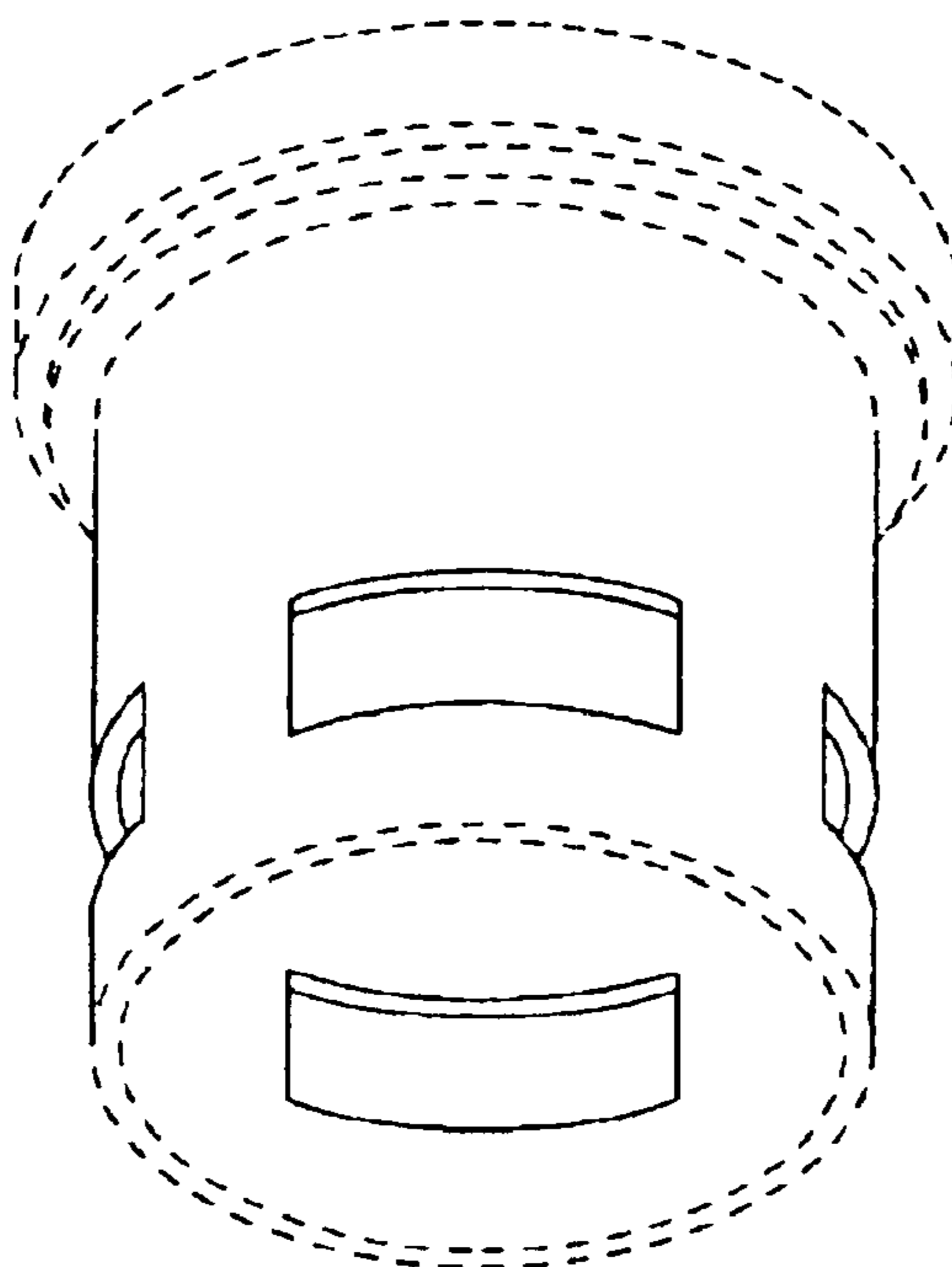


FIG. 1

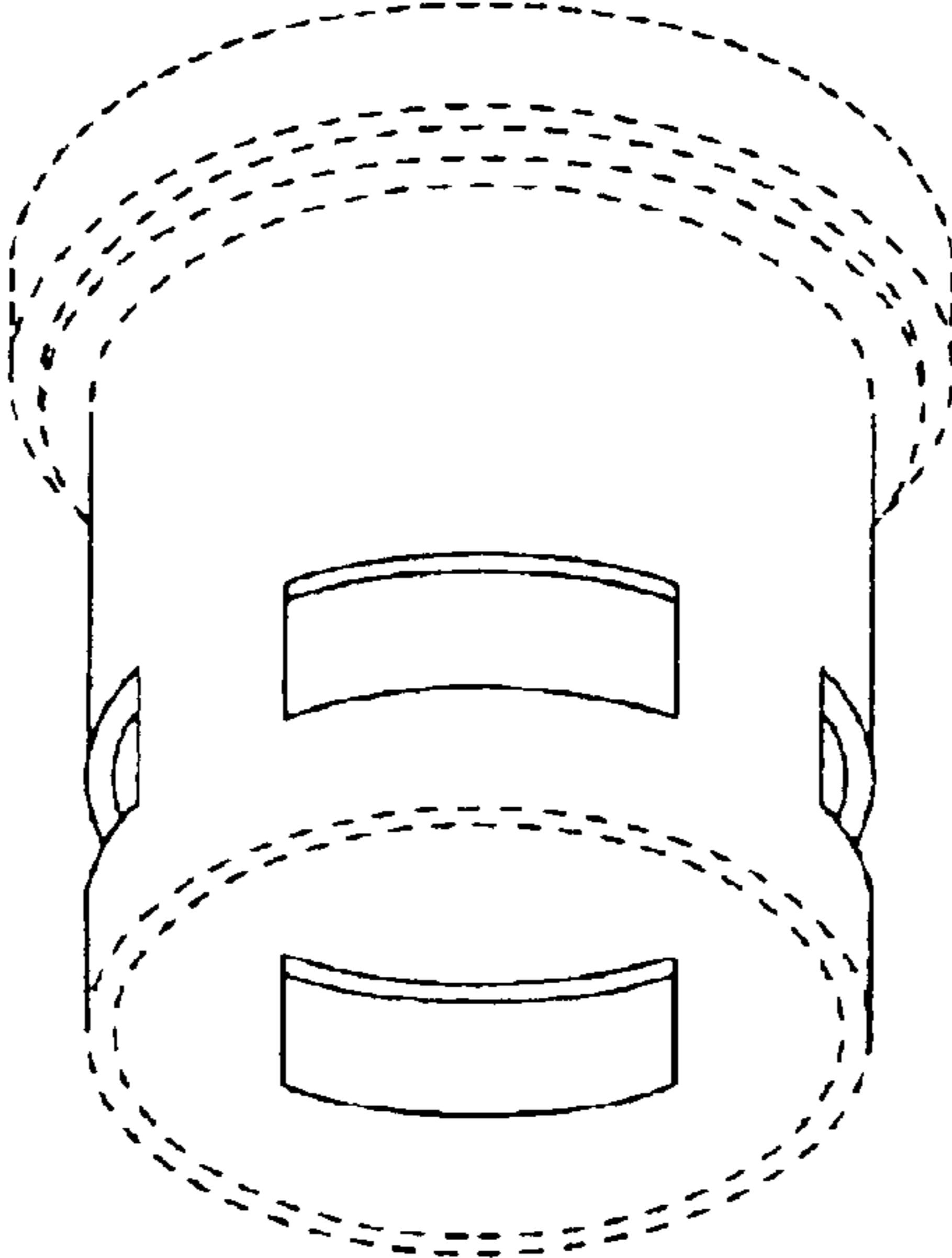


FIG. 2

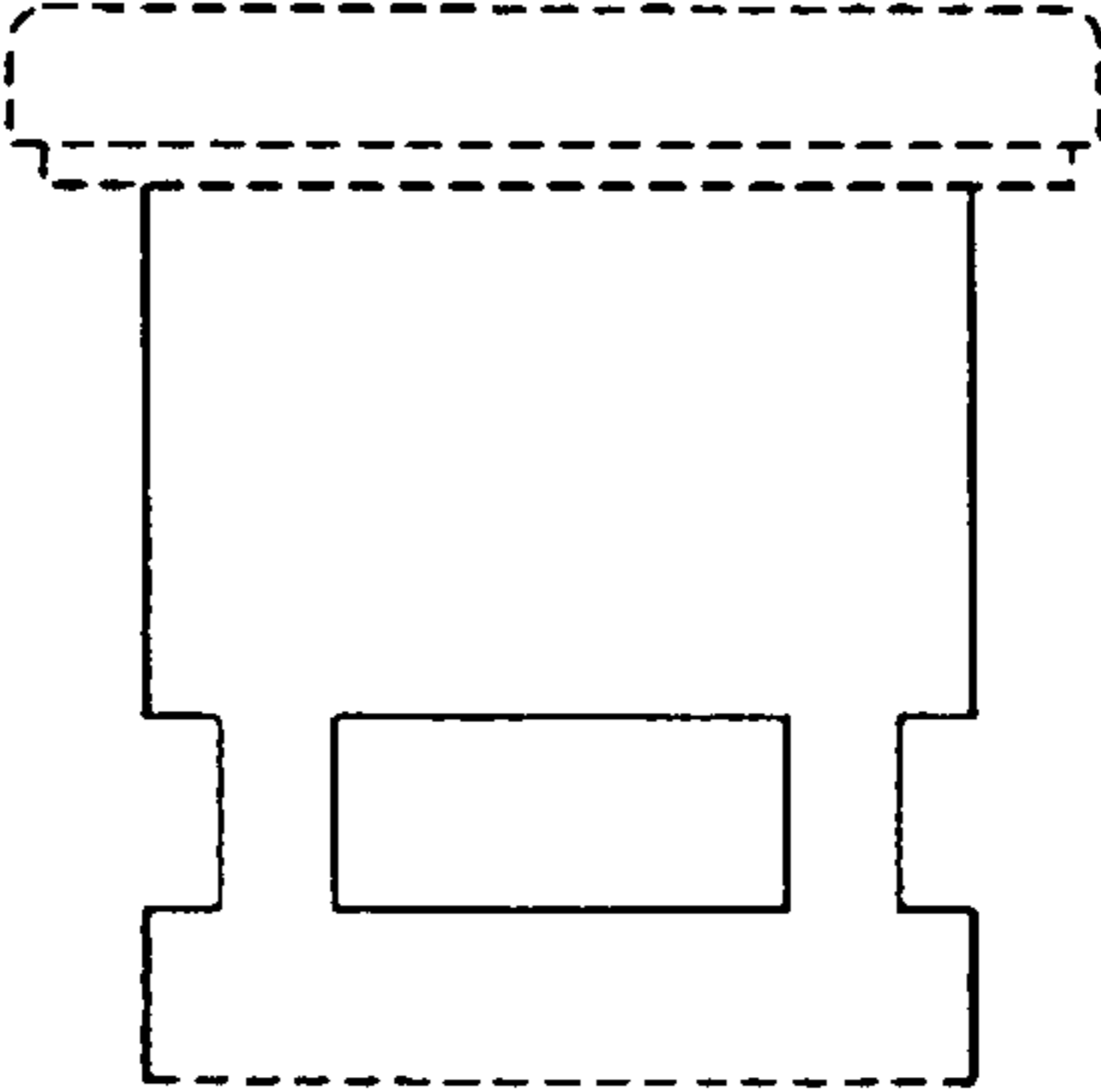


FIG. 3

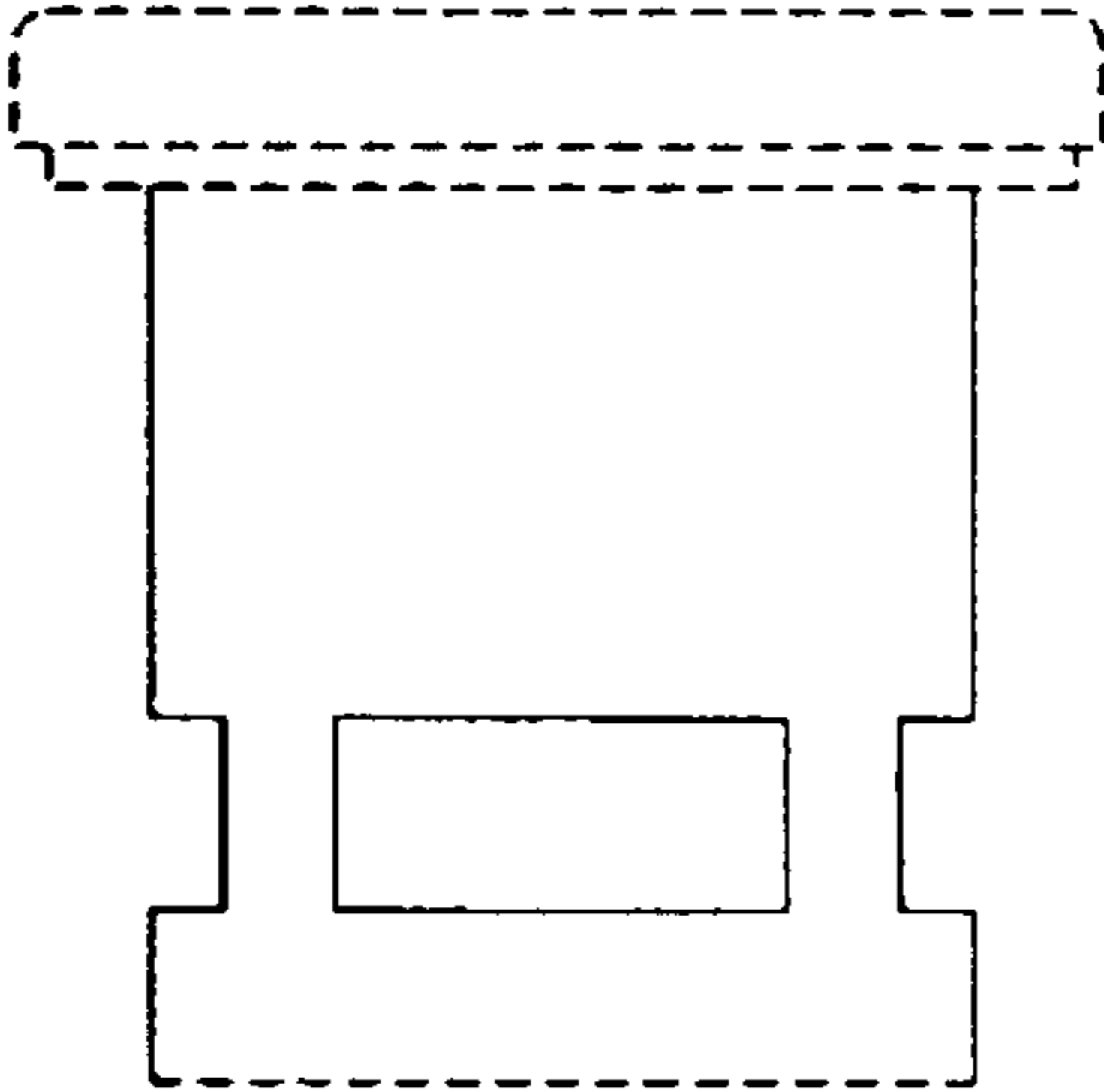


FIG. 4

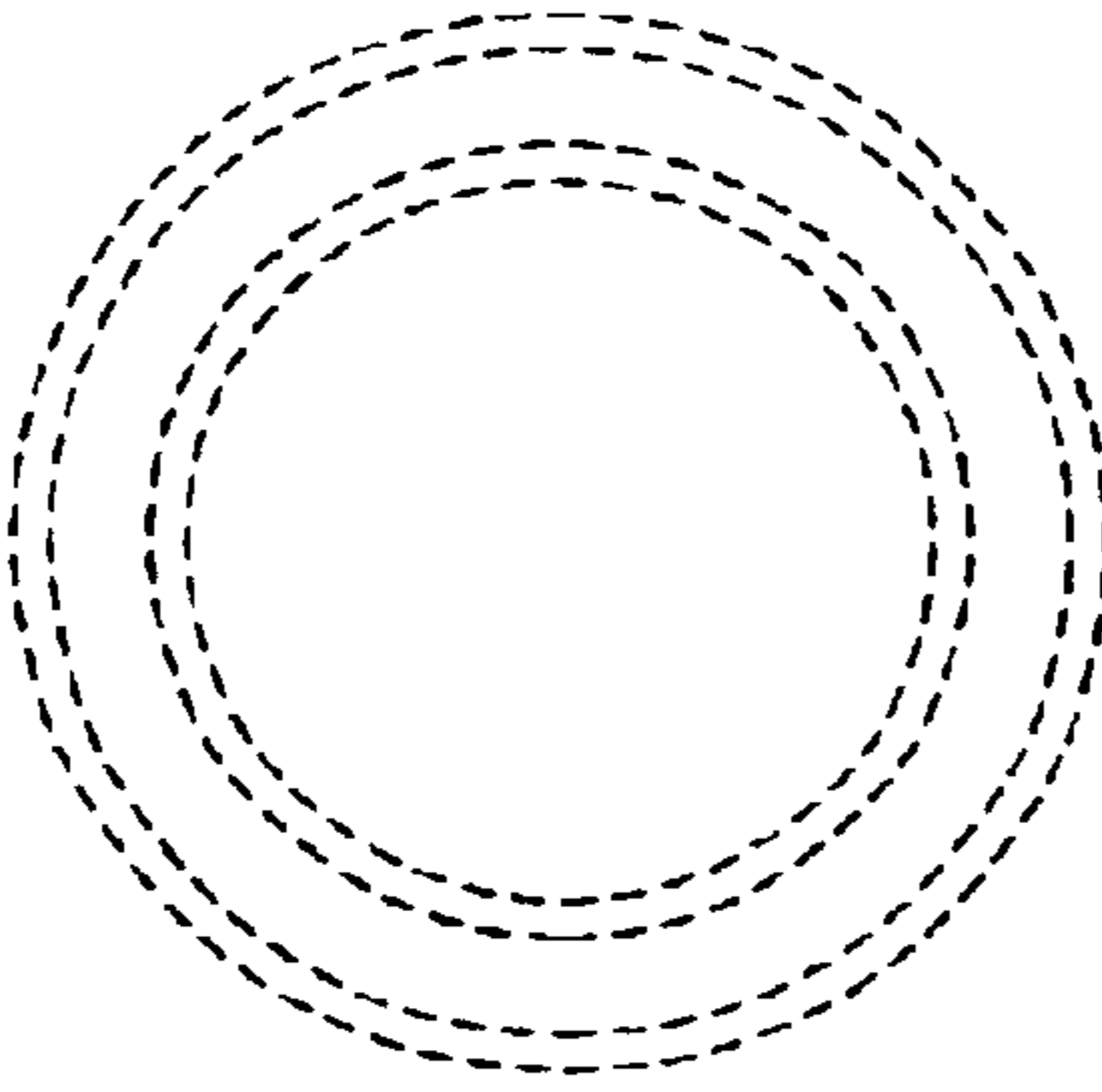
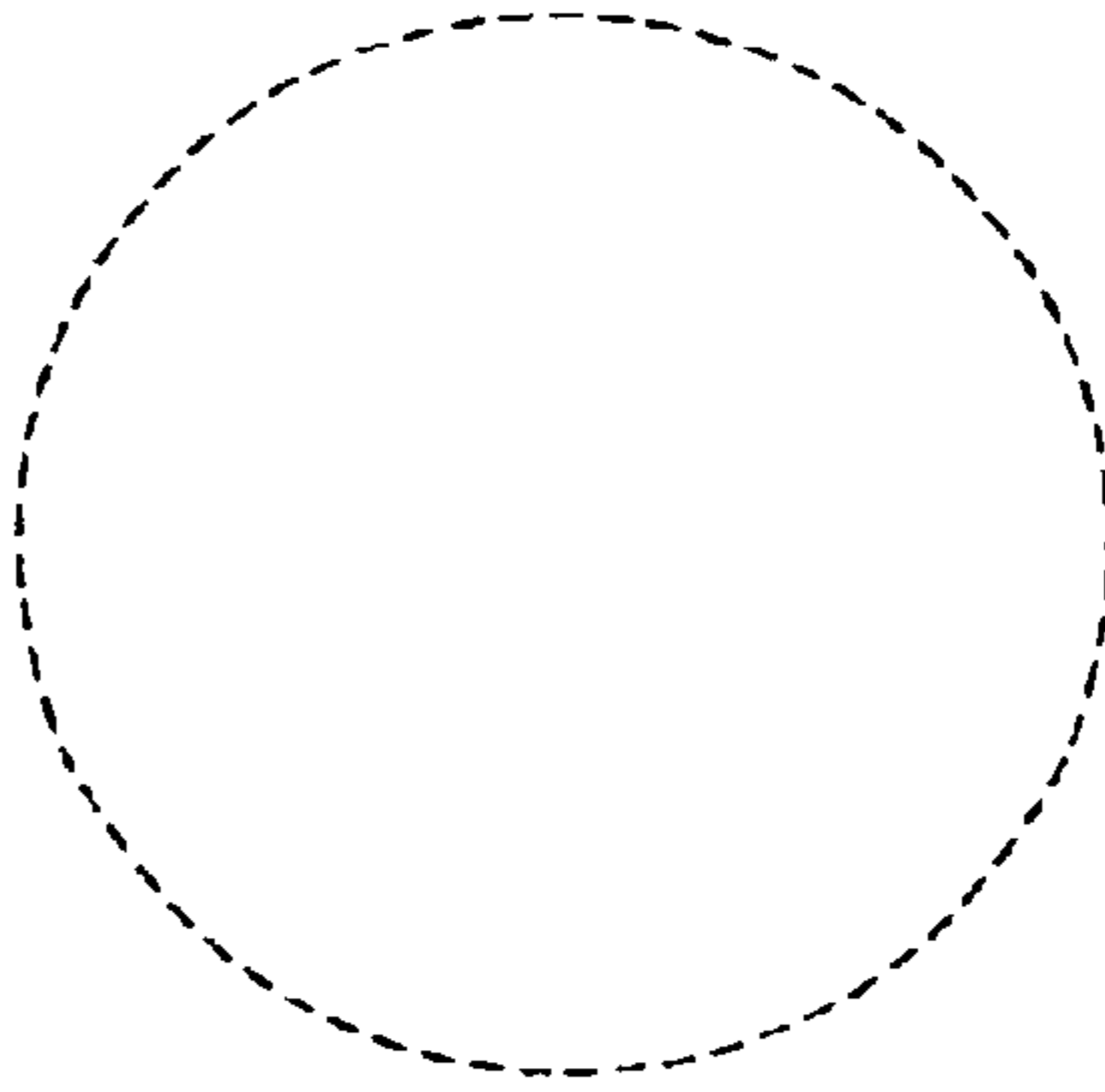


FIG. 5



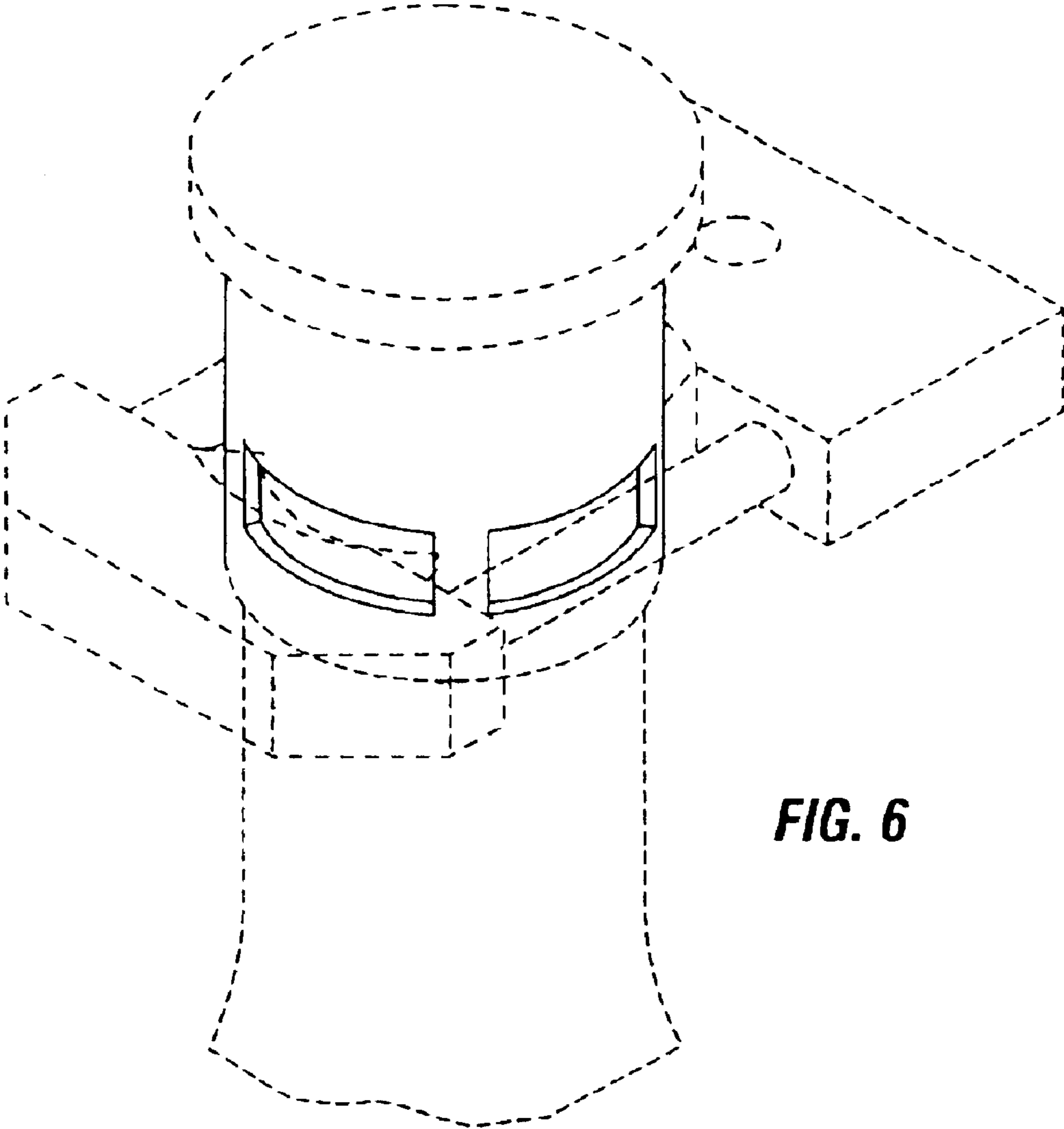


FIG. 6