

US00D506927S

(12) **United States Design Patent**  
**Sharron**

(10) **Patent No.:** **US D506,927 S**

(45) **Date of Patent:** **\*\* Jul. 5, 2005**

(54) **COMBUSTIBLE PACKAGE**

(75) **Inventor:** **Christopher T. Sharron**, Columbia City, OR (US)

(73) **Assignee:** **West Oregon Wood Products, Inc.**, Columbia City, OR (US)

(\*\*) **Term:** **14 Years**

(21) **Appl. No.:** **29/207,318**

(22) **Filed:** **Jun. 30, 2004**

(51) **LOC (8) Cl.** ..... **09-07**

(52) **U.S. Cl.** ..... **D9/416**

(58) **Field of Search** ..... D9/416, 414, 417, D9/432; 229/123.3, 200, 201, 210, 230, 116, 1, 207, 232, 221, 125.33, 125.15; 206/781, 783, 776-770, 253, 494

(56) **References Cited**

**U.S. PATENT DOCUMENTS**

|             |           |                  |           |
|-------------|-----------|------------------|-----------|
| D30,428 S   | 3/1899    | Hamburger        |           |
| 3,357,631 A | * 12/1967 | Aid et al.       | 229/232   |
| 3,737,095 A | * 6/1973  | Derauf           | 229/232   |
| 3,905,646 A | * 9/1975  | Brackmann et al. | 206/155   |
| 3,934,520 A | 1/1976    | Brennan et al.   |           |
| 4,687,104 A | * 8/1987  | Ielmini          | 229/207   |
| 4,738,365 A | * 4/1988  | Prater           | 229/123.3 |
| D311,493 S  | * 10/1990 | Boone            | D9/416    |
| D333,262 S  | 2/1993    | Zogg             |           |
| D359,904 S  | 7/1995    | Mabry            |           |
| D391,117 S  | 2/1998    | Law et al.       |           |
| D412,114 S  | * 7/1999  | Hansen           | D9/416    |
| 5,921,398 A | * 7/1999  | Carroll          | 206/736   |

|                 |           |                       |        |
|-----------------|-----------|-----------------------|--------|
| D419,440 S      | * 1/2000  | Hansen                | D9/416 |
| D433,630 S      | * 11/2000 | Lubineau-Bigot et al. | D9/416 |
| D438,463 S      | 3/2001    | Schill et al.         |        |
| D475,916 S      | 6/2003    | Taylor                |        |
| D486,731 S      | 2/2004    | Meeker et al.         |        |
| D494,859 S      | * 8/2004  | Keberlein             | D9/416 |
| 2003/0079400 A1 | 5/2003    | Weissman et al.       |        |
| 2004/0035046 A1 | 2/2004    | Weissman et al.       |        |

\* cited by examiner

*Primary Examiner*—Prabhakar Deshmukh

(74) *Attorney, Agent, or Firm*—Law Office of Karen Dana Oster LLC

(57) **CLAIM**

I claim the ornamental design for a combustible package, as shown and described.

**DESCRIPTION**

FIG. 1 is an isometric view of a combustible package including my new design.

FIG. 2 is a top plan view of the combustible package.

FIG. 3 is a front view of the combustible package.

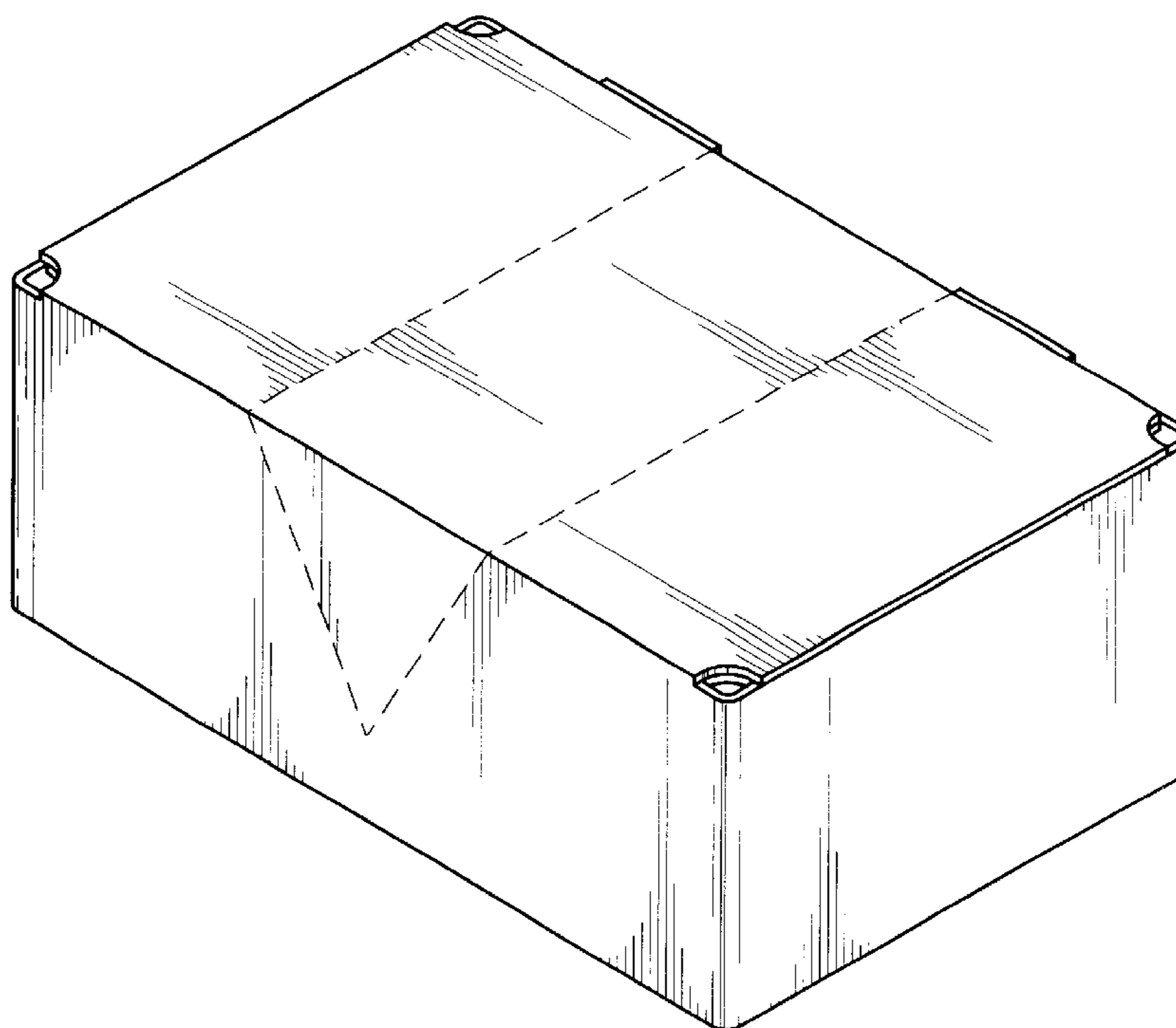
FIG. 4 is a back plan view of the combustible package.

FIG. 5 is a first side view of the combustible package, the second side view being a mirror image of the first side view; and,

FIG. 6 is an isometric view of a combustible package including my new design.

The bottom surface of the combustible package and the support flaps shown in phantom in FIGS. 1-3 form no part of the claimed design. The broken-lines in FIG. 6 represent tear lines.

**1 Claim, 3 Drawing Sheets**



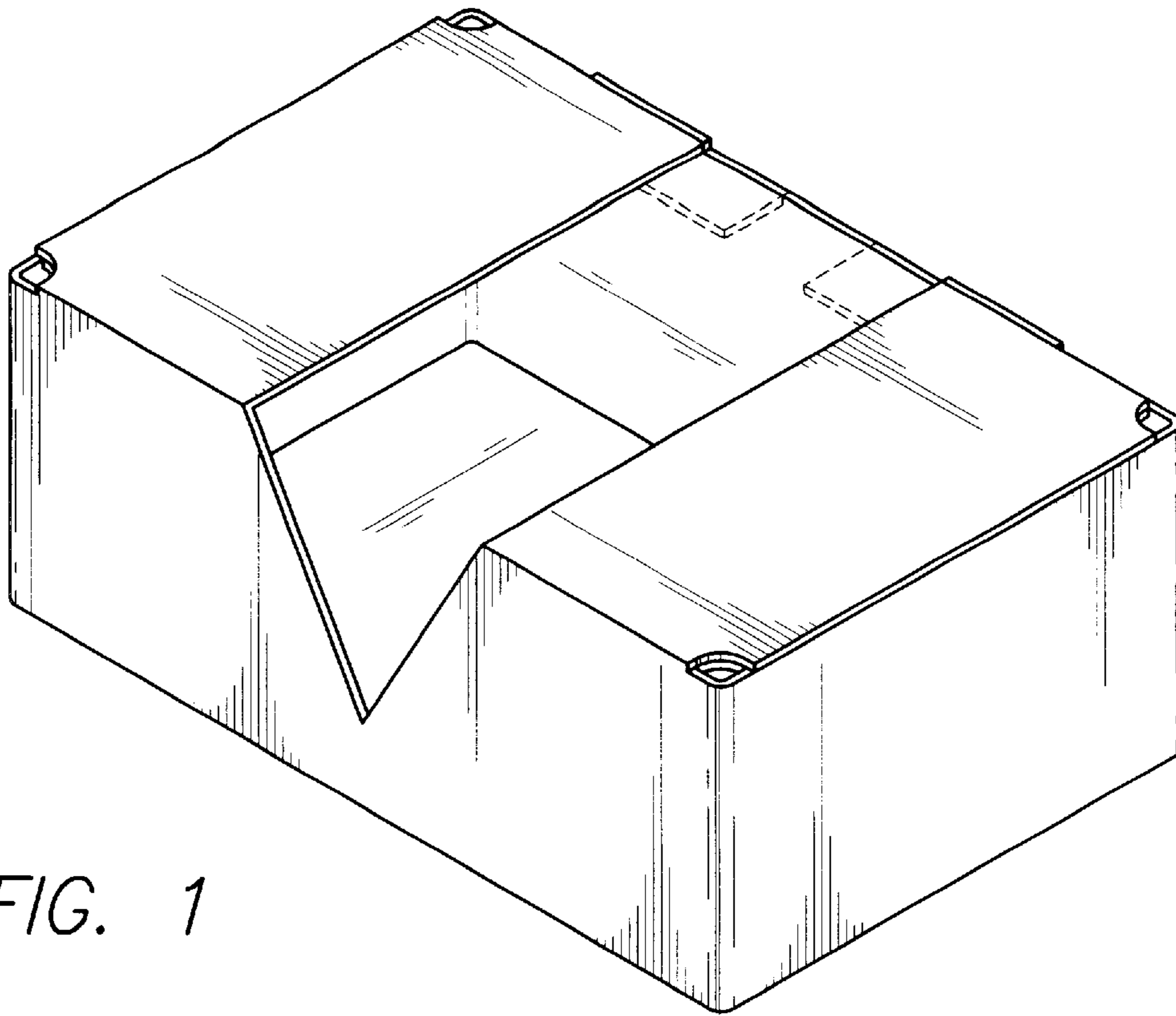


FIG. 1

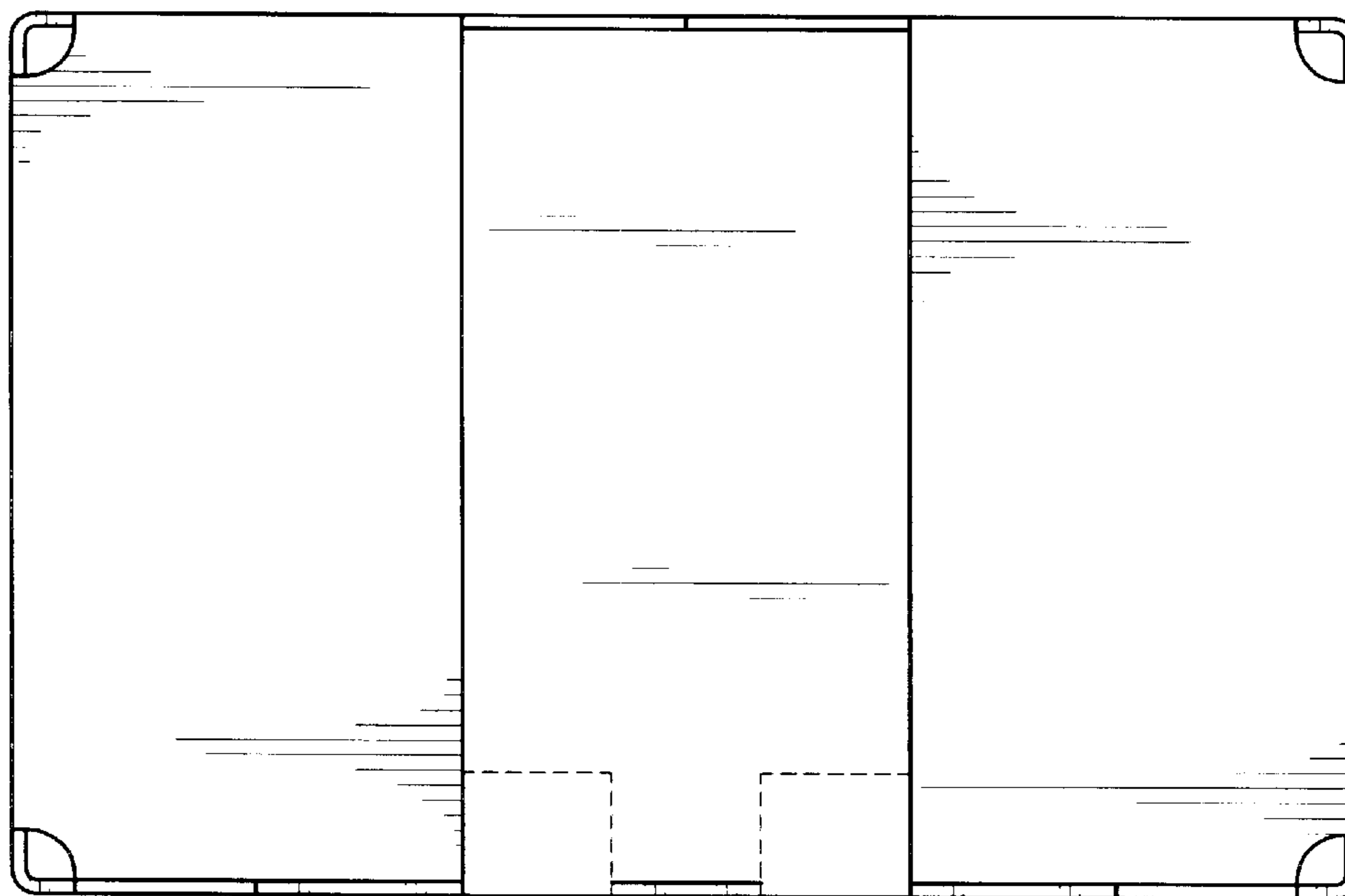


FIG. 2

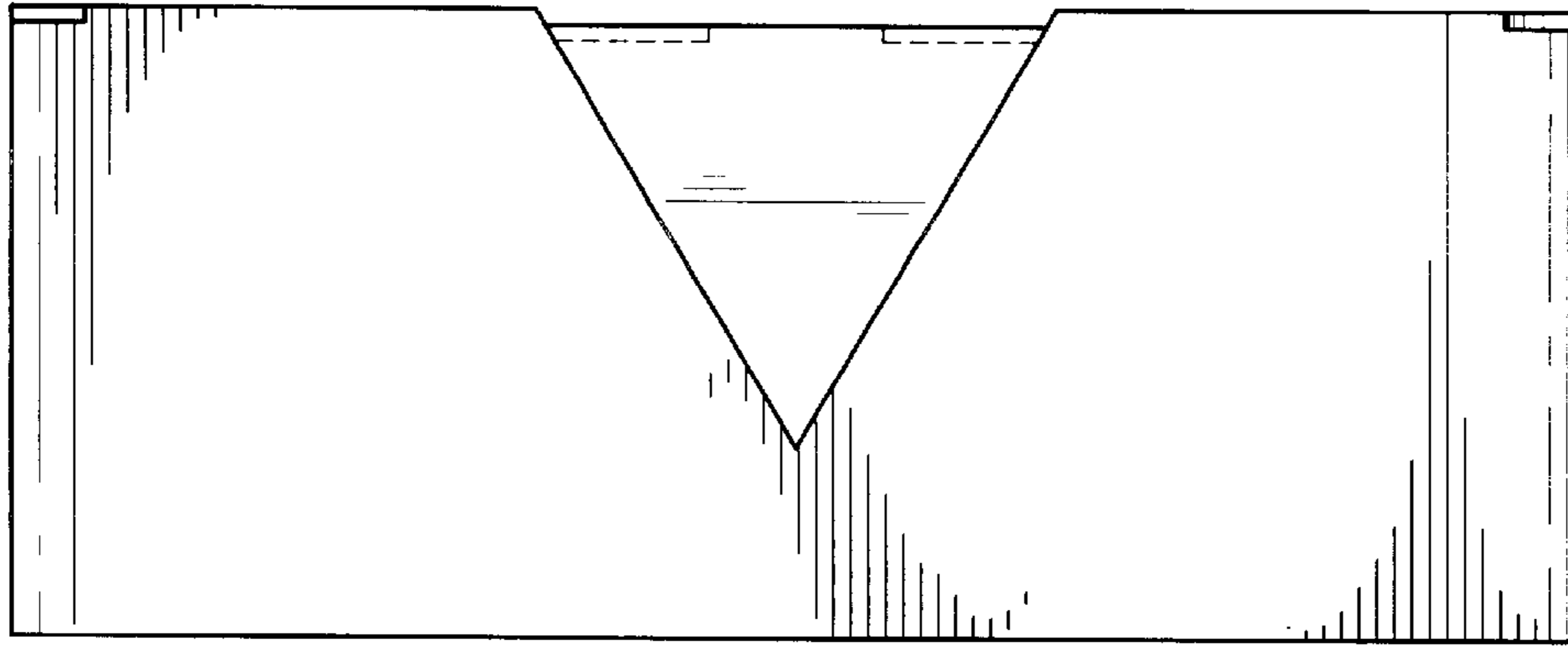


FIG. 3

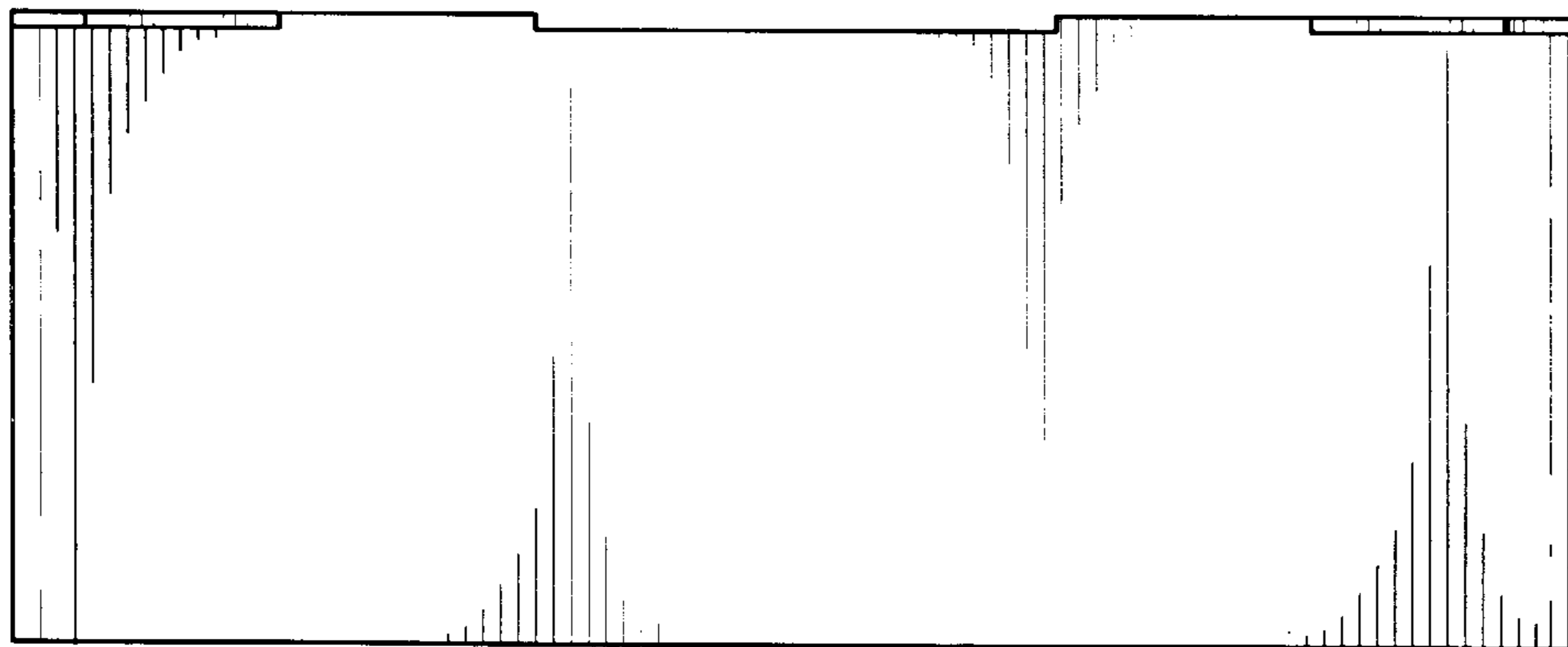


FIG. 4

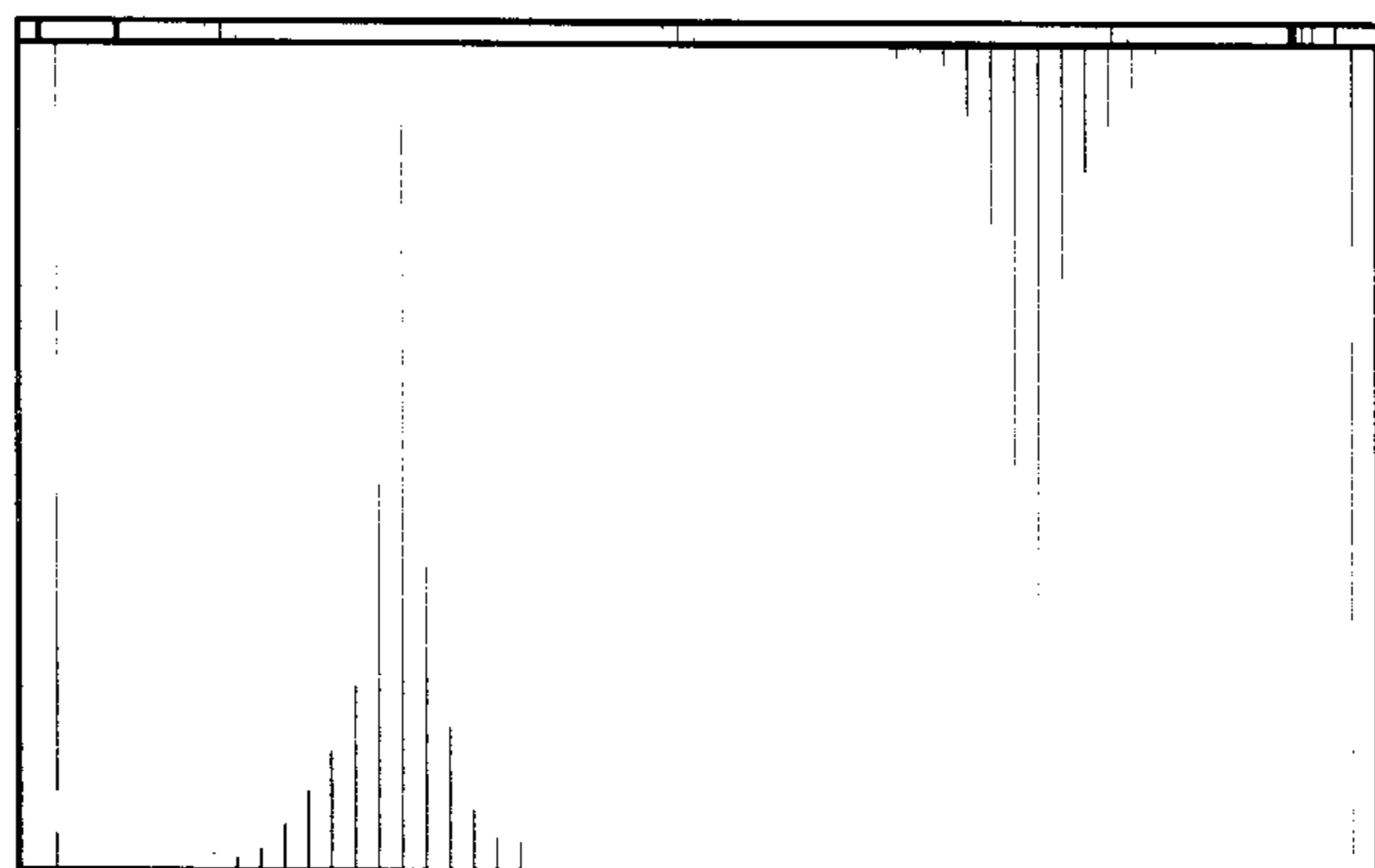


FIG. 5

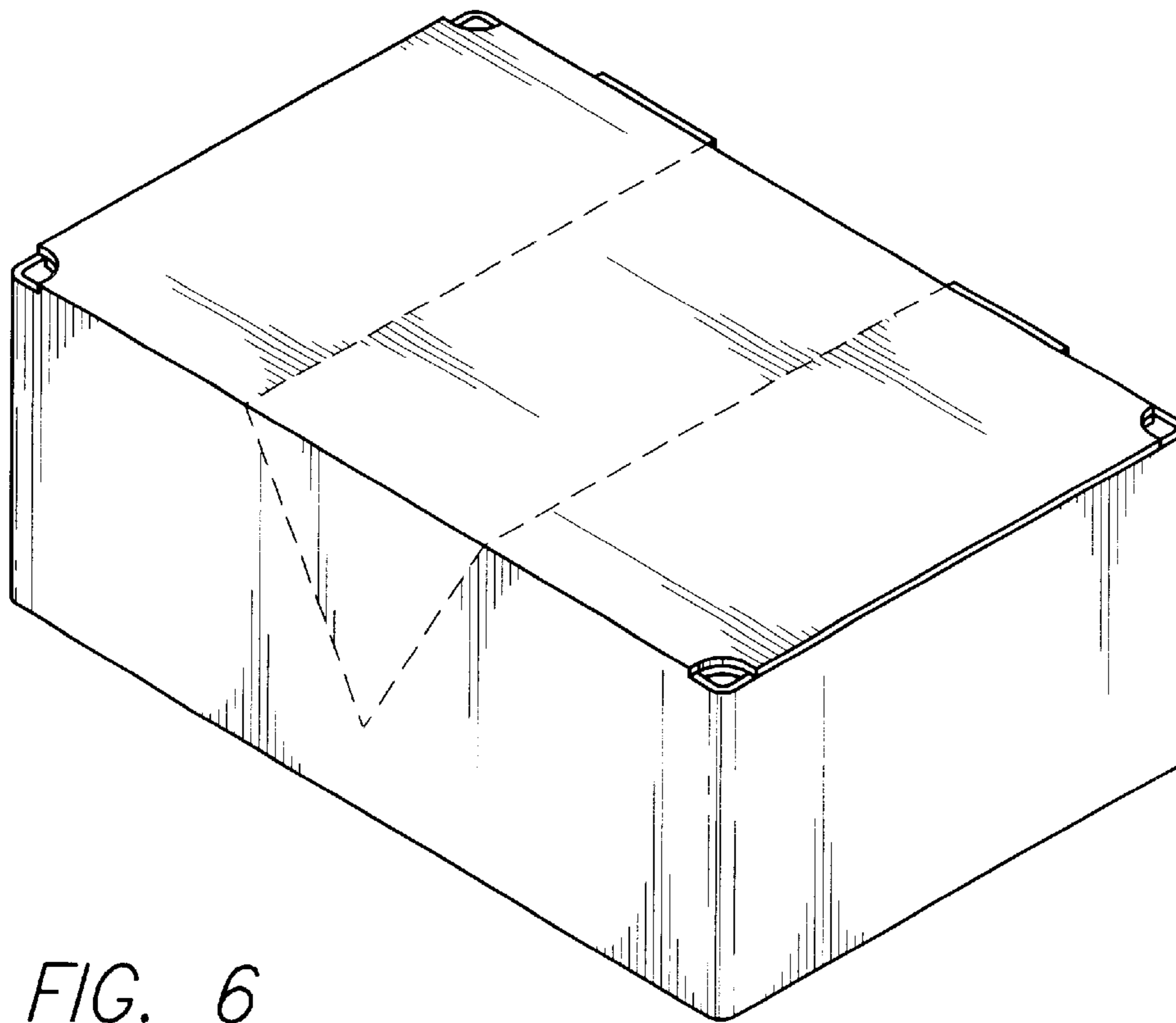


FIG. 6