

US00D506926S

(12) **United States Design Patent**  
**Halliday et al.**

(10) **Patent No.:** **US D506,926 S**  
(45) **Date of Patent:** **\*\* Jul. 5, 2005**

(54) **COFFEE POD**  
(75) Inventors: **Andrew Halliday**, Hook Norton (GB);  
**Adam Lloyd**, Oxford (GB)  
(73) Assignee: **Kraft Foods R&D, Inc.**, Munich (DE)  
(\*\*) Term: **14 Years**

6,009,792 A 1/2000 Kraan  
6,025,000 A 2/2000 Fond et al.  
D445,674 S \* 7/2001 Pritchett ..... D9/416  
D450,240 S \* 11/2001 Haag et al. .... D9/416  
D462,900 S \* 9/2002 Yamada et al. .... D9/416  
6,645,537 B2 11/2003 Sweeney et al.  
2002/0015768 A1 2/2002 Masek et al.  
2002/0048621 A1 4/2002 Boyd et al.  
2003/0005826 A1 1/2003 Sargent et al.  
2003/0222089 A1 12/2003 Hale

(21) Appl. No.: **29/187,135**  
(22) Filed: **Jul. 28, 2003**

(30) **Foreign Application Priority Data**

Feb. 4, 2003 (GB) ..... 3010621

(51) **LOC (8) Cl.** ..... **09-07**  
(52) **U.S. Cl.** ..... **D9/416; D9/428**  
(58) **Field of Search** ..... D9/416, 417, 428,  
D9/429, 425; 99/295, 306, 323.5; 426/77,  
112, 115, 432, 433, 435; 220/912, 4.25,  
592, 12, 592.16; 229/123.1, 201, 87.08,  
924-926, 125.33

**FOREIGN PATENT DOCUMENTS**

EP 0 057 671 A2 8/1982  
EP 0 904 718 A1 3/1999  
EP 1 042 978 A1 10/2000  
EP 1 101 430 A1 5/2001  
EP 1 208 782 A1 5/2002  
GB 2 306 432 A 5/1997  
JP 2000-093309 A 4/2000  
WO WO-01/15582 A1 3/2001  
WO WO-02/28241 A1 4/2002  
WO WO-02/074143 A2 9/2002  
WO WO-03/059778 A2 7/2003

\* cited by examiner

*Primary Examiner*—Prabhakar Deshmukh  
(74) *Attorney, Agent, or Firm*—Fitch, Even, Tabin &  
Flannery

(56) **References Cited**

**U.S. PATENT DOCUMENTS**

1,576,735 A 3/1926 Fessenden  
D190,530 S \* 6/1961 Bender et al. .... D9/416  
3,083,101 A 3/1963 Noury  
3,811,373 A \* 5/1974 Telco ..... 99/295  
3,823,656 A \* 7/1974 Vander Veken ..... 99/295  
D235,246 S \* 6/1975 Evans et al. .... D9/416  
3,937,134 A \* 2/1976 Molenaar et al. .... 99/295  
4,069,751 A \* 1/1978 Gronwick et al. .... 99/306  
4,446,158 A \* 5/1984 English et al. .... 426/79  
4,471,689 A 9/1984 Piana  
4,921,712 A 5/1990 Malmquist  
5,082,676 A 1/1992 Love et al.  
5,134,924 A 8/1992 Vicker  
5,242,702 A 9/1993 Fond  
5,531,152 A 7/1996 Gardosi  
D394,005 S \* 5/1998 Marijnissen ..... D9/416  
5,776,527 A 7/1998 Blanc  
5,895,672 A 4/1999 Cooper  
5,948,455 A 9/1999 Schaeffer et al.  
5,992,298 A 11/1999 Illy et al.

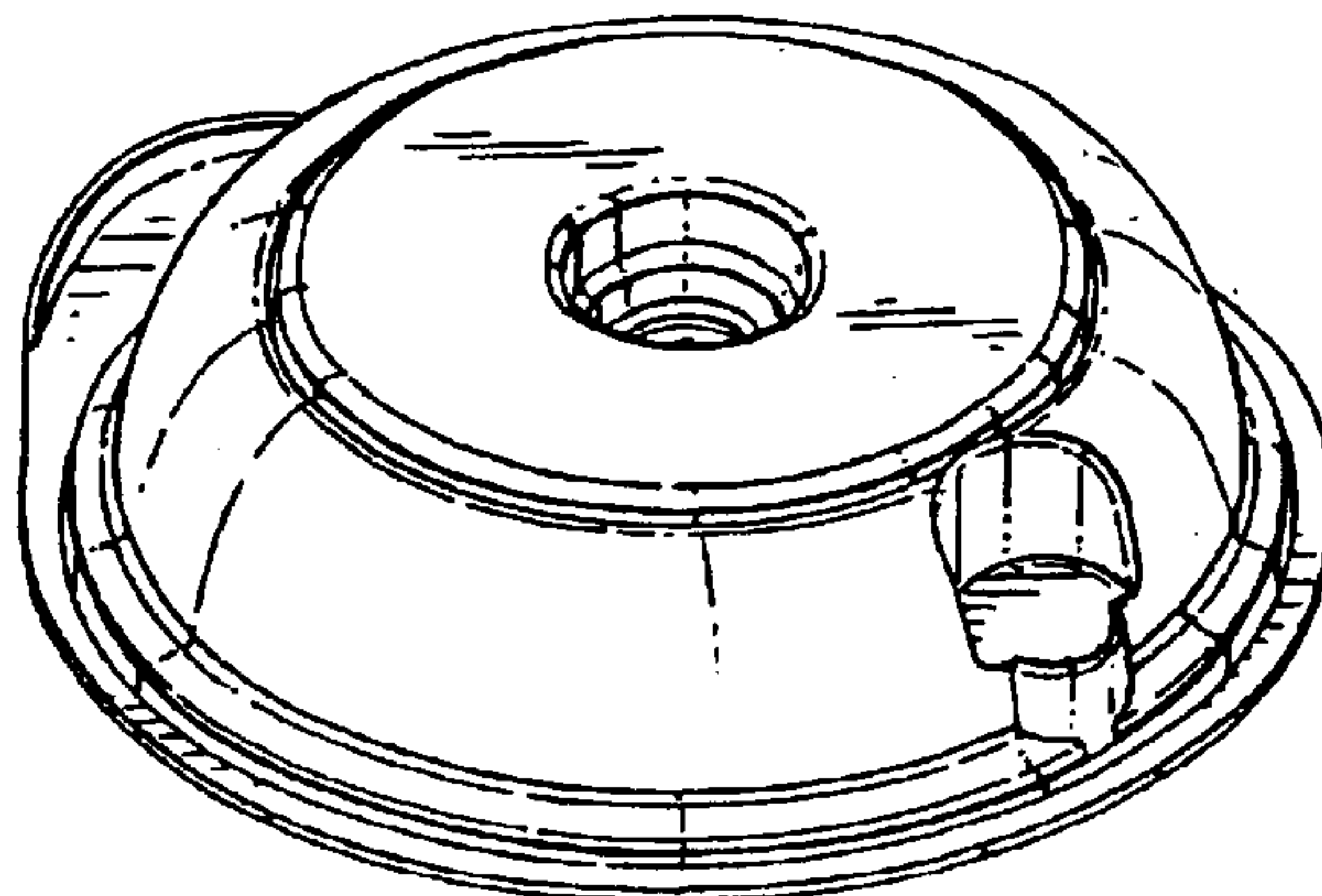
(57) **CLAIM**

The ornamental design for a coffee pod, as shown and described.

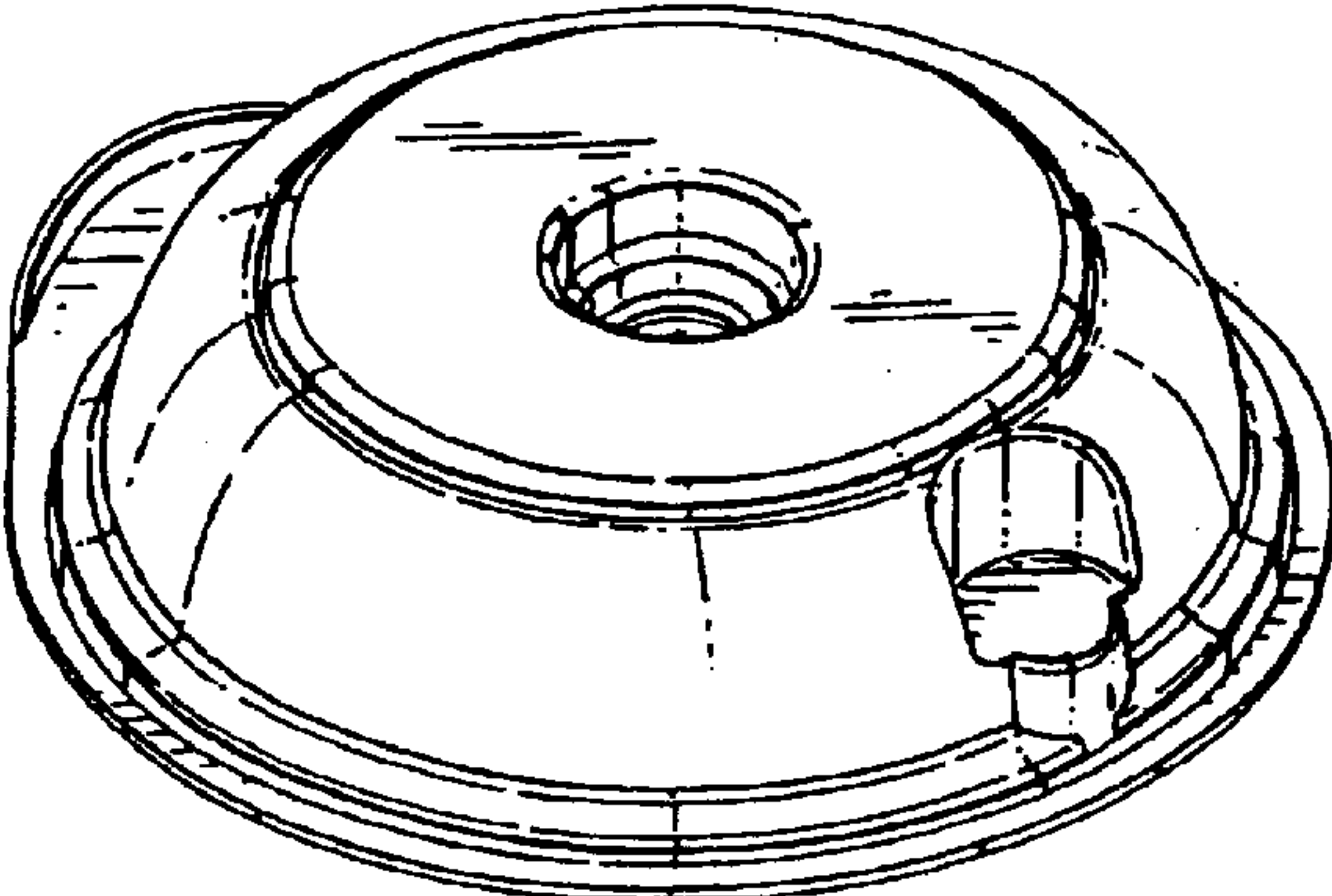
**DESCRIPTION**

FIG. 1 is a perspective view showing a first embodiment of our new design, comprising a coffee pod;  
FIG. 2 is a bottom perspective view of the coffee pod of FIG. 1;  
FIG. 3 is a top plan view of the coffee pod of FIG. 1;  
FIG. 4 is a perspective view showing a second embodiment of our new design, comprising a coffee pod;  
FIG. 5 is a bottom perspective view of the coffee pod of FIG. 4; and,  
FIG. 6 is a top plan view of the coffee pod of FIG. 4.

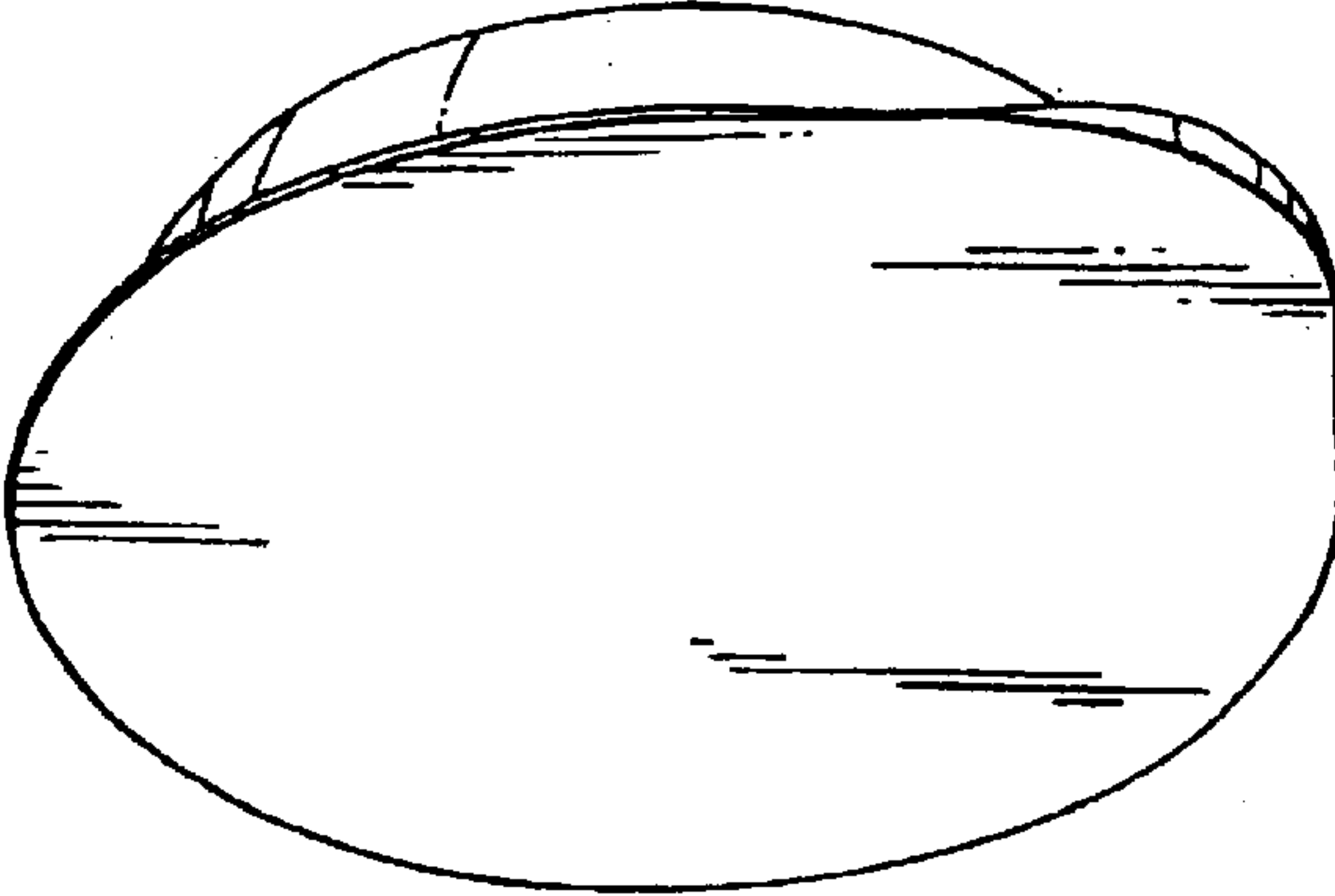
**1 Claim, 2 Drawing Sheets**



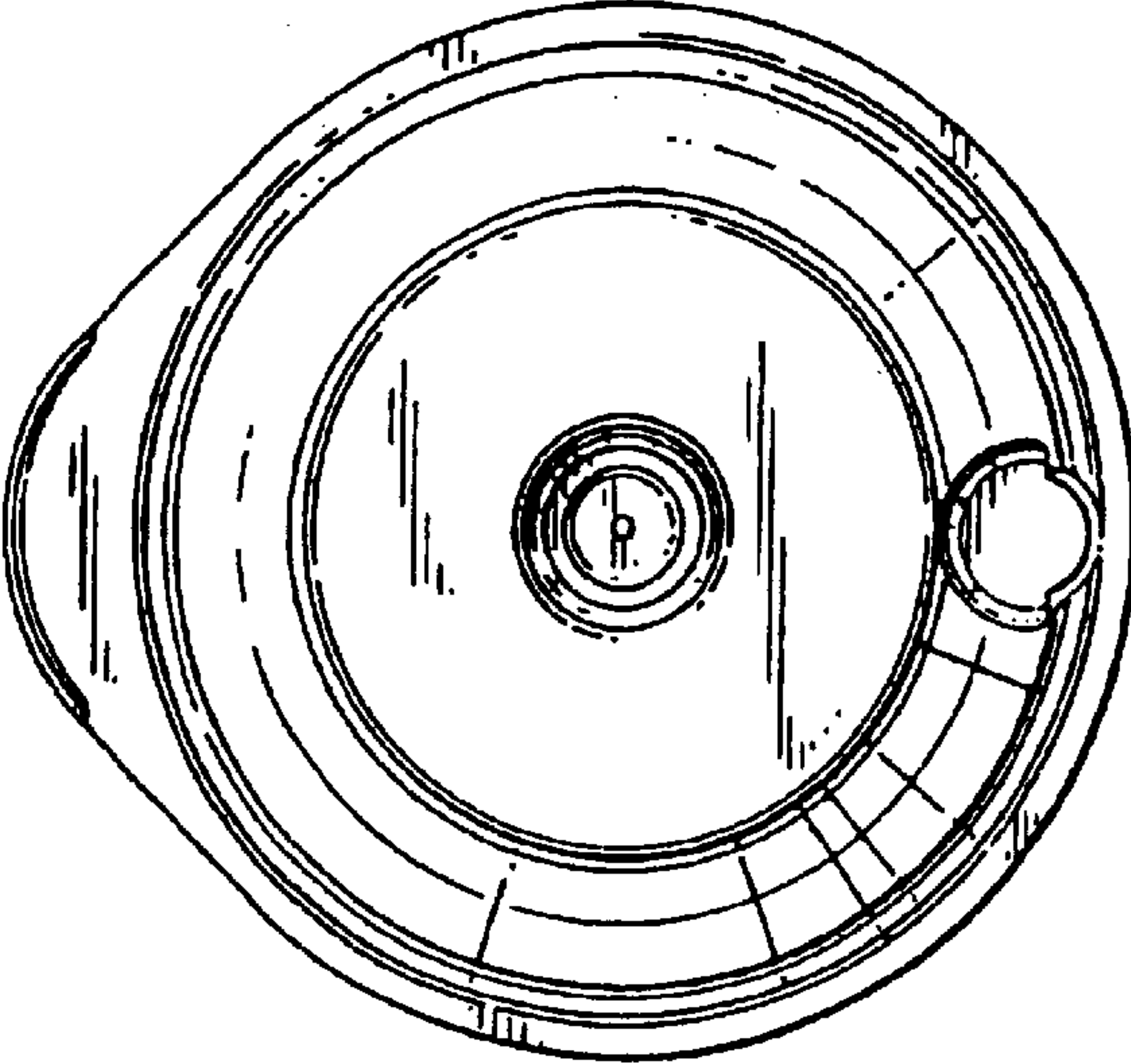
**FIGURE 1**



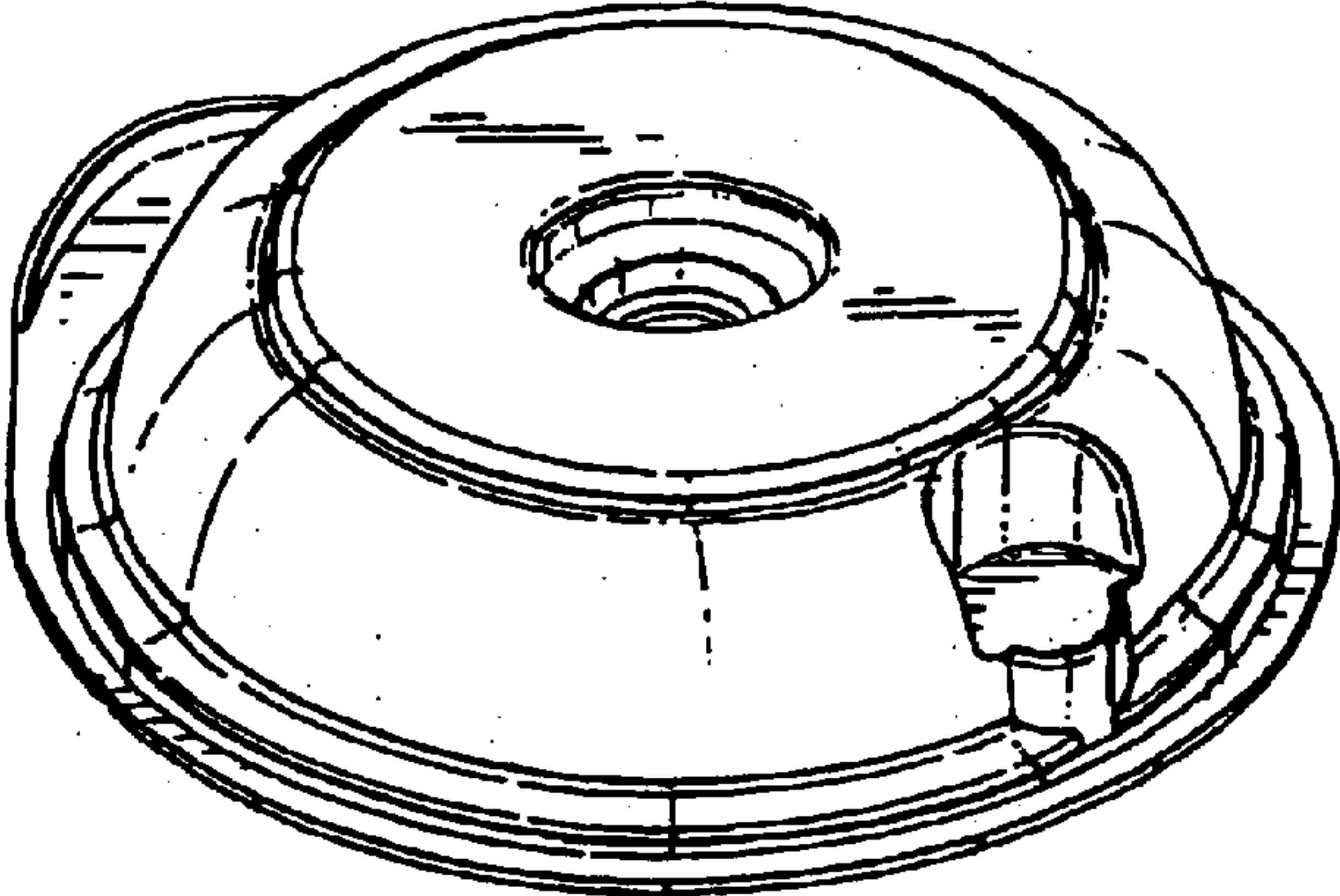
**FIGURE 2**



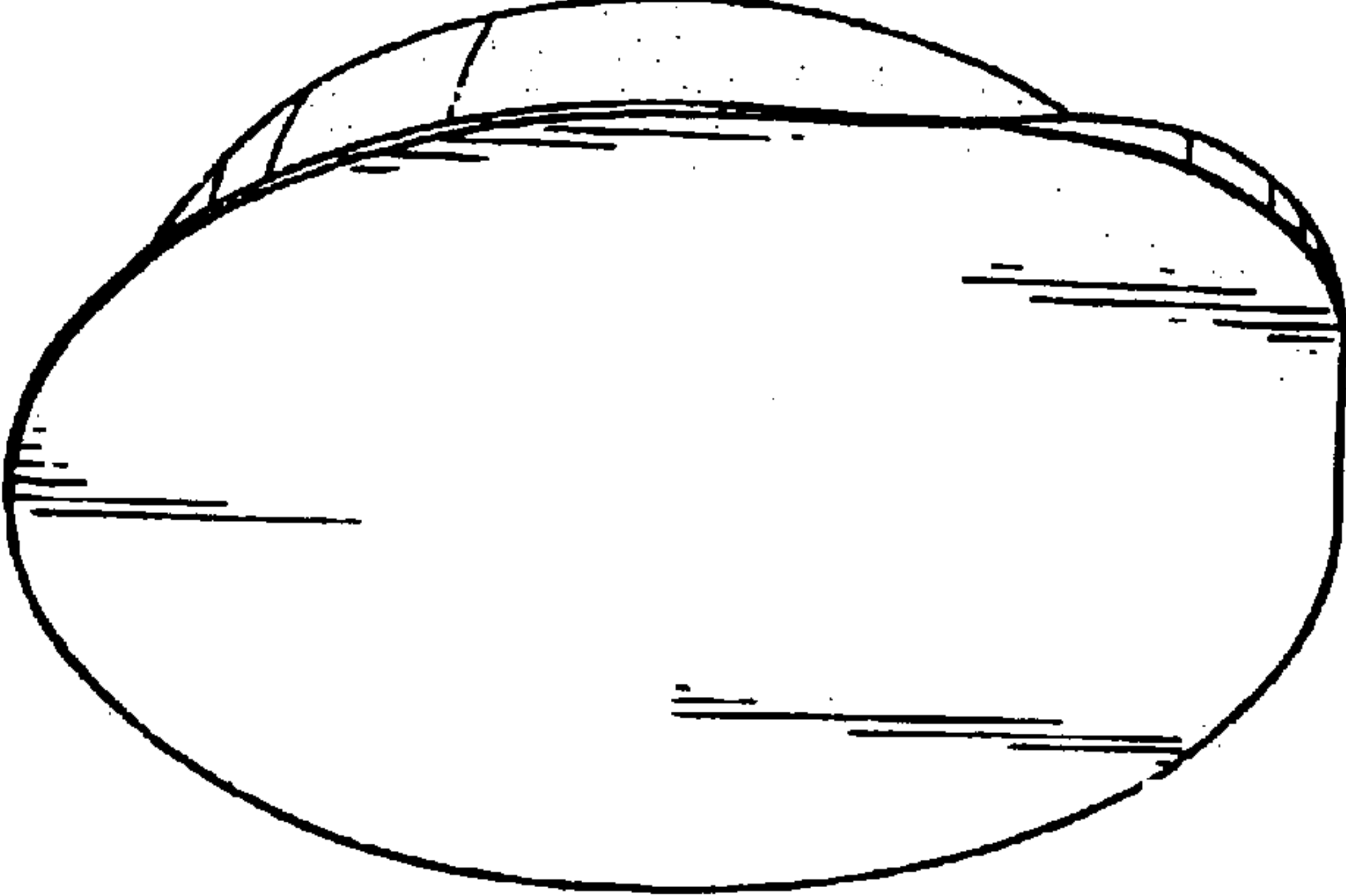
**FIGURE 3**



**FIGURE 4**



**FIGURE 5**



**FIGURE 6**

