

US00D506925S

(12) **United States Design Patent**
Plumer

(10) **Patent No.:** **US D506,925 S**
(45) **Date of Patent:** **** Jul. 5, 2005**

(54) **DISPLAY PACKAGE FOR A VEHICLE
WHEEL LUG NUT KIT**

(76) **Inventor:** **Mark J. Plumer**, 18400 Gale Ave.,
City of Industry, CA (US) 91748

(**) **Term:** **14 Years**

(21) **Appl. No.:** **29/200,605**

(22) **Filed:** **Mar. 2, 2004**

(51) **LOC (8) Cl.** **09-07**

(52) **U.S. Cl.** **D9/415**

(58) **Field of Search** D9/415, 418, 341,
D9/337, 414; 206/461-471, 806, 495, 372-379,
349; D3/301, 905

(56) **References Cited**

U.S. PATENT DOCUMENTS

4,512,474 A	*	4/1985	Harding	206/461
D320,158 S	*	9/1991	Contino	D9/415
5,129,516 A	*	7/1992	Theros	206/463
5,203,469 A	*	4/1993	Chang et al.	220/812

5,358,113 A	*	10/1994	Hellenbrand	206/411
5,447,232 A	*	9/1995	Chow	206/378
D400,098 S	*	10/1998	Wang	D9/415
D420,578 S	*	2/2000	Plumer	D9/415
D469,686 S	*	2/2003	Yang	D9/415
D471,099 S	*	3/2003	Yang	D9/415
D483,261 S	*	12/2003	Stanley	D9/415
D497,547 S	*	10/2004	Kumakura et al.	D9/415

* cited by examiner

Primary Examiner—Prabhakar Deshmukh

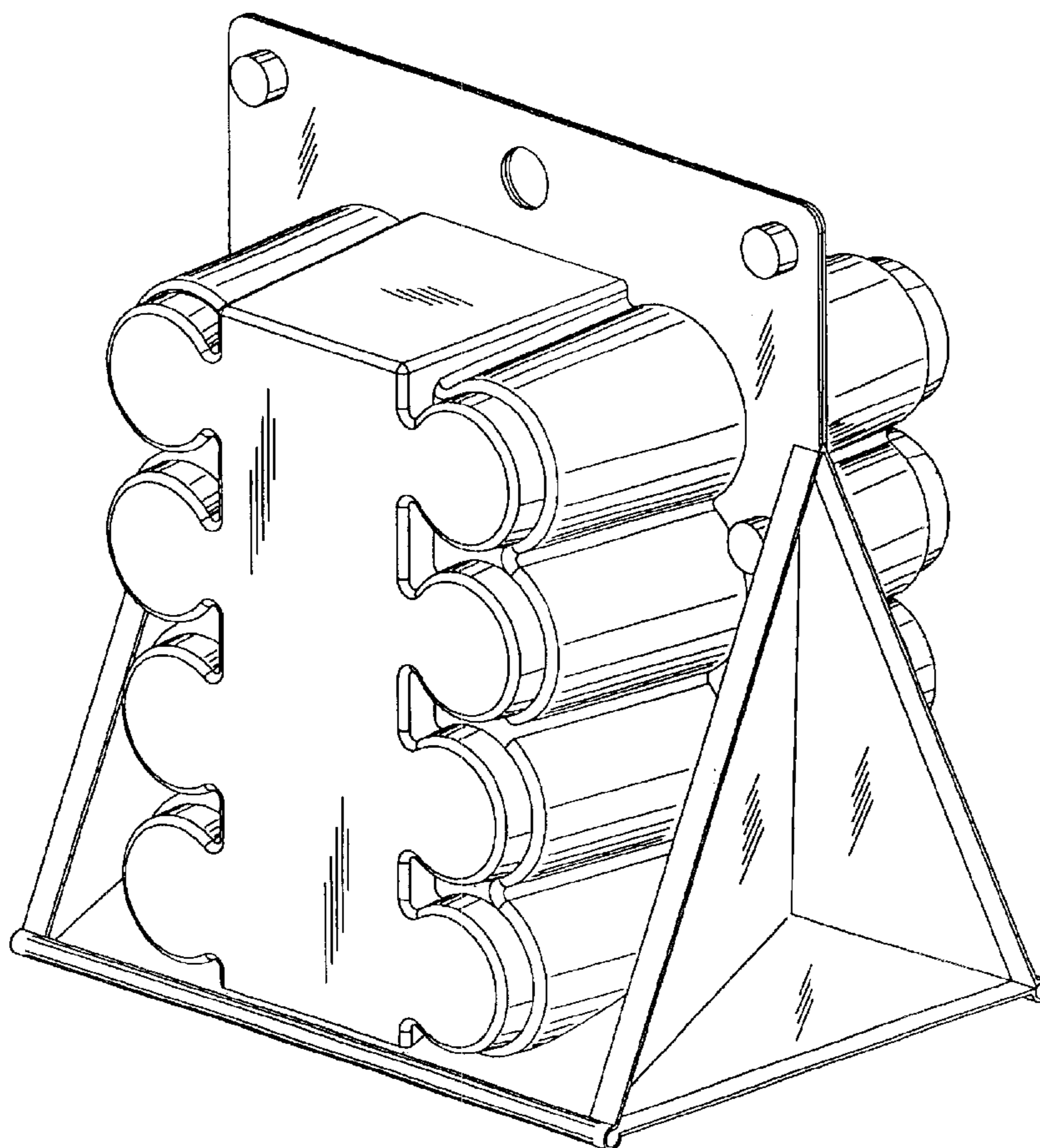
(57) **CLAIM**

The ornamental design for display package for a vehicle wheel lug nut kit, as shown and described.

DESCRIPTION

FIG. 1 is a perspective view of a display package for the vehicle wheel lug nut kit; and,
FIG. 2 is a left side elevational view thereof; the right side elevational view is a mirror image thereof.

1 Claim, 2 Drawing Sheets



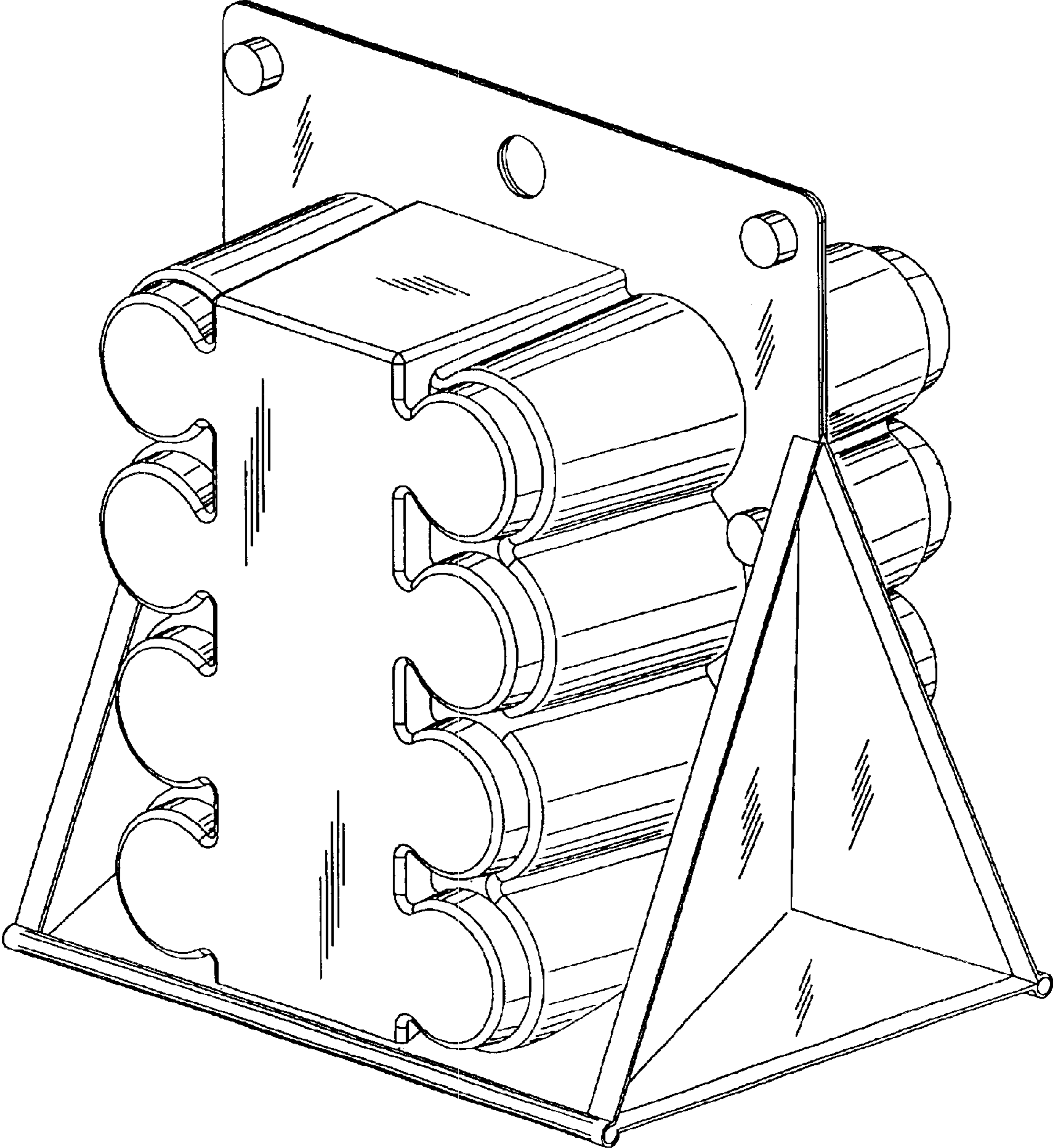


Fig. 1

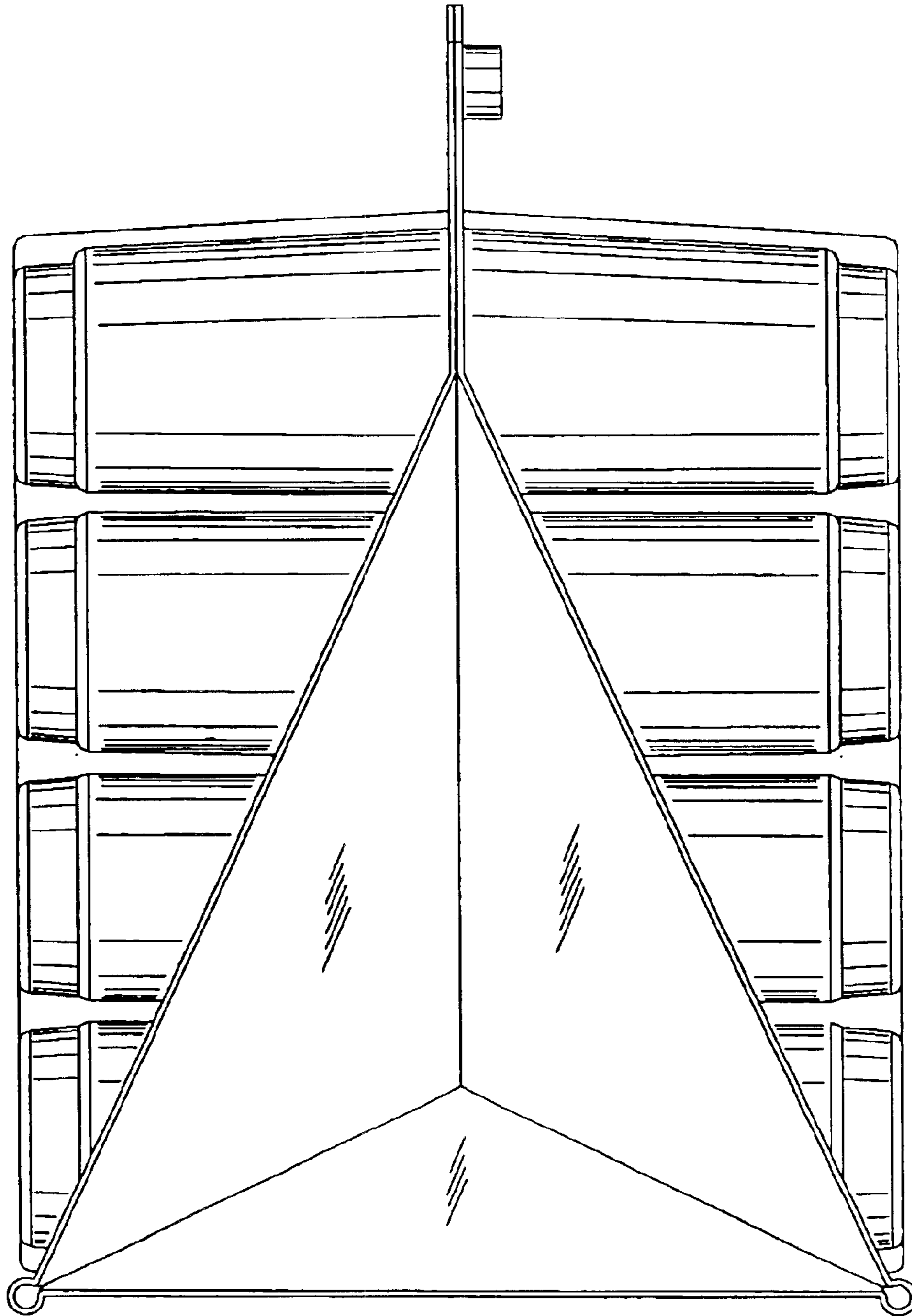


Fig. 2