



US00D506920S

(12) **United States Design Patent**  
**Taylor**

(10) **Patent No.:** **US D506,920 S**  
(45) **Date of Patent:** **\*\* Jul. 5, 2005**

(54) **CURTAIN ROD**

(76) **Inventor:** **Carol A. Taylor**, 5430 Surrey Cir.,  
Dallas, TX (US) 75209

(\*\*) **Term:** **14 Years**

(21) **Appl. No.:** **29/189,646**

(22) **Filed:** **Sep. 9, 2003**

(51) **LOC (8) Cl.** ..... **08-05**

(52) **U.S. Cl.** ..... **D8/376**

(58) **Field of Search** ..... D8/378, 376, 368;  
160/38-39, 330; D6/580, 550; 211/105.3,  
105.1

(56) **References Cited**

**U.S. PATENT DOCUMENTS**

372,813 A	*	11/1887	Morris	.....	16/87.2
D117,205 S	*	10/1939	Stratton	.....	D8/376
D317,399 S	*	6/1991	Varley et al.	.....	D8/376
5,791,013 A	*	8/1998	Lin	.....	16/87.2

\* cited by examiner

*Primary Examiner*—Holly Baynham

(74) *Attorney, Agent, or Firm*—Michael A. O’Neil

(57) **CLAIM**

The ornamental design for a curtain rod, as shown and described.

**DESCRIPTION**

FIG. 1 is a left front perspective view of a curtain rod which embodies a first embodiment of the present design shown in

full lines, the item shown in broken lines is depicted for illustrative purposes only and forms no part of the claimed design;

FIG. 2 is a front view of the curtain rod;

FIG. 3 is a left side view of the curtain rod;

FIG. 4 is a right side view of the curtain rod;

FIG. 5 is a back view of the curtain rod;

FIG. 6 is a top view of the curtain rod;

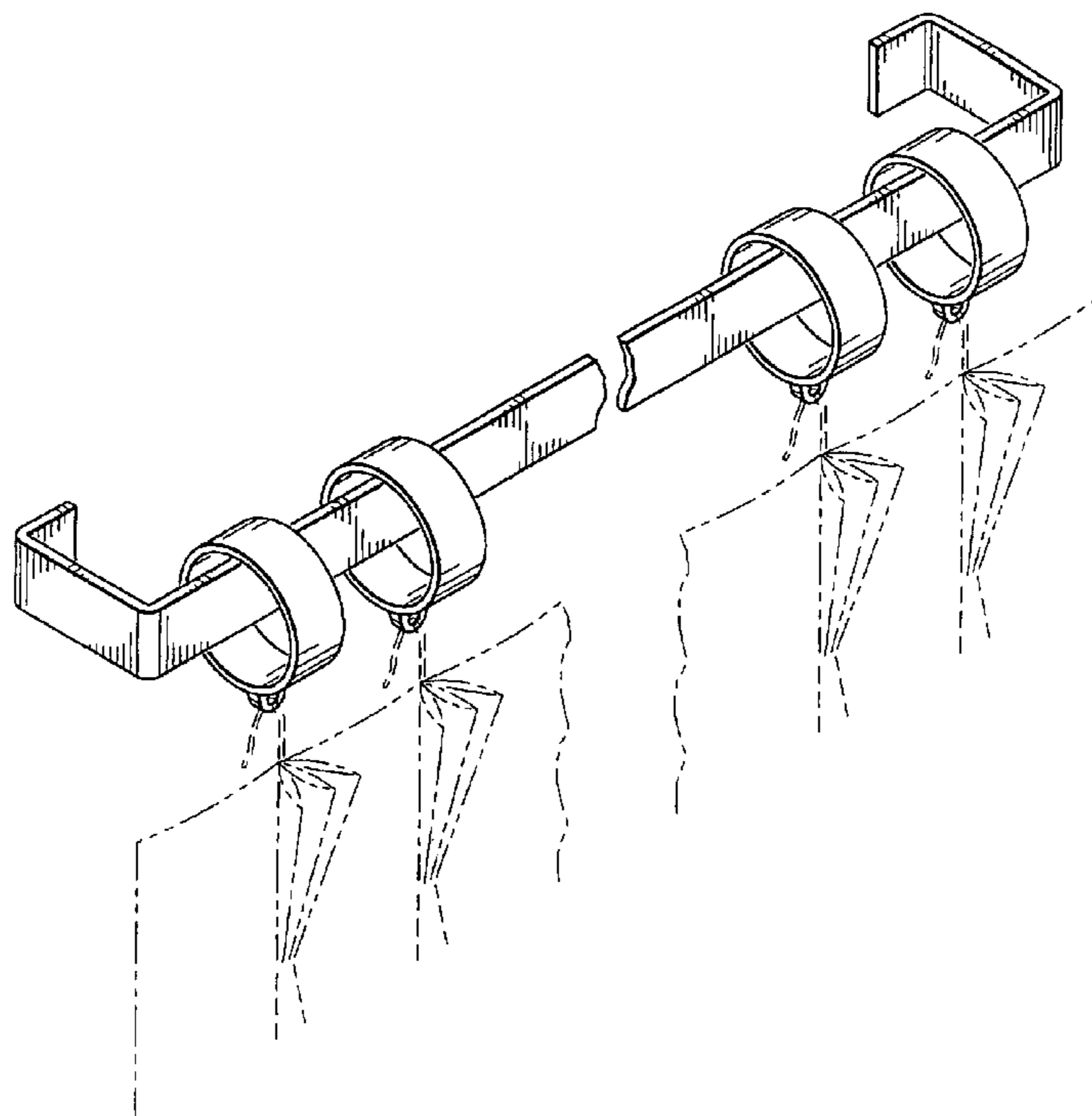
FIG. 7 is a bottom view of the curtain rod;

FIG. 8 is a left front perspective view of a curtain rod which embodies a second embodiment of the present design shown in full lines, the item shown in broken lines is depicted for illustrative purposes only and forms no part of the claimed design; and,

FIG. 9 is a left front perspective view of a curtain rod which embodies a third embodiment of the present design shown in full lines, the item shown in broken lines is depicted for illustrative purposes only and forms no part of the claimed design.

The drawing views are shown broken away in FIGS. 1-2 and 5-9 to indicate indeterminate length.

**1 Claim, 3 Drawing Sheets**



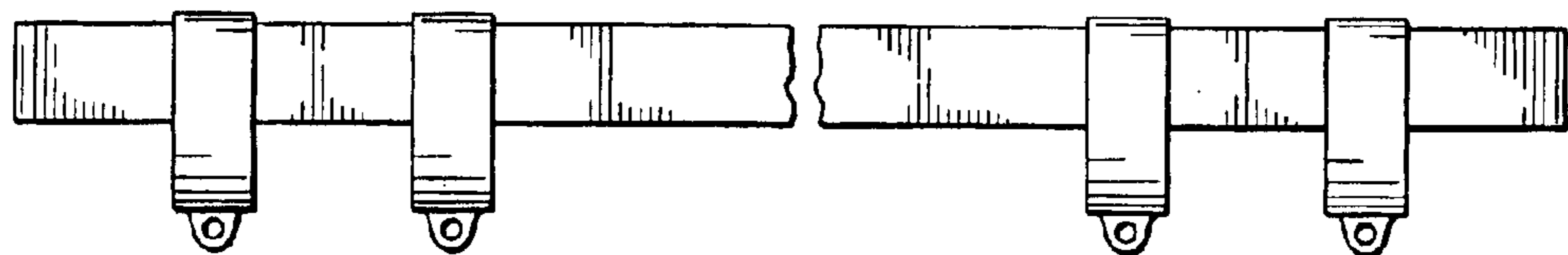
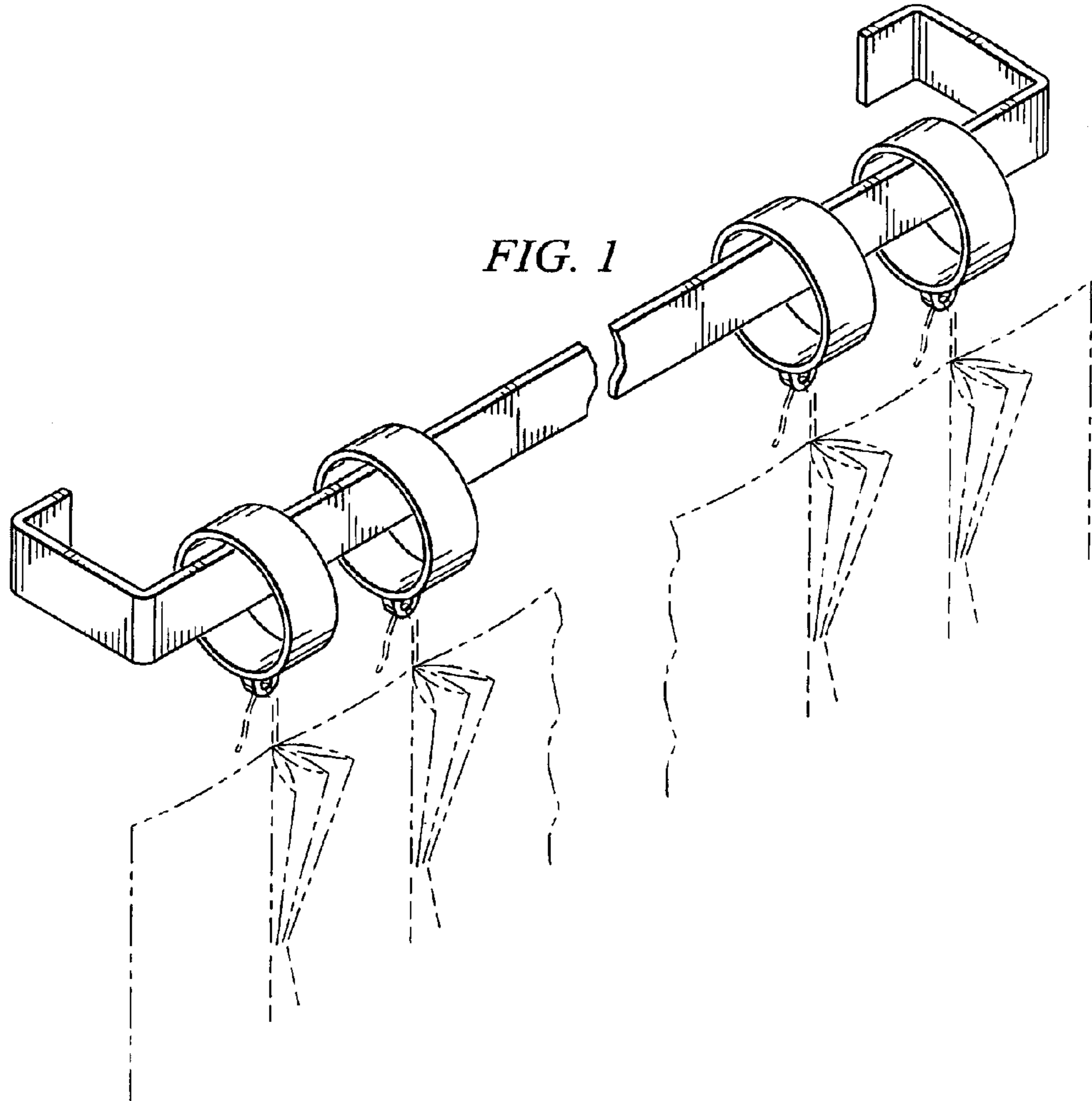


FIG. 2

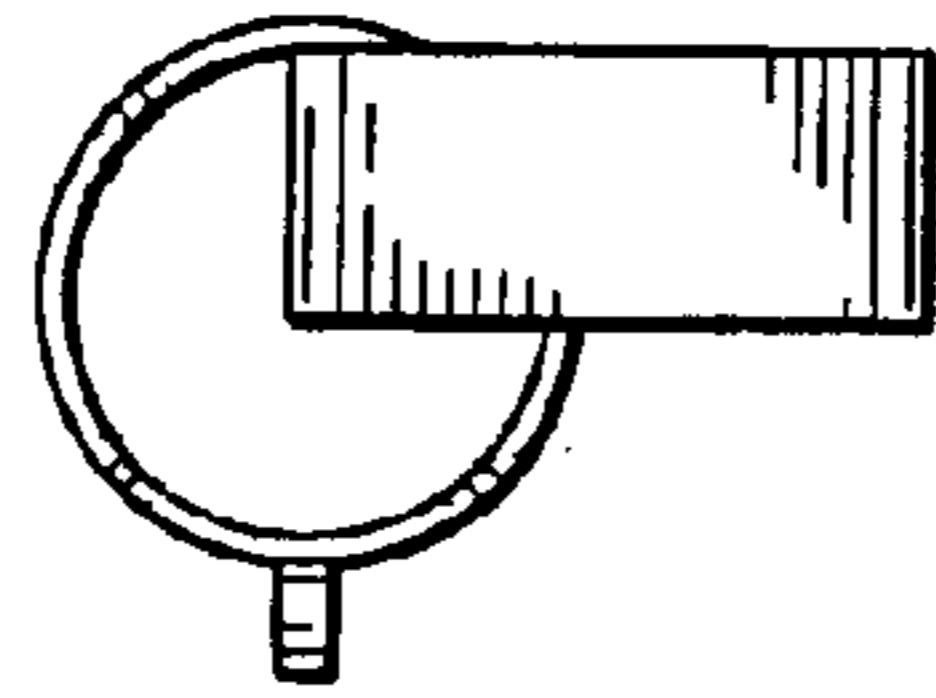


FIG. 3

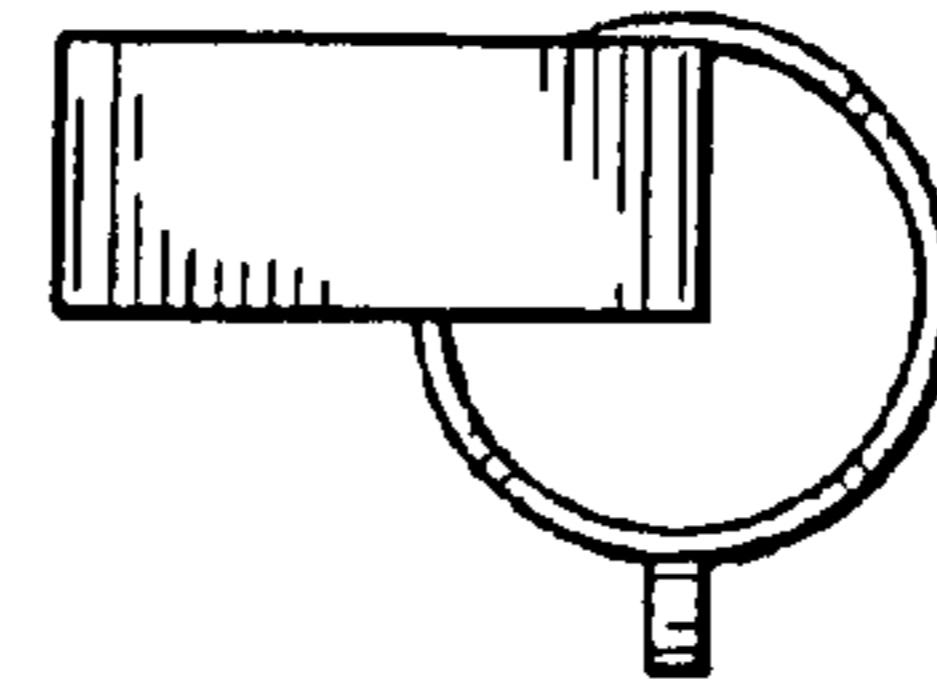


FIG. 4

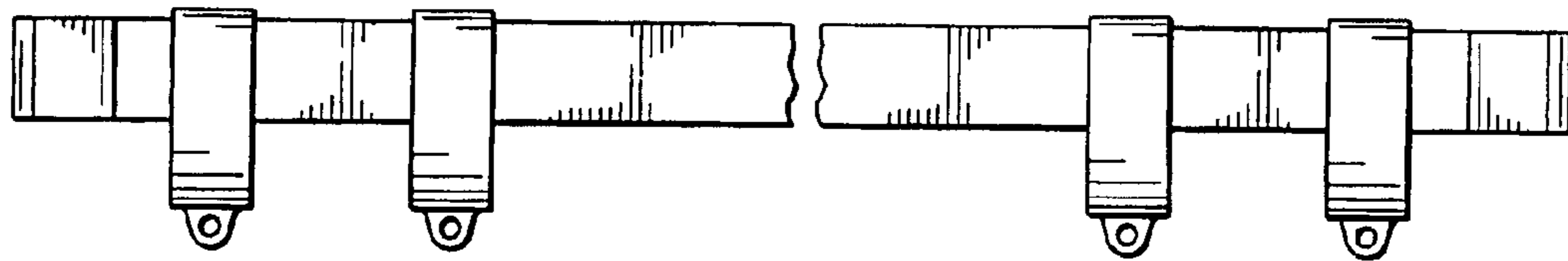


FIG. 5

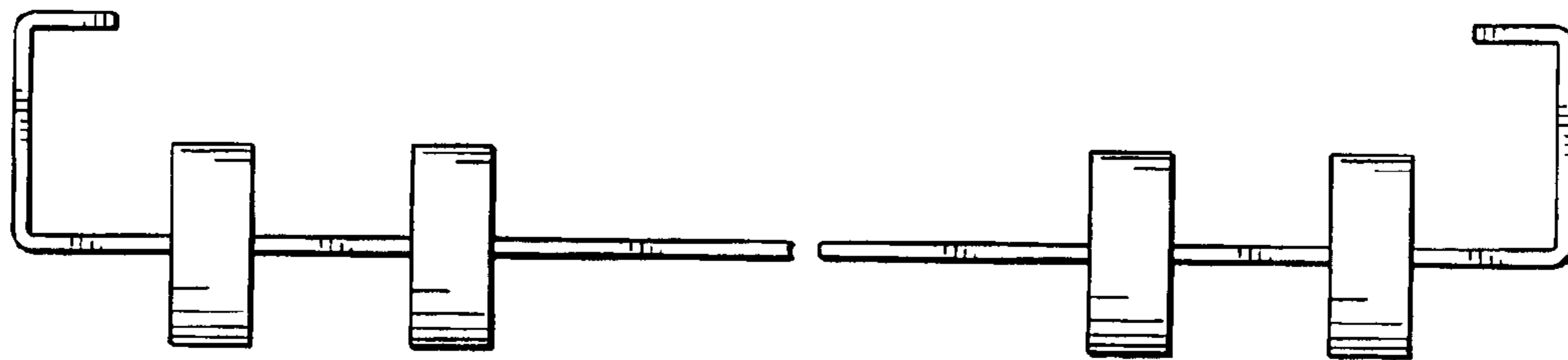


FIG. 6

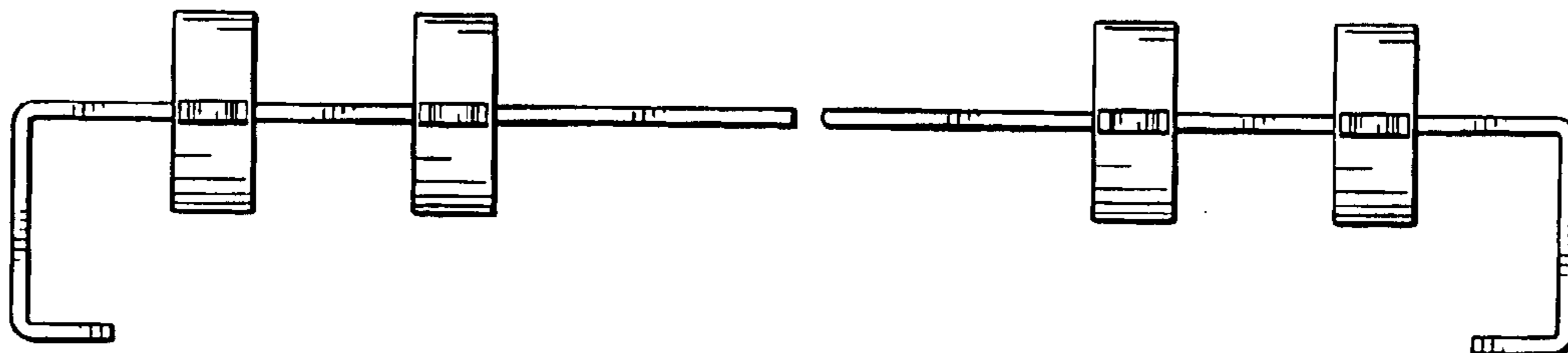


FIG. 7

