

US00D506919S

(12) **United States Design Patent**
Munson et al.

(10) **Patent No.:** **US D506,919 S**
(45) **Date of Patent:** **** Jul. 5, 2005**

(54) **PICTURE HANGER**

(75) Inventors: **Leslie C. Munson**, San Juan
Capistrano, CA (US); **Steve A. Kumetz**,
Los Angeles, CA (US); **James M.**
Gallien, Hidden Hills, CA (US)

(73) Assignee: **Hangman Products, Inc.**, Woodland
Hills, CA (US)

(**) Term: **14 Years**

(21) Appl. No.: **29/199,586**

(22) Filed: **Feb. 18, 2004**

(51) **LOC (8) Cl.** **08-05**

(52) **U.S. Cl.** **D8/373**

(58) **Field of Search** D8/373, 381, 354;
248/496-498, 489

(56) **References Cited**

U.S. PATENT DOCUMENTS

D198,471 S	*	6/1964	Rankin, Jr.	D8/381
D227,981 S	*	7/1973	LaBorde	D25/119
4,228,982 A		10/1980	Sellera		
4,597,554 A		7/1986	James		
4,606,526 A		8/1986	Rabinowitz		
4,712,761 A		12/1987	Wassell		
5,209,449 A		5/1993	Hart		
5,303,895 A		4/1994	Hart		
D357,407 S	*	4/1995	Pate	D8/381
5,480,120 A		1/1996	Bruner		

5,791,625 A	*	8/1998	Orser	248/495
5,802,729 A		9/1998	O'Brien et al.		
5,947,438 A		9/1999	Lemire		
6,286,802 B1		9/2001	Munson et al.		
6,322,039 B1		11/2001	De Luccia		
D479,008 S	*	8/2003	Krieger	D25/136
6,609,693 B2		8/2003	Hui		
2003/0038222 A1	*	2/2003	Holmes	248/475.1

* cited by examiner

Primary Examiner—Holly Baynham

(74) *Attorney, Agent, or Firm*—Stetina Brunda Garred &
Brucker

(57) **CLAIM**

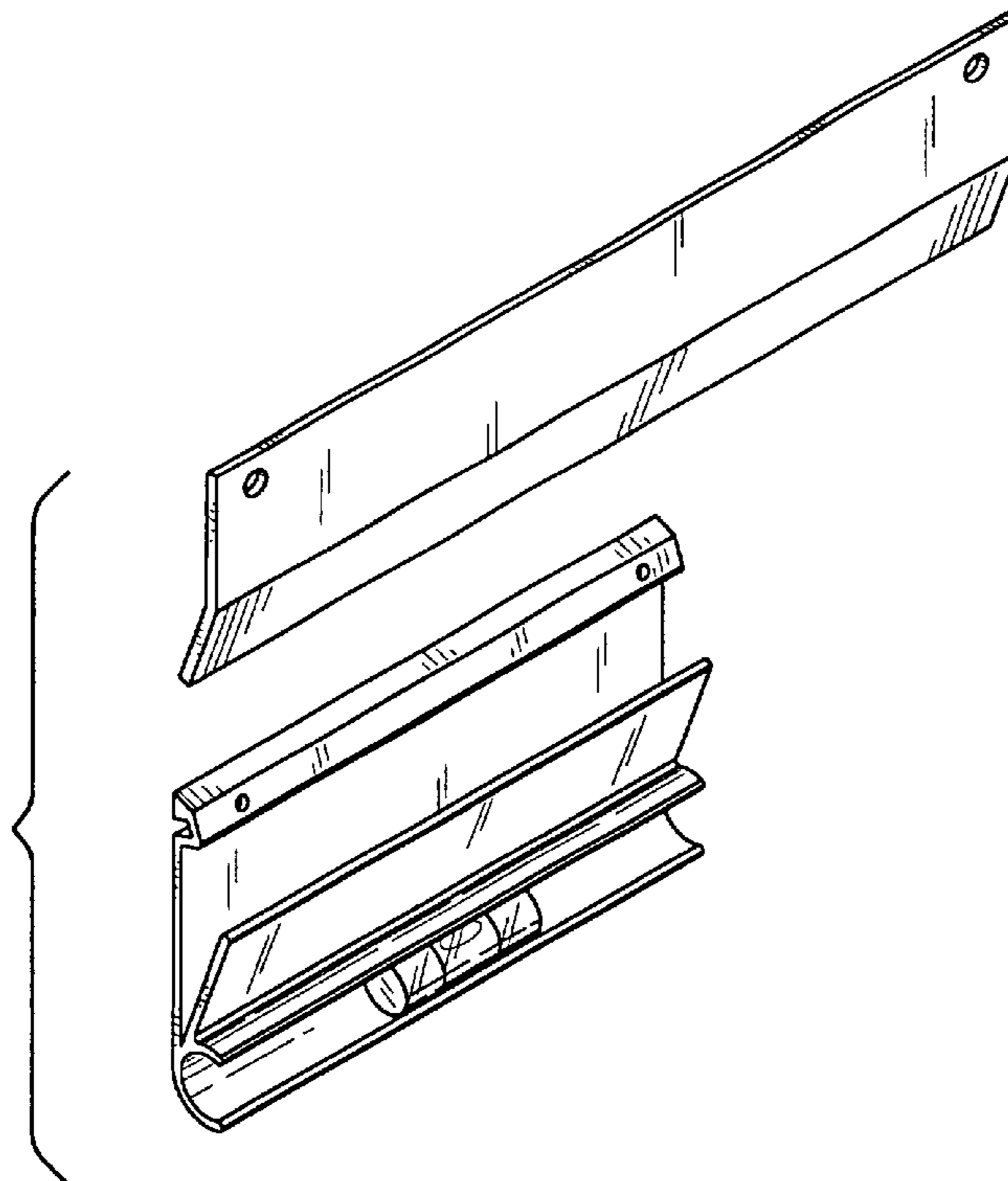
The ornamental design for a picture hanger, as shown and described.

DESCRIPTION

FIG. 1 is an exploded perspective view of the picture hanger of the present inventions showing our new design; FIG. 2 is an end view thereof; FIG. 3 is a front elevational view thereof; FIG. 4 is a top plan view thereof; FIG. 5 is a rear elevational view thereof; and, FIG. 6 is a bottom plan thereof.

The elements of the claimed design are shown in an exploded manner for clarity of illustration. The broken line showing of partial surfaces is for illustrative purposes only and form no part of the claimed design.

1 Claim, 2 Drawing Sheets



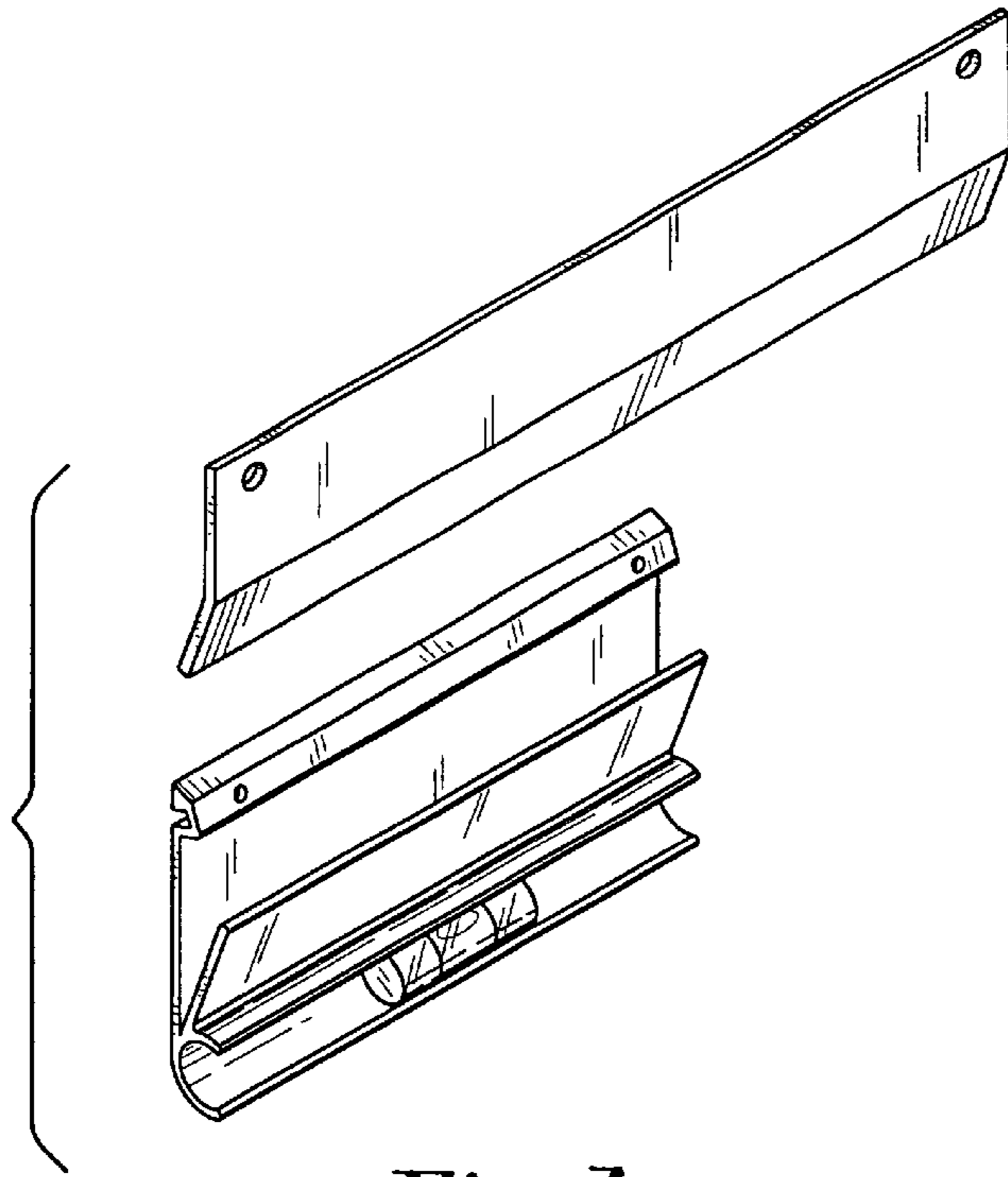


Fig. 1

Fig. 2

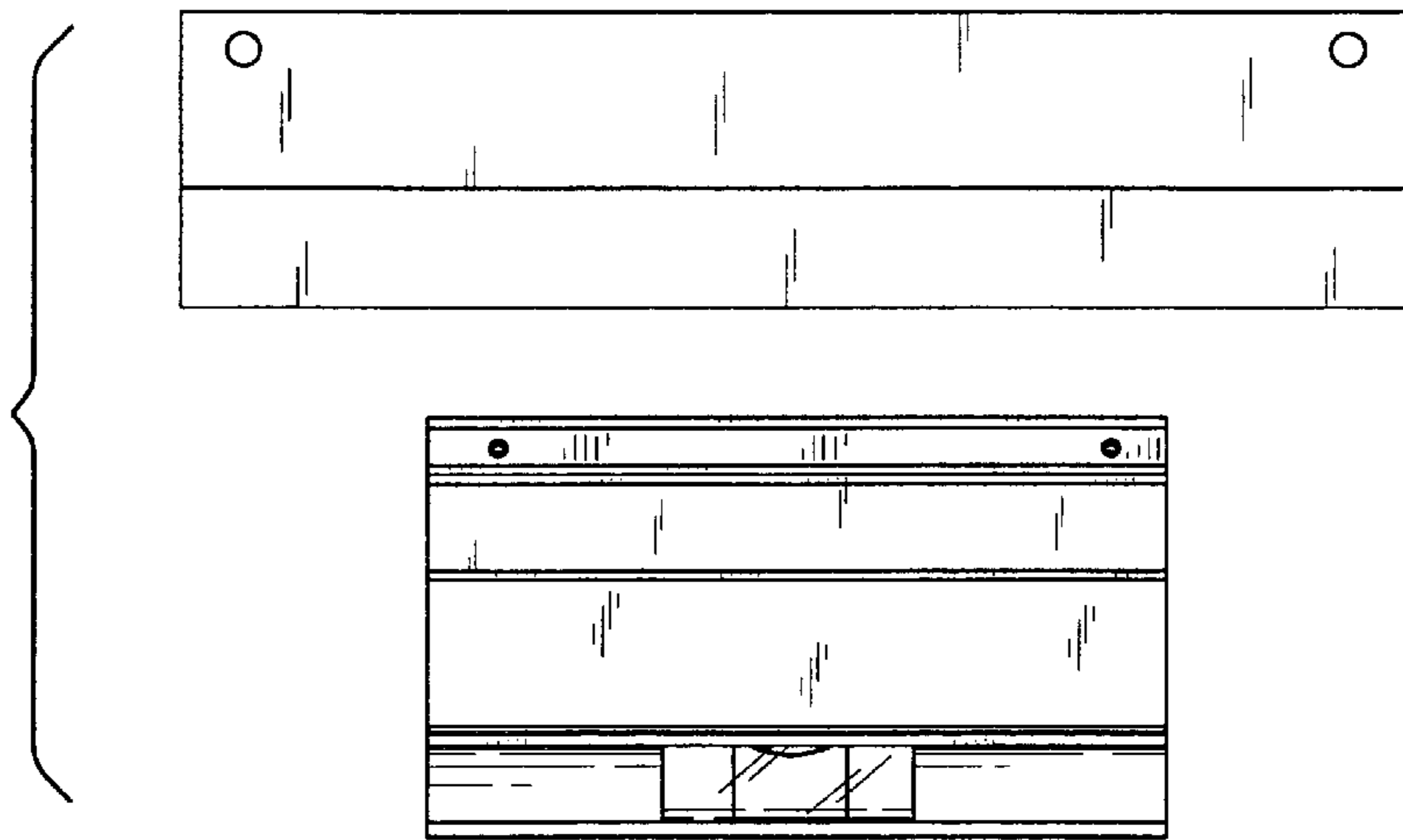
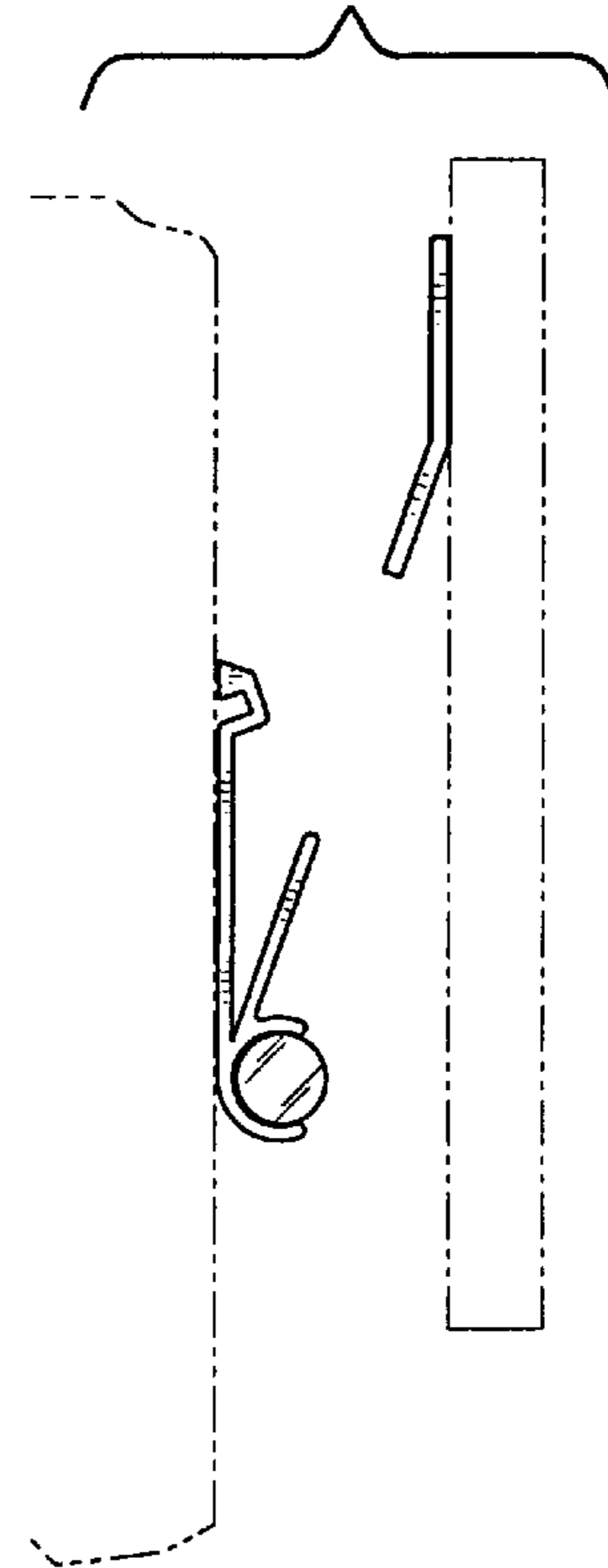


Fig. 3



Fig. 4

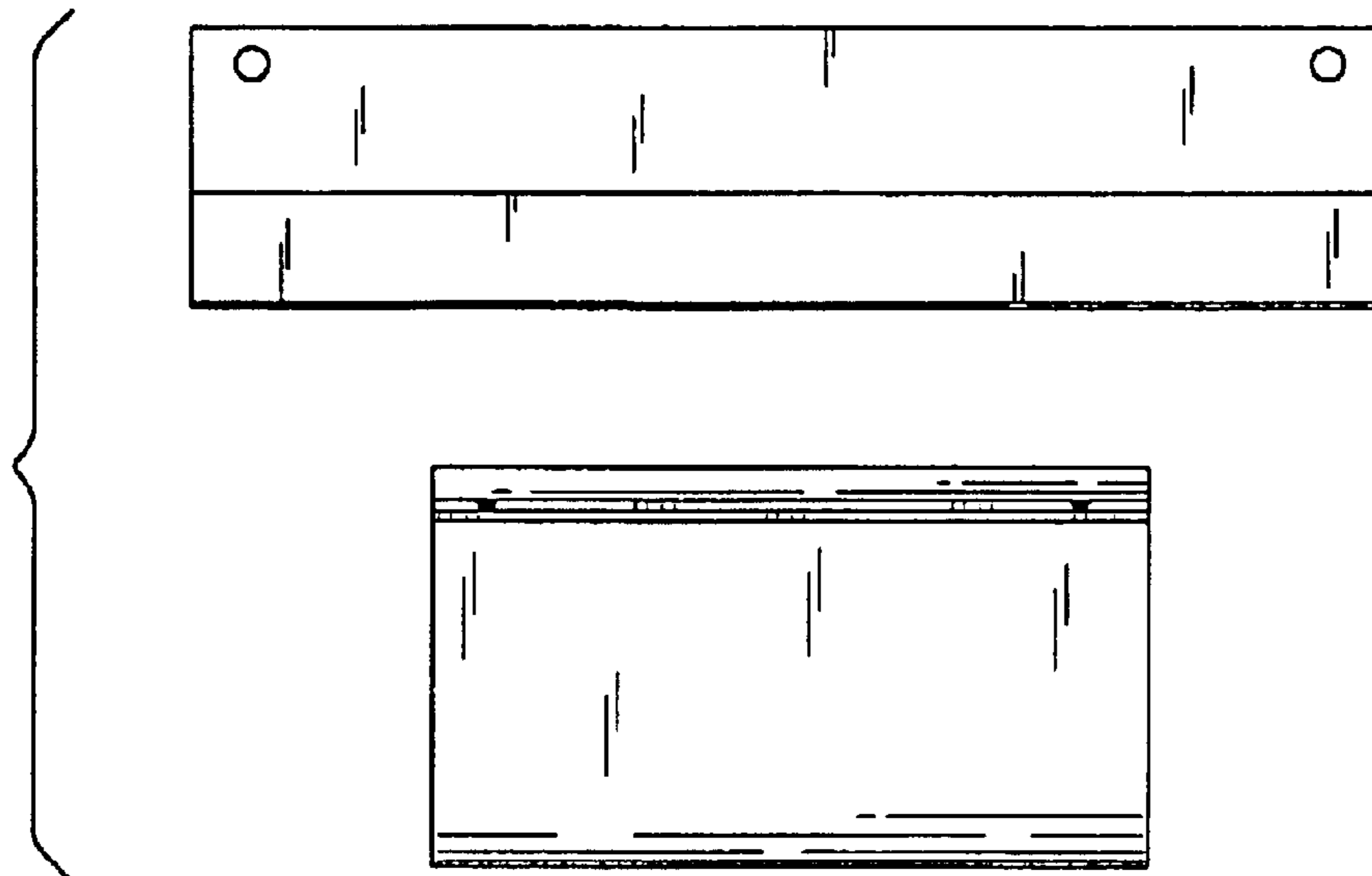


Fig. 5

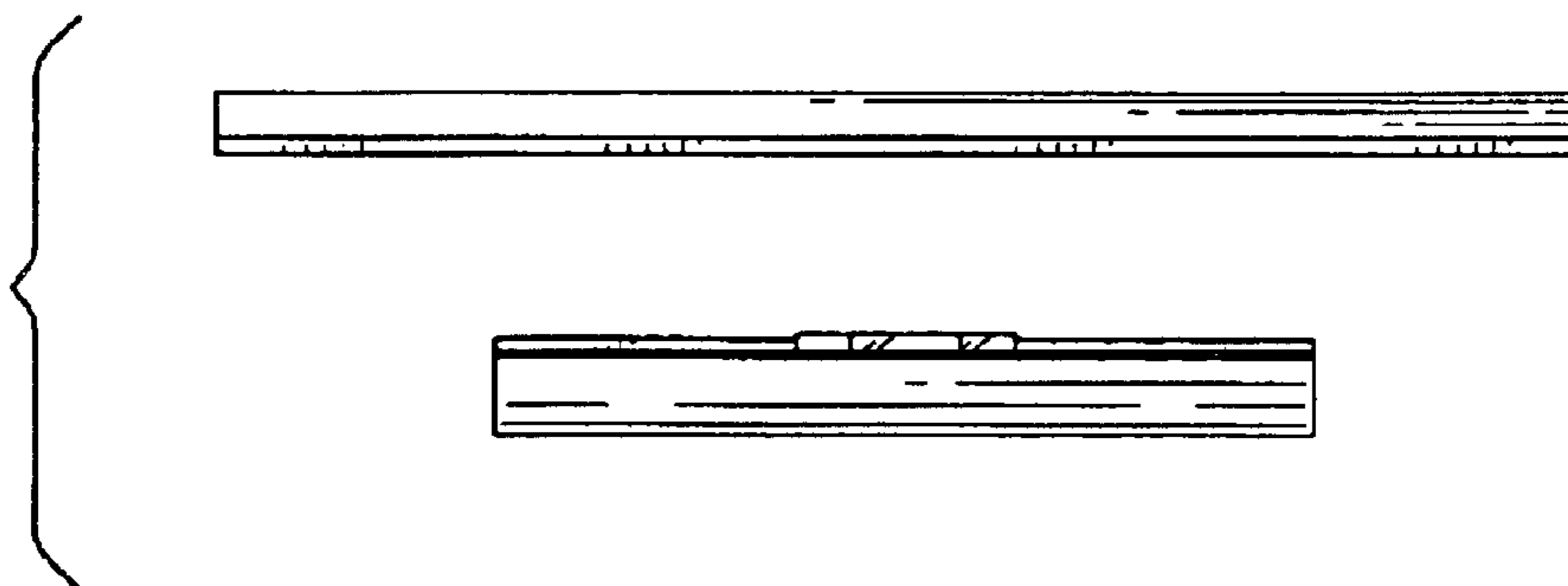


Fig. 6