

US00D506918S

(12) **United States Design Patent**
Nakajima

(10) **Patent No.:** **US D506,918 S**
(45) **Date of Patent:** **** Jul. 5, 2005**

(54) **FIXING BRACKET FOR DRUM HEAD**

(75) Inventor: **Kazuhito Nakajima**, Shizuoka (JP)

(73) Assignee: **Yamaha Corporation**, Shizuoka (JP)

(**) Term: **14 Years**

(21) Appl. No.: **29/185,311**

(22) Filed: **Jun. 26, 2003**

(30) **Foreign Application Priority Data**

Feb. 24, 2003 (JP) 2003-004410

(51) **LOC (8) Cl.** **08-05**

(52) **U.S. Cl.** **D8/354**

(58) **Field of Search** D8/349, 354, 355,
D8/356; D17/22, 99; 84/104, 411 R, 412,
413, 414, 415, 416, 417, 418, 419, 420,
421, 743

(56) **References Cited**

U.S. PATENT DOCUMENTS

- D151,638 S * 11/1948 Ludwig D17/22
- 4,300,437 A * 11/1981 Hinger et al. 84/411 R
- D267,098 S * 11/1982 Packer D17/22
- D353,612 S * 12/1994 Yanagisawa D17/22
- D387,375 S * 12/1997 Bacco D17/22

- 6,121,528 A * 9/2000 May 84/411 R
- D453,178 S * 1/2002 Reyes D17/22
- 2003/0230185 A1 * 12/2003 Ishimatsu 84/411 R

* cited by examiner

Primary Examiner—Joel A. Sincavage

Assistant Examiner—Elizabeth Albert

(74) *Attorney, Agent, or Firm*—Sughrue Mion, PLLC

(57) **CLAIM**

The ornamental design for a fixing bracket for drum head, as shown and described.

DESCRIPTION

FIG. 1 is a perspective view of the top, front and right side of a fixing bracket for drum head showing my new design; FIG. 2 is a front elevational view thereof; FIG. 3 is a top plan view thereof; FIG. 4 is a bottom plan view thereof; FIG. 5 is a left side elevational view thereof; FIG. 6 is a right side elevational view thereof; FIG. 7 is a rear elevational view thereof; and, FIG. 8 is a view of the fixing bracket for drum head on a reduced scale shown in position on a drum.

The elements shown in broken lines are for illustrative purposes only and do not form any part of the claimed design.

1 Claim, 3 Drawing Sheets

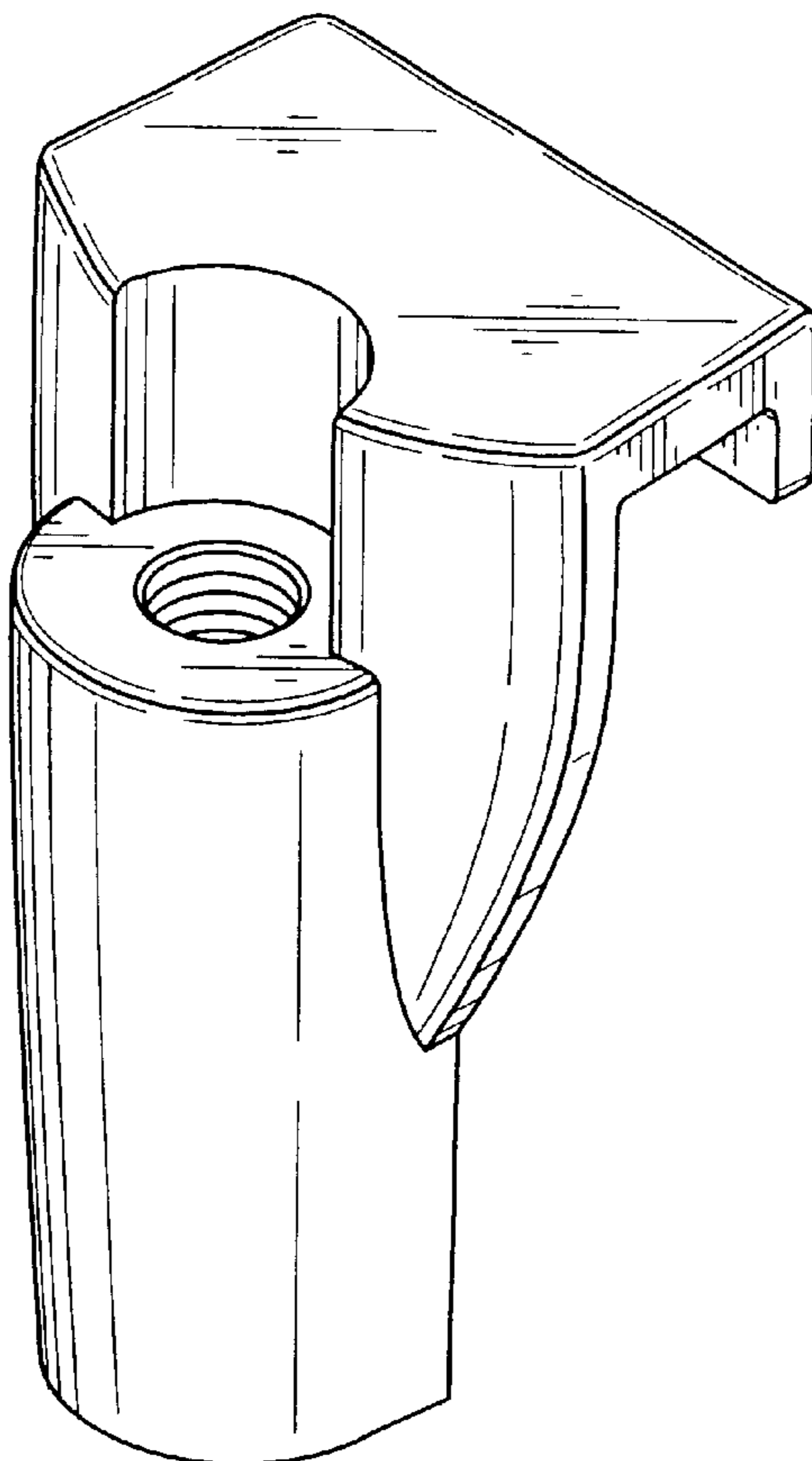


FIG. 1

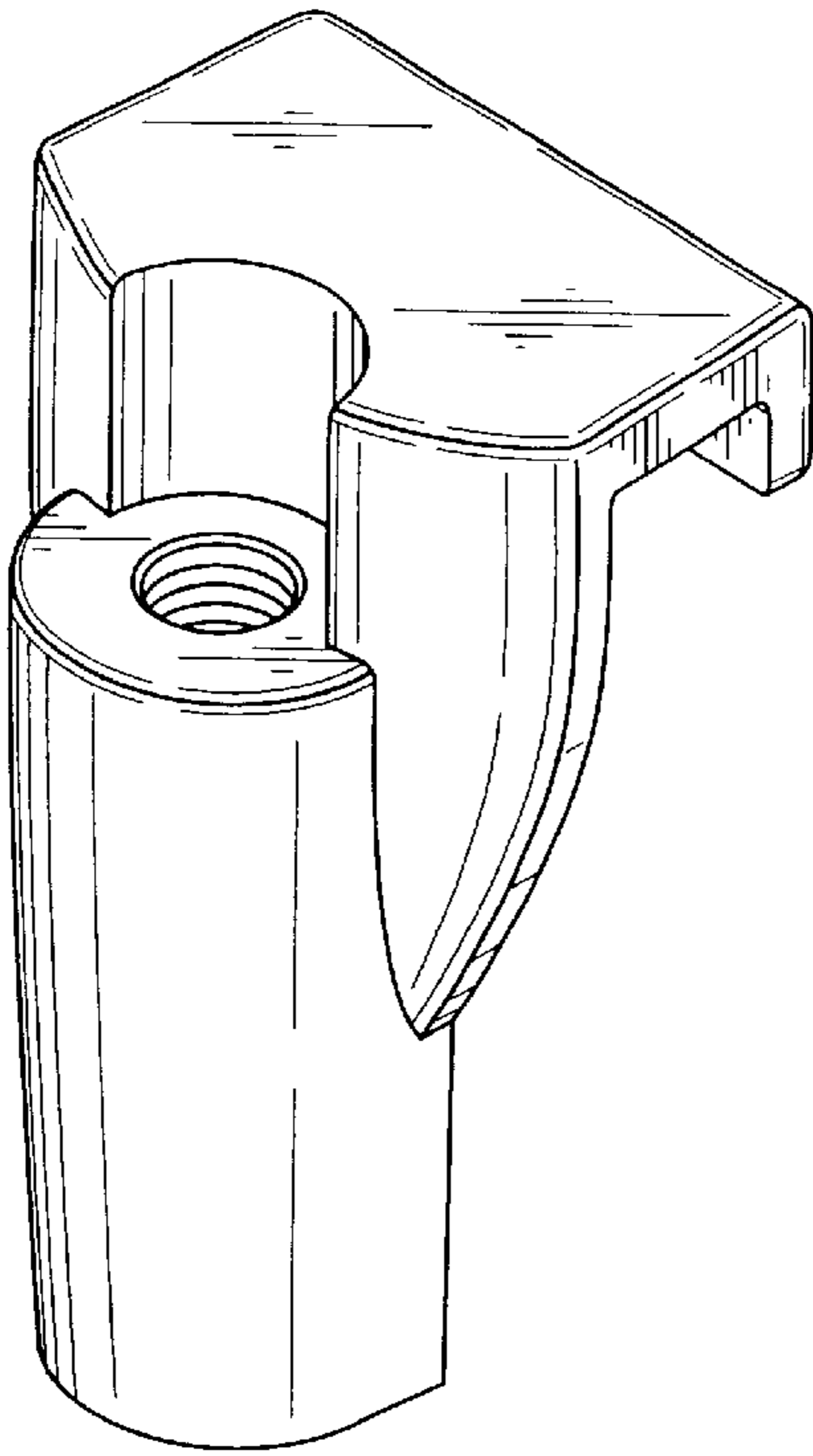


FIG. 2

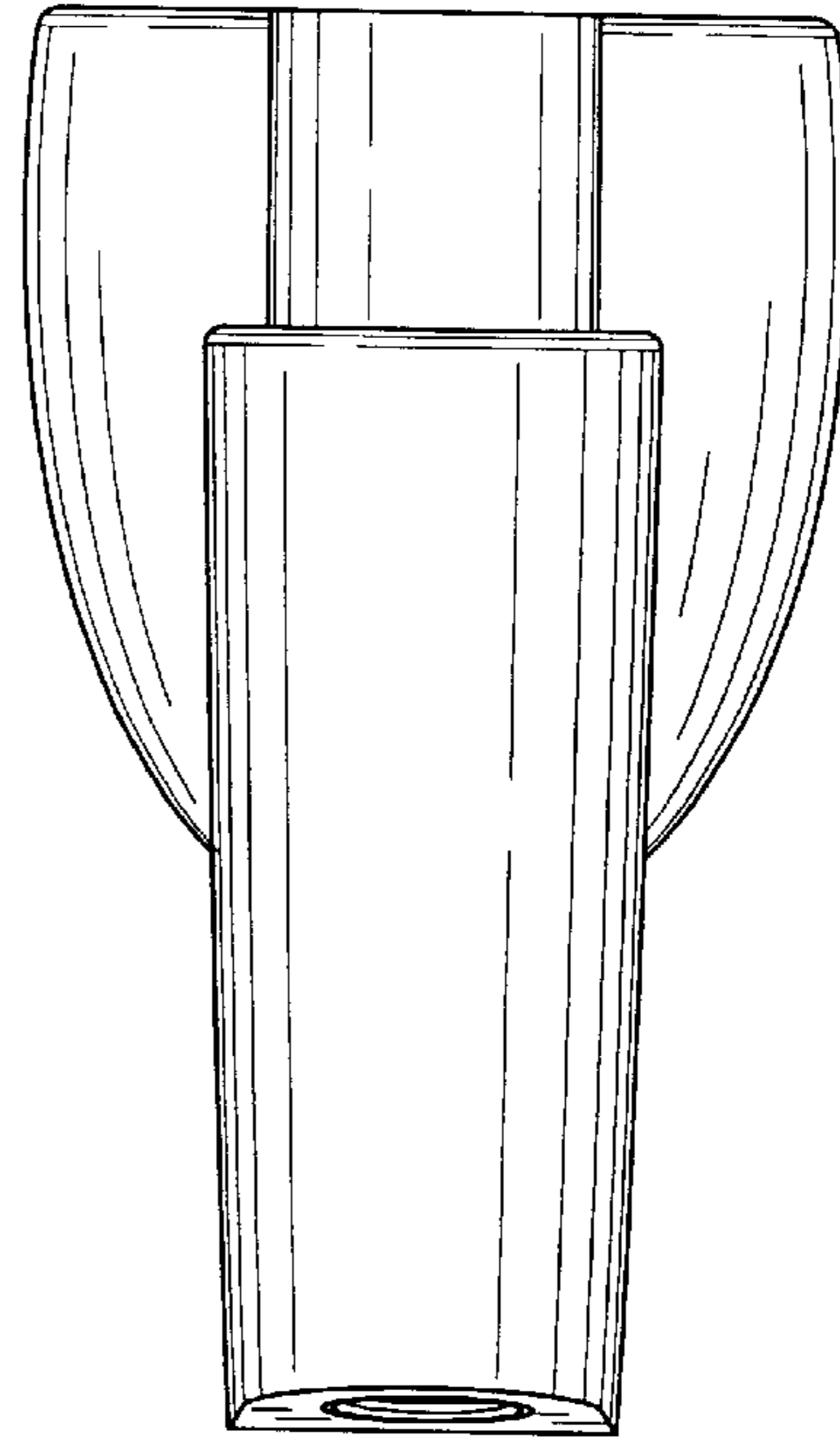


FIG. 3

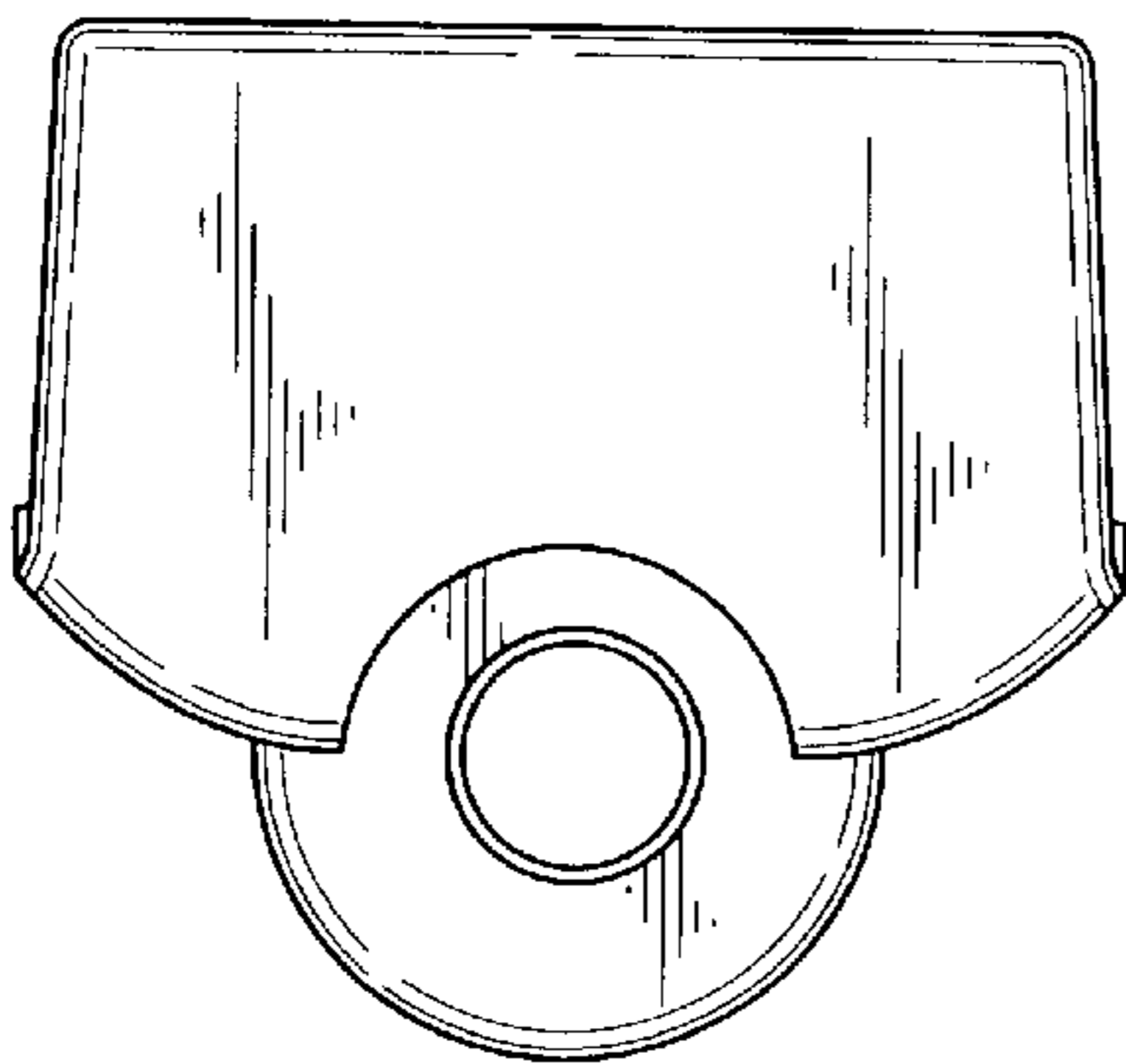


FIG. 4

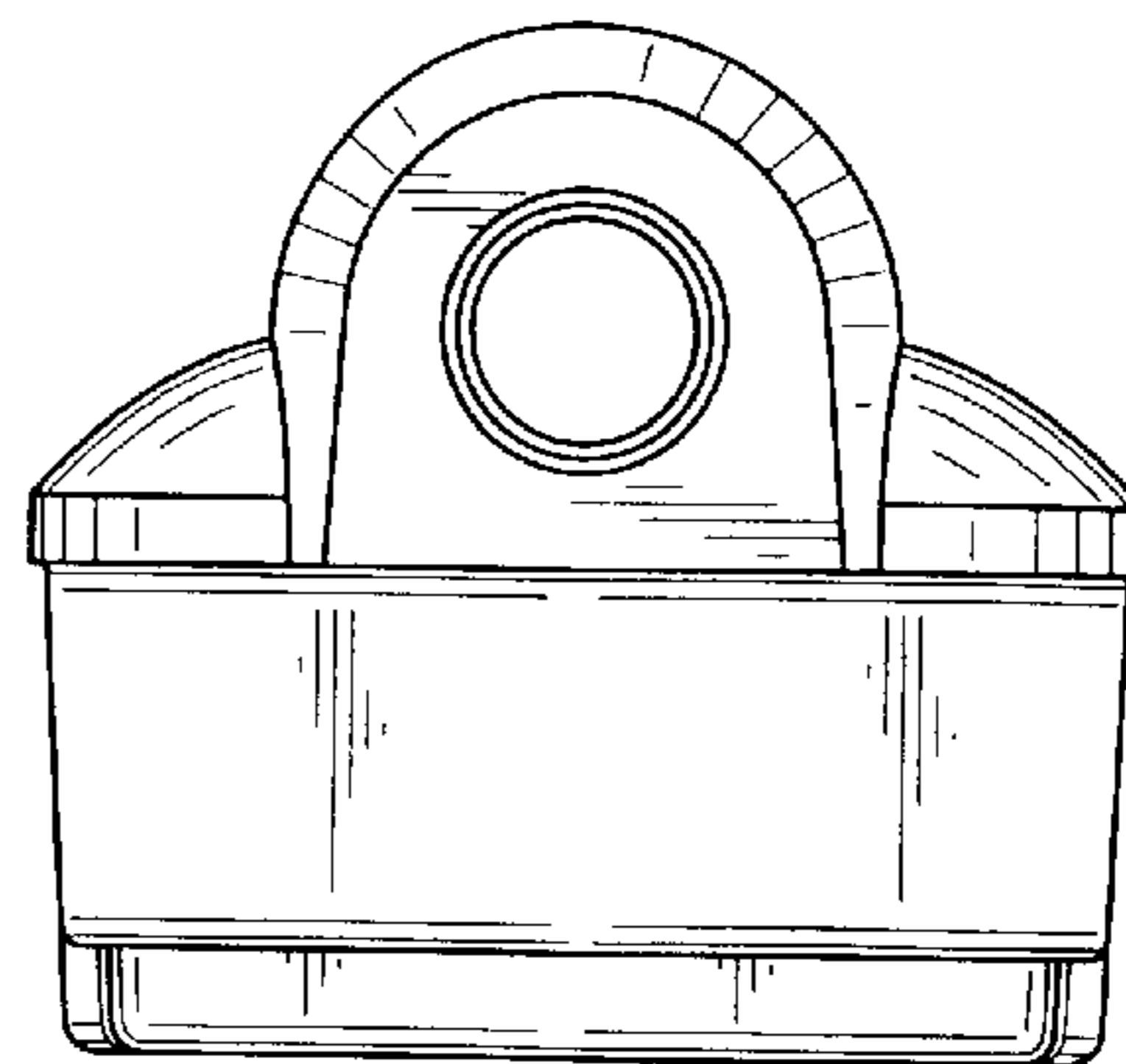


FIG. 5

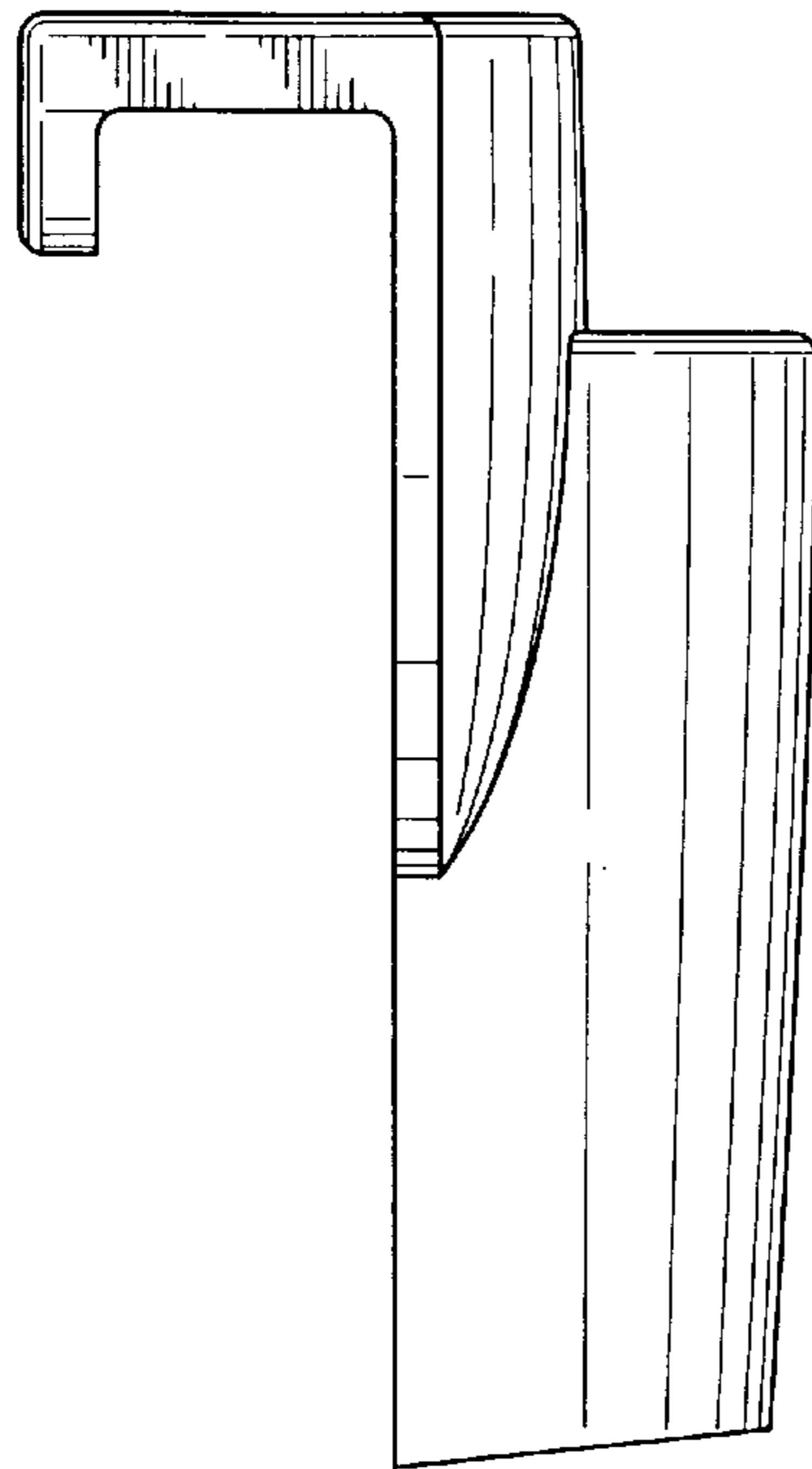


FIG. 6

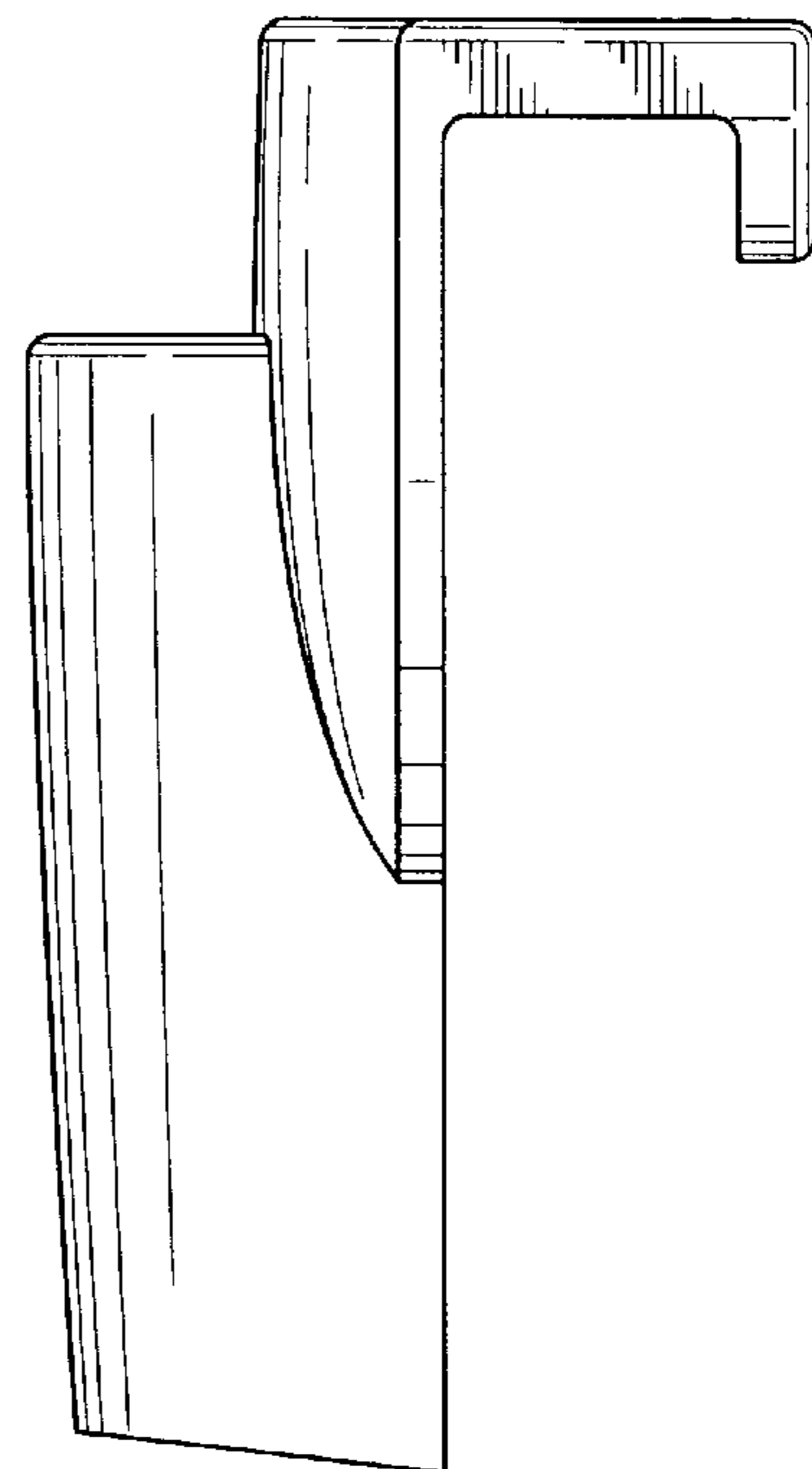


FIG. 7

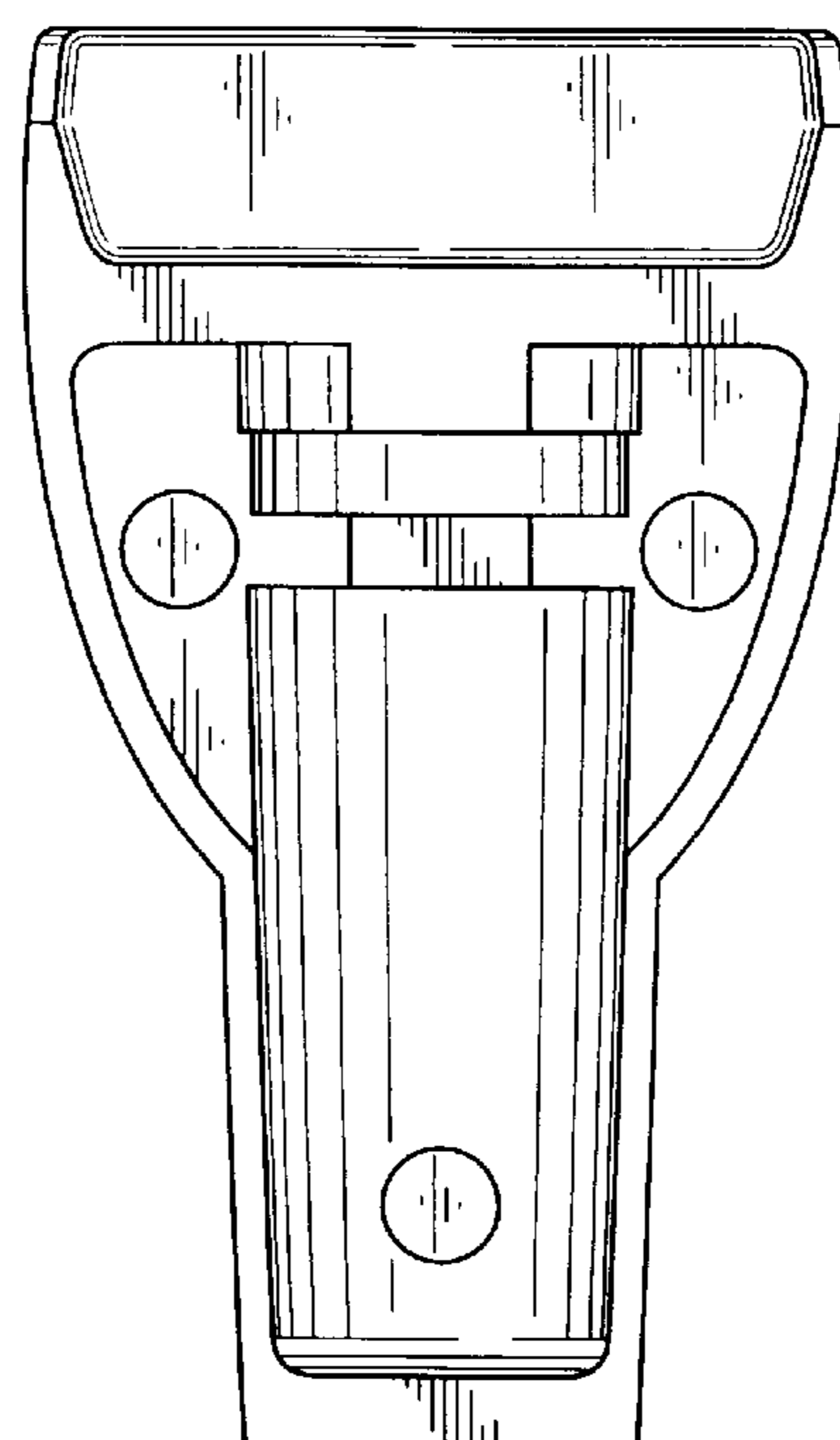


FIG. 8

