



US00D506916S

(12) **United States Design Patent** (10) **Patent No.:** **US D506,916 S**  
**Sale, Jr.** (45) **Date of Patent:** **\*\* Jul. 5, 2005**

(54) **MULTI-STEP OVAL ROSETTE/OVAL DOOR KNOB**

(75) **Inventor:** **Kenneth Martin Sale, Jr.**, South San Francisco, CA (US)

(73) **Assignee:** **Sale Builders Hardware, Ltd.**, South San Francisco, CA (US)

(\*) **Notice:** This patent is subject to a terminal disclaimer.

(\*\*) **Term:** **14 Years**

(21) **Appl. No.:** **29/186,741**

(22) **Filed:** **Jul. 23, 2003**

(51) **LOC (8) Cl.** ..... **08-06**

(52) **U.S. Cl.** ..... **D8/310; D8/301**

(58) **Field of Search** ..... D8/301, 302, 307, D8/310, 352, 353; D6/524, 549, 550; D23/254; D26/138; 16/412, 402, 414, 442, 441; 292/347, 357, 336.3

(56) **References Cited**

**U.S. PATENT DOCUMENTS**

885,687	A	*	4/1908	Chenoweth	.....	16/414
D361,030	S	*	8/1995	Bessette et al.	.....	D8/307
D405,216	S	*	2/1999	Porter et al.	.....	D26/138
D405,995	S	*	2/1999	Harris	.....	D6/524
D427,291	S	*	6/2000	Milrud et al.	.....	D23/254
D453,897	S	*	2/2002	LaPlume et al.	.....	D8/301

**OTHER PUBLICATIONS**

Page 2 of Better Home Products catalog featuring Embarcadero Collection (7800 Series). <[http://www.betterhomeproducts.com/Web\\_Page\\_Project/catalogpg2-p.html](http://www.betterhomeproducts.com/Web_Page_Project/catalogpg2-p.html)>.

Page 3 of Better Home Products catalog featuring "Embarcadero III Collection" (9800 Series—Chrome & Brass Combination). <[http://www.betterhomeproducts.com/Web\\_Page\\_Project/catalogpg3-p.html](http://www.betterhomeproducts.com/Web_Page_Project/catalogpg3-p.html)>.

U.S. Appl. No. 29/186,731, filed Jul. 23, 2003.

U.S. Appl. No. 29/186,740, filed Jul. 23, 2003.

U.S. Appl. No. 29/186,726, filed Jul. 23, 2003.

U.S. Appl. No. 29/186,728, filed Jul. 23, 2003.

U.S. Appl. No. 29/186,727, filed Jul. 23, 2003.

U.S. Appl. No. 29/186,729, filed Jul. 23, 2003.

\* cited by examiner

*Primary Examiner*—Paula A. Greene

(74) *Attorney, Agent, or Firm*—Fitzpatrick, Cella, Harper & Scinto

(57) **CLAIM**

The ornamental design for a multi-step oval rosette/oval door knob, as shown and described.

**DESCRIPTION**

FIG. 1 is a perspective view of a multi-step oval rosette/oval door knob showing my new design;

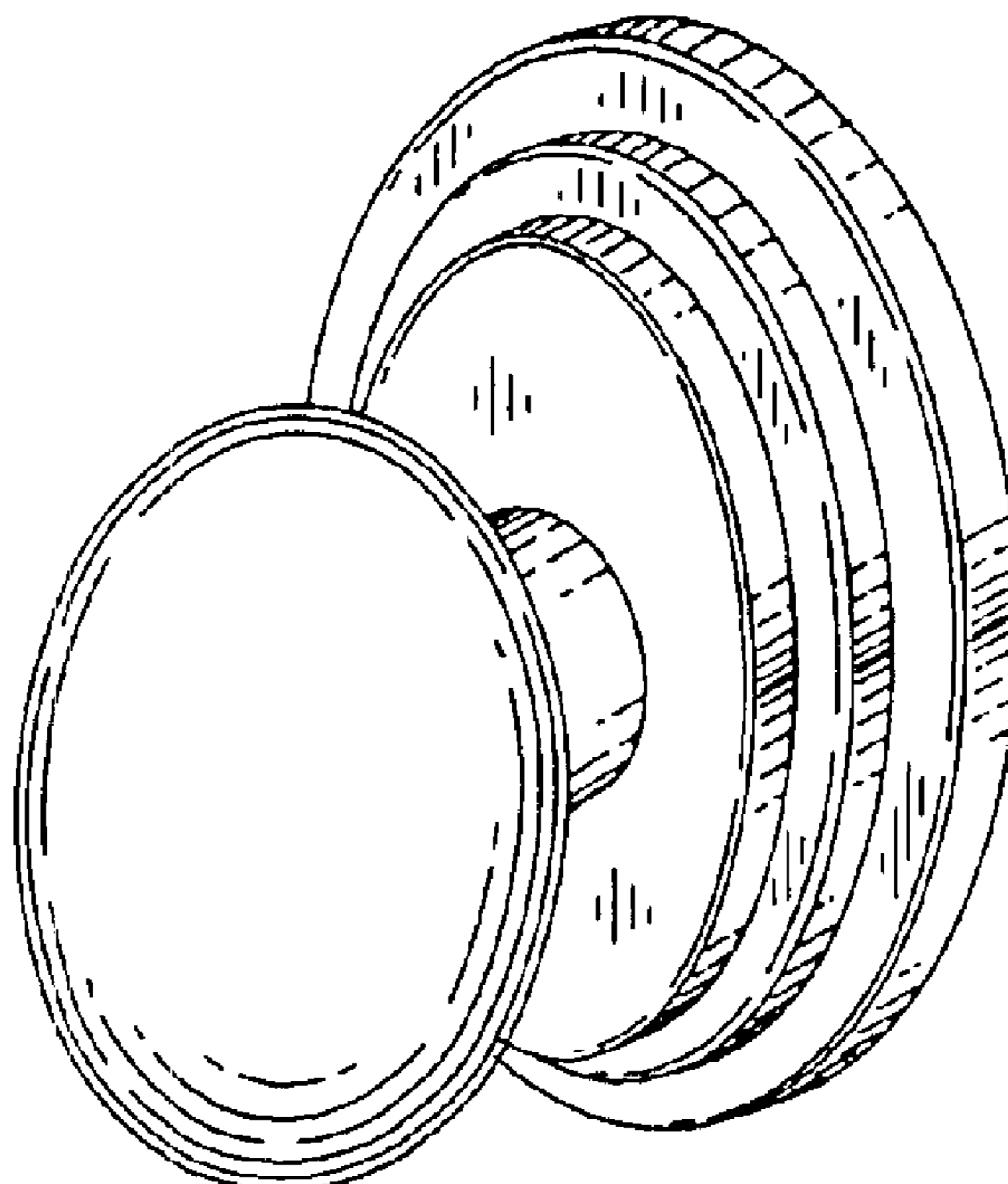
FIG. 2 is a front view thereof;

FIG. 3 is a side view thereof;

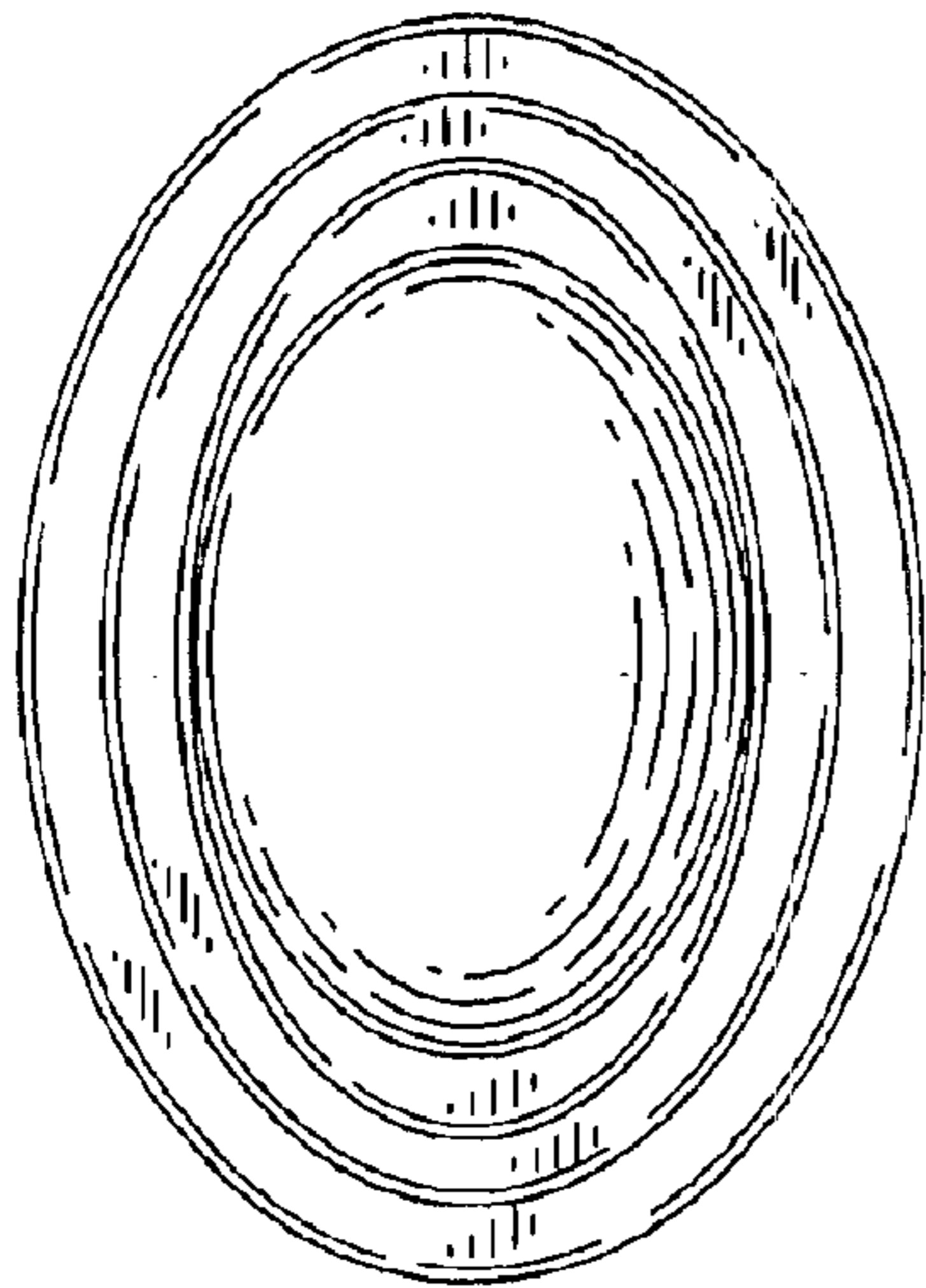
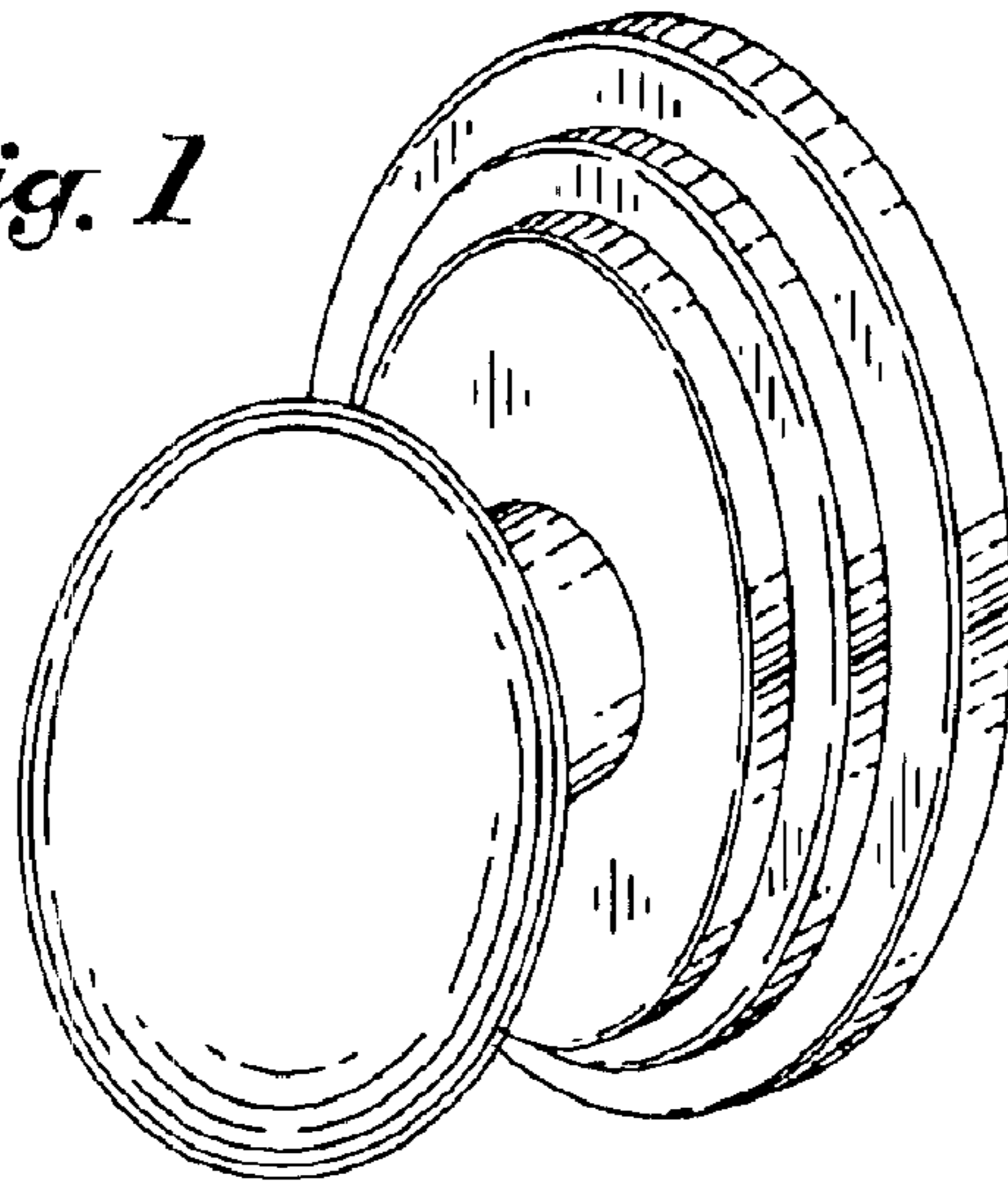
FIG. 4 is a bottom view thereof; and,

FIG. 5 is a backside view thereof.

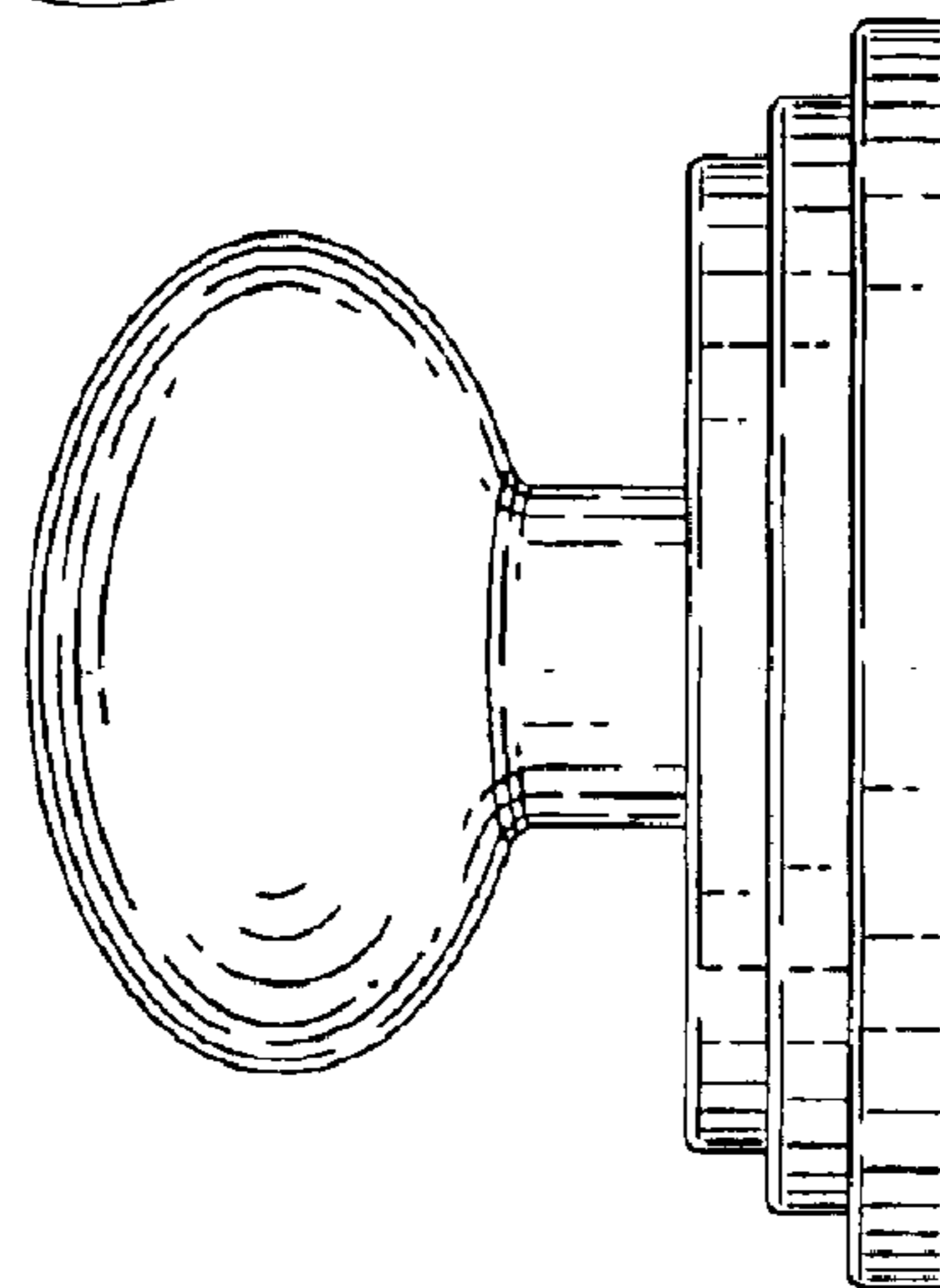
**1 Claim, 1 Drawing Sheet**



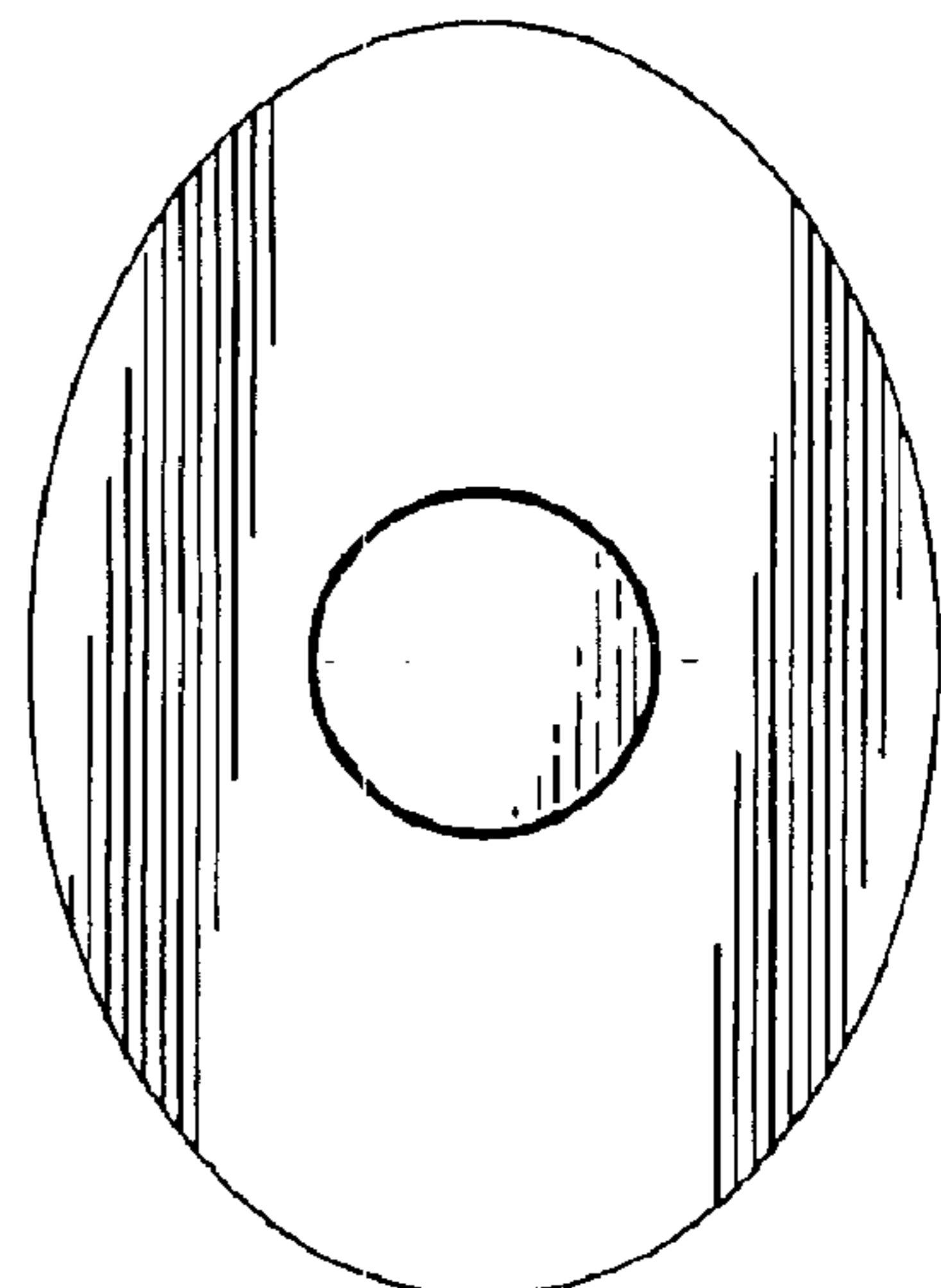
*Fig. 1*



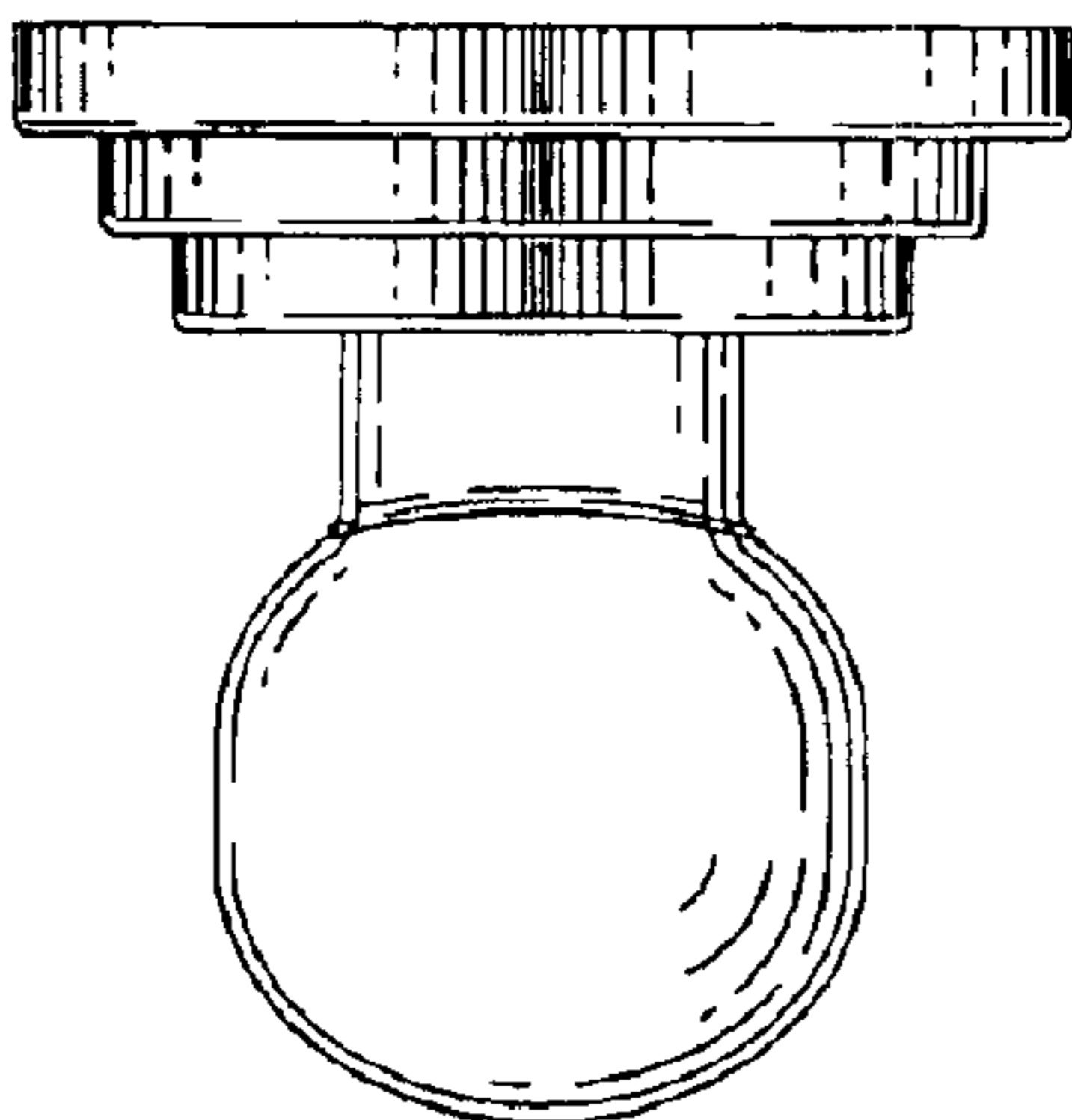
*Fig. 2*



*Fig. 3*



*Fig. 5*



*Fig. 4*