

US00D506914S

(12) **United States Design Patent**
Okuda

(10) **Patent No.:** **US D506,914 S**
(45) **Date of Patent:** **** Jul. 5, 2005**

- (54) **PORTABLE ELECTRIC DRILL**
- (75) Inventor: **Shinsuke Okuda, Anjo (JP)**
- (73) Assignee: **Makita Corporation, Aichi-ken (JP)**
- (**) Term: **14 Years**
- (21) Appl. No.: **29/214,113**
- (22) Filed: **Sep. 29, 2004**
- (30) **Foreign Application Priority Data**
 - Apr. 2, 2004 (JP) 2004-013336
 - Apr. 2, 2004 (JP) 2004-013345
 - Apr. 2, 2004 (JP) 2004-013346

- D494,034 S * 8/2004 Cheung D8/68
- D496,843 S * 10/2004 Sugawara et al. D8/68
- 6,840,335 B1 * 1/2005 Wu 310/50

* cited by examiner

Primary Examiner—Gary D. Watson
Assistant Examiner—T. Chase Nelson
(74) *Attorney, Agent, or Firm*—Dennison, Schultz,
Dougherty & MacDonald

(57) **CLAIM**

The ornamental design for a portable electric drill, as shown and described.

DESCRIPTION

- (51) **LOC (8) Cl.** **08-01**
- (52) **U.S. Cl.** **D8/68**
- (58) **Field of Search** D8/14.1, 61, 62,
D8/63, 64, 65, 66, 67, 68, 69, 70; 81/57.11,
429, 464, 465, 466, 469, 489; 173/13, 169,
178, 213, 217; 227/8, 114, 120, 130, 136,
142; 310/50; 408/20, 124, 125, 234, 241 R;
451/358

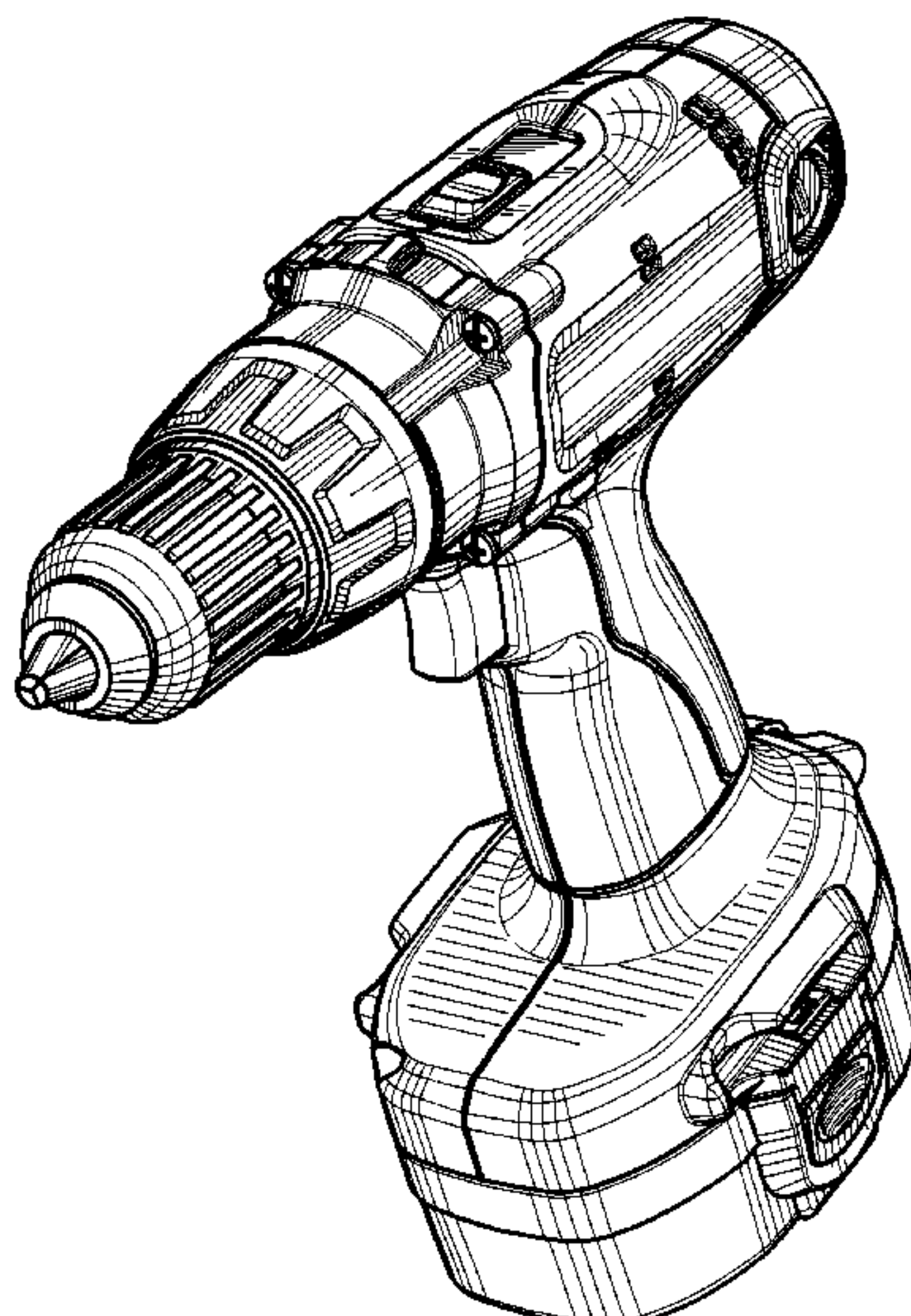
FIG. 1 is a perspective view of a portable electric drill showing my new design.
 FIG. 2 is a front elevation view thereof;
 FIG. 3 is a rear elevation view thereof;
 FIG. 4 is a left side elevation view thereof;
 FIG. 5 is a right side elevation view thereof;
 FIG. 6 is a top plan view thereof; and
 FIG. 7 is a bottom view thereof;
 FIG. 8 is a perspective view of a second embodiment of the portable electric drill shown in FIG. 1;
 FIG. 9 is a front elevation view thereof;
 FIG. 10 is a rear elevation view thereof;
 FIG. 11 is a left side elevation view thereof;
 FIG. 12 is a right side elevation view thereof;
 FIG. 13 is a top plan view thereof; and
 FIG. 14 is a bottom view thereof.
 FIG. 15 is a perspective view of a third embodiment of the portable electric drill shown in FIG. 1;
 FIG. 16 is a front elevation view thereof;
 FIG. 17 is a rear elevation view thereof;
 FIG. 18 is a left side elevation view thereof;
 FIG. 19 is a right side elevation view thereof;
 FIG. 20 is a top plan view thereof; and,
 FIG. 21 is a bottom view thereof.

(56) **References Cited**

U.S. PATENT DOCUMENTS

- D340,394 S * 10/1993 Okumura D8/68
- D359,215 S * 6/1995 Zurwelle D8/68
- D362,167 S * 9/1995 Zurwelle D8/68
- D377,442 S * 1/1997 Kikuchi D8/68
- D386,662 S 11/1997 Tozawa et al.
- D396,177 S * 7/1998 Schultz D8/68
- D419,413 S * 1/2000 Heun D8/68
- D420,877 S * 2/2000 Schultz D8/68
- D421,883 S * 3/2000 Watson et al. D8/68
- D436,511 S * 1/2001 Hayakawa et al. D8/68
- D460,674 S * 7/2002 Heun D8/68
- D462,248 S * 9/2002 Cooper D8/68
- D467,483 S * 12/2002 Heun D8/68
- 6,552,904 B2 * 4/2003 Fung 310/50
- D482,253 S * 11/2003 Cooper et al. D8/68

1 Claim, 15 Drawing Sheets



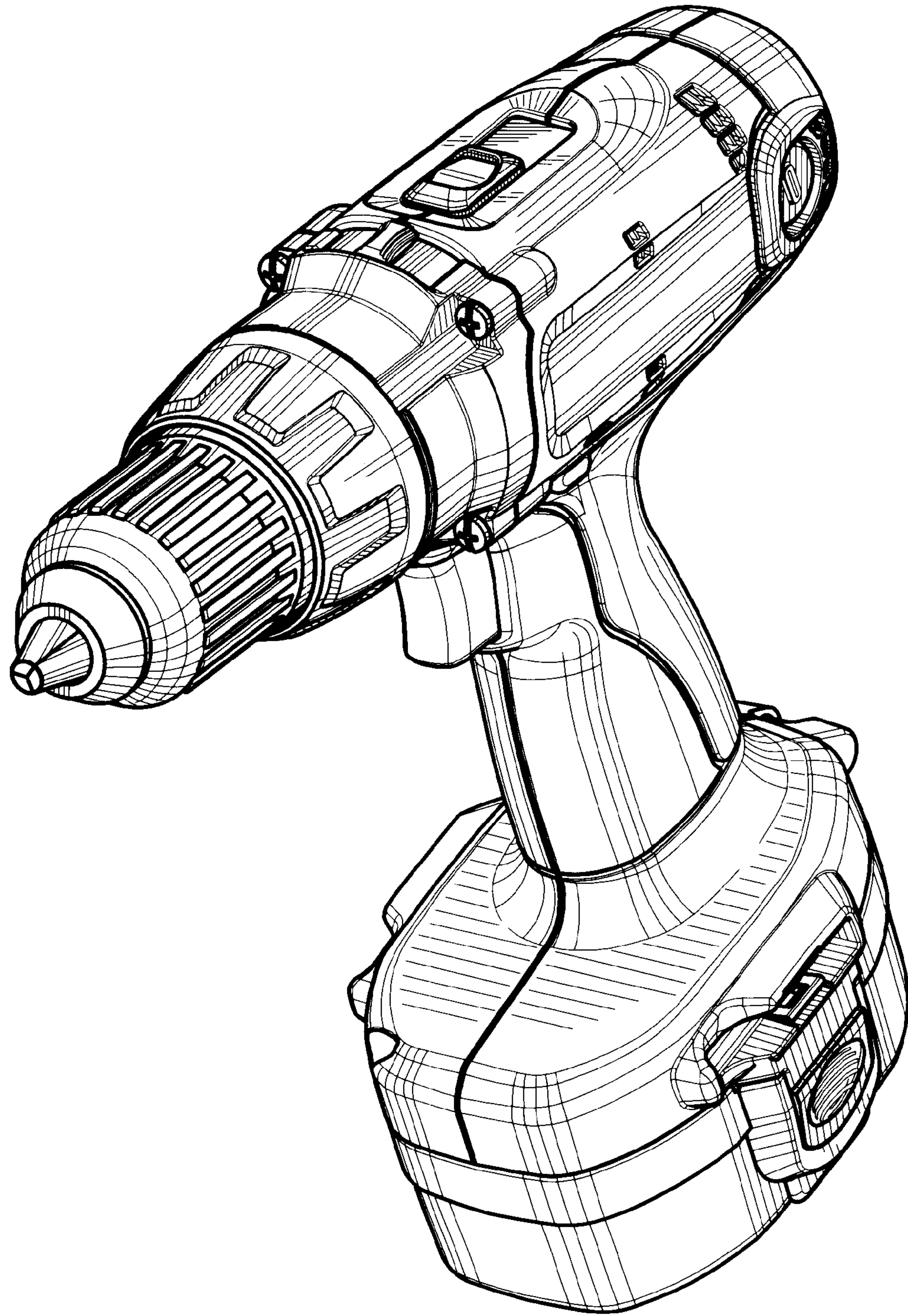


FIG. 1

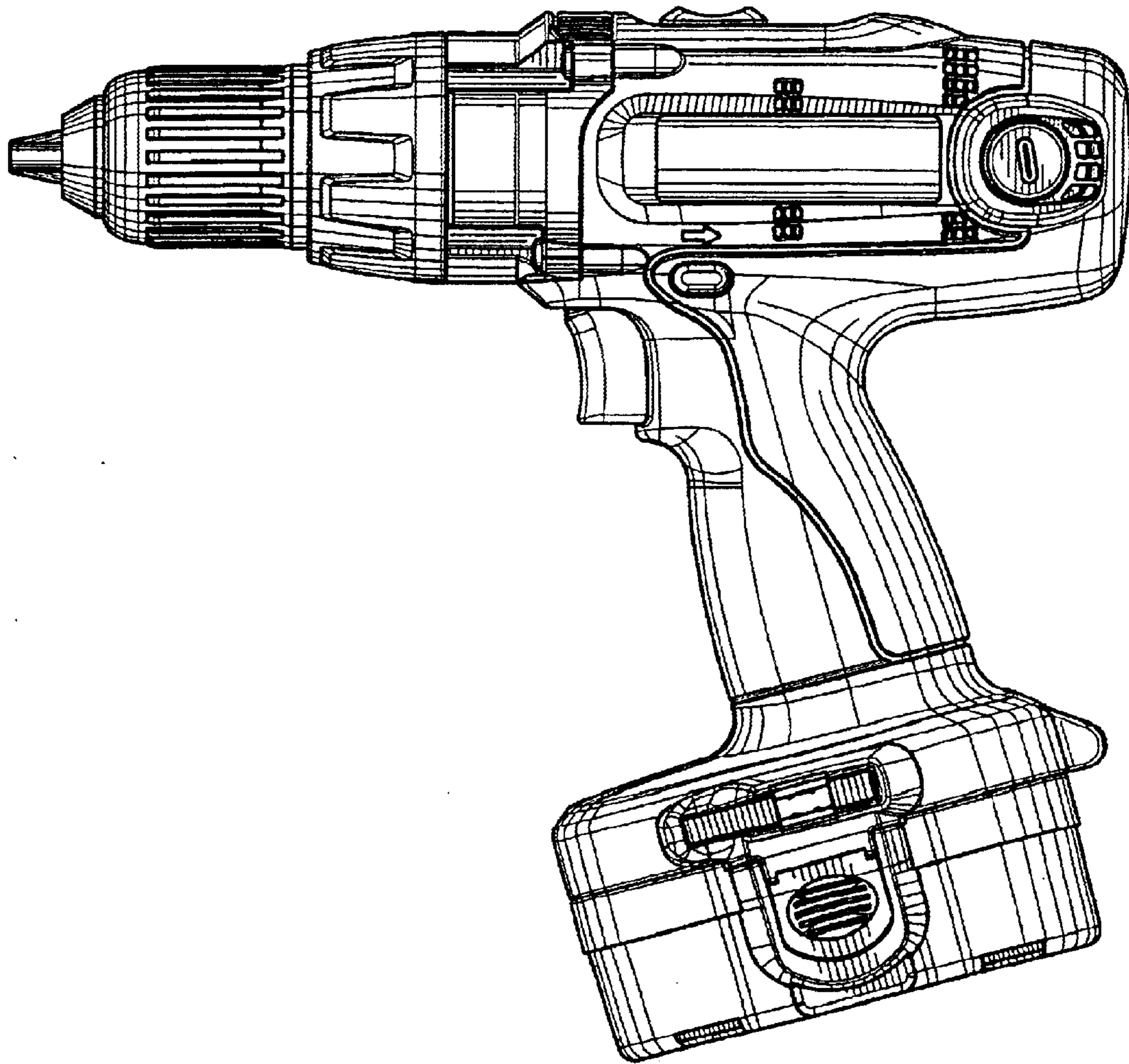


FIG. 2

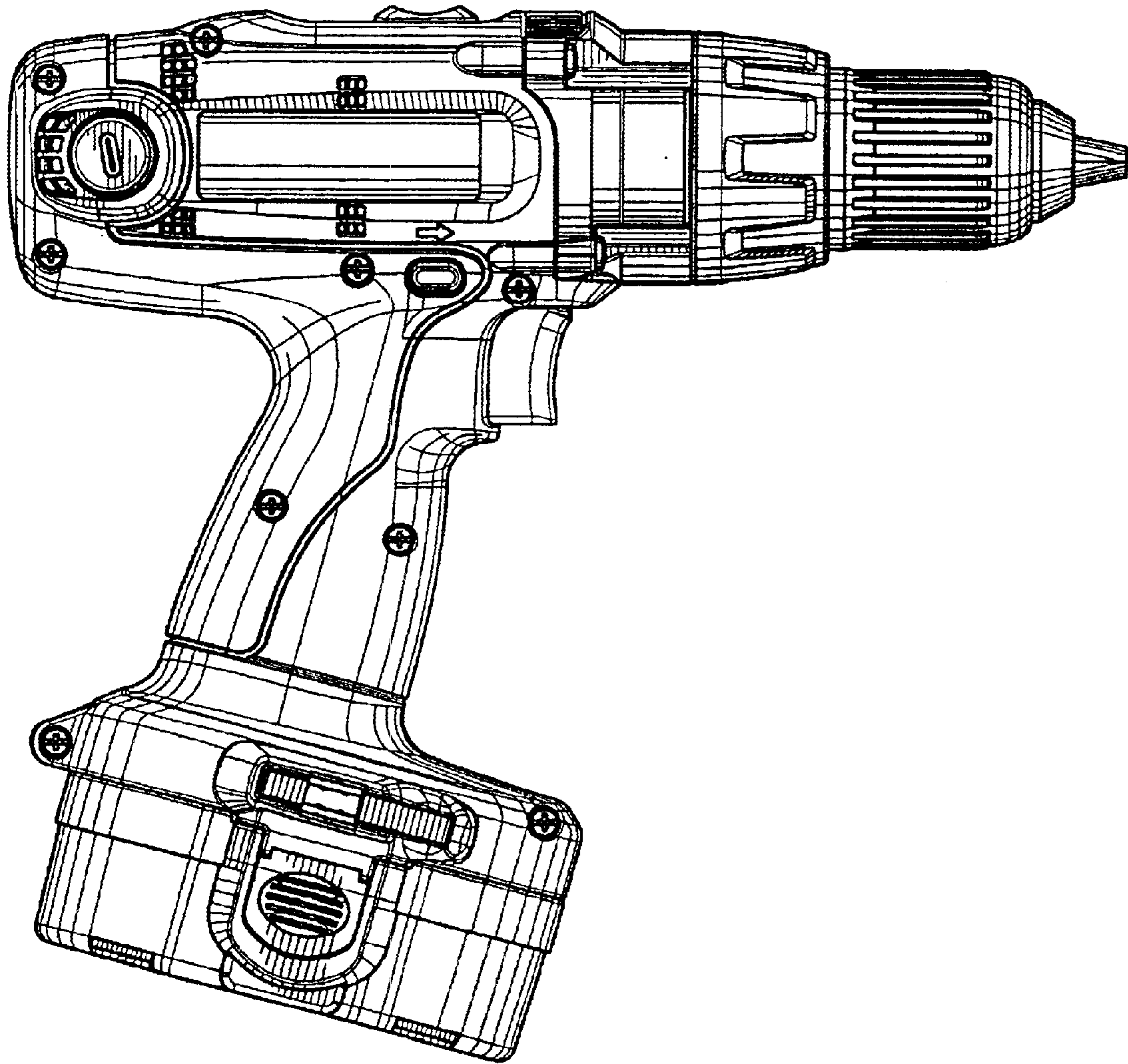


FIG. 3

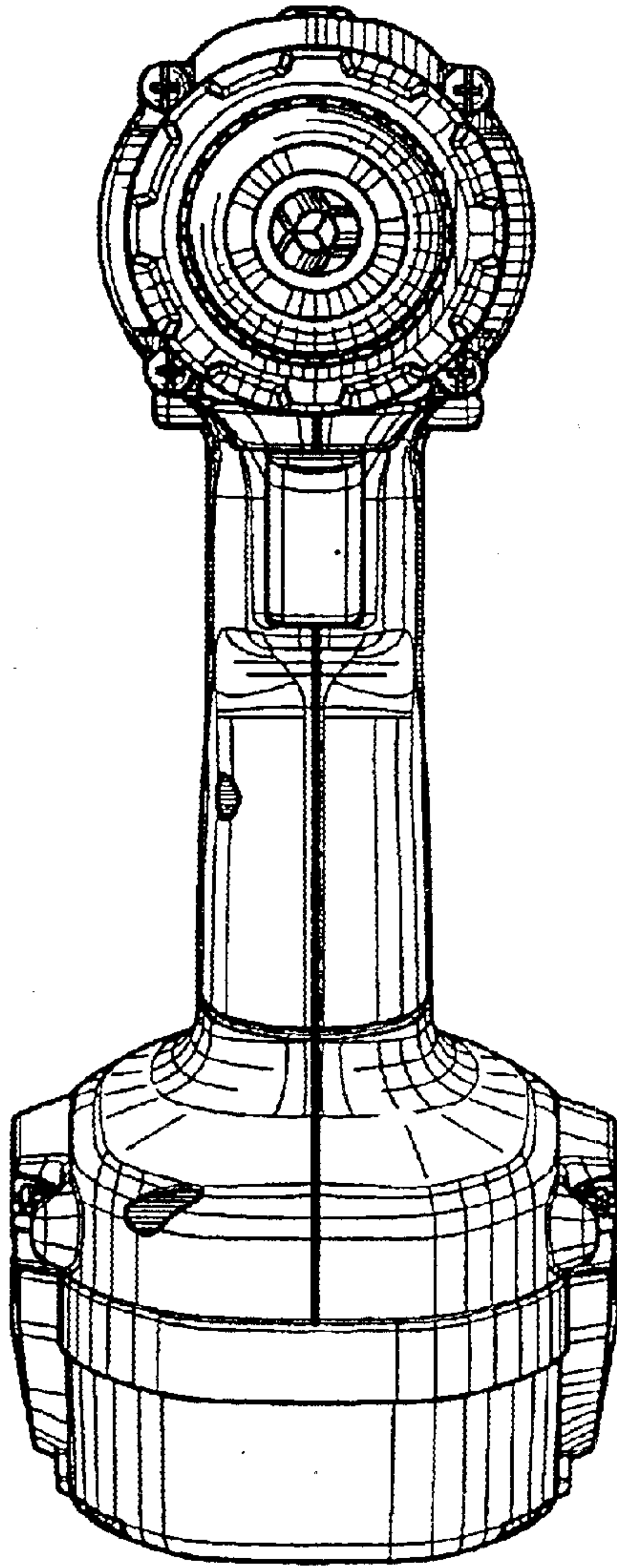


FIG. 4

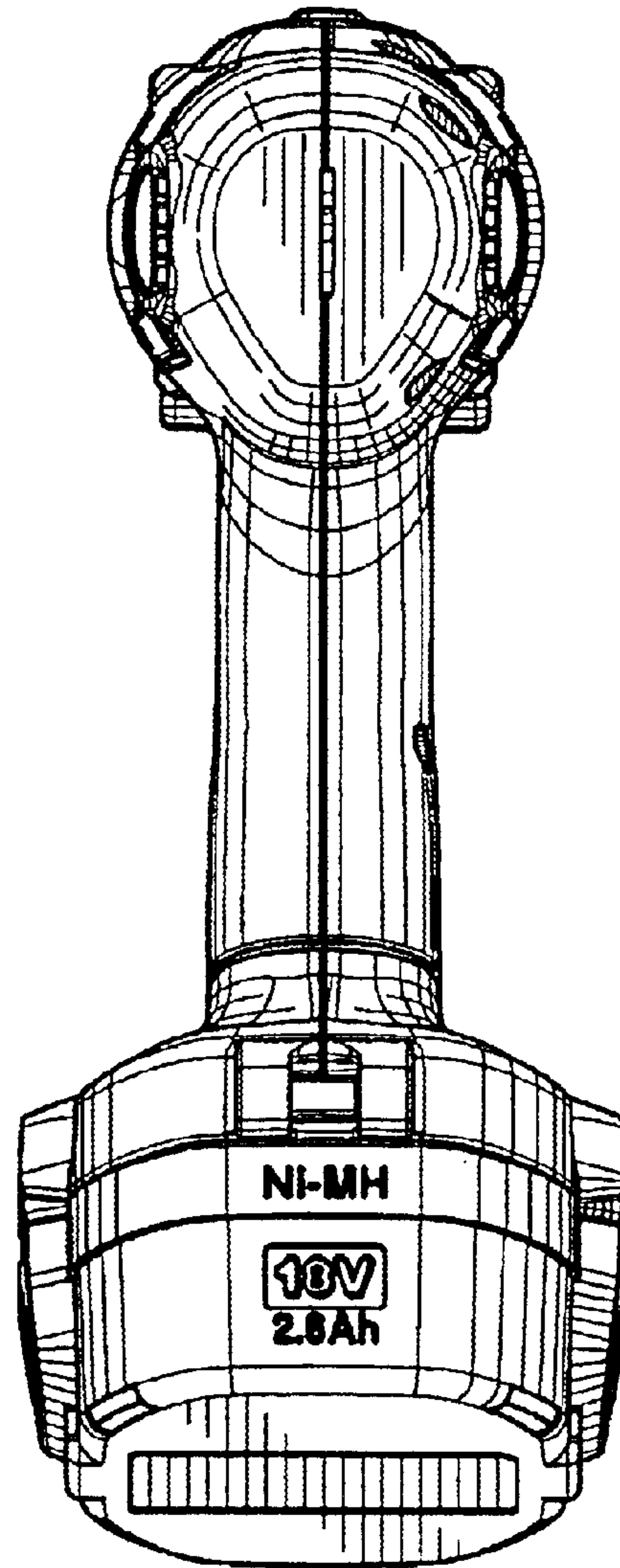


FIG. 5

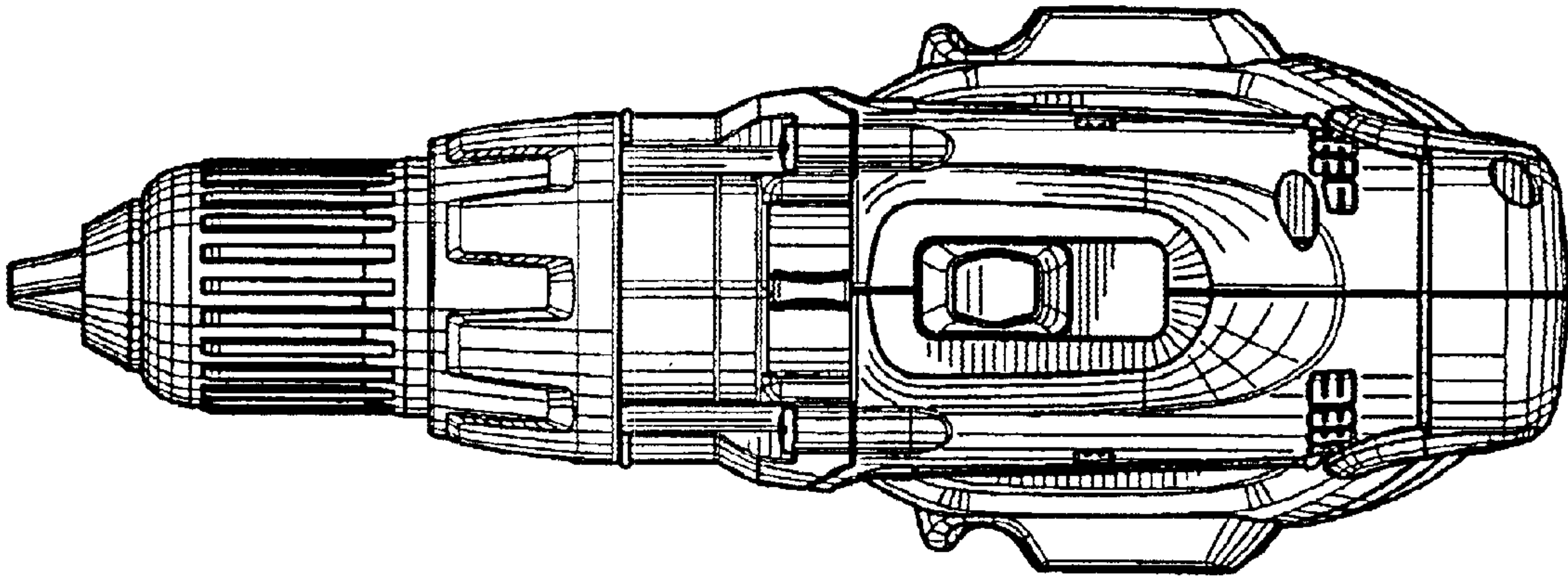


FIG. 6

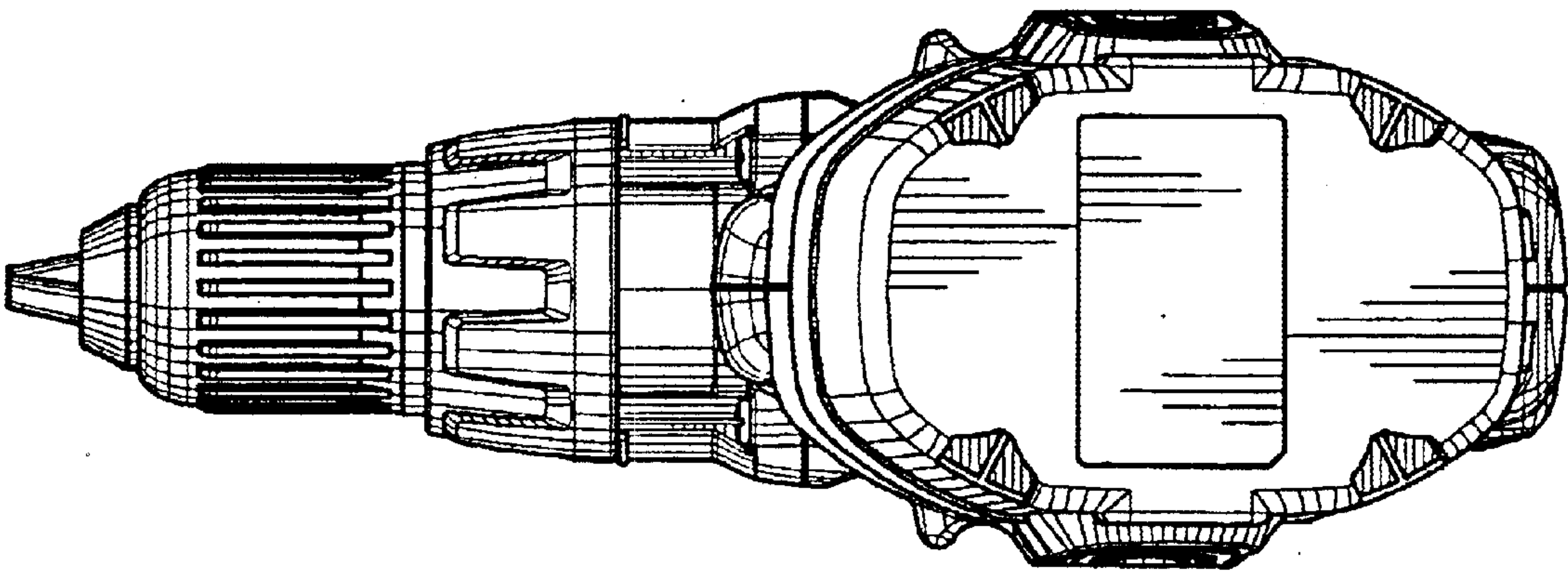


FIG. 7

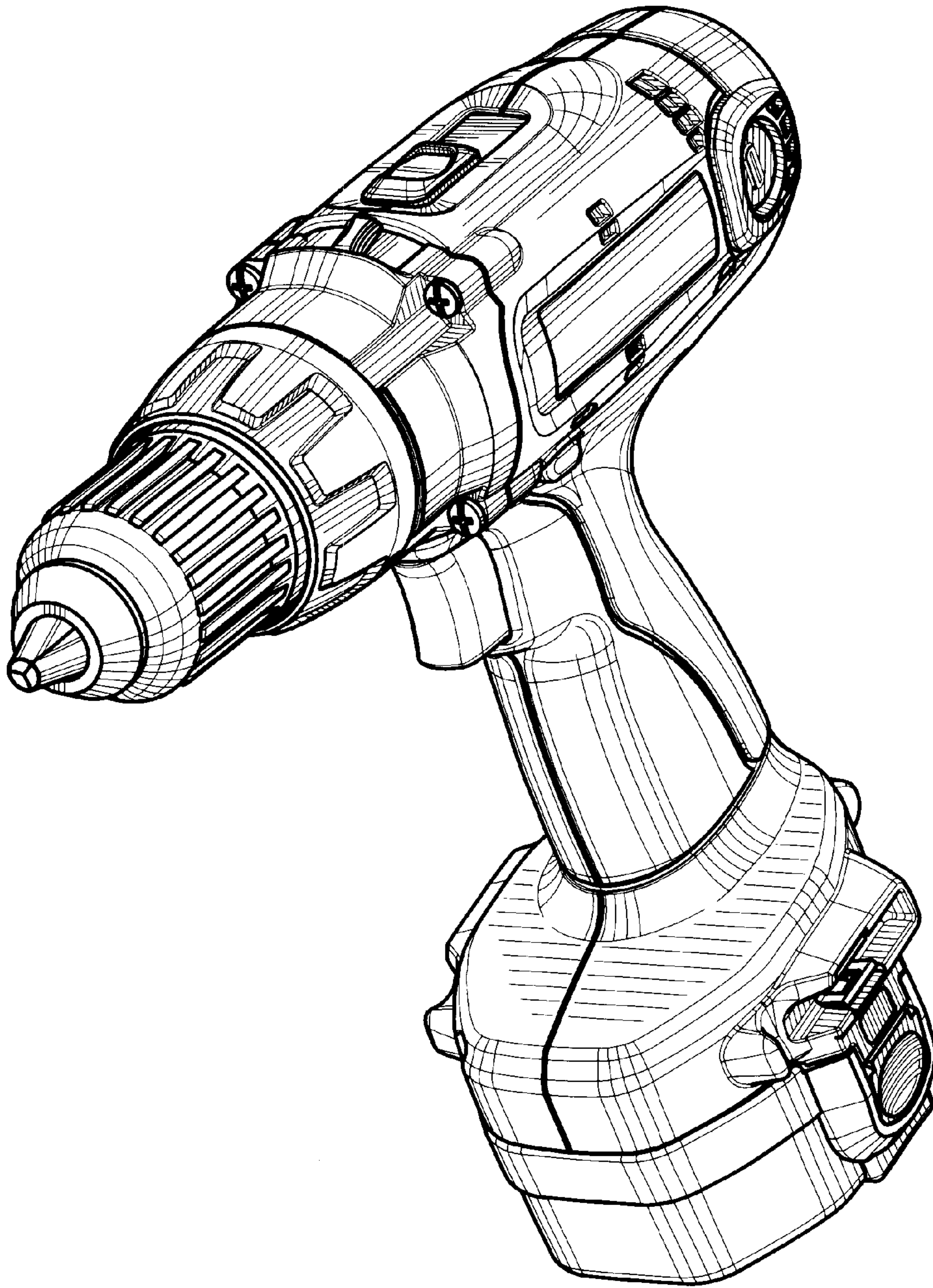


FIG. 8

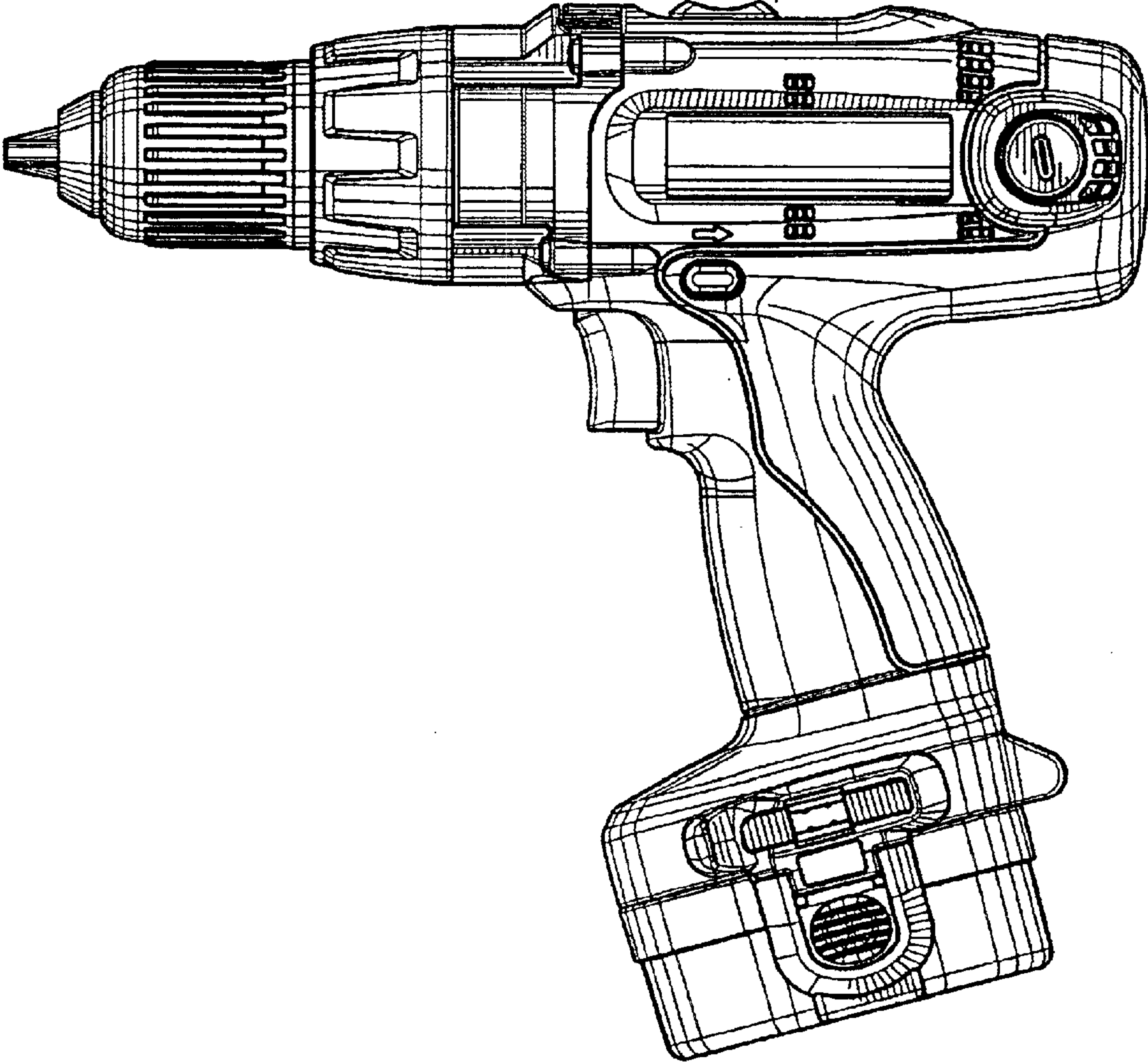


FIG. 9

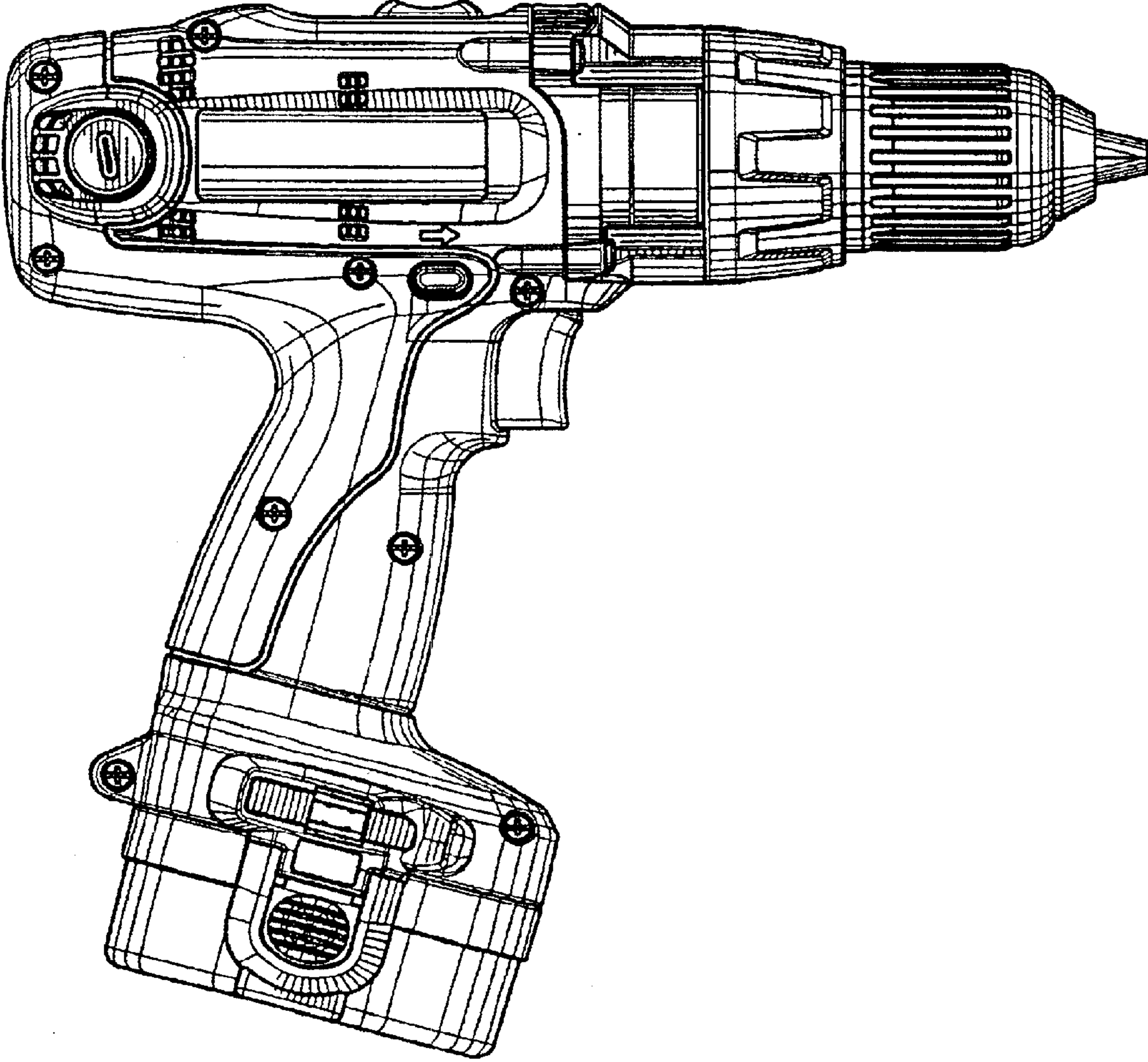


FIG. 10

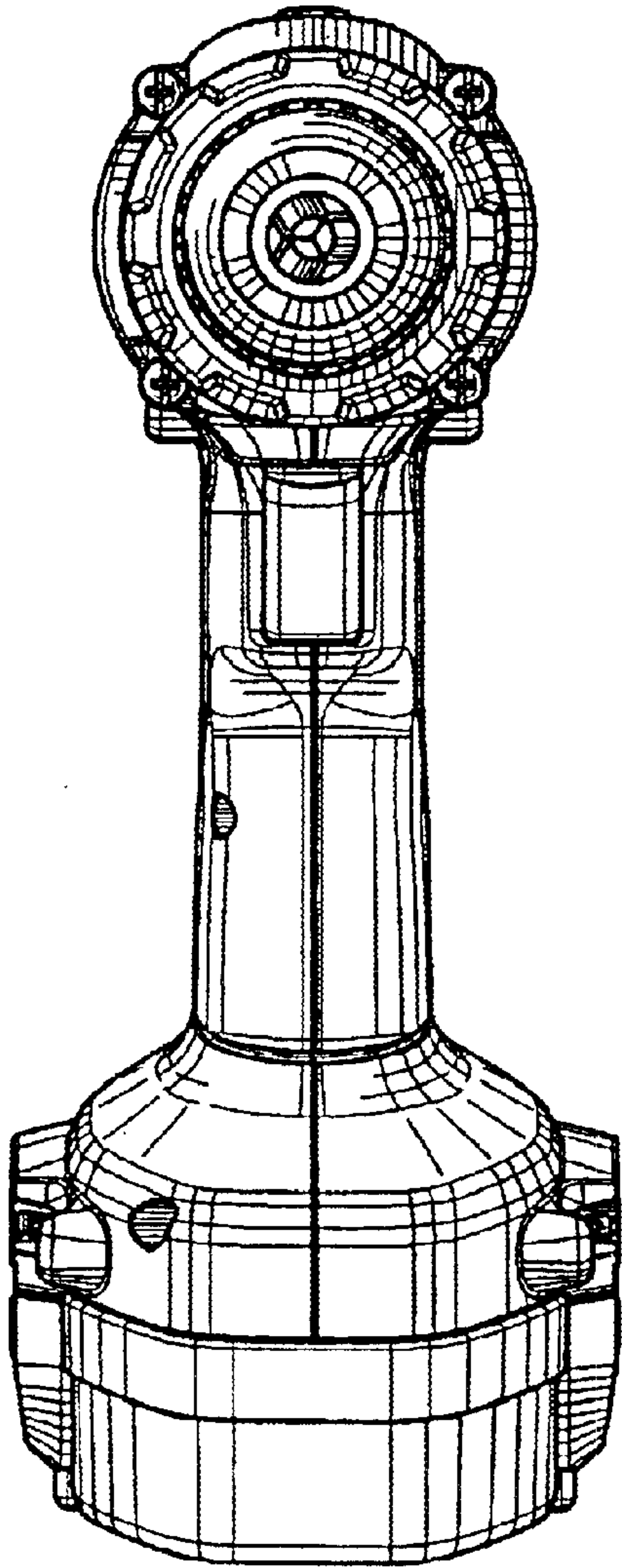


FIG. 11

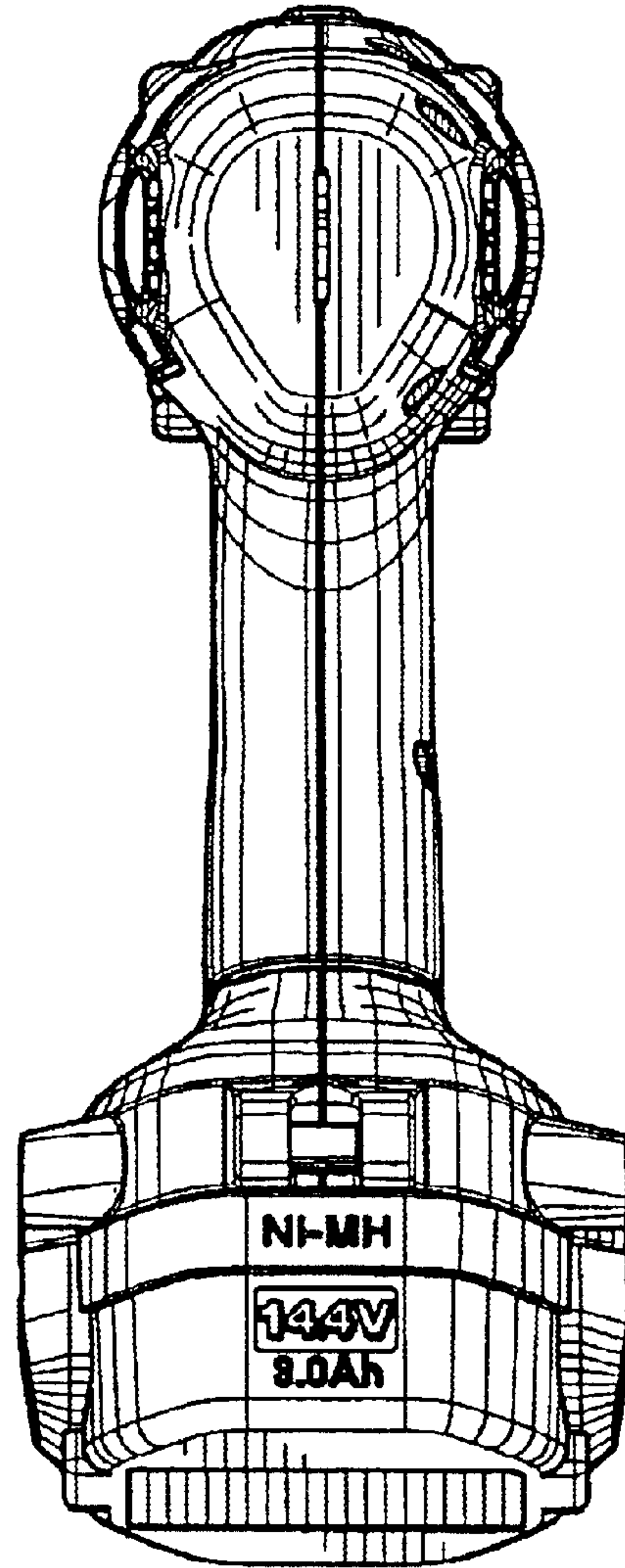


FIG. 12

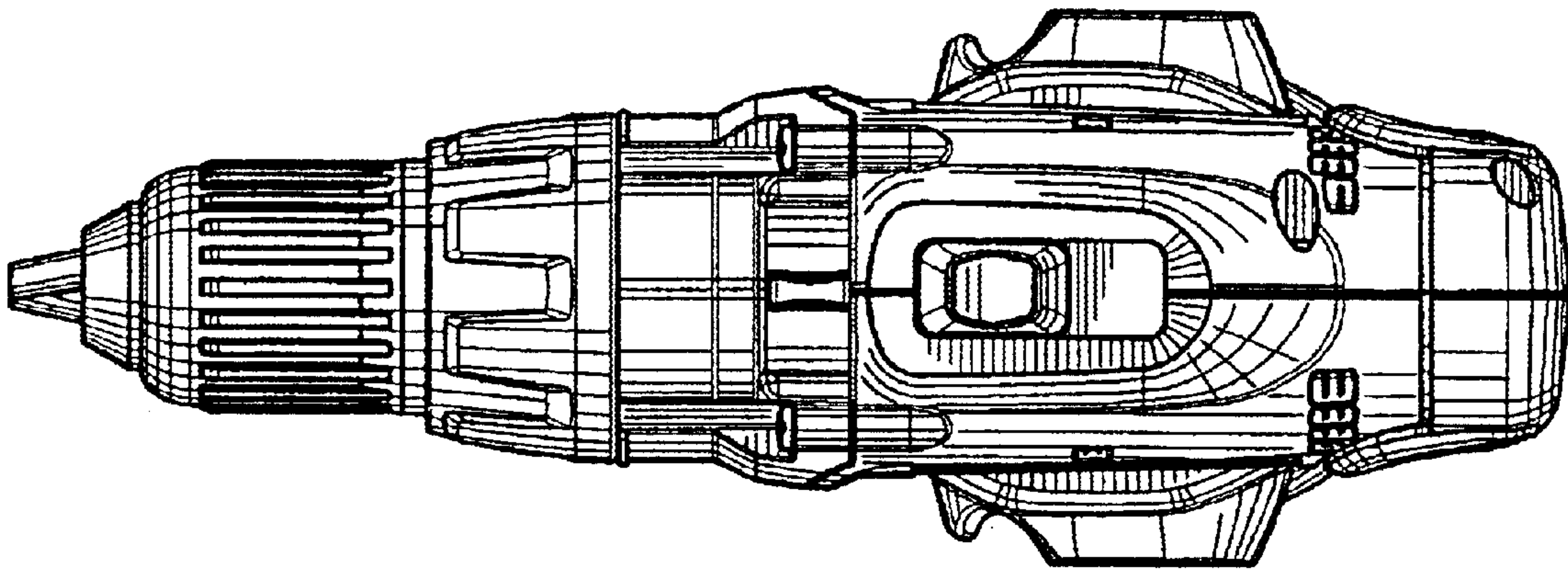


FIG. 13

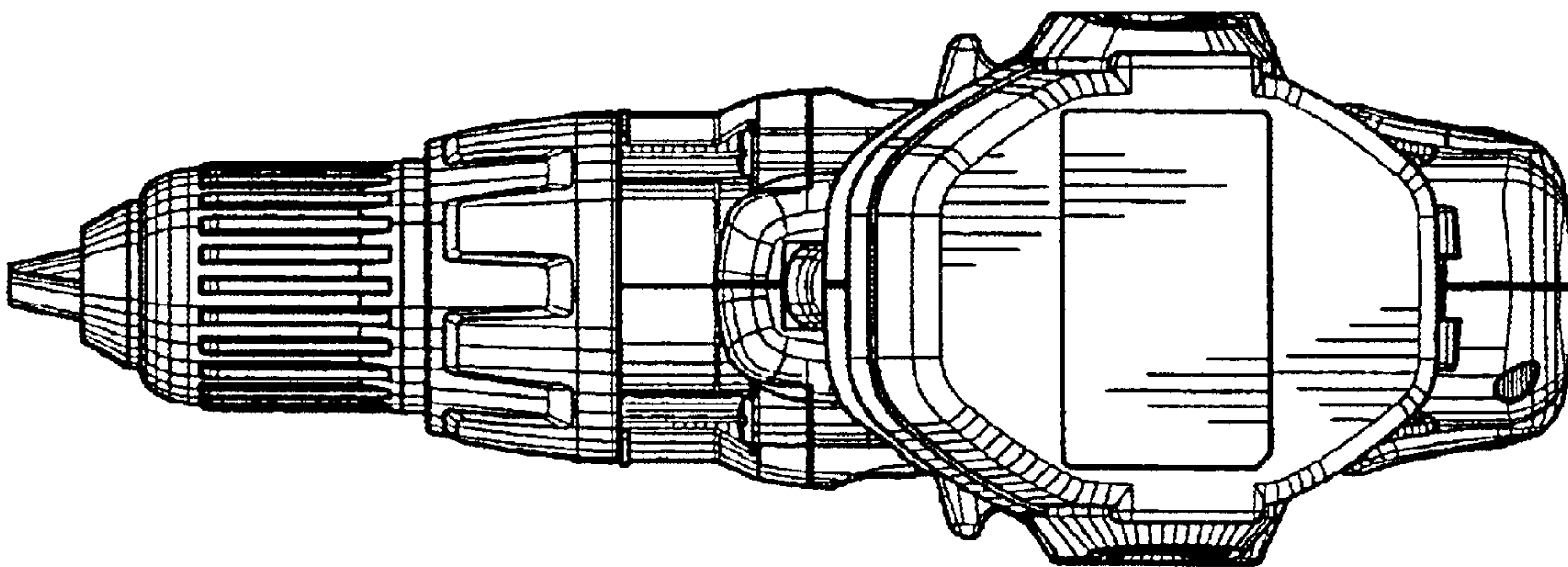


FIG. 14

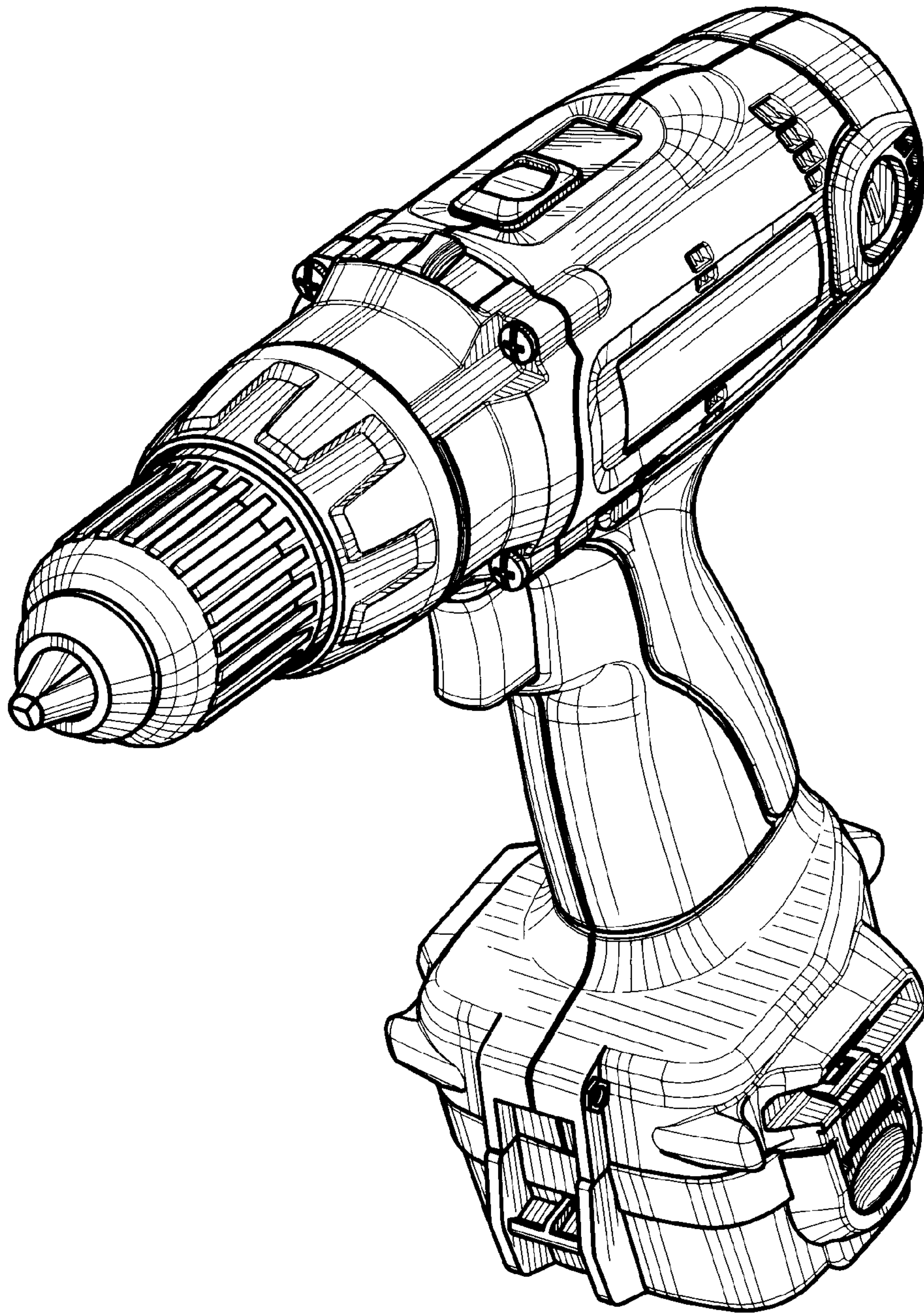


FIG. 15

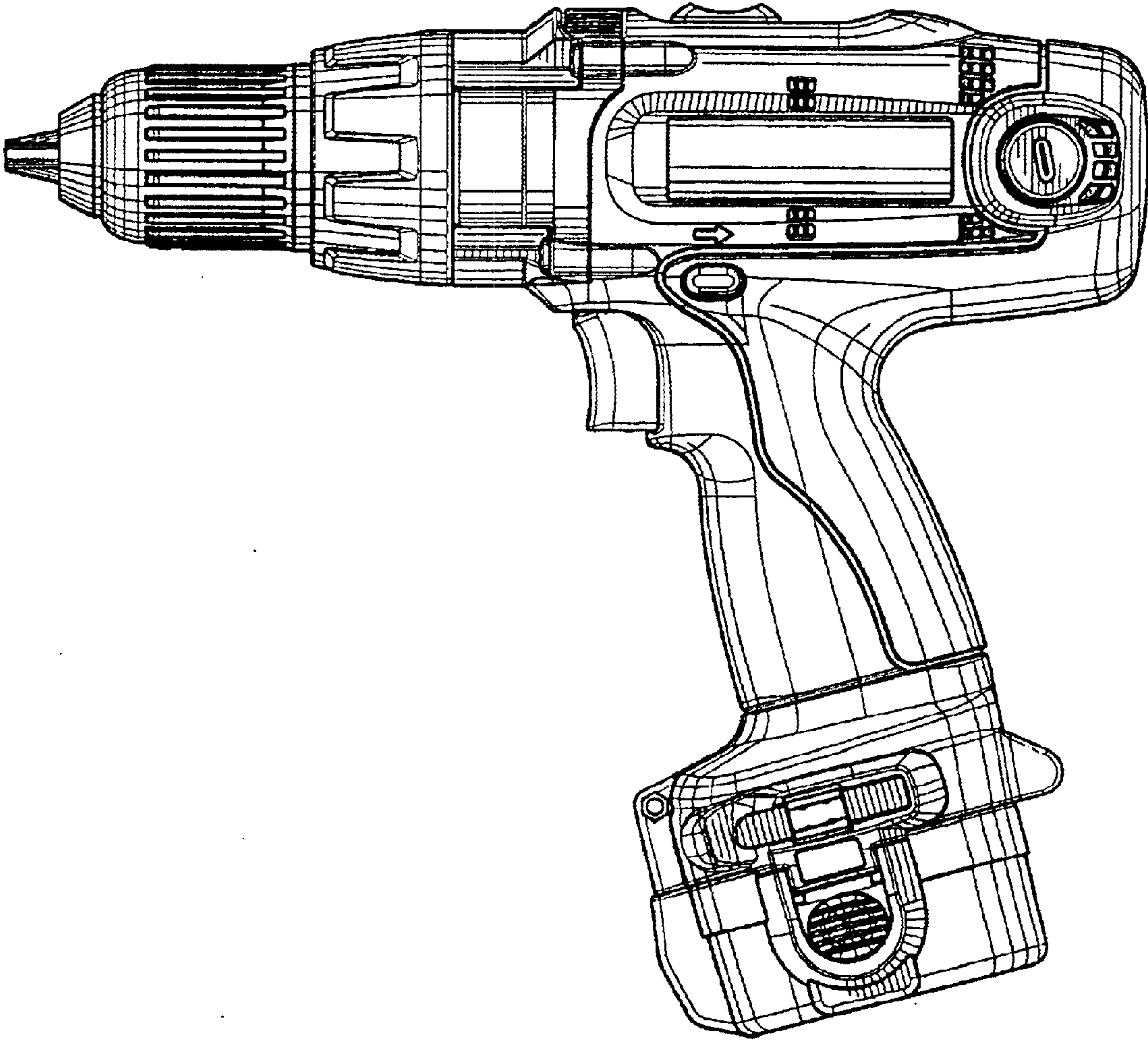


FIG. 16

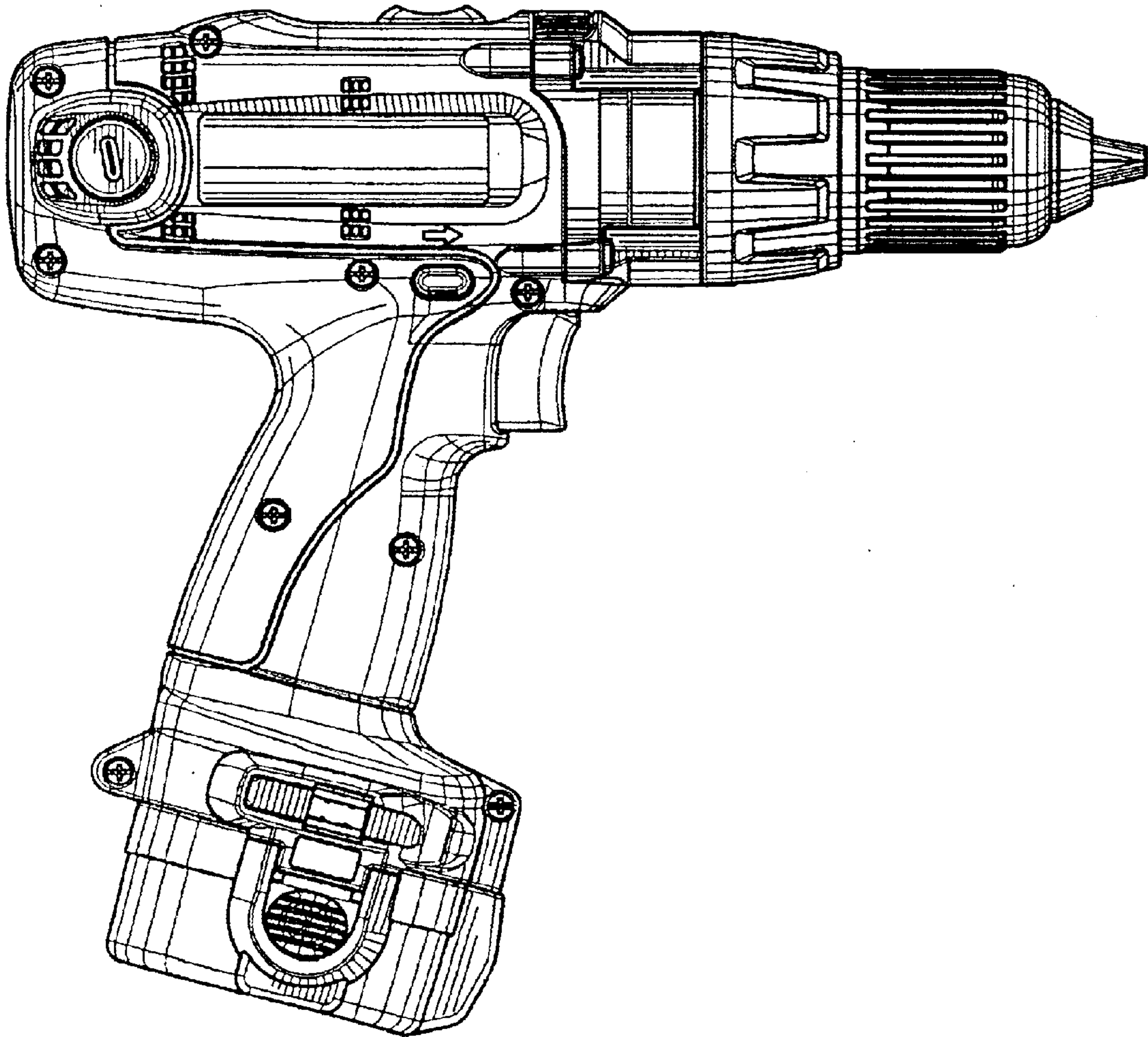


FIG. 17

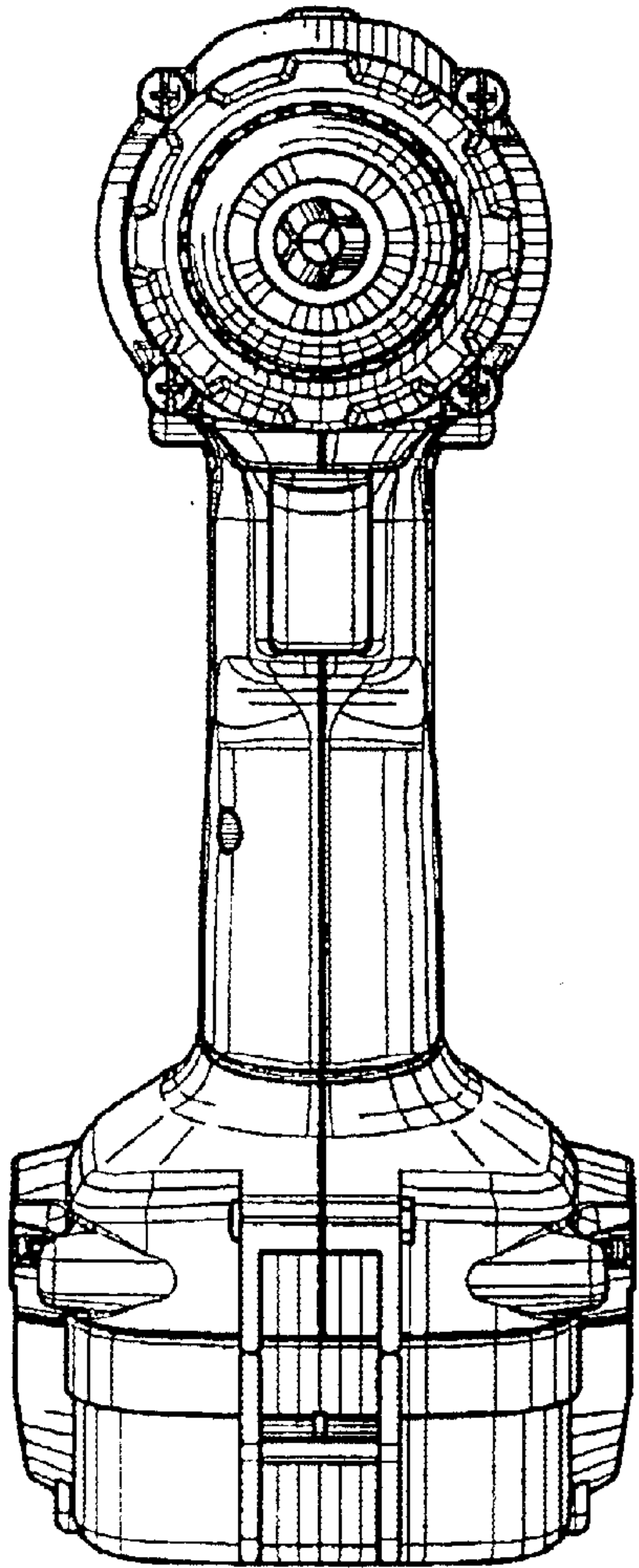


FIG. 18

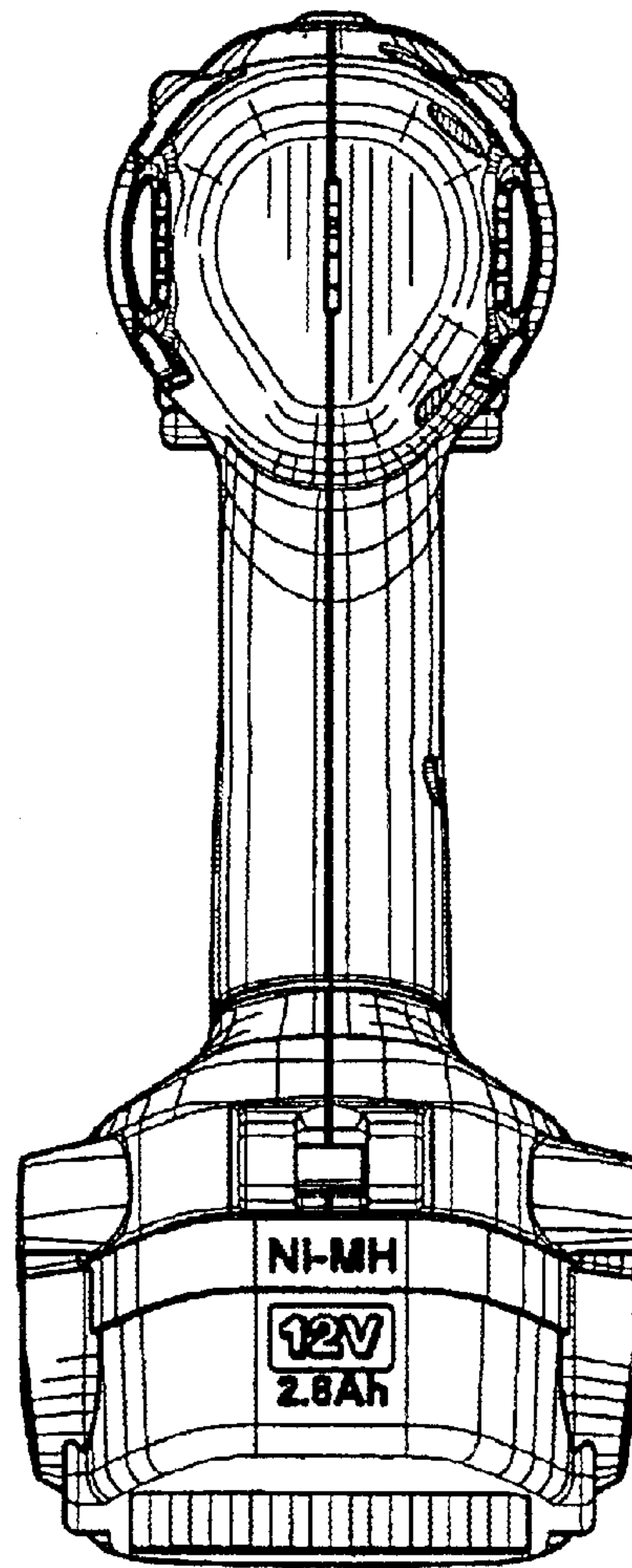


FIG. 19

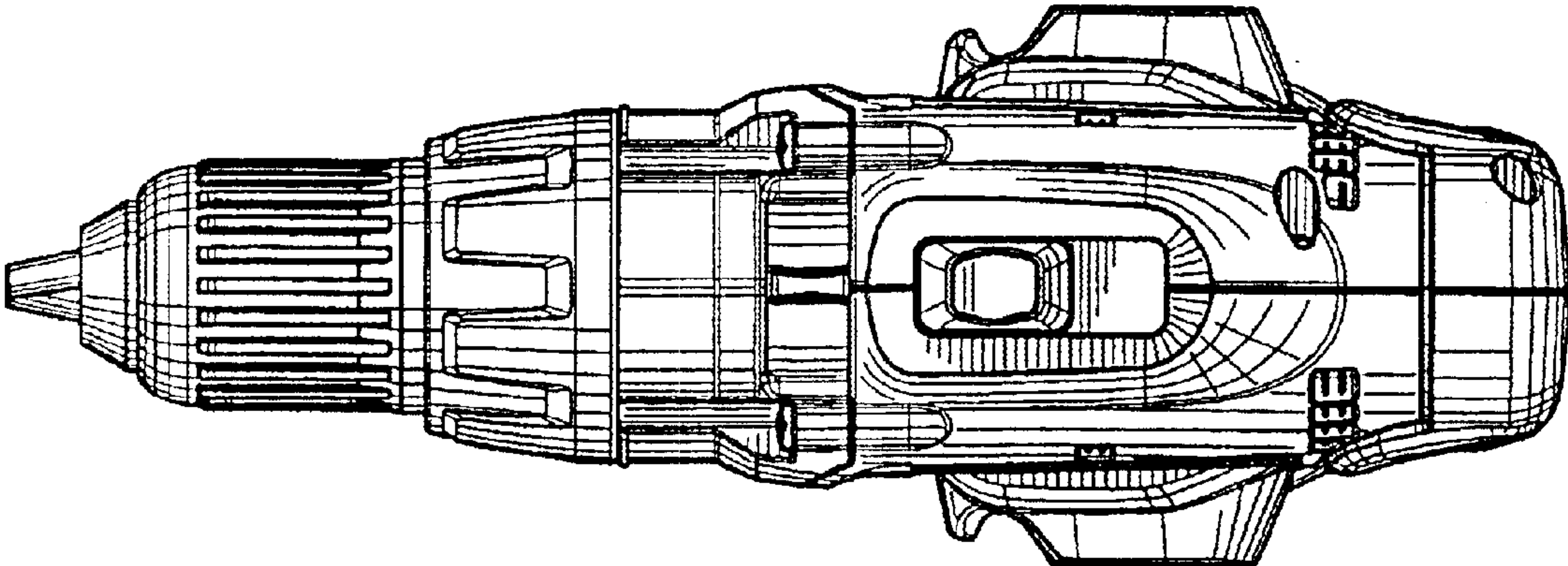


FIG. 20

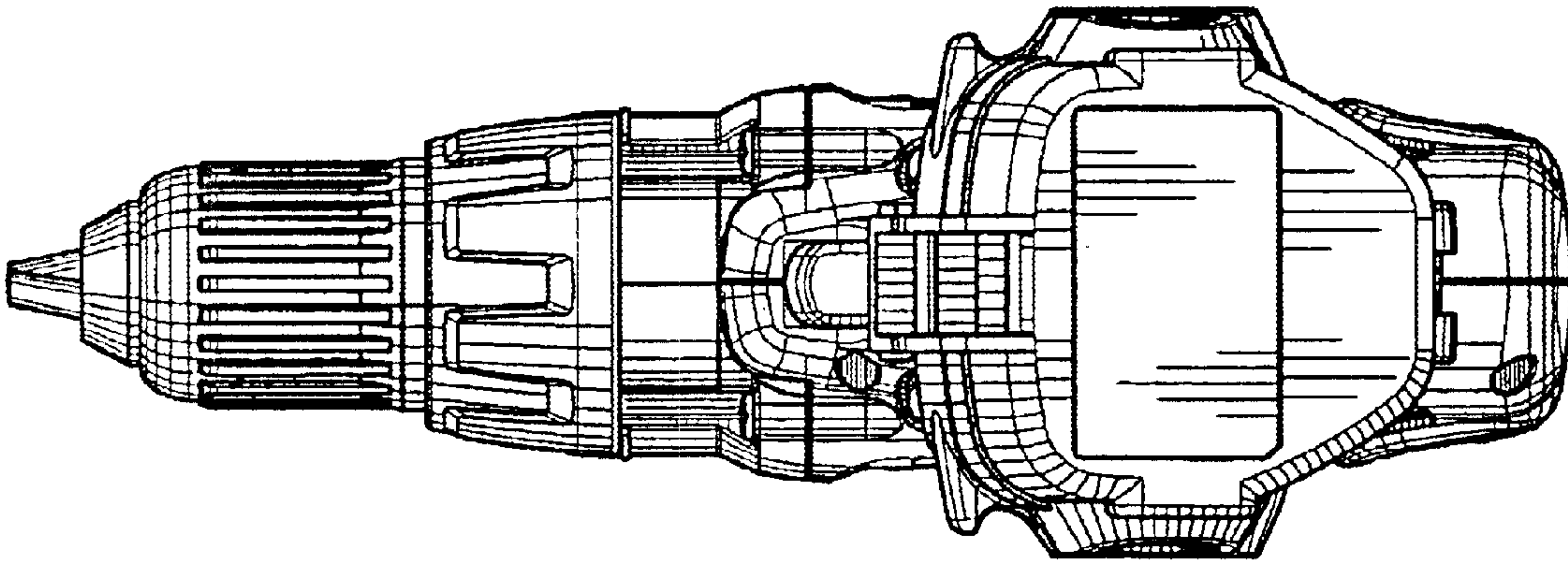


FIG. 21