

US00D506911S

(12) **United States Design Patent** (10) **Patent No.:** **US D506,911 S**
Jimenez (45) **Date of Patent:** **** Jul. 5, 2005**

(54) **HANDLE**

(75) Inventor: **Eduardo J. Jimenez**, Manalapan, NJ (US)

(73) Assignee: **KC Holdings, PLLC**

(**) Term: **14 Years**

(21) Appl. No.: **29/211,621**

(22) Filed: **Aug. 19, 2004**

(51) **LOC (8) Cl.** **08-05**

(52) **U.S. Cl.** **D8/45**

(58) **Field of Search** D8/45, 107; 15/235.4

(56) **References Cited**

U.S. PATENT DOCUMENTS

1,677,366	A	*	7/1928	Pickering	15/235.4
2,551,105	A	*	5/1951	Eiden et al.	15/235.4
D371,499	S		7/1996	Gomas	D8/107
D398,828	S		9/1998	Shiao	D8/83
D405,341	S		2/1999	Hsu	D8/107
D408,252	S		4/1999	Holland-Letz	D8/83
D436,822	S		1/2001	Douglas	D8/83
D442,053	S		5/2001	Jimenez	D8/95
D445,658	S		7/2001	Dierolf	D8/83
D446,105	S		8/2001	Hsiao	D8/107
D455,944	S		4/2002	Chen	D8/107
D456,686	S		5/2002	Holland-Letz	D8/83
D483,638	S		12/2003	Jimenez	D8/83

* cited by examiner

Primary Examiner—Holly Baynham

(74) *Attorney, Agent, or Firm*—Wolff & King, PLLC; Kevin A. Wolff; Eric G. King

(57) **CLAIM**

The ornamental design for a handle, as shown and described.

DESCRIPTION

FIG. 1 is a perspective view of the handle showing my new design looking downwardly at a front and left side thereof, and showing a tool in the lower portion in broken lines attached to the handle;

FIG. 2 is a left side elevation view of the handle and a portion of the attached tool in broken lines attached to the bottom of the handle;

FIG. 3 is a bottom plan view of the handle with the broken line structure shown broken away in this view to avoid obstruction of the full line disclosure.

FIG. 4 is a top plan view of the handle; and,

FIG. 5 is a bottom plan view of the handle with the tool removed.

The broken lines showing the tool attached to the handle are for illustrative purposes only and form no part of the claimed design. The broken lines in the center and on the left and right side of the handle as shown in FIG. 2 are interface lines for different materials and are for illustrative purposes only, forming no part of the claimed design. A right side elevation view of the handle is a mirror image of the left side elevation view. A rear elevation view of the handle is a mirror image of the front elevation view. In the front elevation view, top plan view and bottom plan view of the handle, unclaimed matter has been omitted for clarity.

1 Claim, 4 Drawing Sheets

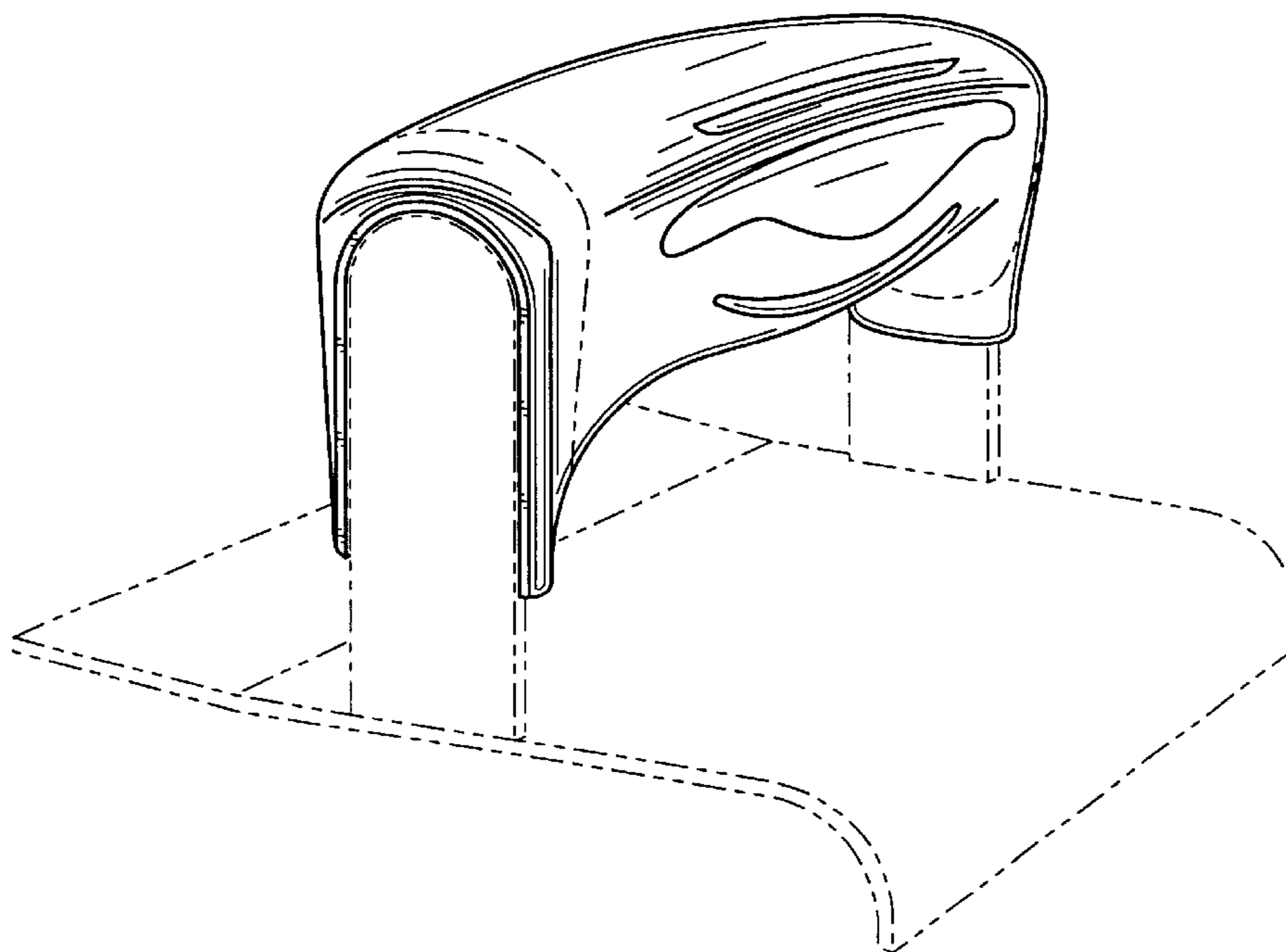


FIG. 1

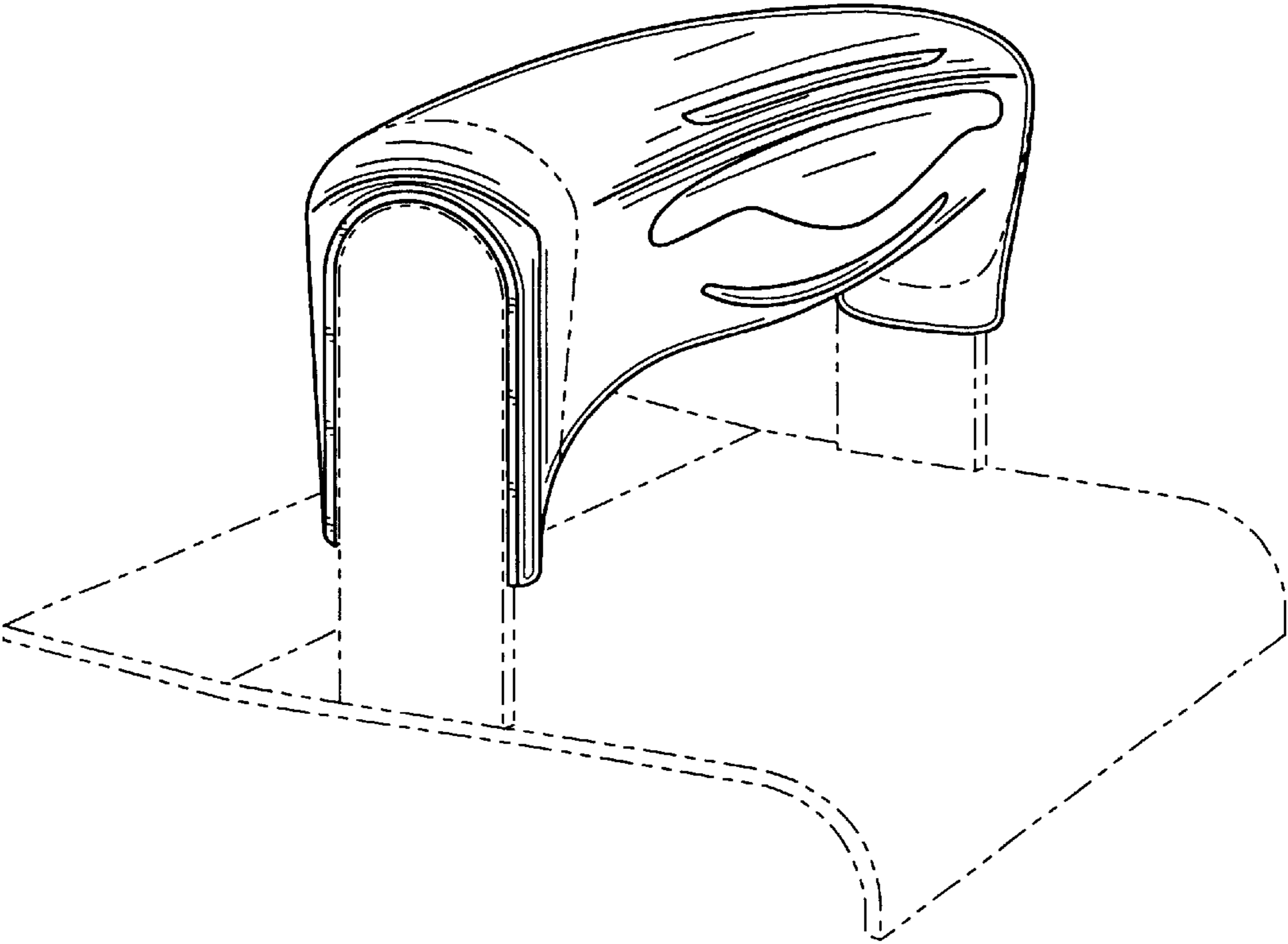


FIG. 2

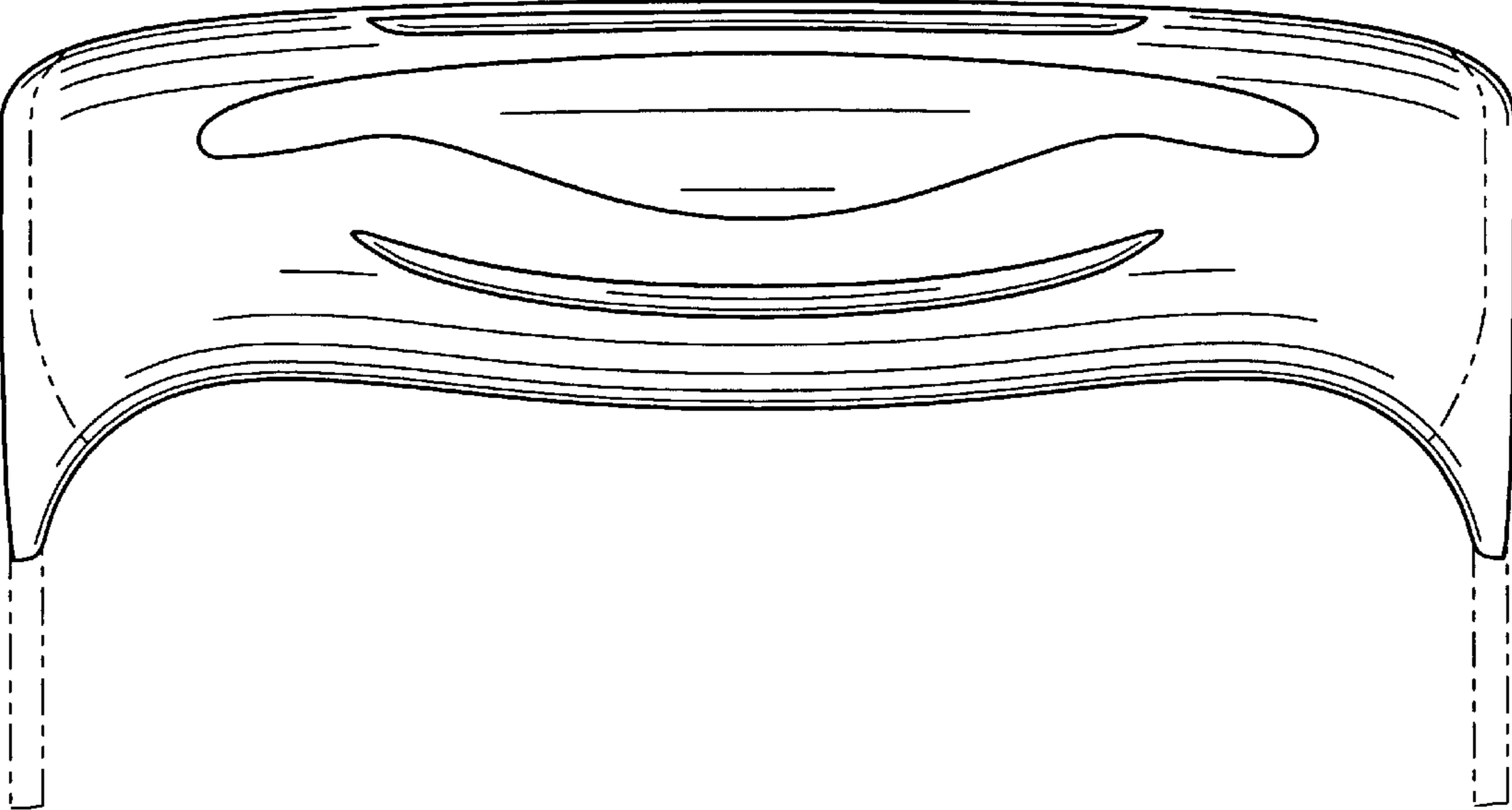


FIG. 3

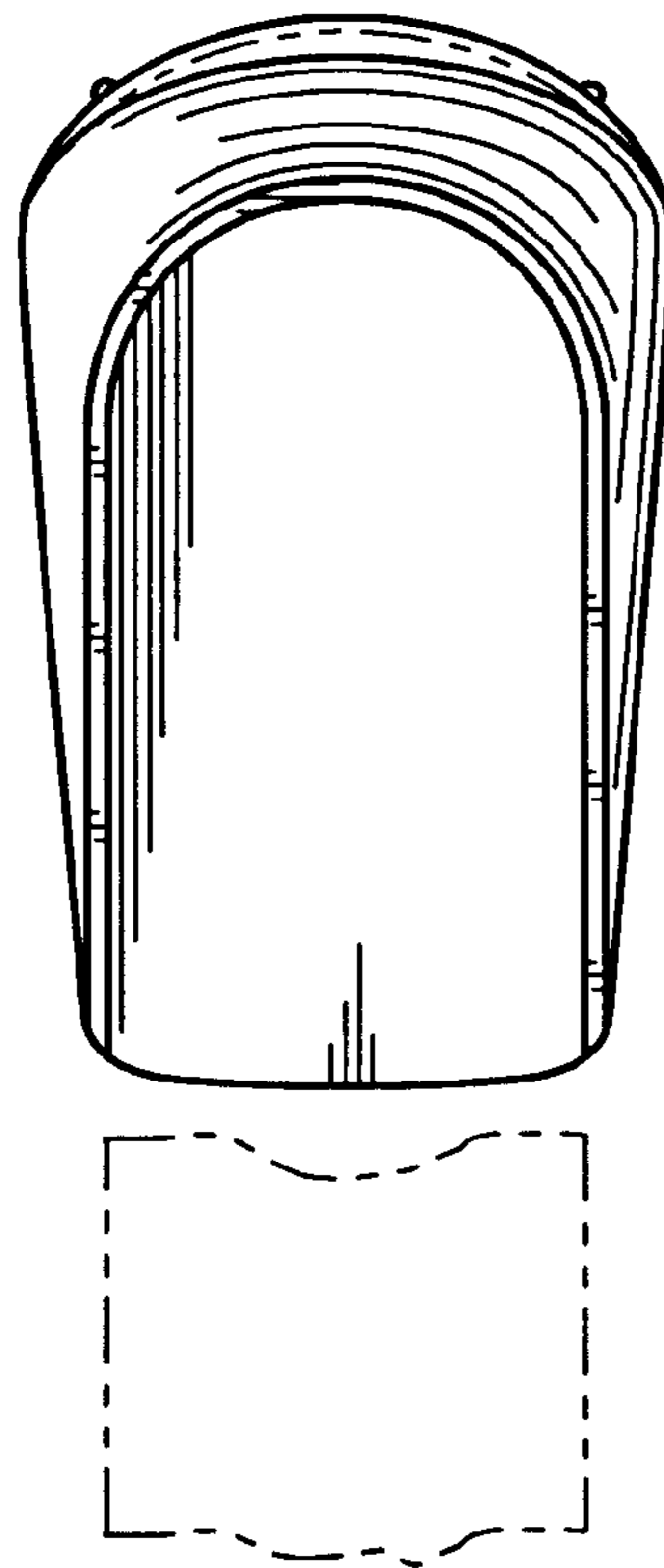


FIG. 4

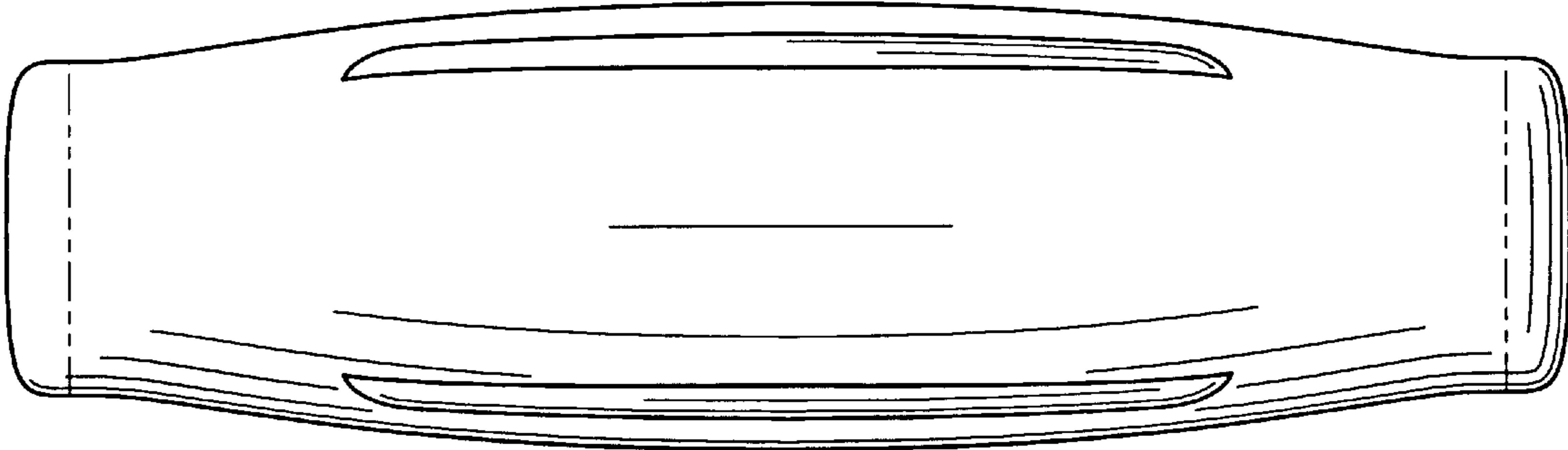


FIG. 5

