

US00D506910S

(12) **United States Design Patent**  
**Tham-itthisak**

(10) **Patent No.:** **US D506,910 S**  
(45) **Date of Patent:** **\*\* Jul. 5, 2005**

(54) **GLASS BOTTLE OPENER**

D373,290 S \* 9/1996 Ballin ..... D7/536  
D448,241 S \* 9/2001 Morris, Jr. .... D7/507

(75) Inventor: **Khetrat Tham-itthisak**, Bangkok (TH)

**FOREIGN PATENT DOCUMENTS**

(73) Assignee: **Propagandist Co., Ltd.**, Bankkok (TH)

GB 3002494 \* 3/2002

(\*\*) Term: **14 Years**

**OTHER PUBLICATIONS**

(21) Appl. No.: **29/158,198**

H. Barrow Co. Inc. catalog; ©1947; p. 83, Tapered Tumbler No. AG-1057, third row, third glass.\*

(22) Filed: **Mar. 28, 2002**

\* cited by examiner

(51) **LOC (8) Cl.** ..... **07-99**

*Primary Examiner*—Caron D. Veynar

(52) **U.S. Cl.** ..... **D8/34**; D7/509

(74) *Attorney, Agent, or Firm*—Knobbe, Martens, Olson & Bear, LLP

(58) **Field of Search** ..... D8/17-19, 33-43;  
D7/509, 523, 507, 536; 229/400-405; 81/3.07-3.49;  
30/400-450

(57) **CLAIM**

(56) **References Cited**

The ornamental design for a glass bottle opener, as shown and described.

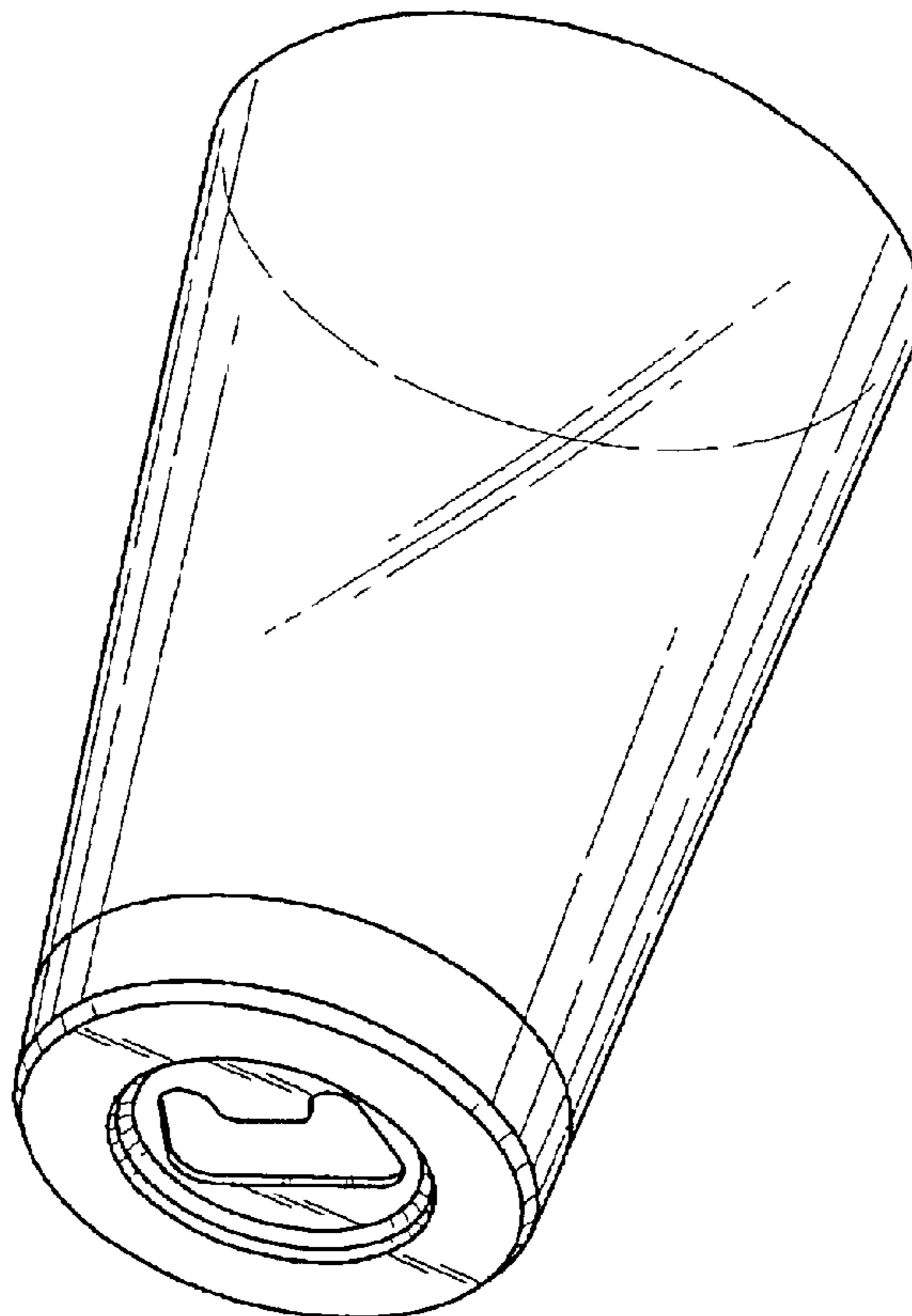
**U.S. PATENT DOCUMENTS**

**DESCRIPTION**

933,429	A	*	9/1909	Gitterman	.....	273/145	C
1,134,354	A	*	4/1915	Seifke	.....	215/382	
1,755,086	A	*	4/1930	Tapp	.....	81/3.09	
1,810,630	A	*	6/1931	Tapp	.....	81/3.09	
2,328,872	A	*	9/1943	Yealdhall et al.	.....	206/217	
2,745,301	A	*	5/1956	Grunwald	.....	81/3.15	
3,236,126	A	*	2/1966	Martinmaas	.....	81/3.15	
D223,704	S	*	5/1972	Cheladze	.....	D7/509	
4,798,300	A	*	1/1989	Ghosh et al.	.....	215/10	
D367,413	S	*	2/1996	Ballin	.....	D8/34	

FIG. 1 is a perspective view of a glass bottle opener showing my new design;  
FIG. 2 is a front elevation view. The back, right, and left views are identical;  
FIG. 3 is top plan view; and,  
FIG. 4 is a bottom plan view.

**1 Claim, 4 Drawing Sheets**



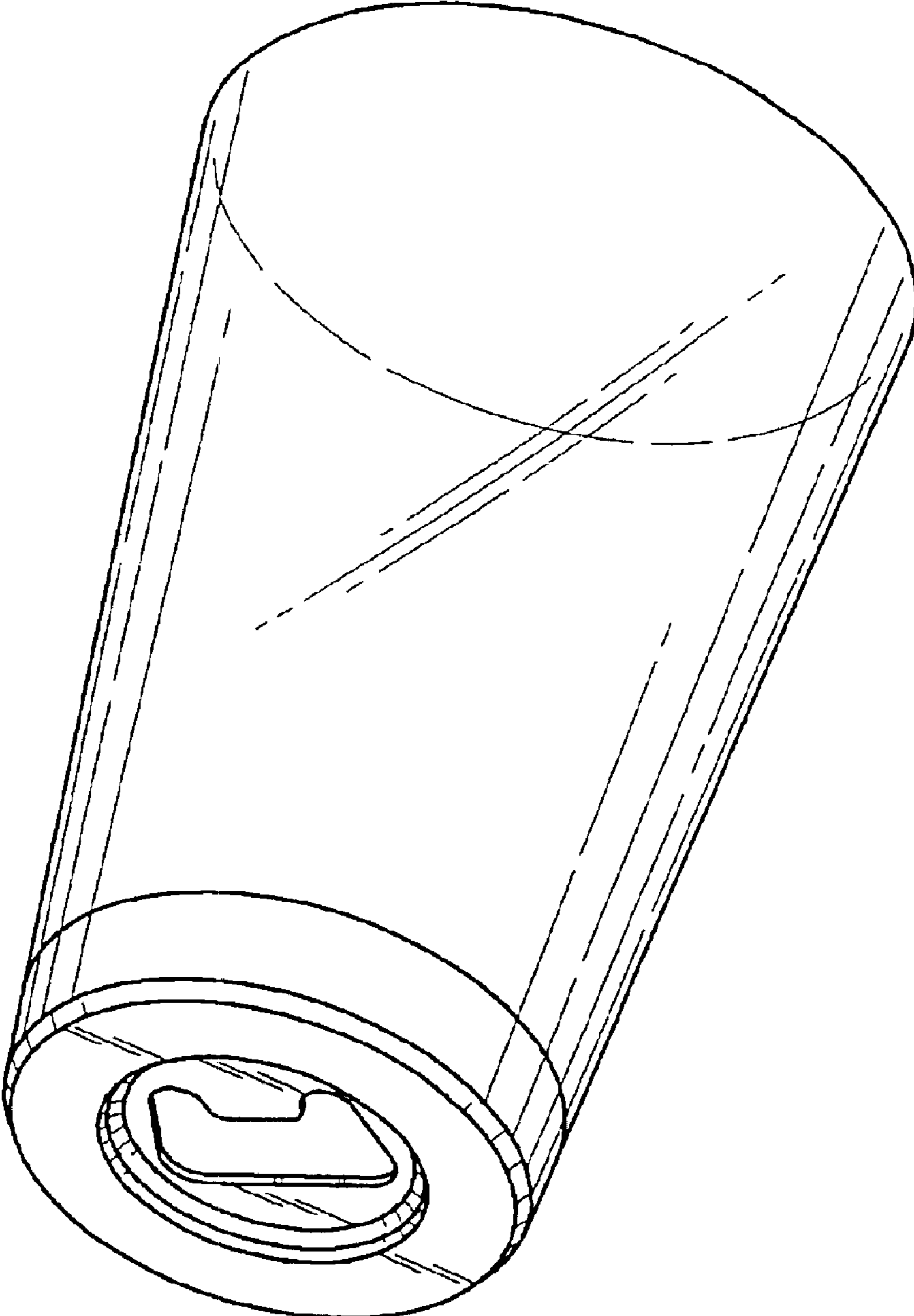


FIG. 1

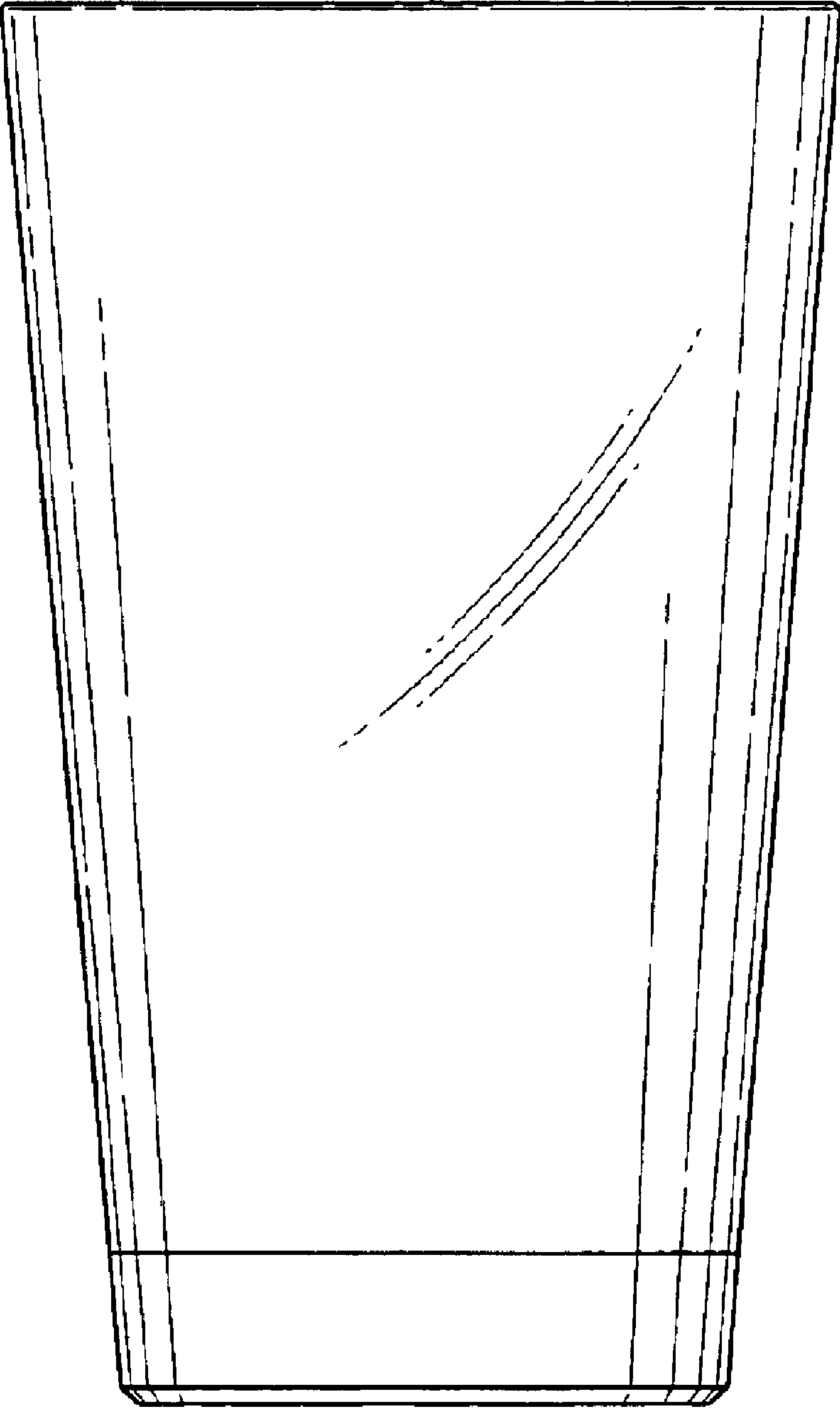


FIG. 2

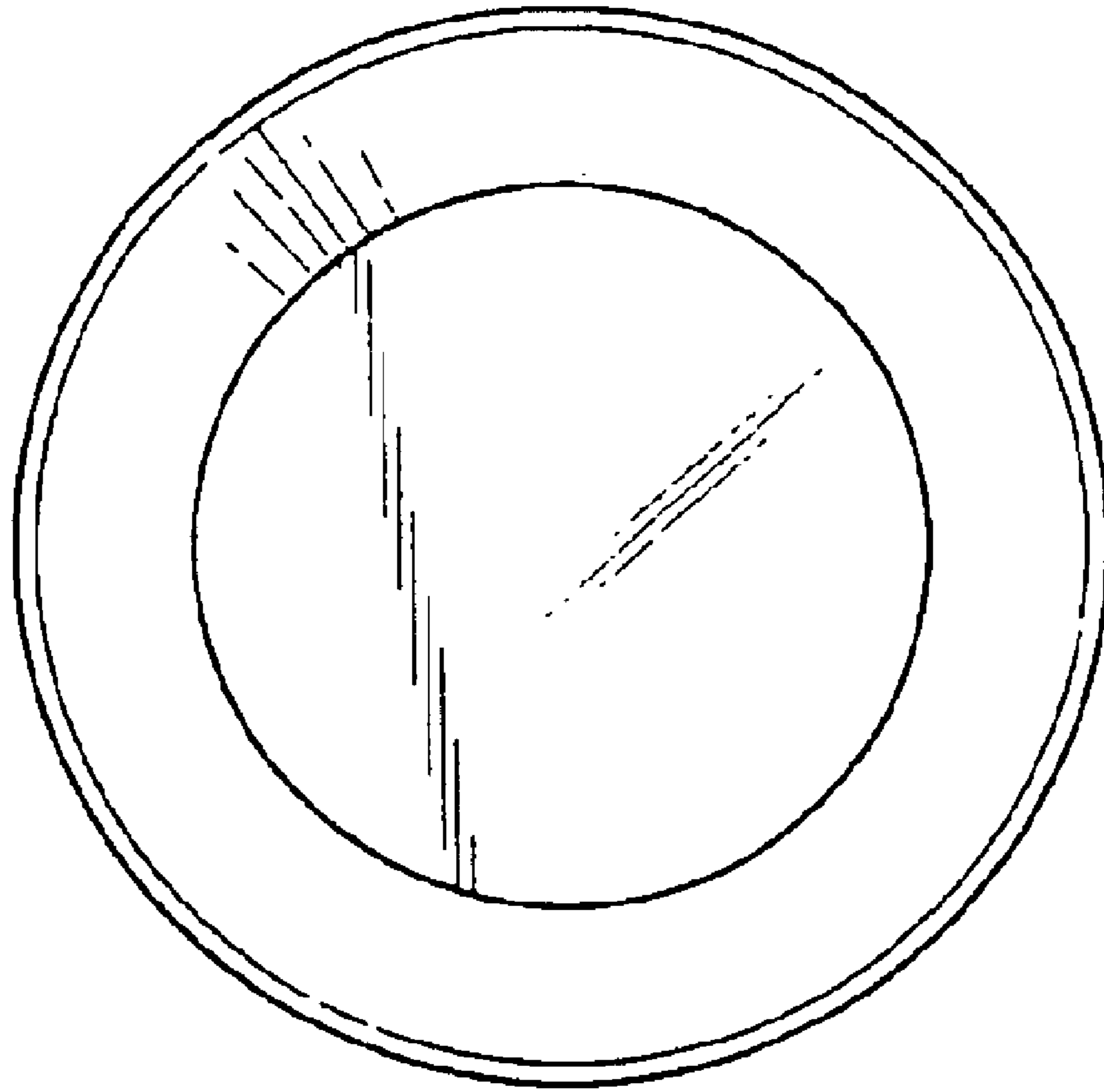


FIG. 3

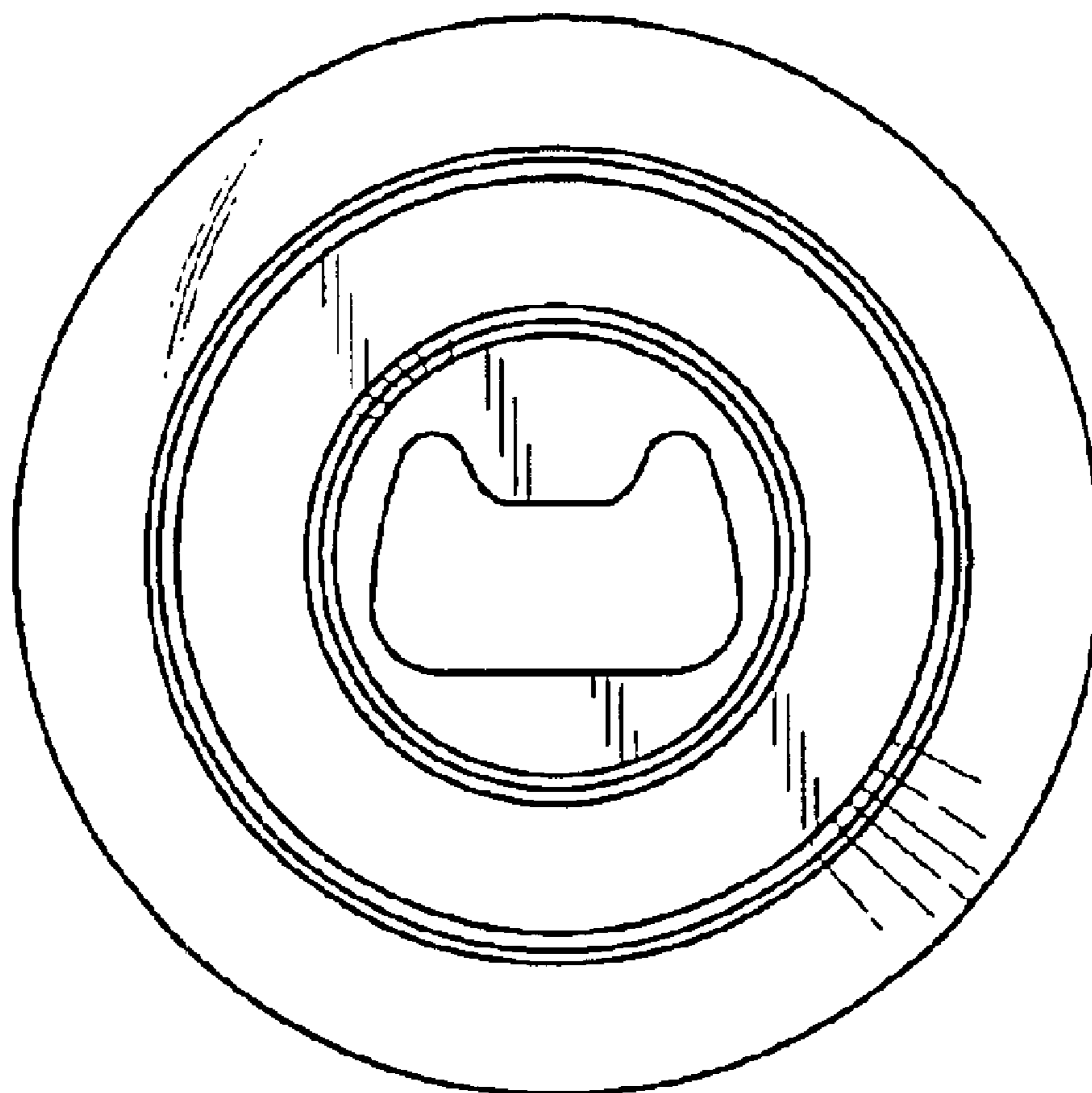


FIG. 4