

US00D506907S

(12) **United States Design Patent**
Olivarez

(10) **Patent No.:** **US D506,907 S**

(45) **Date of Patent:** **** Jul. 5, 2005**

(54) **GROUNDING TOOL WITH LOCKING MECHANISM FOR REMOVING SPARK PLUG BOOT**

D335,249 S * 5/1993 Hopkins D8/52
D351,540 S 10/1994 Combe
5,680,697 A 10/1997 Bever

(76) Inventor: **Miguel G. Olivarez**, 1460 W. Heritage, Odessa, TX (US) 79766

* cited by examiner

Primary Examiner—Holly Baynham

(**) Term: **14 Years**

(74) *Attorney, Agent, or Firm*—Donald R. Schoonover

(21) Appl. No.: **29/206,129**

(57) **CLAIM**

(22) Filed: **May 27, 2004**

I claim the ornamental design for a grounding tool with locking mechanism for removing spark plug boot, as shown and described.

(51) **LOC (8) Cl.** **08-05**

(52) **U.S. Cl.** **D8/14**

(58) **Field of Search** D8/14, 51-52;
29/280, 764, 752

DESCRIPTION

(56) **References Cited**

U.S. PATENT DOCUMENTS

1,203,853 A	11/1916	Contal	
4,125,938 A	11/1978	Clark	
4,202,088 A	5/1980	Hansen	
4,425,697 A	1/1984	Simmons	
4,571,824 A	* 2/1986	Ingaglio	29/764
4,757,588 A	* 7/1988	Churchich	29/235
D298,006 S	10/1988	Cooley	
D322,920 S	* 1/1992	Wolfe	D8/52

FIG. 1 is a perspective view of a grounding tool with locking mechanism for removing spark plug boot showing my new design with a cable thereof disconnected for purposes of clarity;

FIG. 2 is an end elevational view thereof;

FIG. 3 is an elevational view of the opposing end thereof;

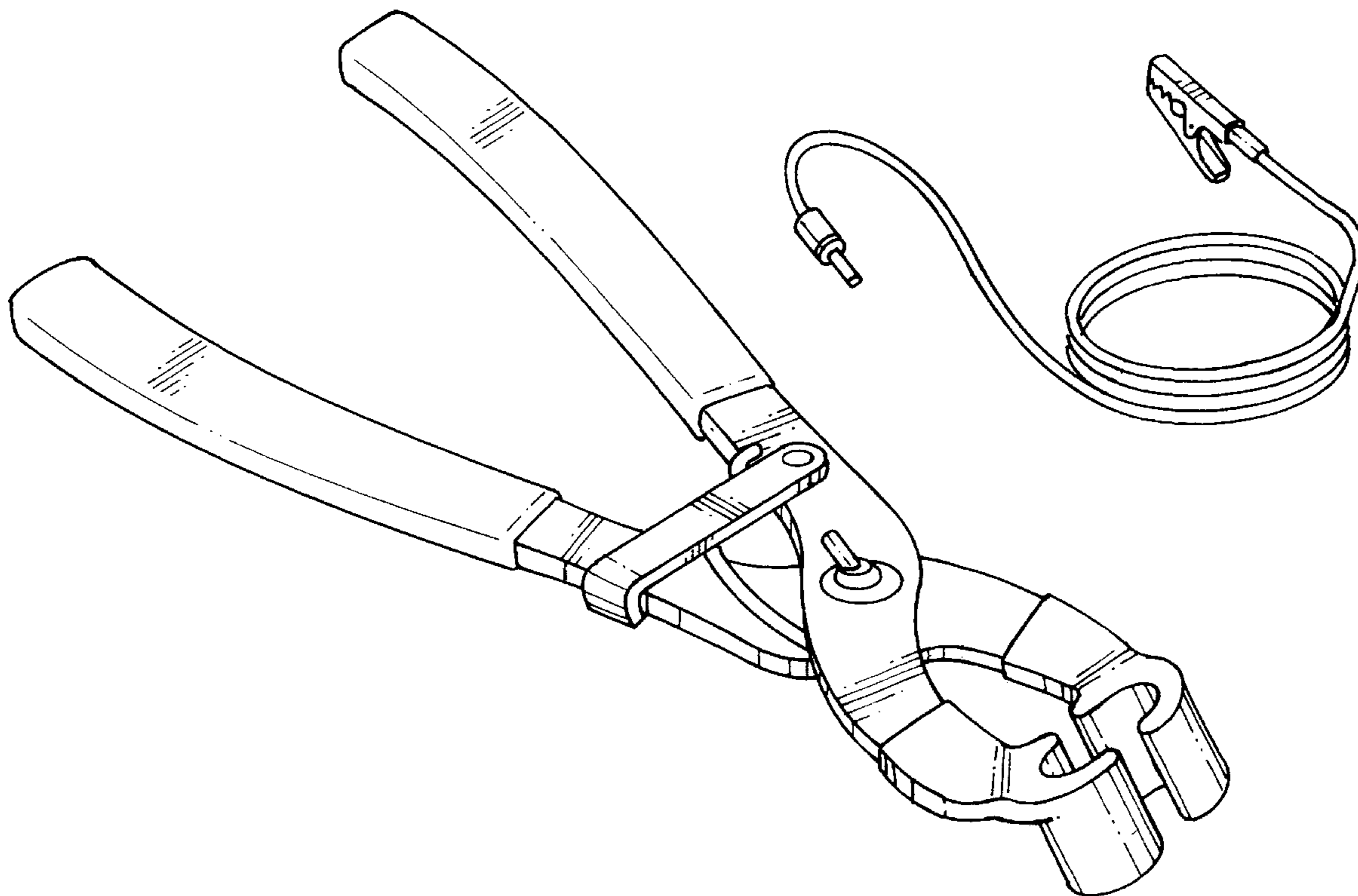
FIG. 4 is a side elevational view thereof;

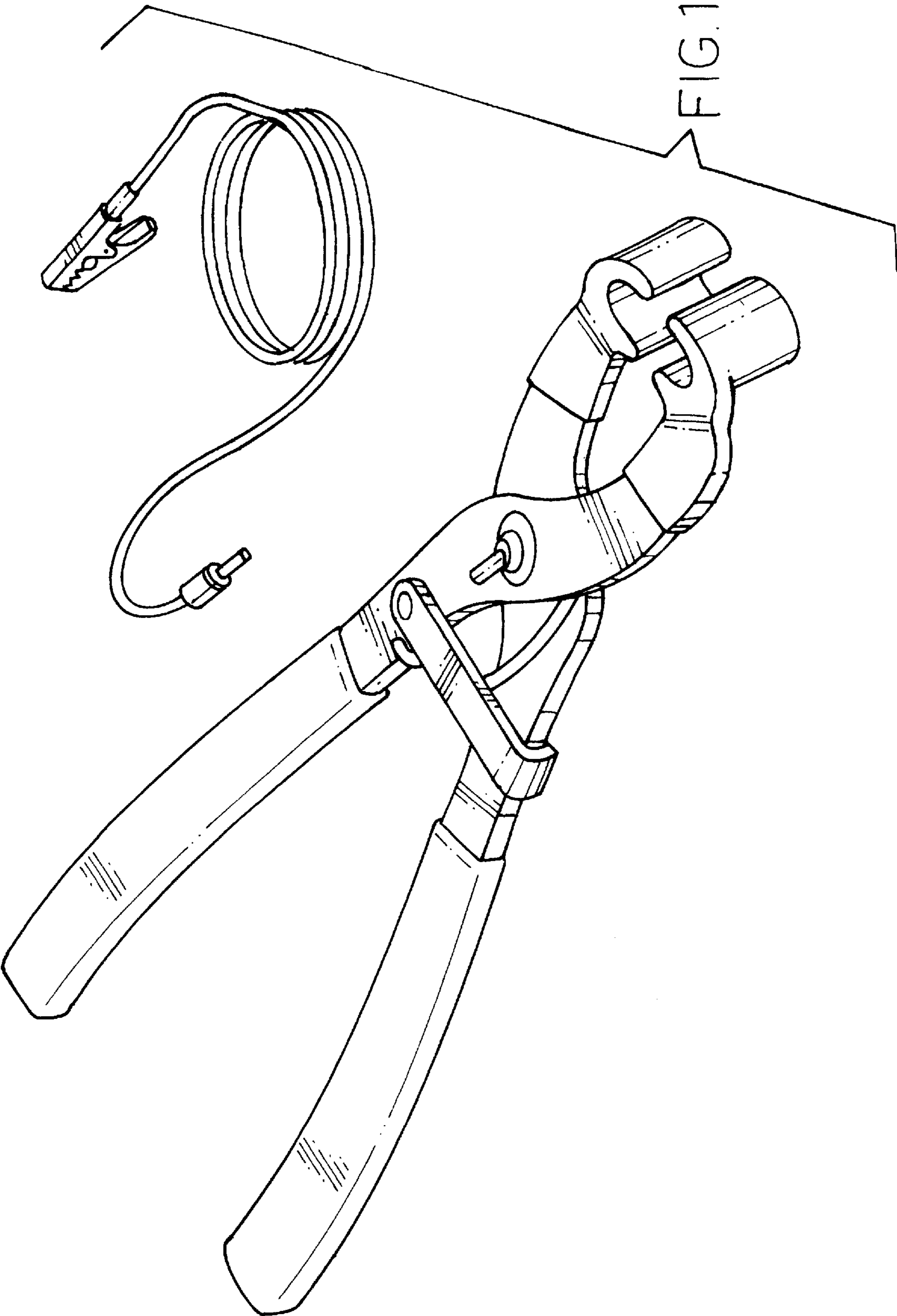
FIG. 5 is an elevational view of the opposing side thereof;

FIG. 6 is a top plan view thereof; and,

FIG. 7 is a bottom plan view thereof.

1 Claim, 4 Drawing Sheets





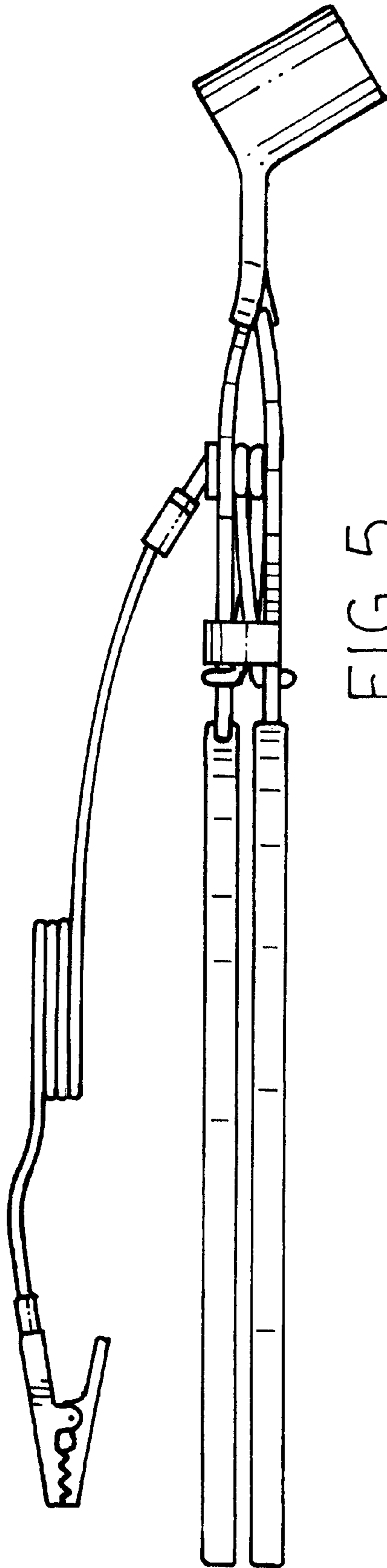


FIG. 5.

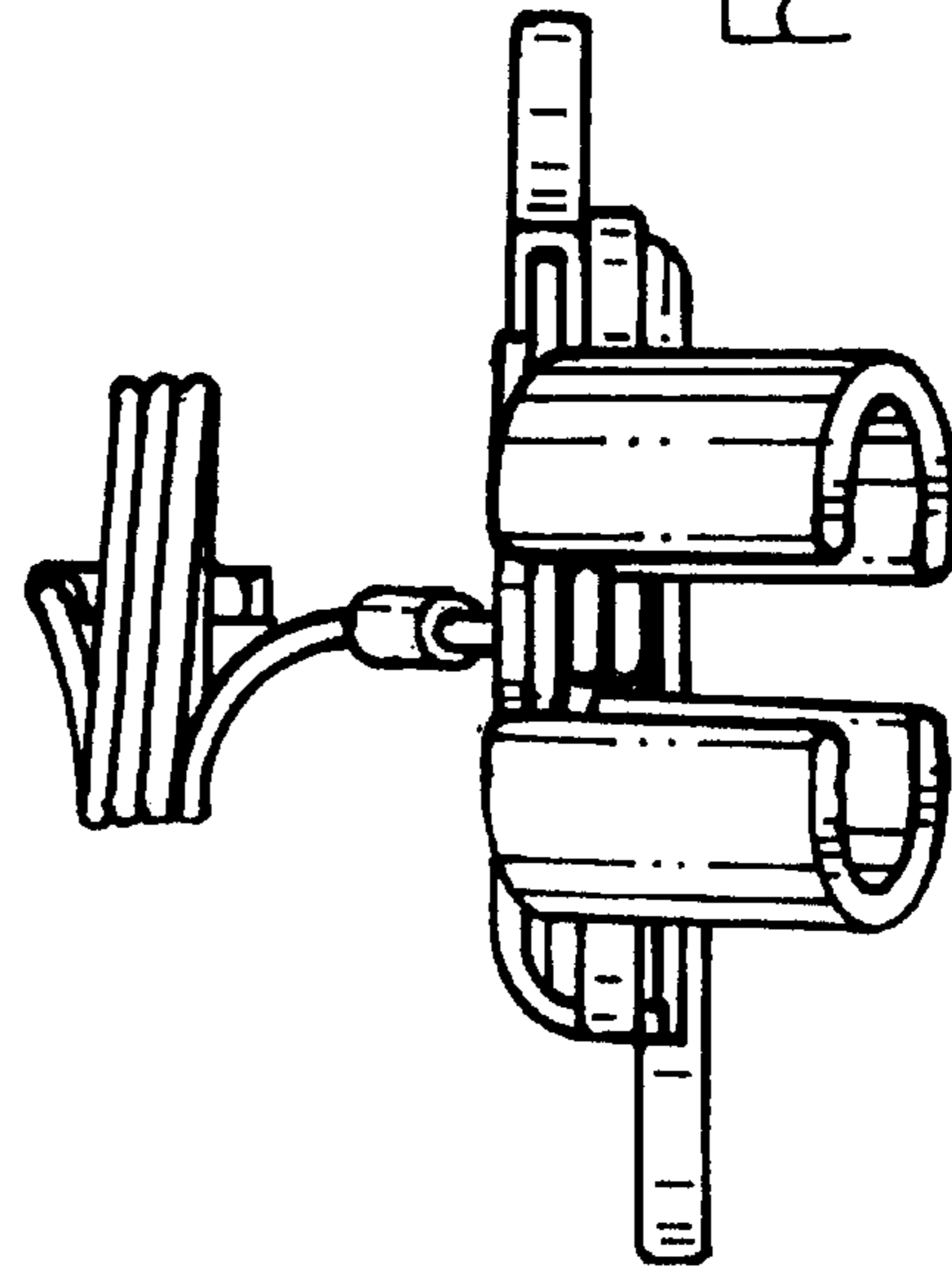


FIG. 2.

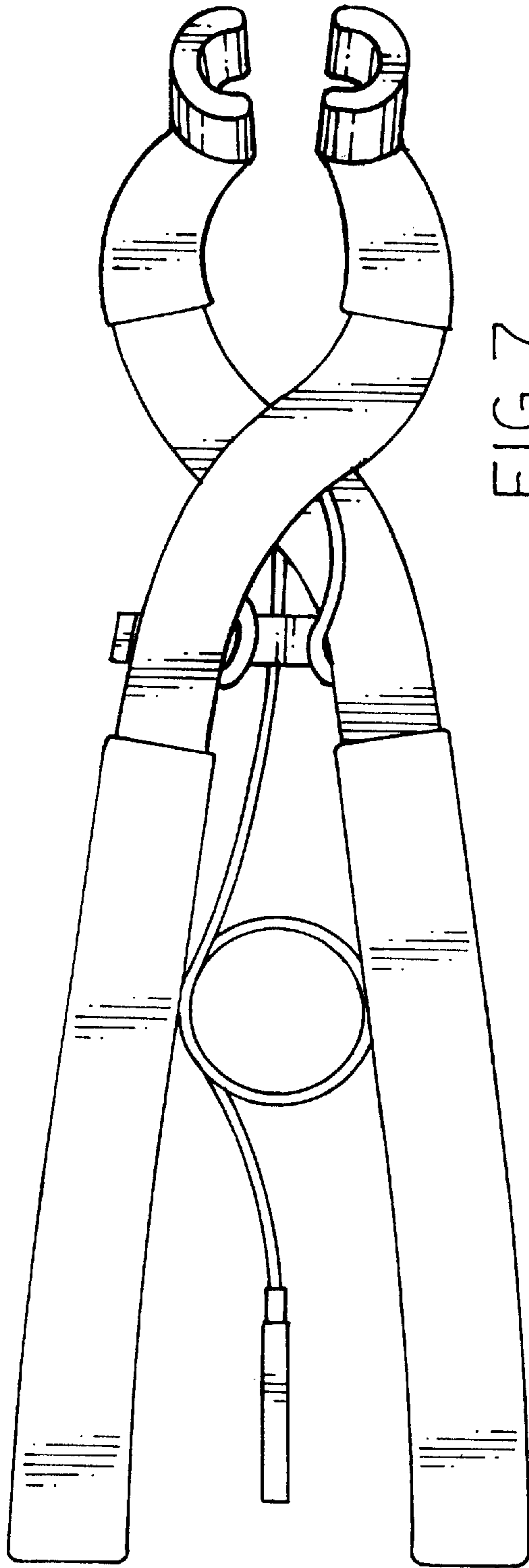


FIG. 7.

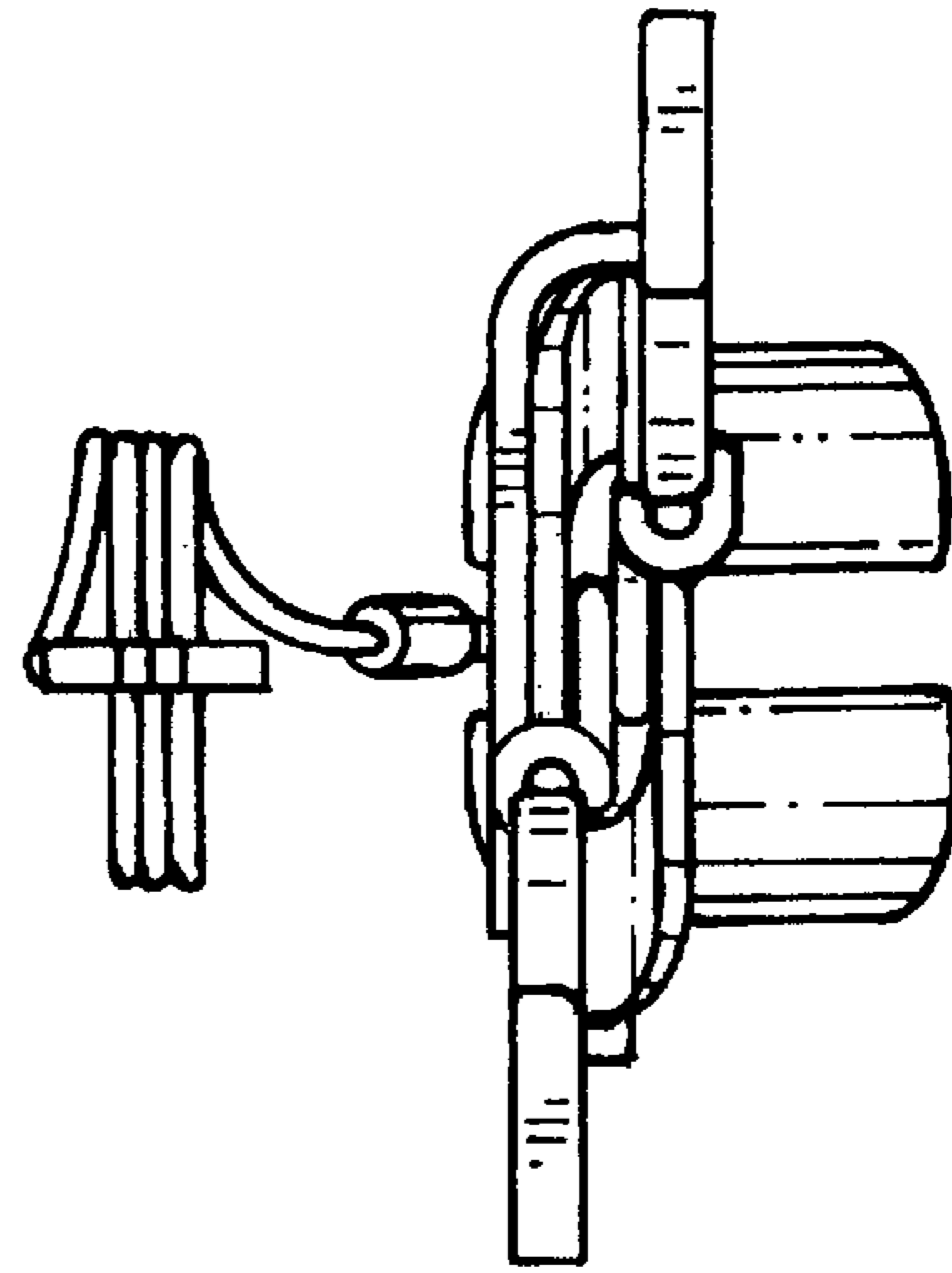


FIG. 3.

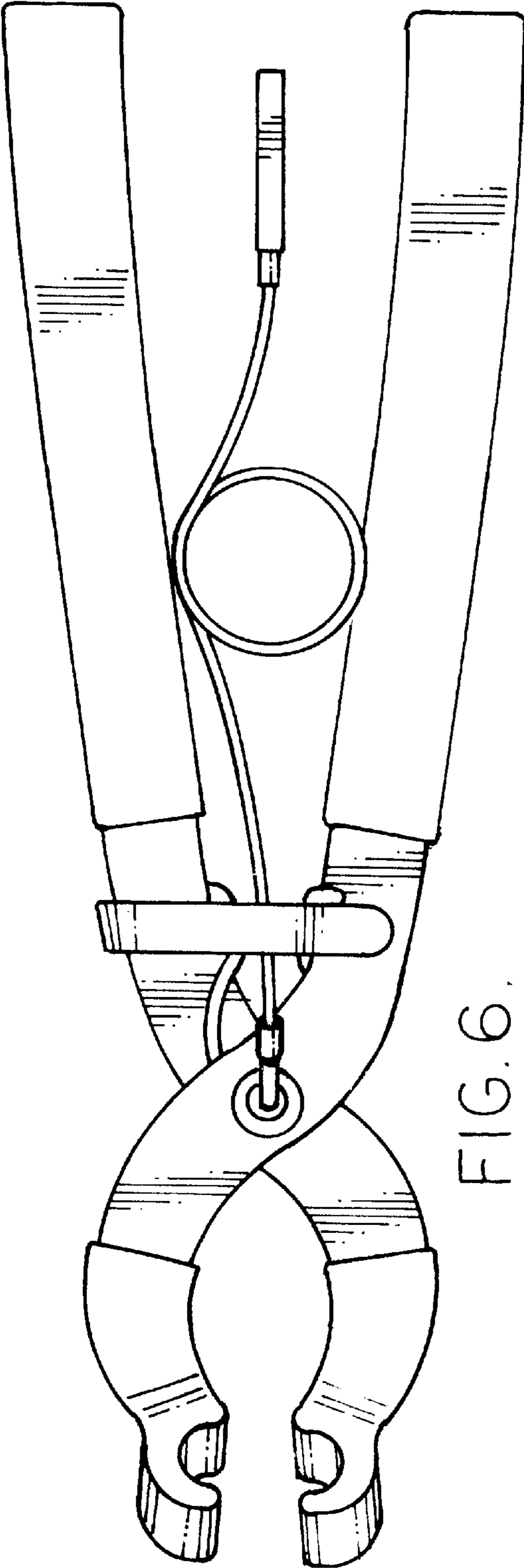


FIG. 6.

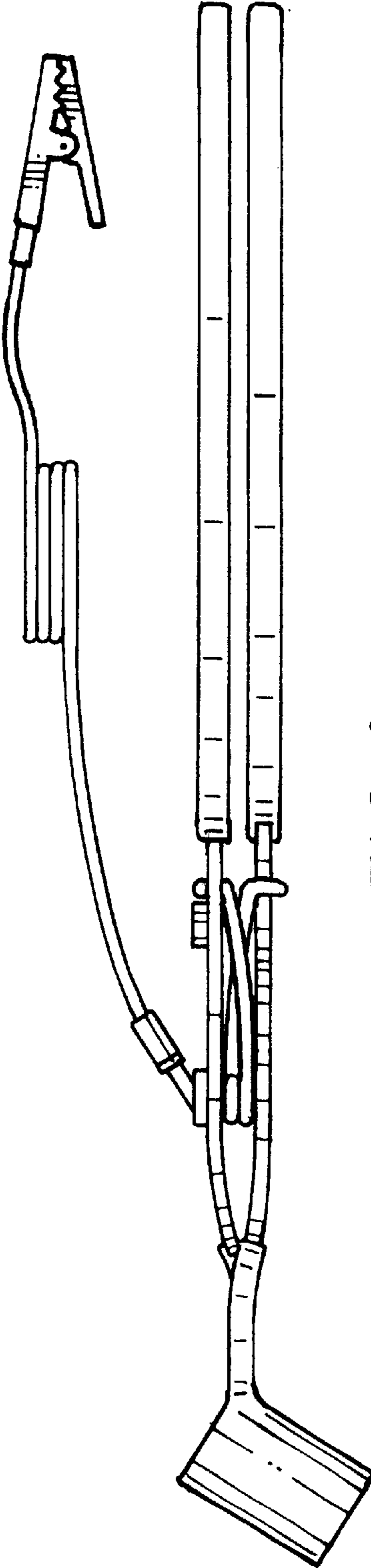


FIG. 4.