



US00D506903S

(12) **United States Design Patent**
Lee

(10) **Patent No.:** **US D506,903 S**
(45) **Date of Patent:** **** Jul. 5, 2005**

(54) **SALAD SPINNER**
(75) **Inventor:** **Shek Tang Lee, Tsuen Wan (HK)**
(73) **Assignee:** **Hung Sang Metal Plastic Factory Limited, Hong Kong (CN)**
(**) **Term:** **14 Years**

5,064,535 A * 11/1991 Hsu 210/380.1
5,865,109 A * 2/1999 Bull 99/495
5,904,090 A * 5/1999 Lillelund et al. 99/495
D462,881 S * 9/2002 Mulhauser et al. D7/665

* cited by examiner

Primary Examiner—Terry A. Wallace
(74) *Attorney, Agent, or Firm*—Harrison & Egbert

(21) **Appl. No.:** **29/202,731**
(22) **Filed:** **Apr. 5, 2004**
(30) **Foreign Application Priority Data**

Mar. 15, 2004 (HK) 0410568.0M002

(51) **LOC (8) Cl.** **07-04**
(52) **U.S. Cl.** **D7/665**
(58) **Field of Search** D7/665–668, 538–542;
34/58; 99/479, 495, 511–513; 210/360.1,
380.1; 241/166, 169

(56) **References Cited**
U.S. PATENT DOCUMENTS

4,209,916 A * 7/1980 Doyel 34/58

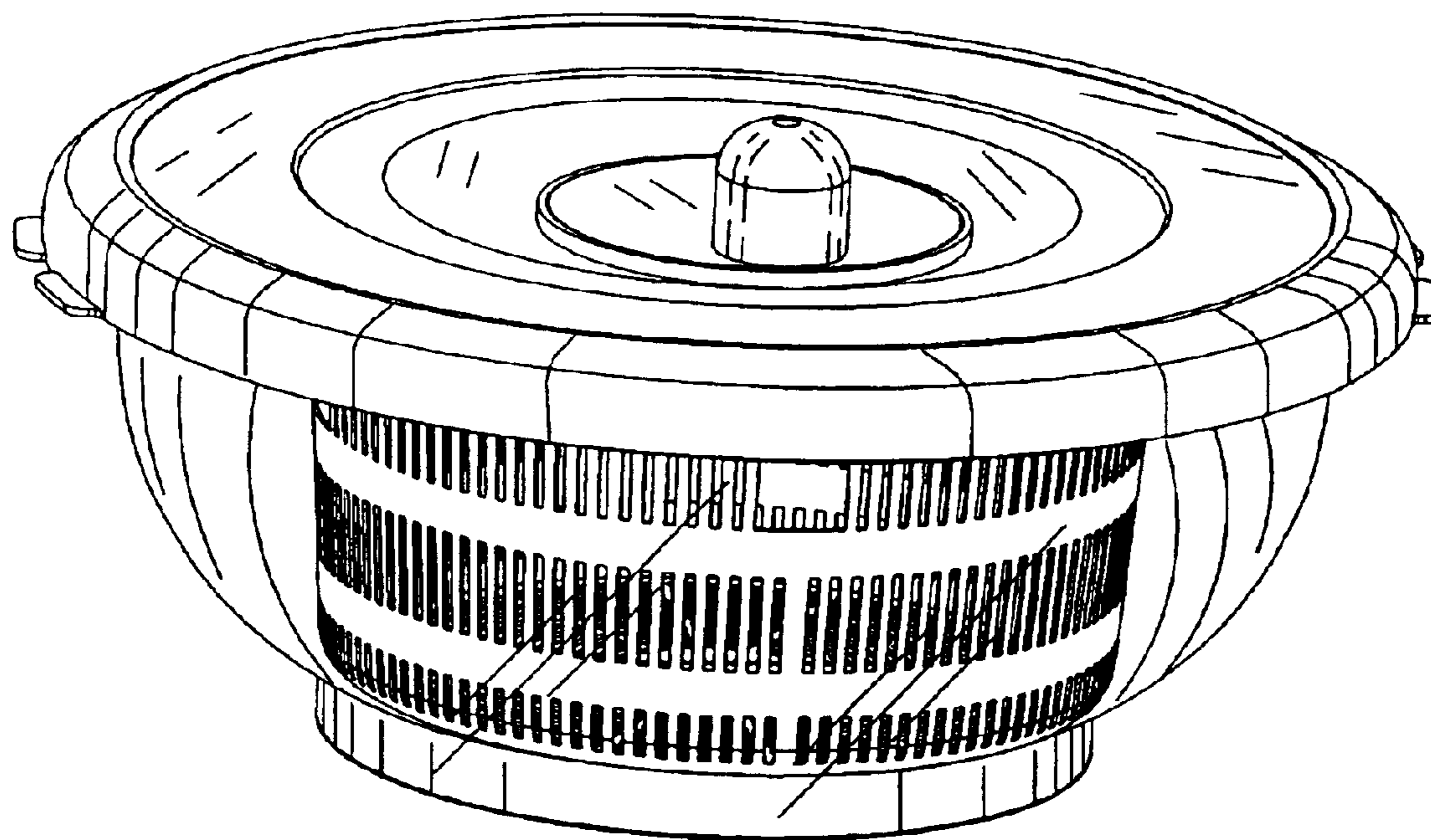
(57) **CLAIM**

I claim the ornamental design for a salad spinner, as shown and described.

DESCRIPTION

FIG. 1 is a front elevation view of the salad spinner showing my design, a back view being a mirror image thereof.
FIG. 2 is a side view thereof;
FIG. 3 is an opposite side view thereof;
FIG. 4 is a top plan view thereof;
FIG. 5 is a bottom view thereof;
FIG. 6 is an upper perspective view thereof; and,
FIG. 7 is an exploded perspective view thereof.

1 Claim, 7 Drawing Sheets



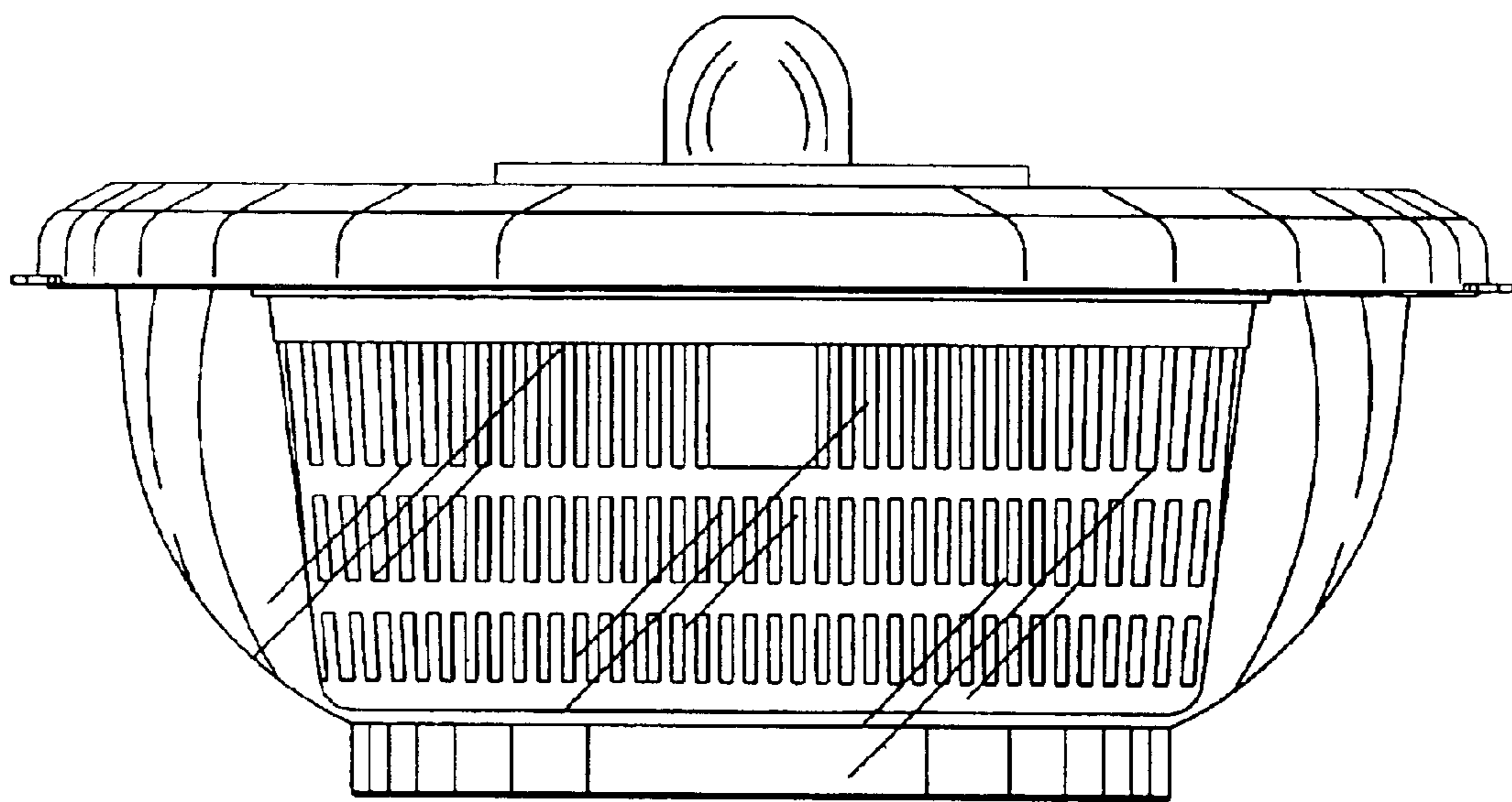


FIG. 1

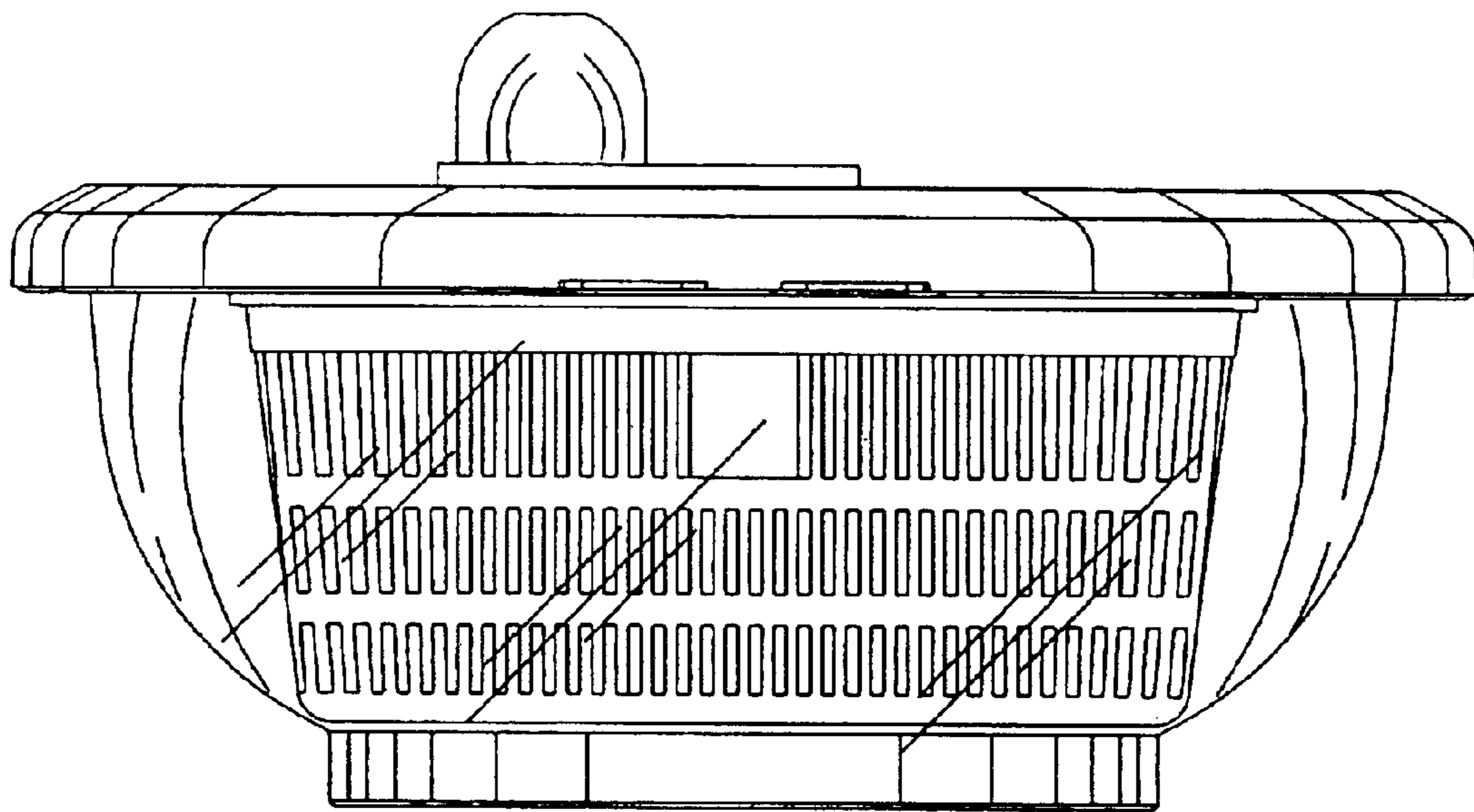


FIG. 2

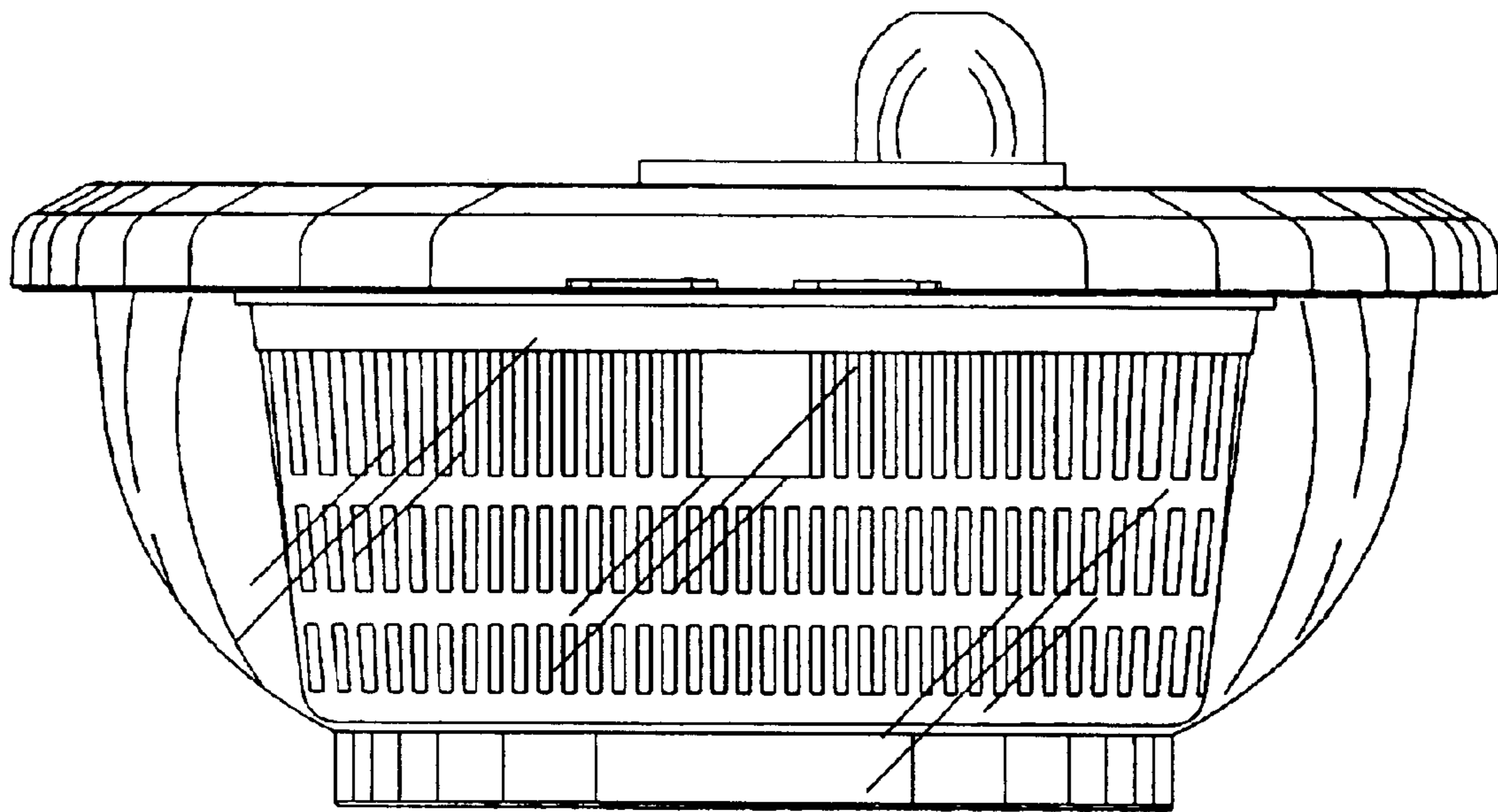


FIG. 3

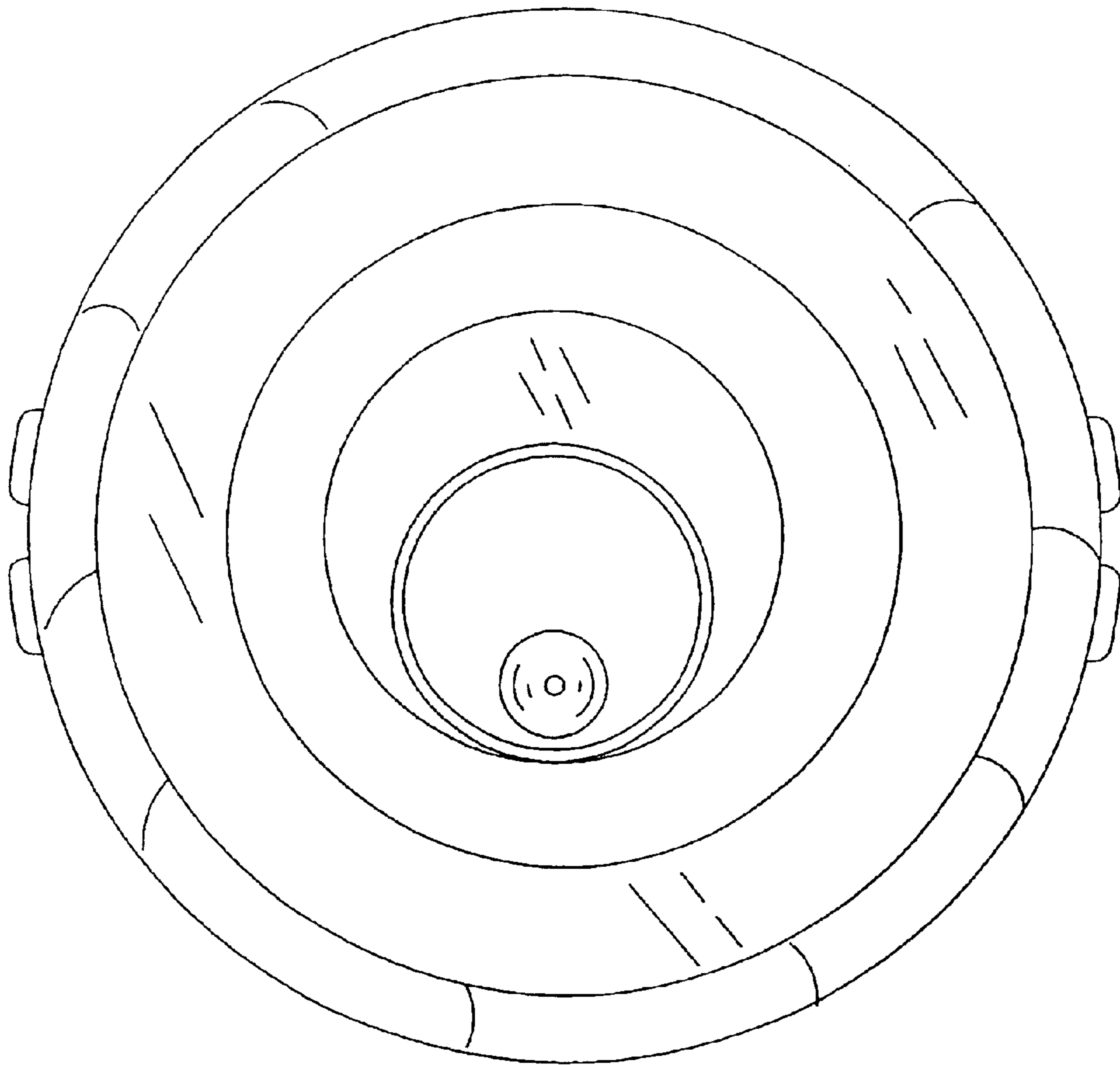


FIG. 4

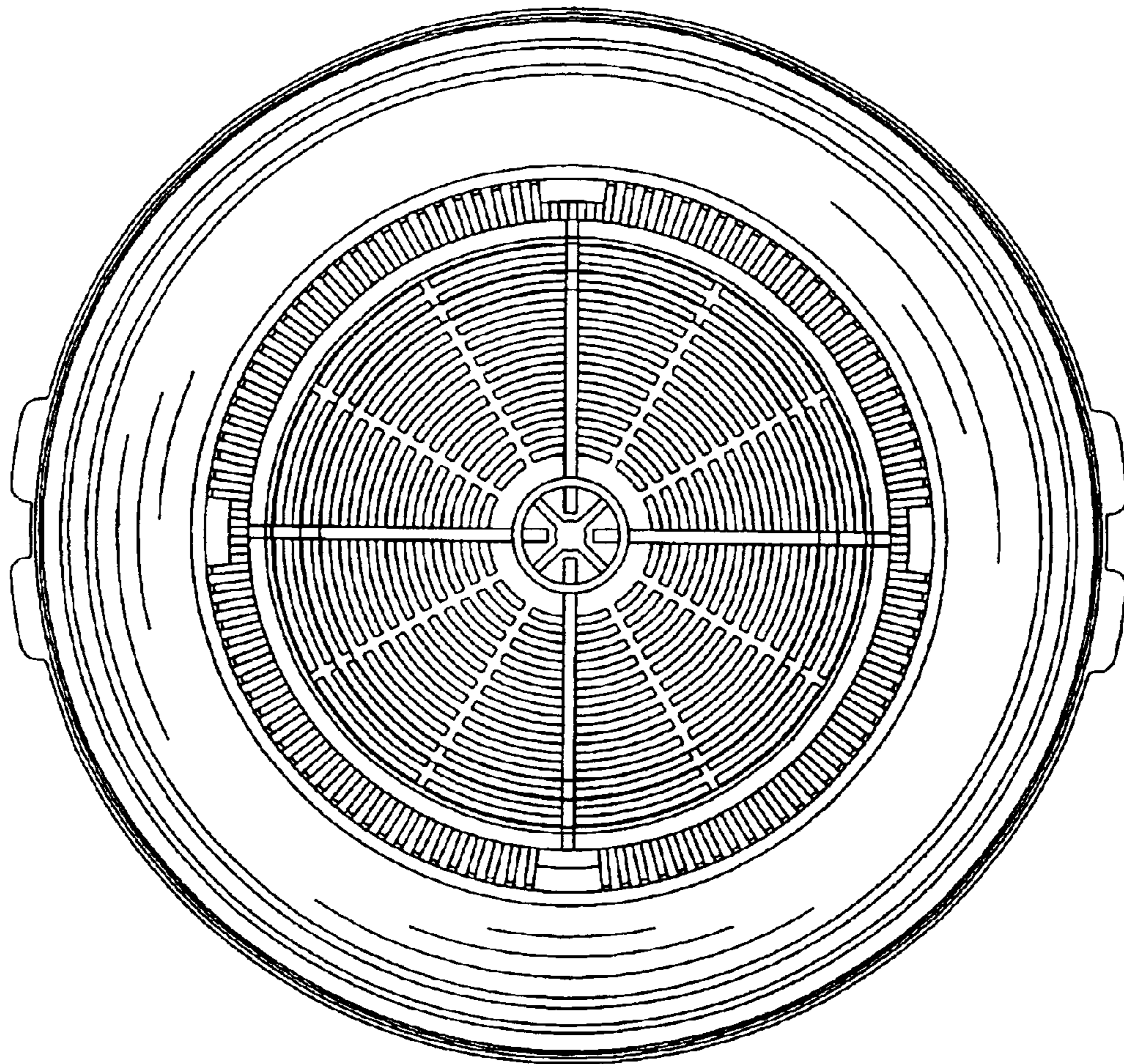


FIG. 5

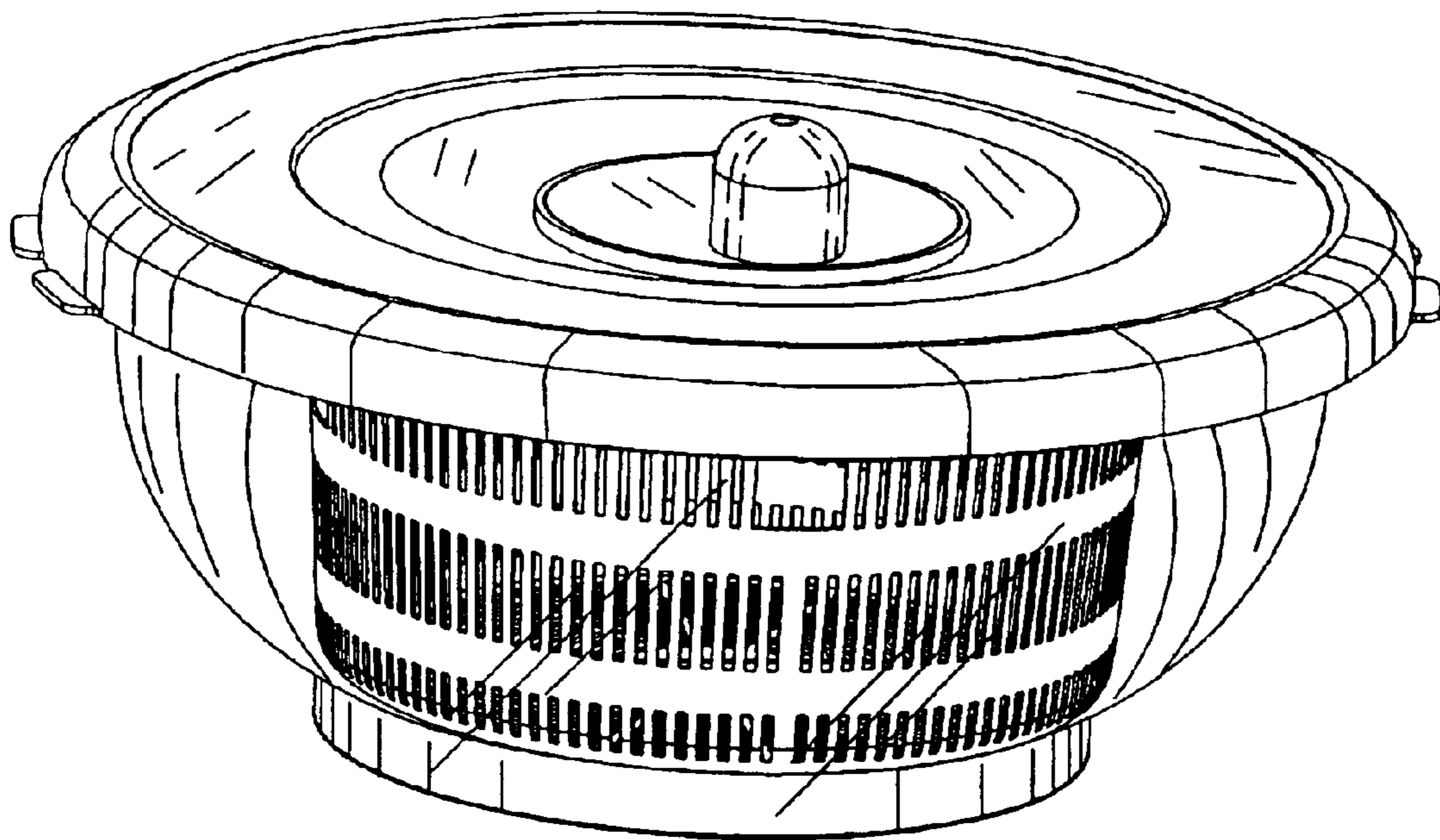


FIG. 6

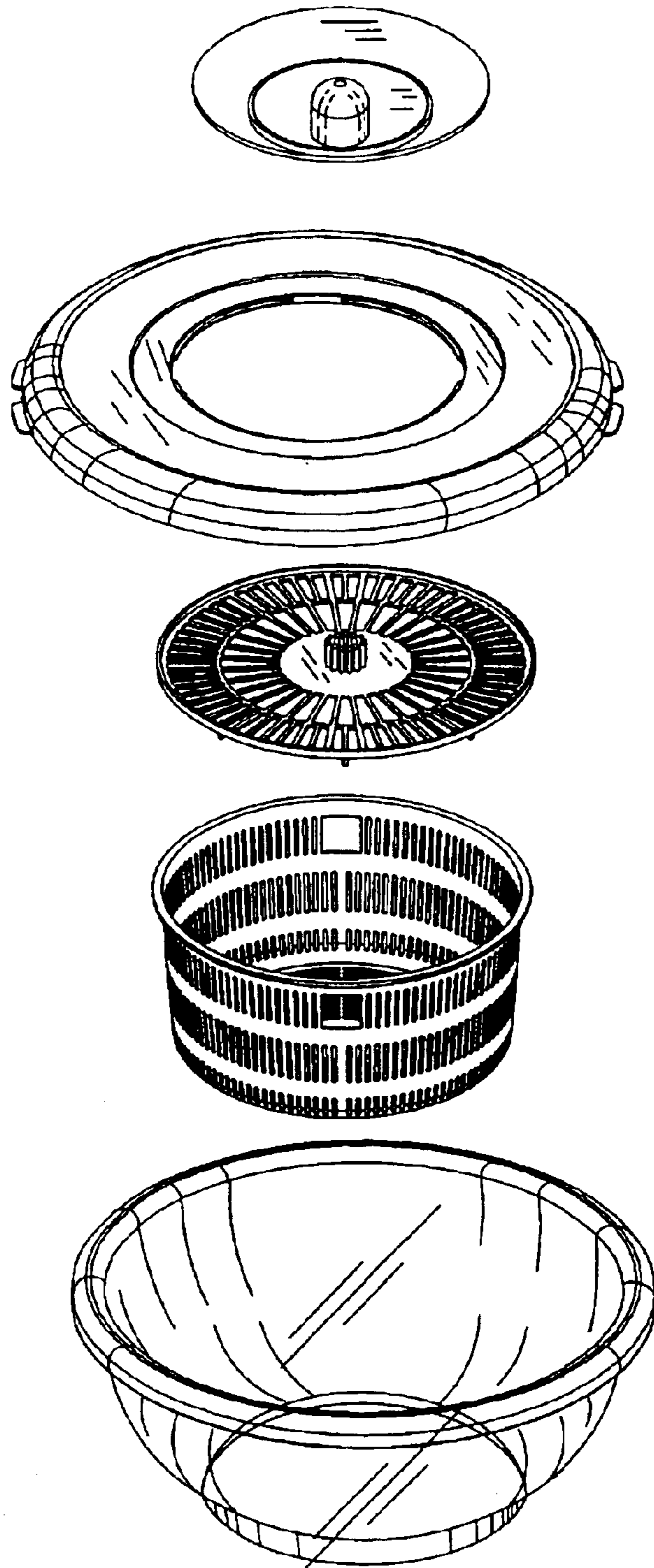


FIG. 7