



US00D506902S

(12) **United States Design Patent**
Tseng et al.

(10) **Patent No.:** **US D506,902 S**
(45) **Date of Patent:** **** Jul. 5, 2005**

- (54) **BODY OF JUICE EXTRACTOR**
- (76) Inventors: **Rong-Yuan Tseng**, P.O. Box 166-13, Taipei (TW), 115; **Kuo-I Lin**, P.O. Box 166-13, Taipei (TW), 115
- (**) Term: **14 Years**
- (21) Appl. No.: **29/200,988**
- (22) Filed: **Mar. 9, 2004**
- (51) **LOC (8) Cl.** **31-00**
- (52) **U.S. Cl.** **D7/665**
- (58) **Field of Search** D7/665, 666, 678, D7/376, 378, 372; 99/501-513, 348, 357, 492, 499; 241/100

- D331,176 S * 11/1992 Green D7/372
- D428,311 S * 7/2000 Thackray D7/665
- D471,771 S * 3/2003 Hallar D7/665

* cited by examiner

Primary Examiner—Terry A. Wallace

(57) **CLAIM**

The ornamental design for body of juice extractor, as shown.

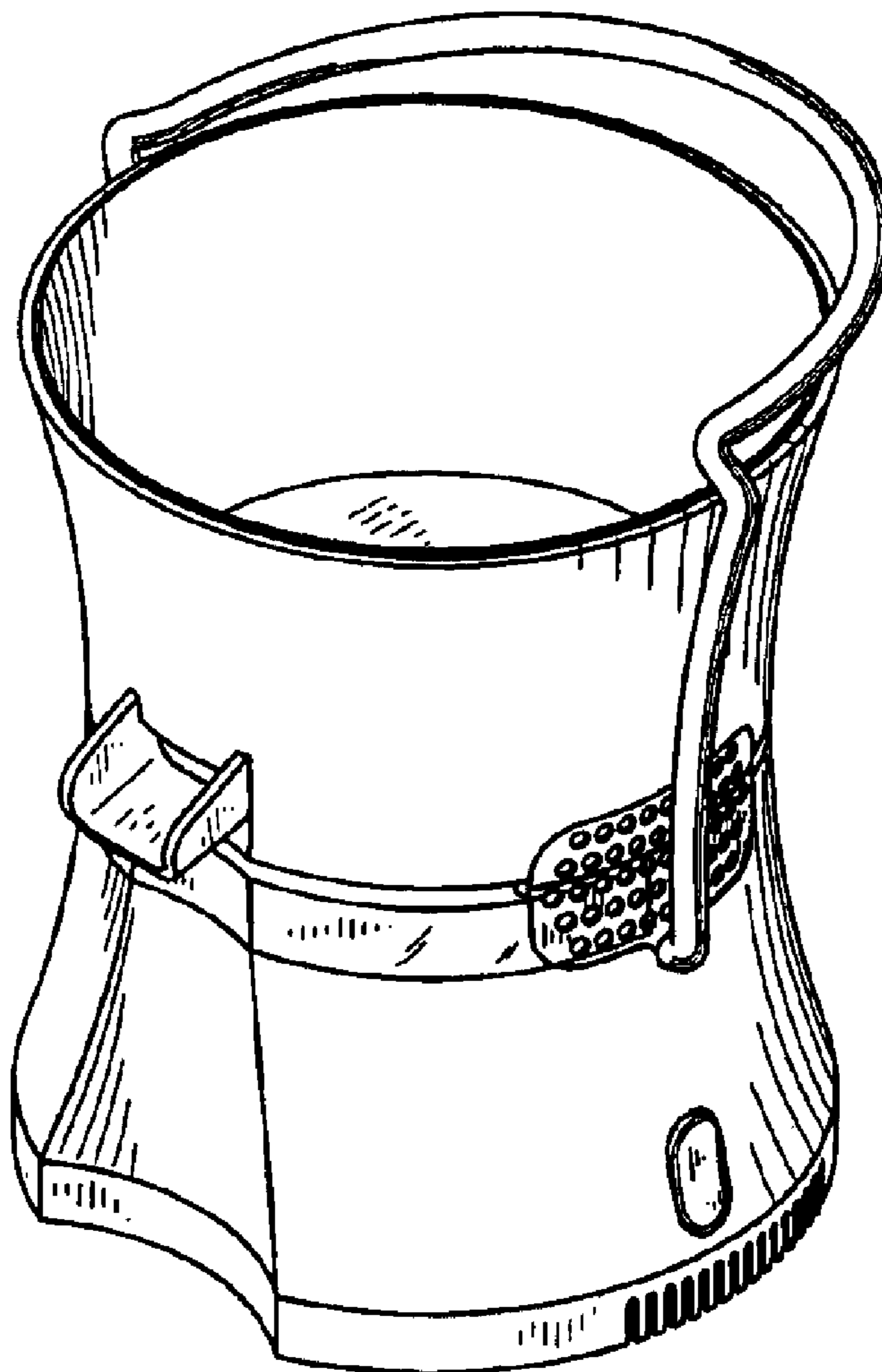
DESCRIPTION

FIG. 1 is a perspective view of the body of juice extractor showing my new design;
 FIG. 2 is a front view thereof;
 FIG. 3 is a rear view thereof;
 FIG. 4 is a left side view thereof;
 FIG. 5 is a right side view thereof;
 FIG. 6 is a top plan view thereof; and,
 FIG. 7 is a bottom plan view thereof.

(56) **References Cited**
U.S. PATENT DOCUMENTS

- D227,971 S * 7/1973 Weiss D7/665

1 Claim, 4 Drawing Sheets



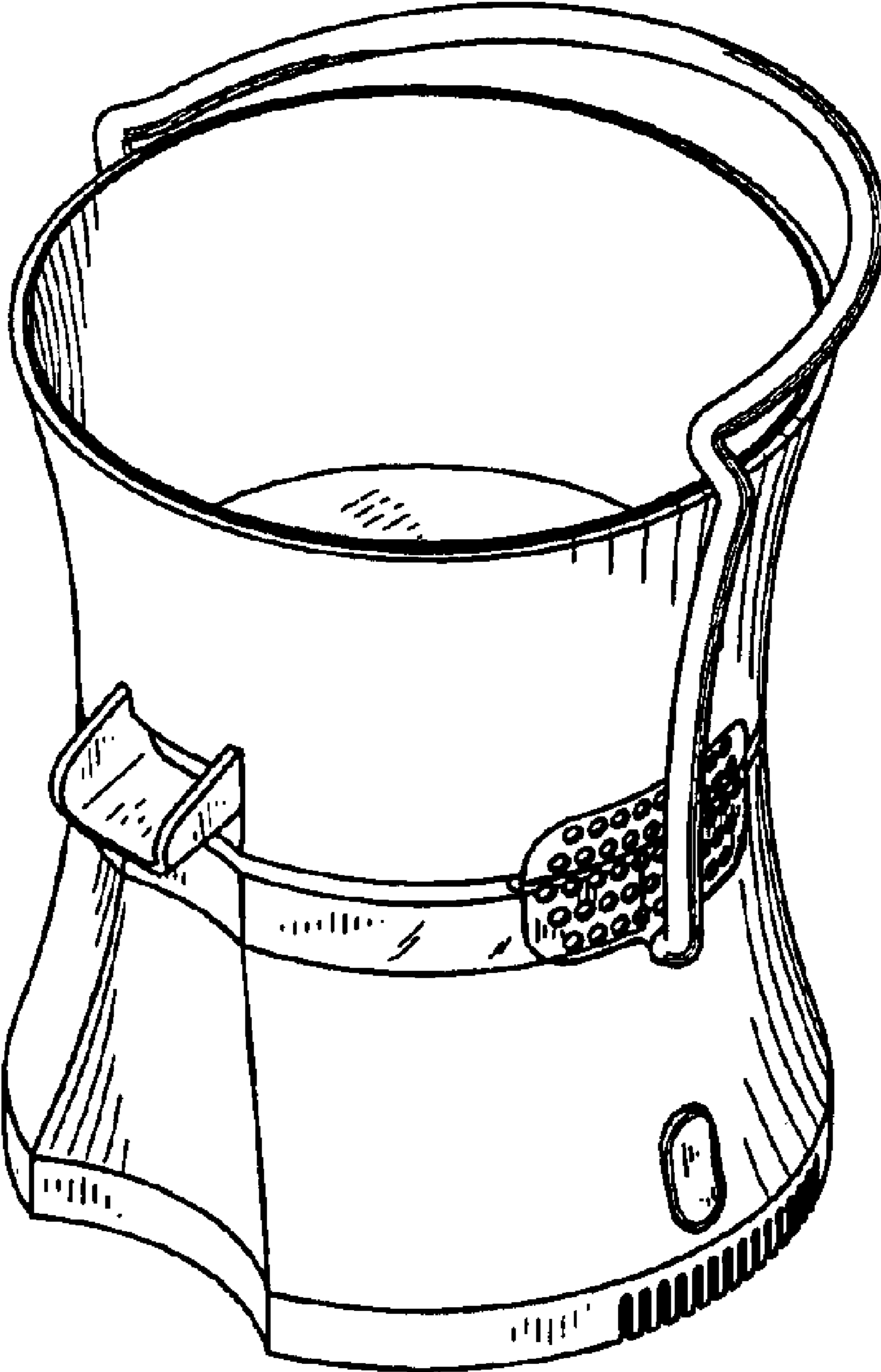


FIG. 1

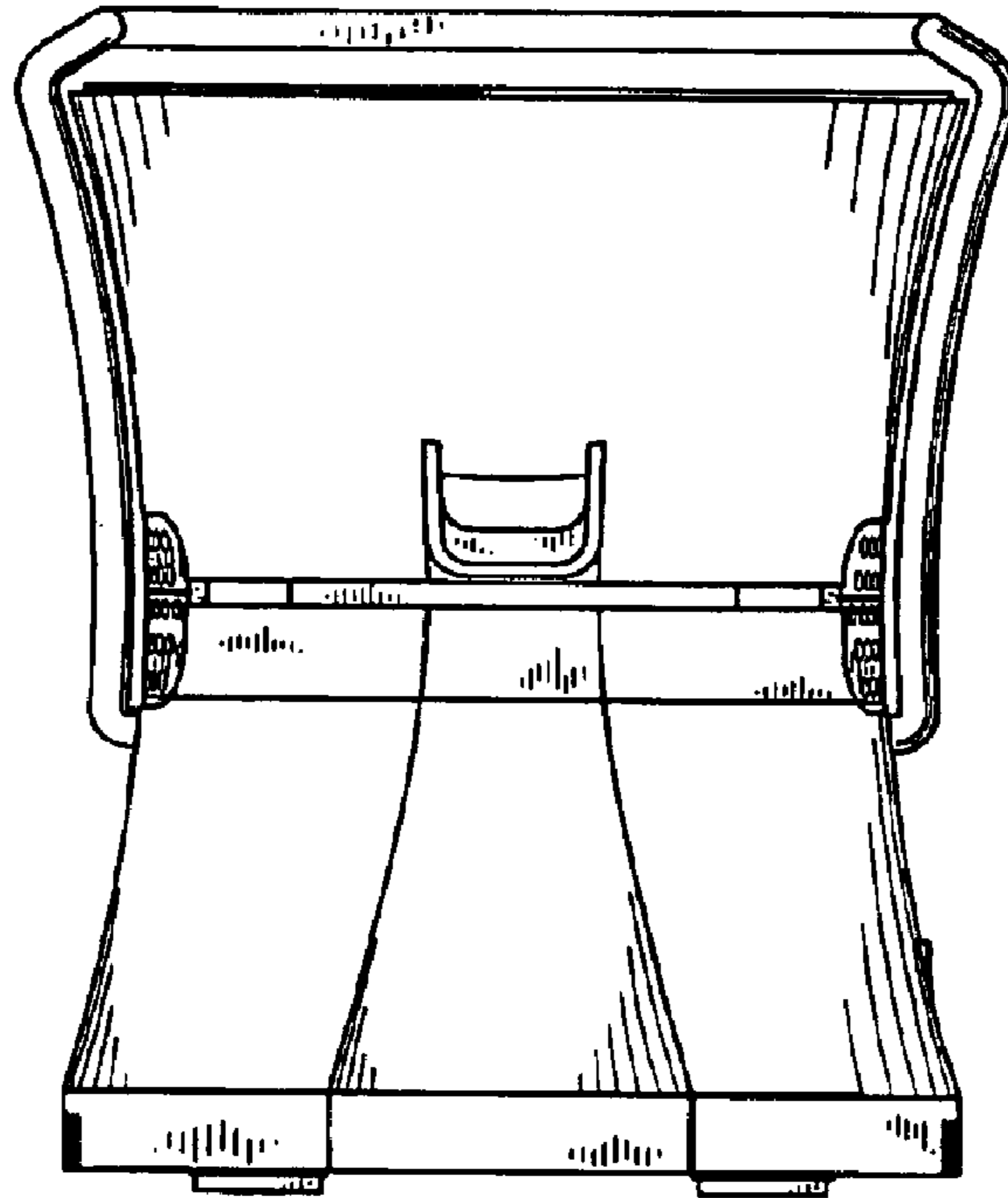


FIG. 2

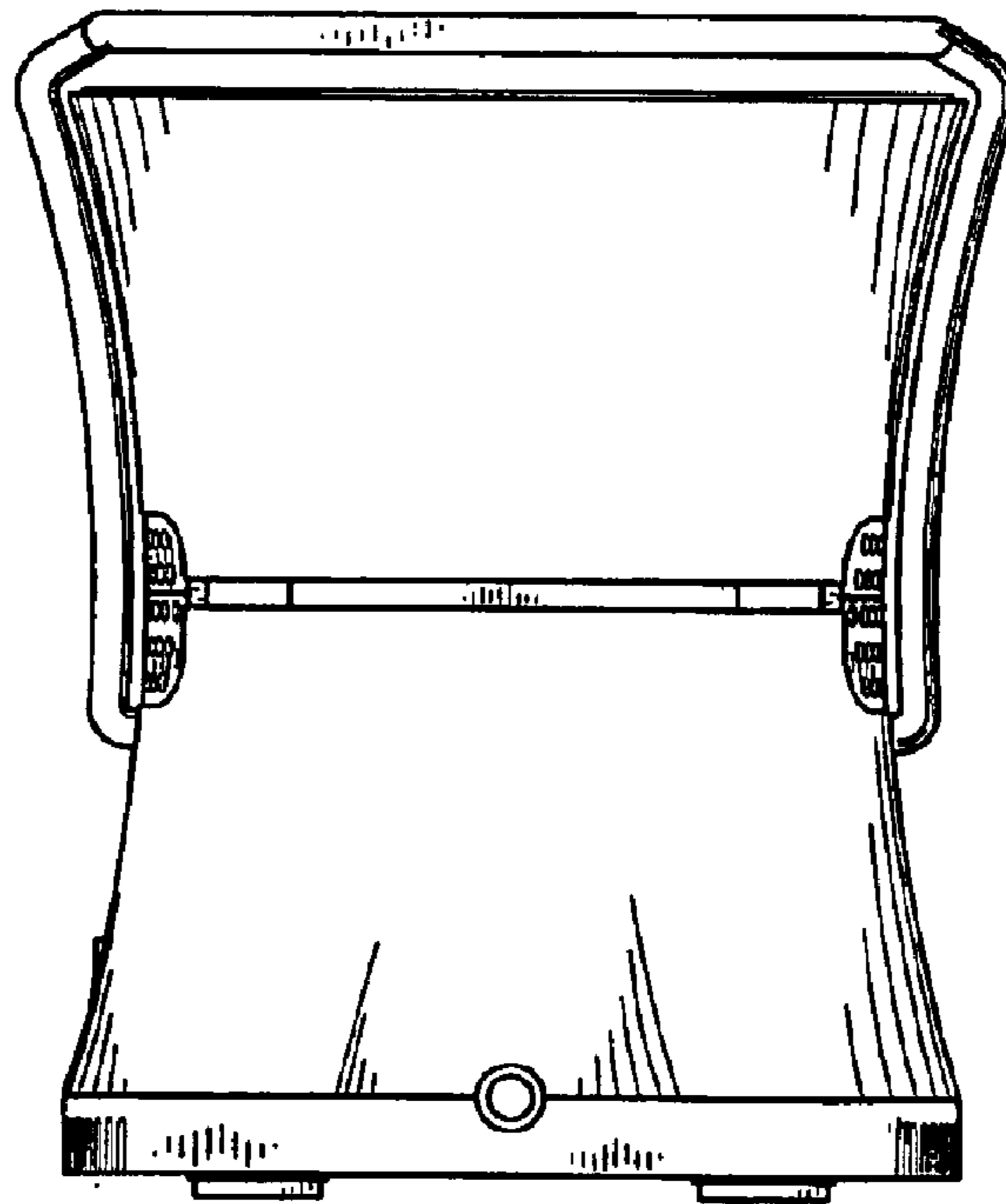


FIG. 3

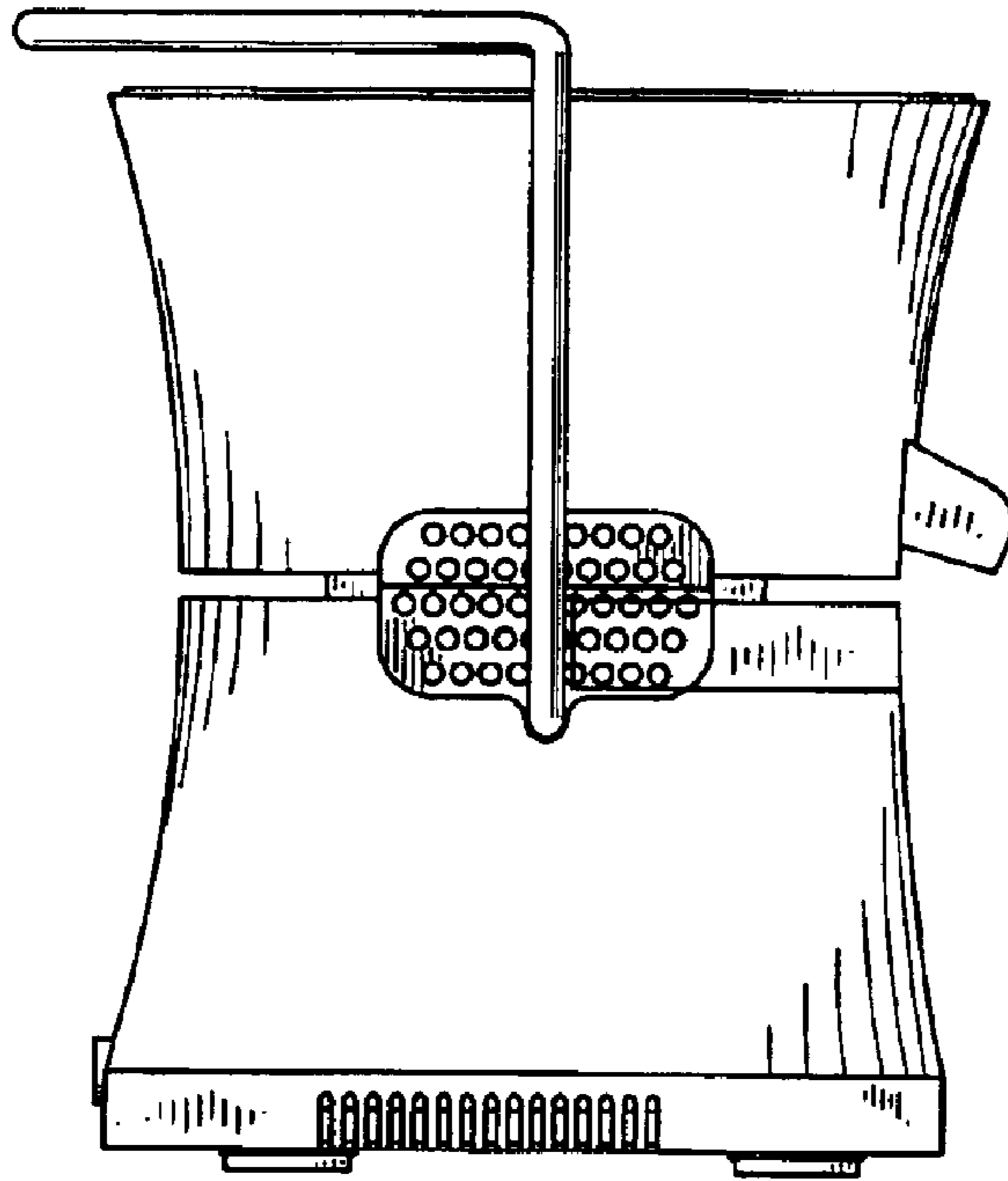


FIG. 4

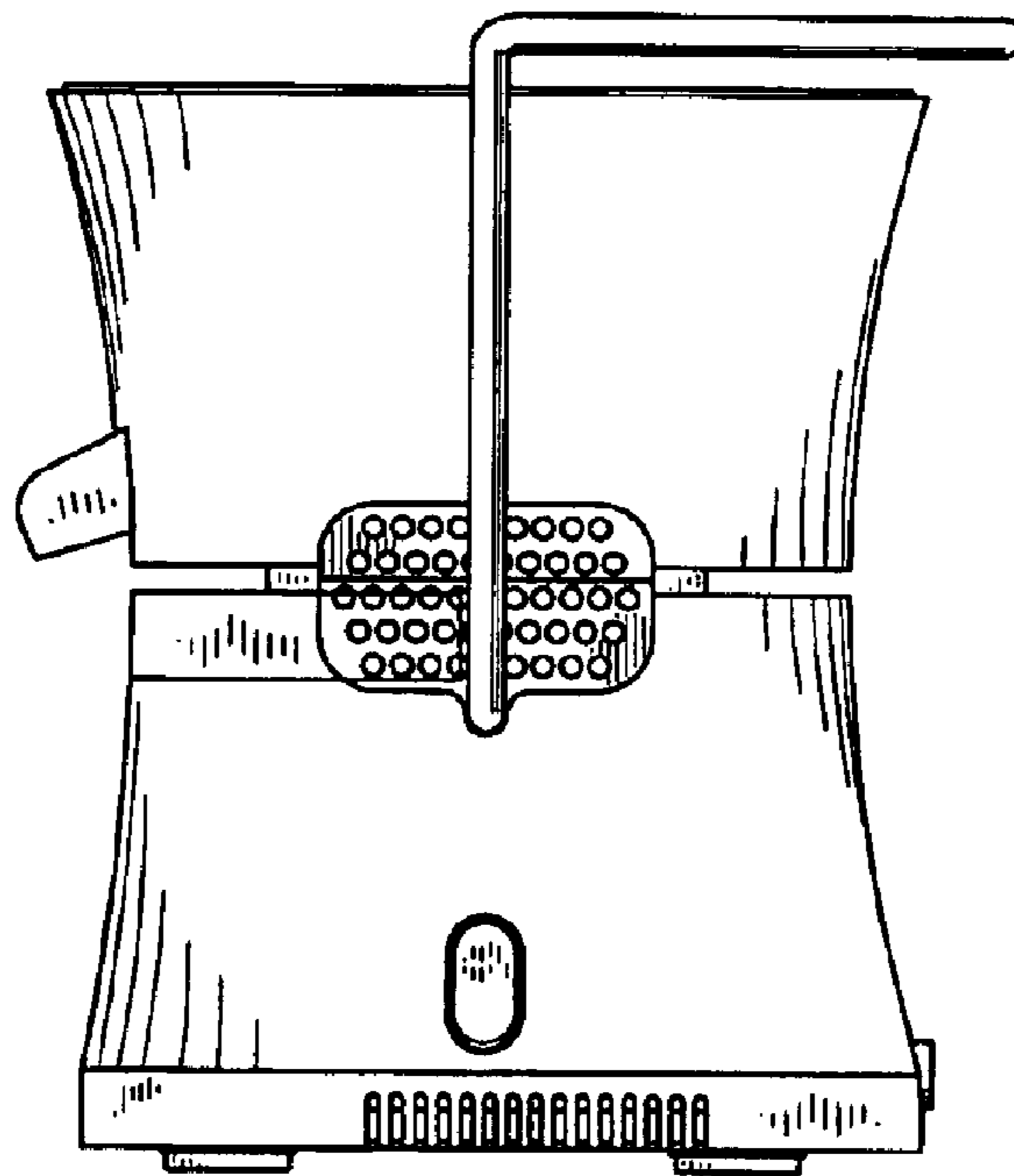


FIG. 5

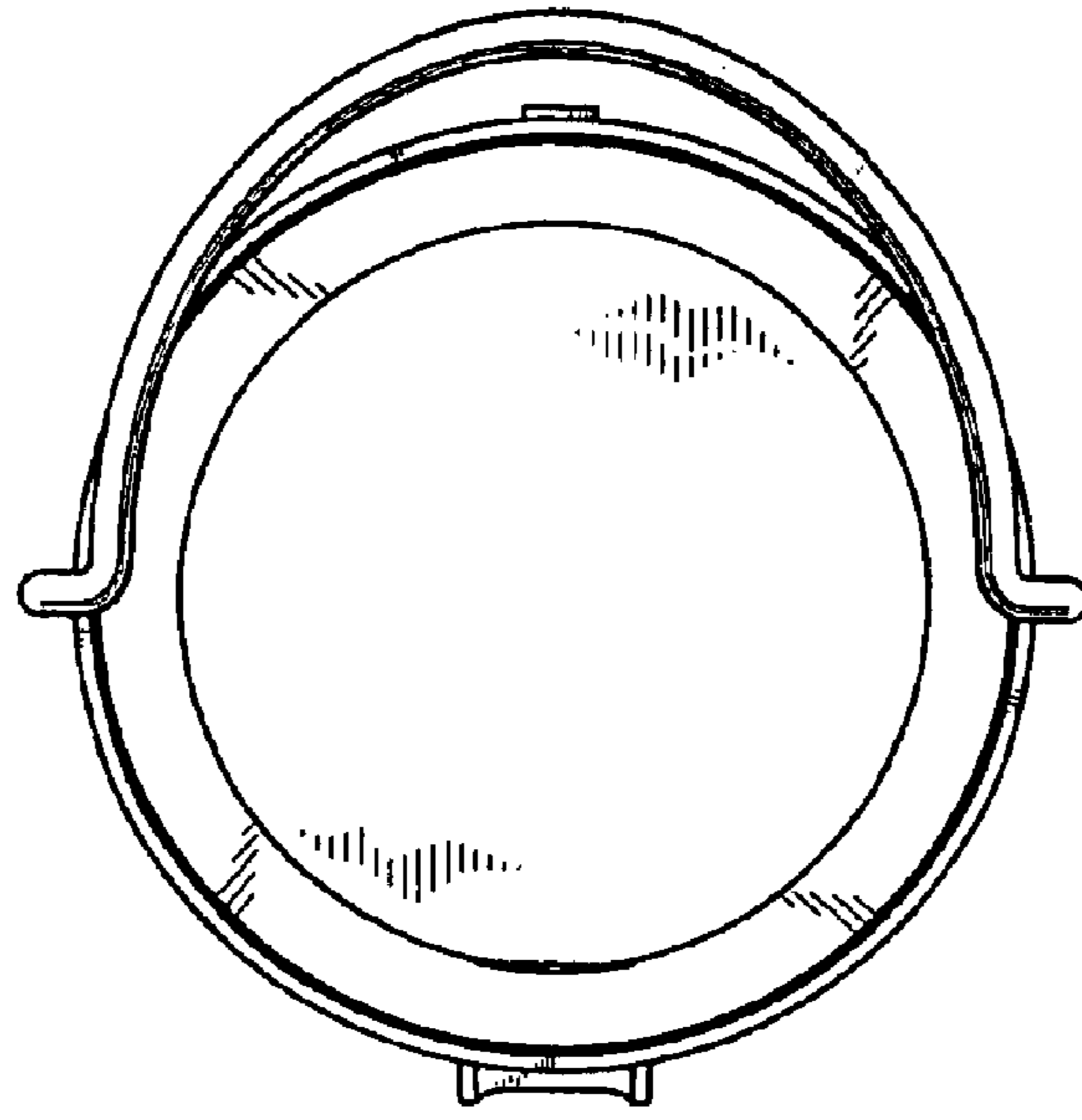


FIG. 6

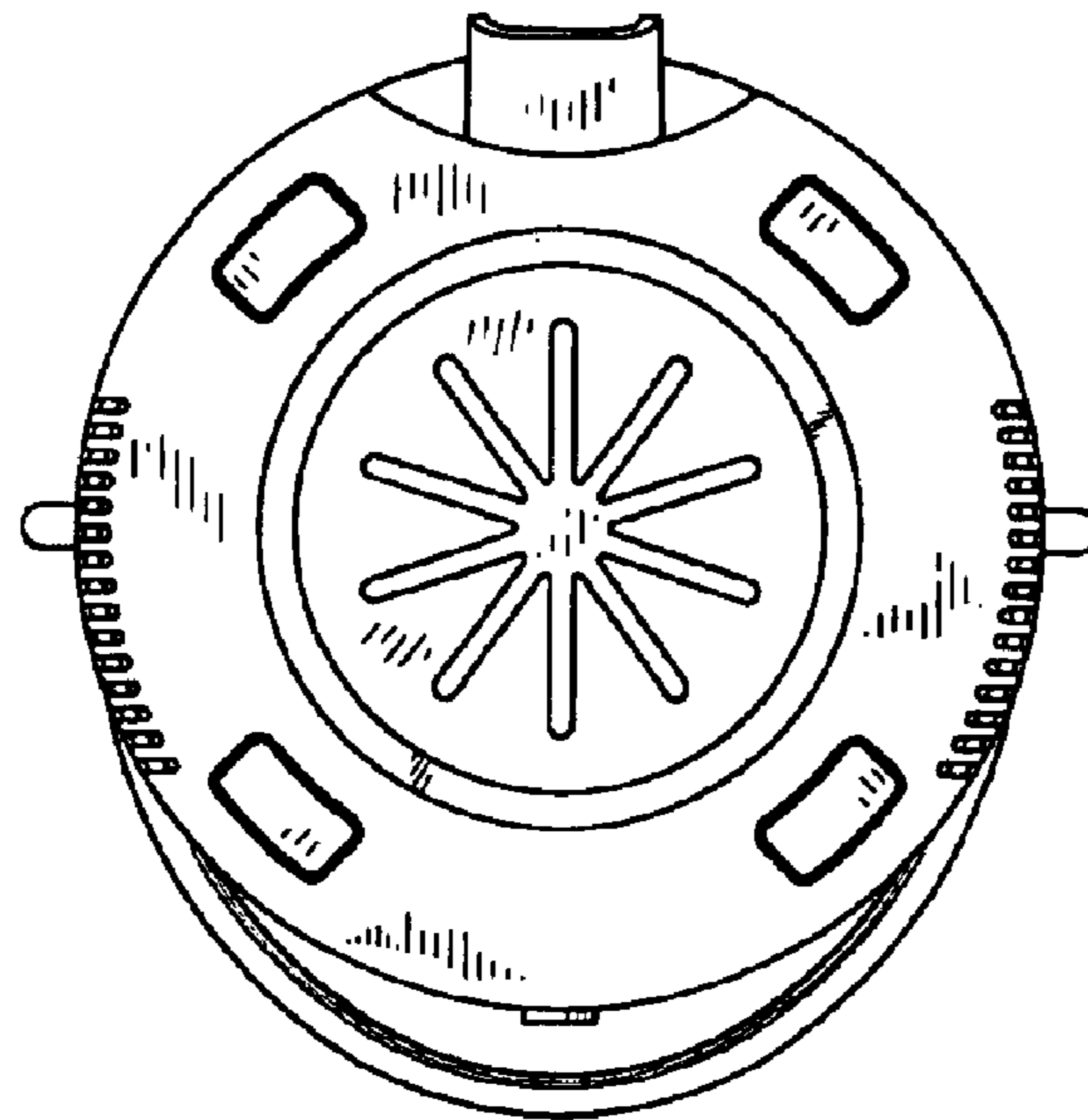


FIG. 7