



US00D506901S

(12) **United States Design Patent**
Thauern

(10) **Patent No.:** **US D506,901 S**

(45) **Date of Patent:** **** Jul. 5, 2005**

(54) **WATER COOLER**

D463,194 S * 9/2002 Busick et al. D7/313
D482,227 S * 11/2003 Walton D7/306

(75) Inventor: **Christoph Thauern, Essen (DE)**

* cited by examiner

(73) Assignee: **Gerolsteiner Brunnen GmbH & Co. KG (DE)**

Primary Examiner—M. N. Pandozzi
(74) *Attorney, Agent, or Firm*—Robert W Becker & Associates; Robert W Becker

(**) Term: **14 Years**

(57) **CLAIM**

(21) Appl. No.: **29/210,458**

The ornamental design for a water cooler, as shown and described.

(22) Filed: **Jul. 30, 2004**

(30) **Foreign Application Priority Data**

DESCRIPTION

Jan. 30, 2004 (EP) 000128806-0002
Jan. 30, 2004 (EP) 000128806-0003
Jan. 30, 2004 (EP) 000128806-0001

FIG. 1 is a perspective view showing one embodiment of my water cooler;
FIG. 2 is a front view thereof;
FIG. 3 is a back view thereof;
FIG. 4 is a right side view thereof;
FIG. 5 is a left side view thereof;
FIG. 6 is a top view thereof;
FIG. 7 is a perspective view thereof with a single cup holder in broken line;
FIG. 8 is a perspective view thereof with a dual cup holder in broken line;
FIG. 9 is a perspective view thereof with the doors open in broken line;
FIG. 10 is a perspective view of a water cooler showing my new design; and,
FIG. 11 is a perspective view of the first embodiment with a shortened base in broken line.
The broken lines in the drawings are for illustrative purposes only and form no part of the claimed design.

(51) **LOC (8) Cl.** **07-01**

(52) **U.S. Cl.** **D7/397; D7/306**

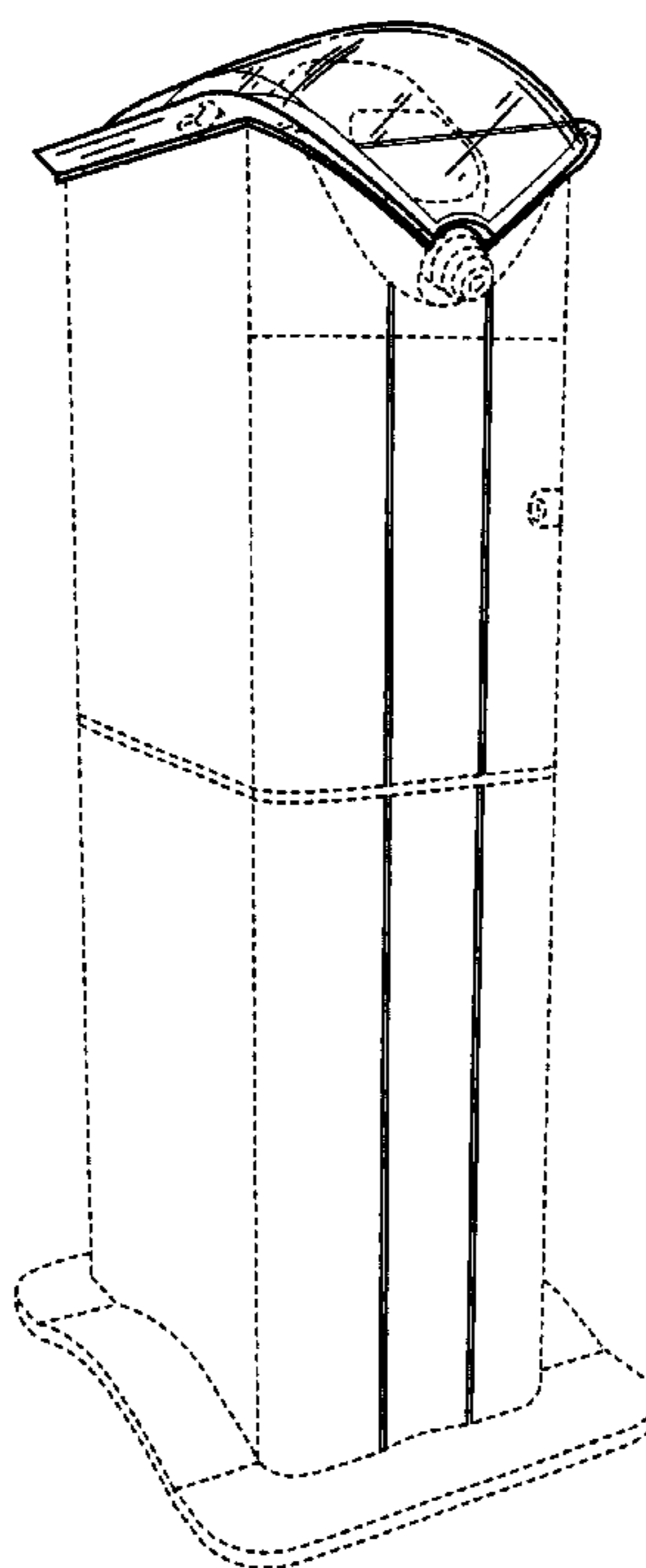
(58) **Field of Search** D7/313, 306, 307,
D7/308, 397, 398, 305, 311; 222/129, 129.1,
129.2, 189.09, 144.5, 1; 210/806; 141/346;
194/317; D20/1; D6/527

(56) **References Cited**

U.S. PATENT DOCUMENTS

D154,198 S * 6/1949 Emerson D20/1
D191,654 S * 10/1961 Hodgman D7/308
3,934,759 A * 1/1976 Giannelle et al. 222/129.1
D254,109 S * 2/1980 Price D6/527
D271,271 S * 11/1983 Austin et al. D7/398
D341,746 S * 11/1993 Stillson D7/306
D349,830 S * 8/1994 Barr et al. D7/306
D350,868 S * 9/1994 Newman D7/305

1 Claim, 9 Drawing Sheets



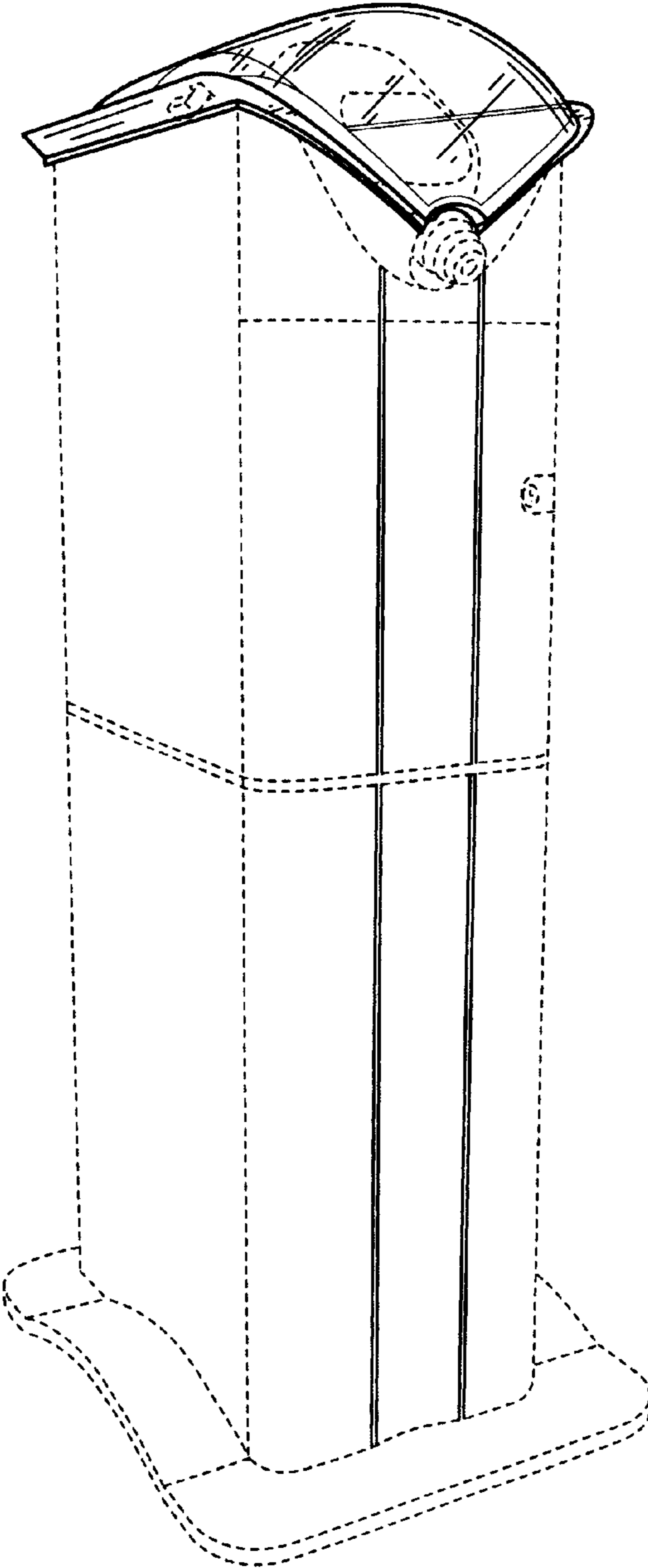


FIG.1

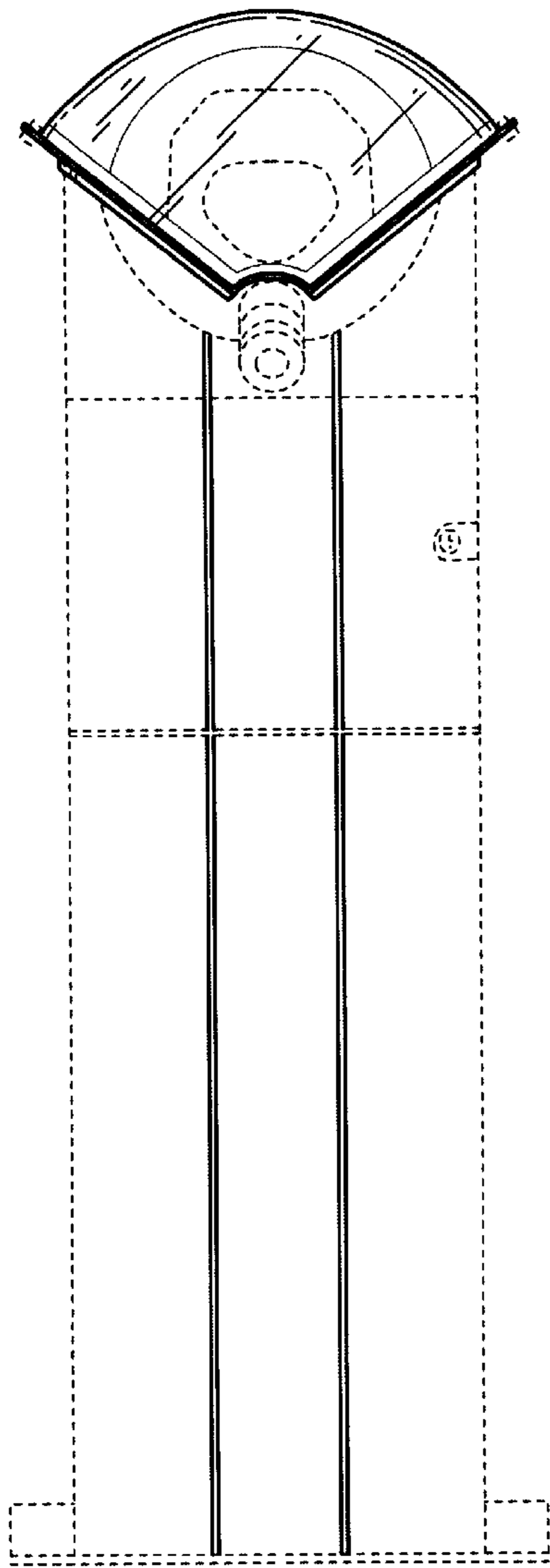


FIG.2

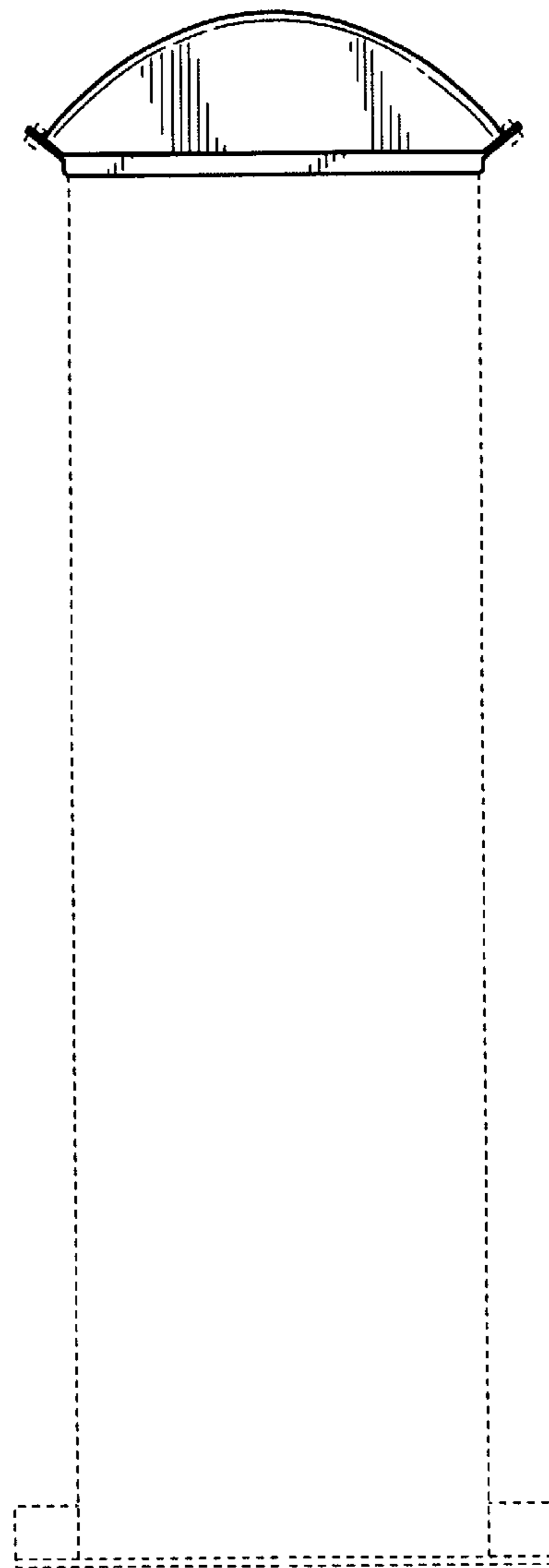


FIG.3

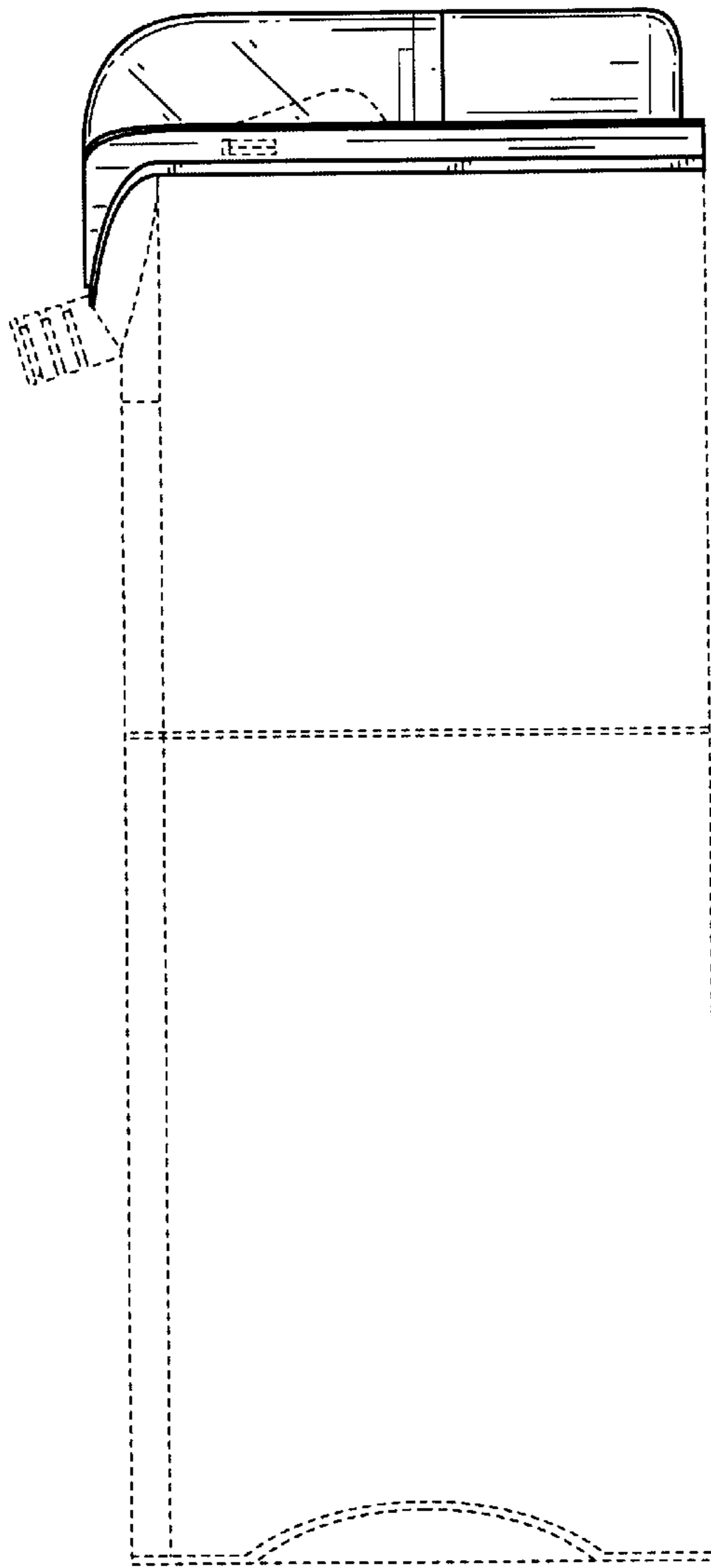


FIG.4

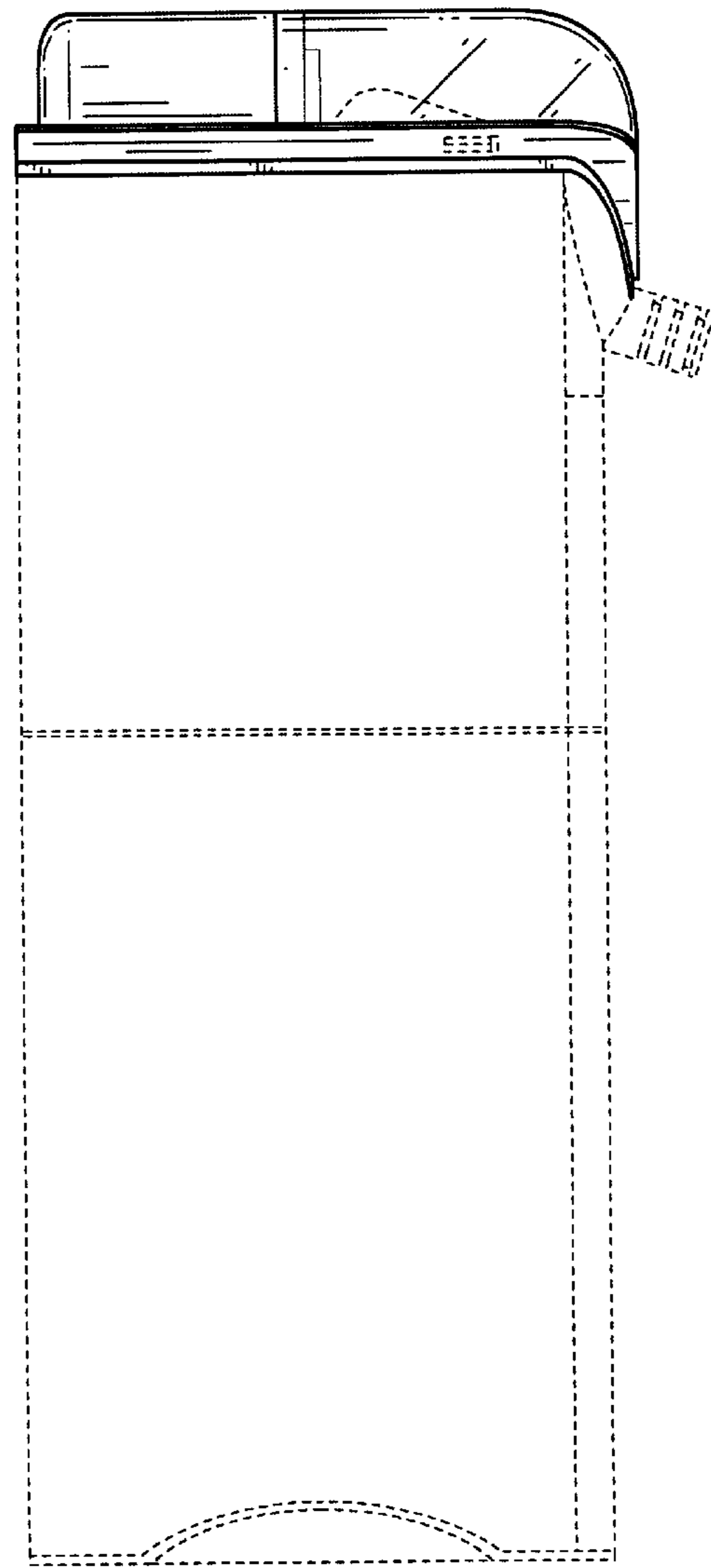


FIG.5

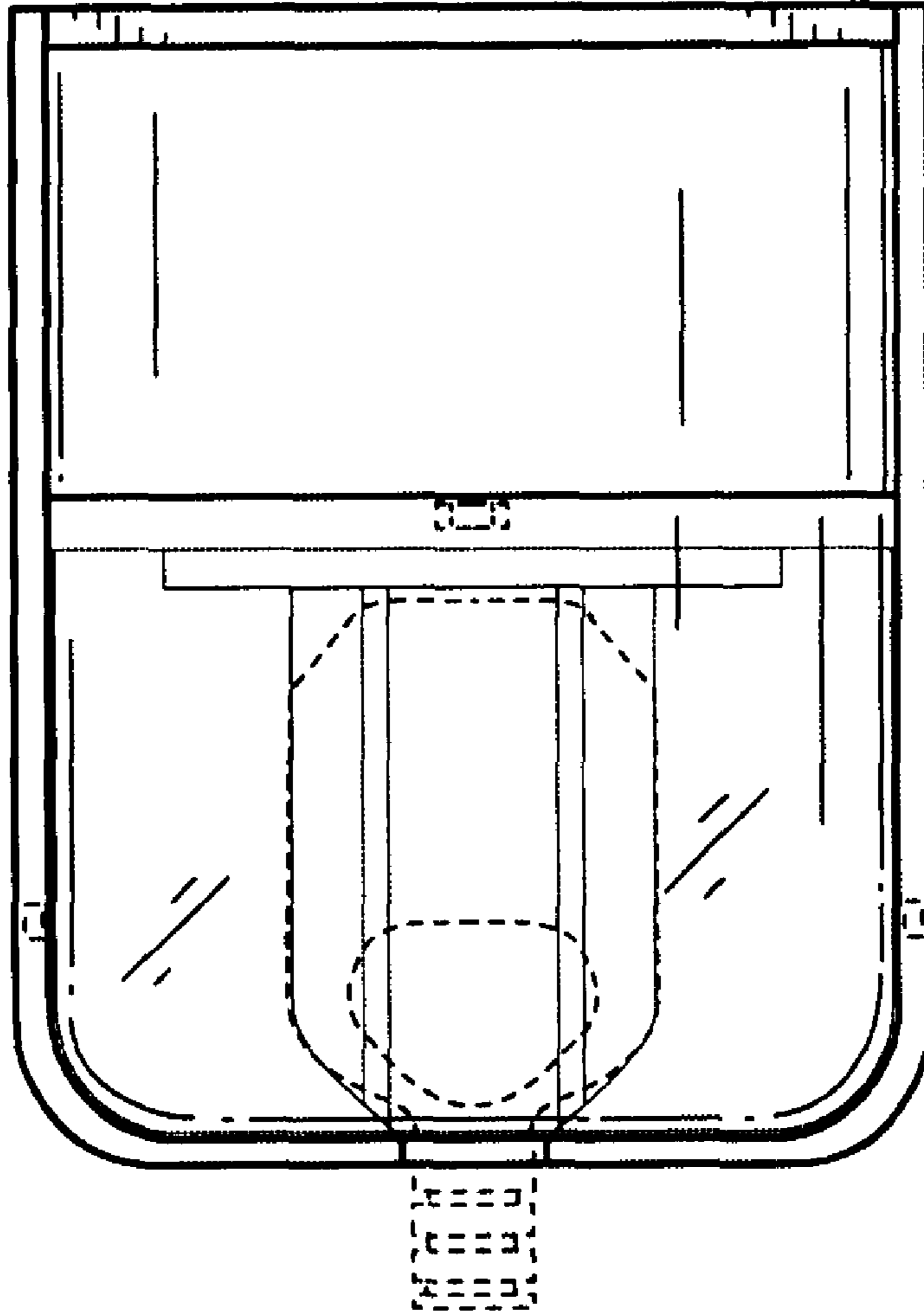


FIG.6

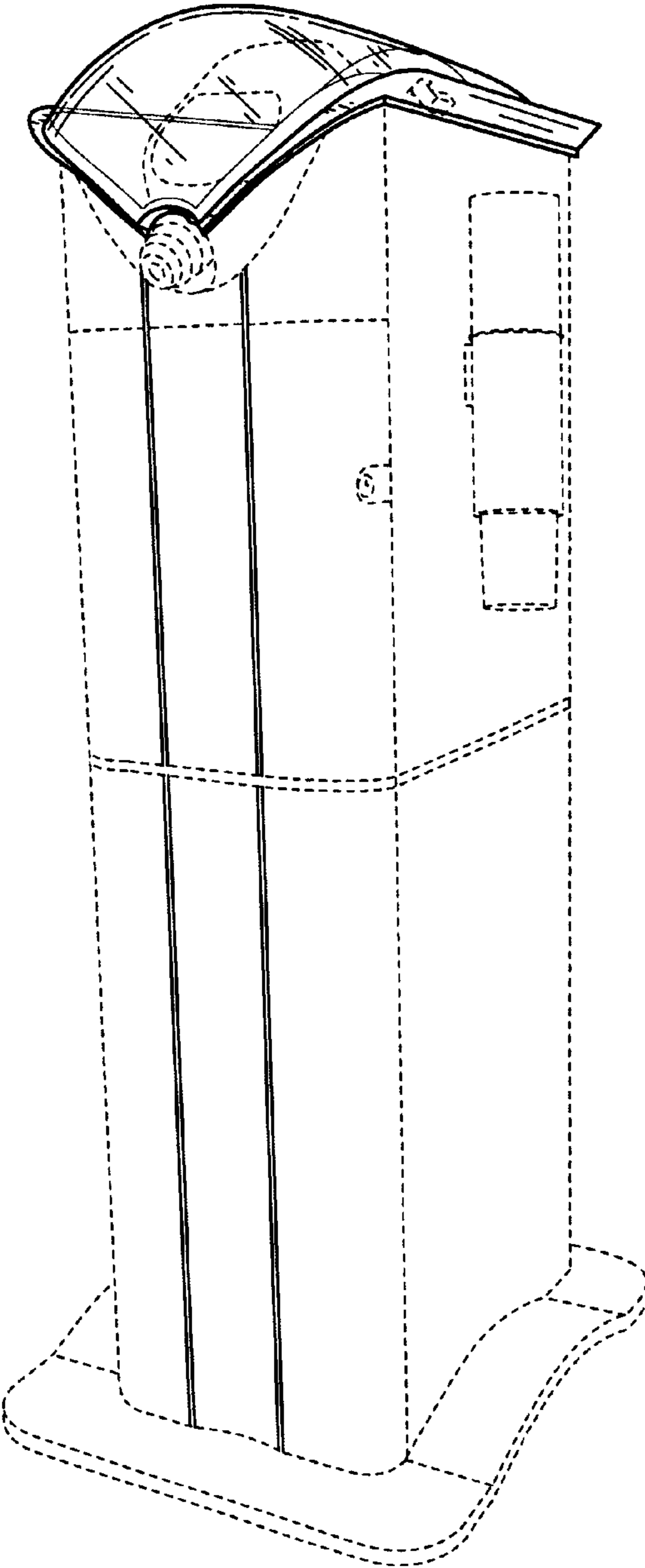


FIG.7

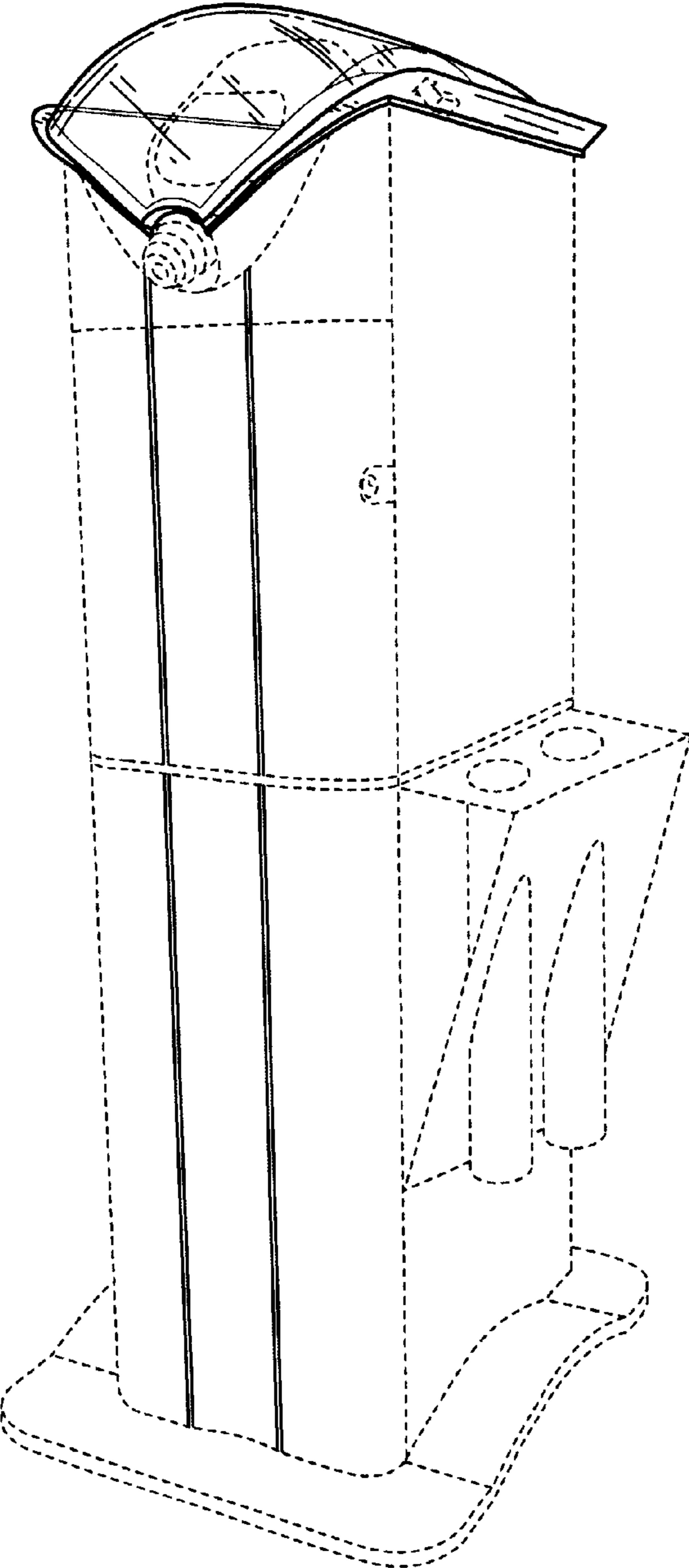


FIG.8

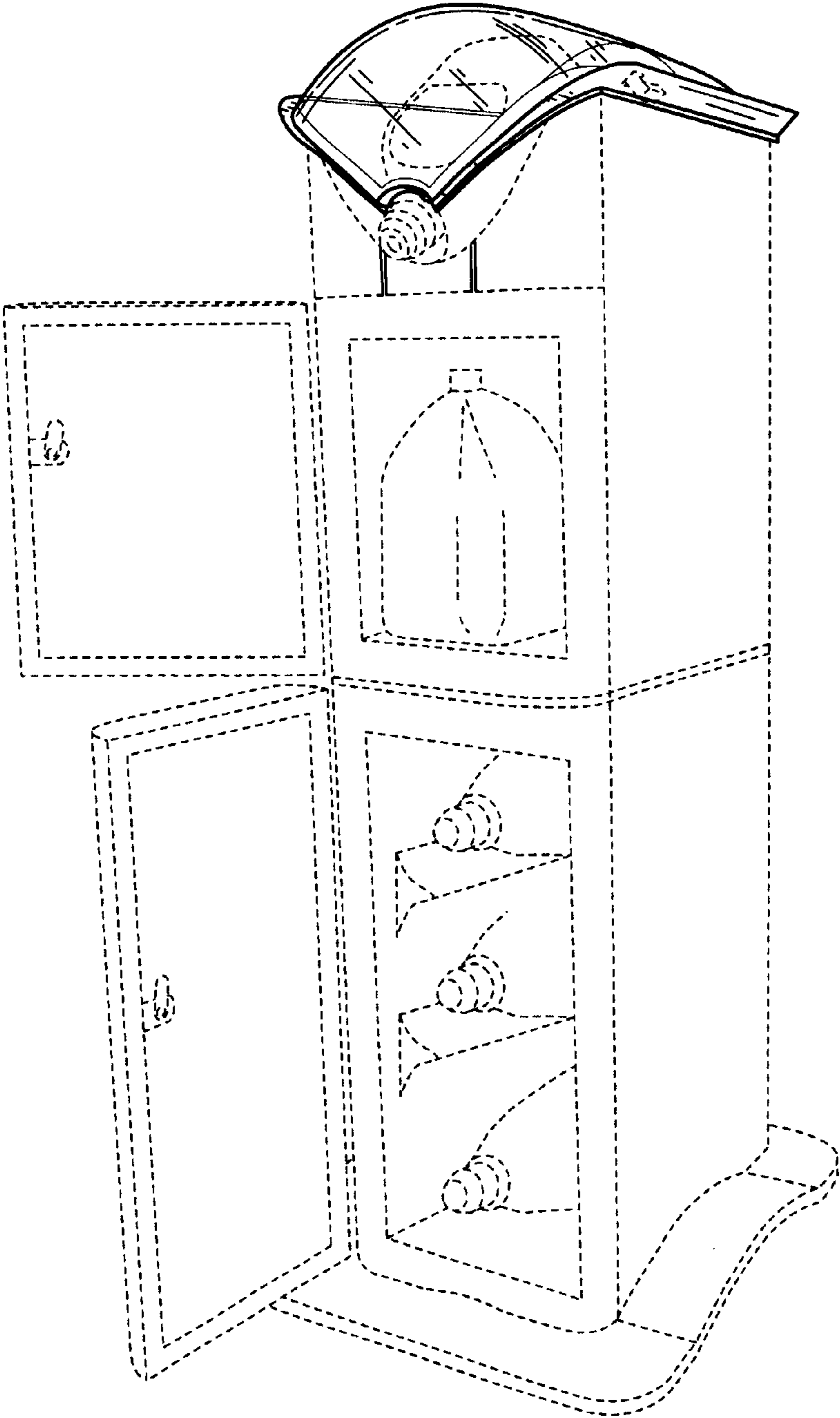


FIG.9

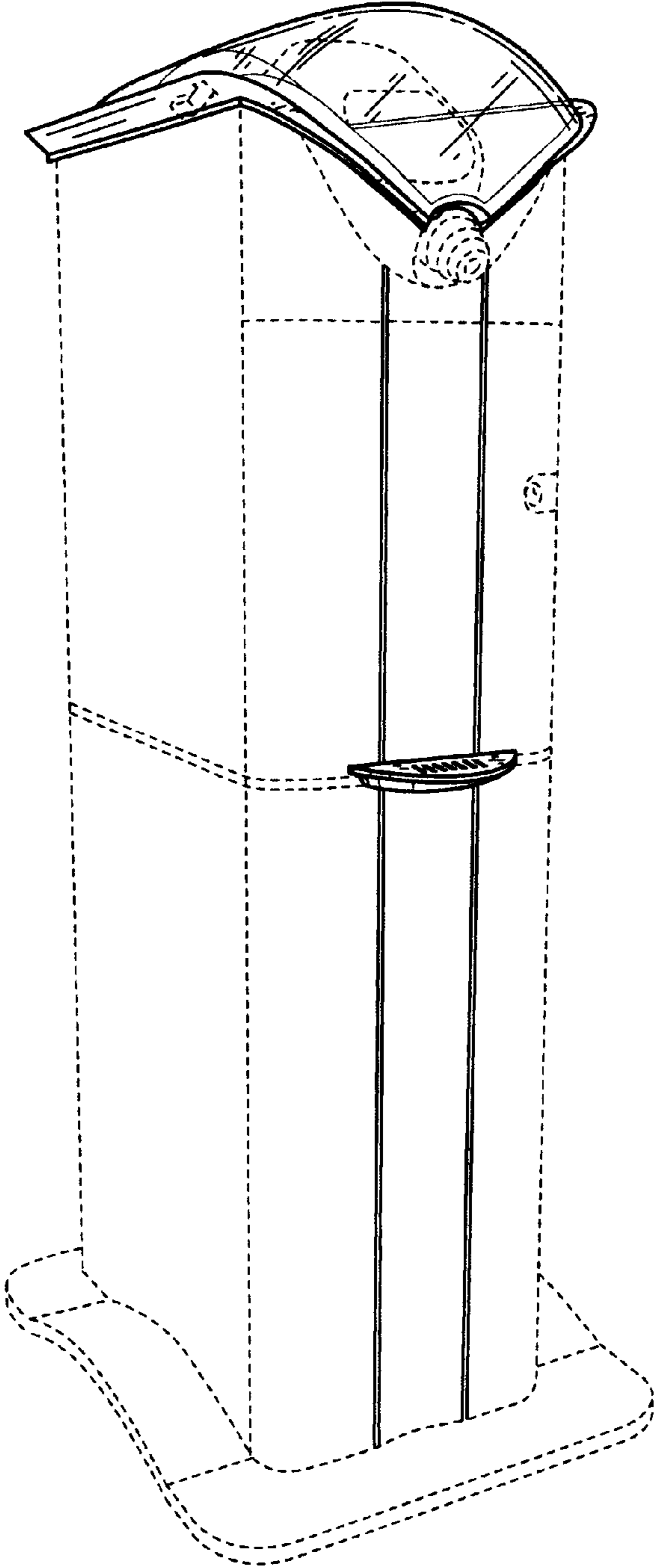


FIG.10

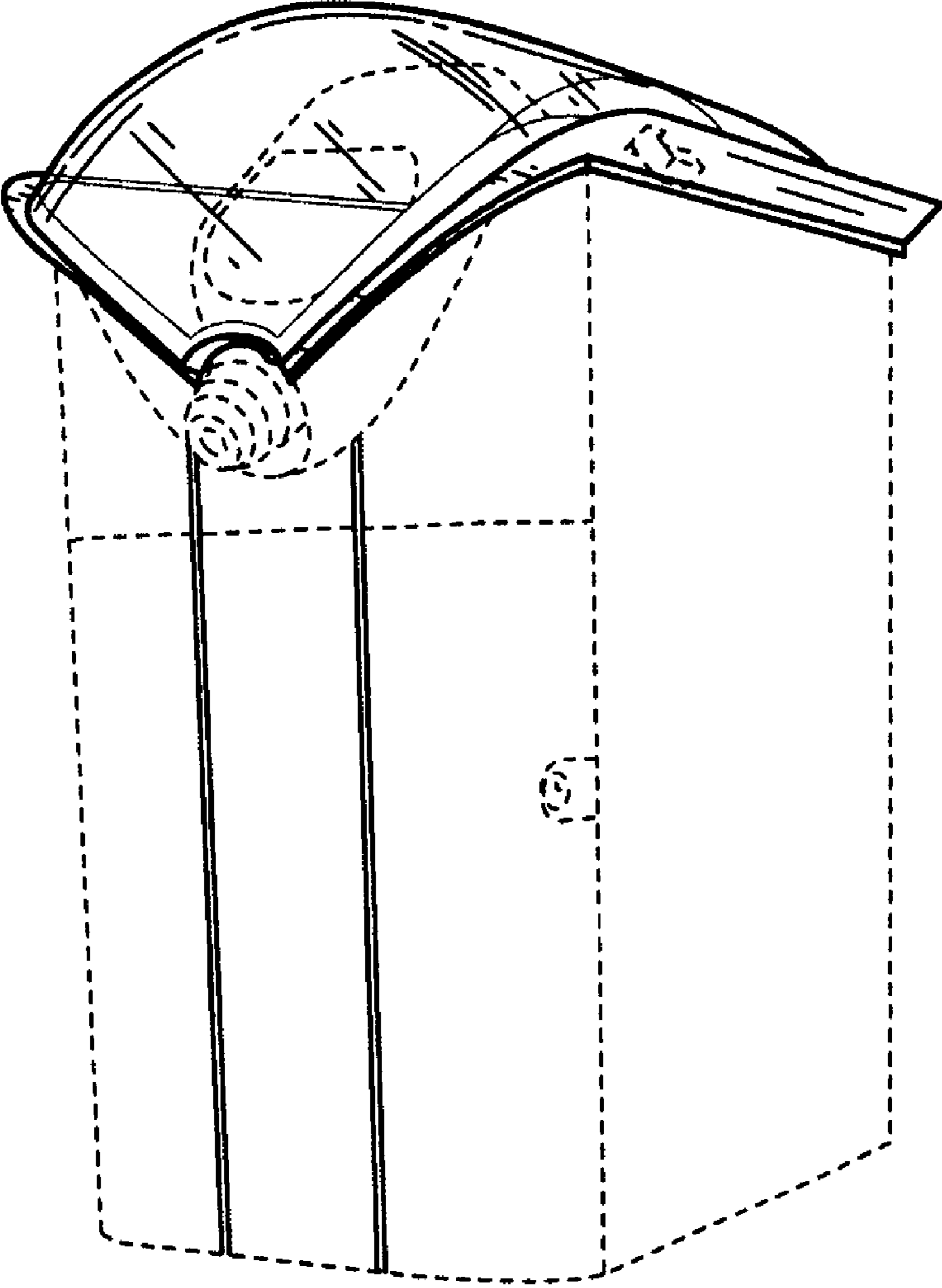


FIG.11