

US00D506900S

(12) **United States Design Patent**  
**Barnard, III et al.**

(10) **Patent No.: US D506,900 S**  
(45) **Date of Patent: \*\* Jul. 5, 2005**

(54) **COOKING PLANK WITH STOCK CAR IMAGE**

(75) Inventors: **Randolph Hundley Barnard, III**,  
Rockford, MI (US); **John Patrick Rich, III**,  
Belmont, MI (US)

(73) Assignee: **Great Lakes Grilling Company**,  
Kentwood, MI (US)

(\*\*) Term: **14 Years**

(21) Appl. No.: **29/192,371**

(22) Filed: **Oct. 22, 2003**

(51) **LOC (8) Cl.** ..... **07-99**

(52) **U.S. Cl.** ..... **D7/354**

(58) **Field of Search** ..... D7/354-361, 699,  
D7/551.1, 901; D21/549-550; D1/113;  
473/579, 597-604; D20/11; 269/302.1,  
290

(56) **References Cited**

**U.S. PATENT DOCUMENTS**

D382,832 S	*	8/1997	Burris	.....	D11/112
D428,874 S	*	8/2000	White	.....	D14/207
D436,712 S	*	1/2001	Smith	.....	D1/113
D443,654 S	*	6/2001	Maruyama et al.	.....	D20/11
D469,826 S	*	2/2003	Prewitt	.....	D21/549

\* cited by examiner

*Primary Examiner*—Joel Sincavage  
*Assistant Examiner*—Maurice Stevens  
(74) *Attorney, Agent, or Firm*—McGarry Bair PC

(57) **CLAIM**

The ornamental design for a cooking plank with stock car image, as shown and described.

**DESCRIPTION**

FIG. 1 is a top plan view of the ornamental design for a first embodiment cooking plank with stock car image according to the invention;

FIG. 2 is a bottom plan view of the plank of FIG. 1;

FIG. 3 is a front side view of the plank of FIG. 1;

FIG. 4 is a rear side view of the plank of FIG. 1;

FIG. 5 is a left side view of the plank of FIG. 1;

FIG. 6 is a right side view of the plank of FIG. 1;

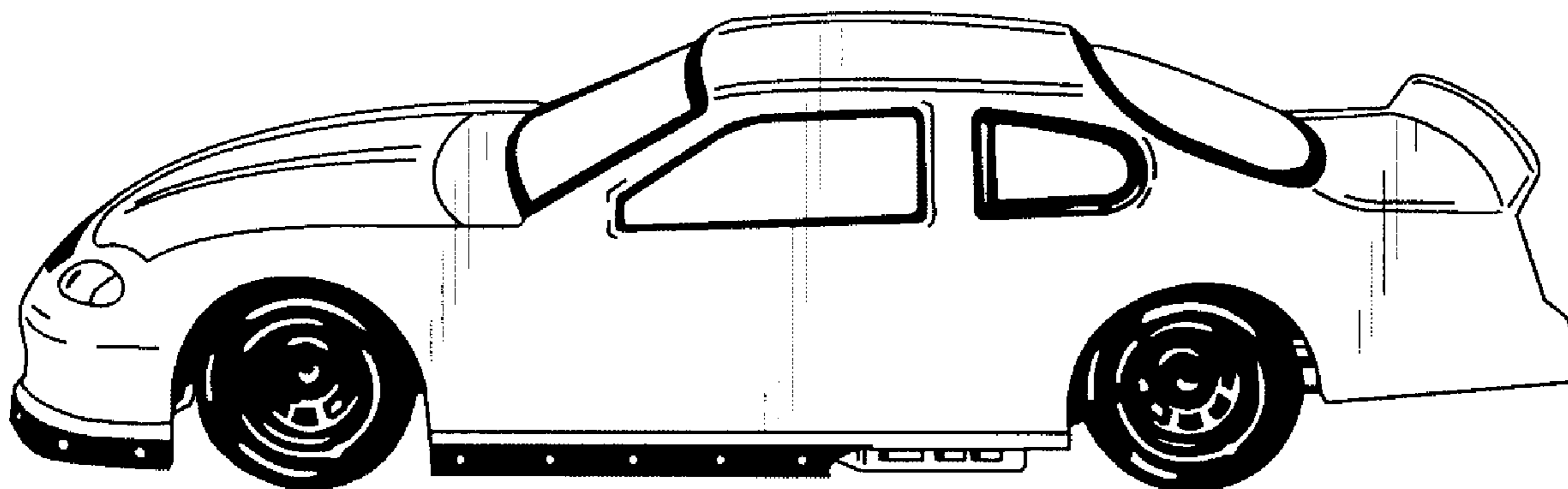
FIG. 7 is a top plan view of the ornamental design for a second embodiment cooking plank with stock car image according to the invention;

FIG. 8 is a bottom plan view of the plank of FIG. 7;

FIG. 9 is a front side view of the plank of FIG. 7, the rear side being a mirror image thereof; and,

FIG. 10 is a left side view of the plank of FIG. 7, the right side being a mirror image thereof.

**1 Claim, 4 Drawing Sheets**



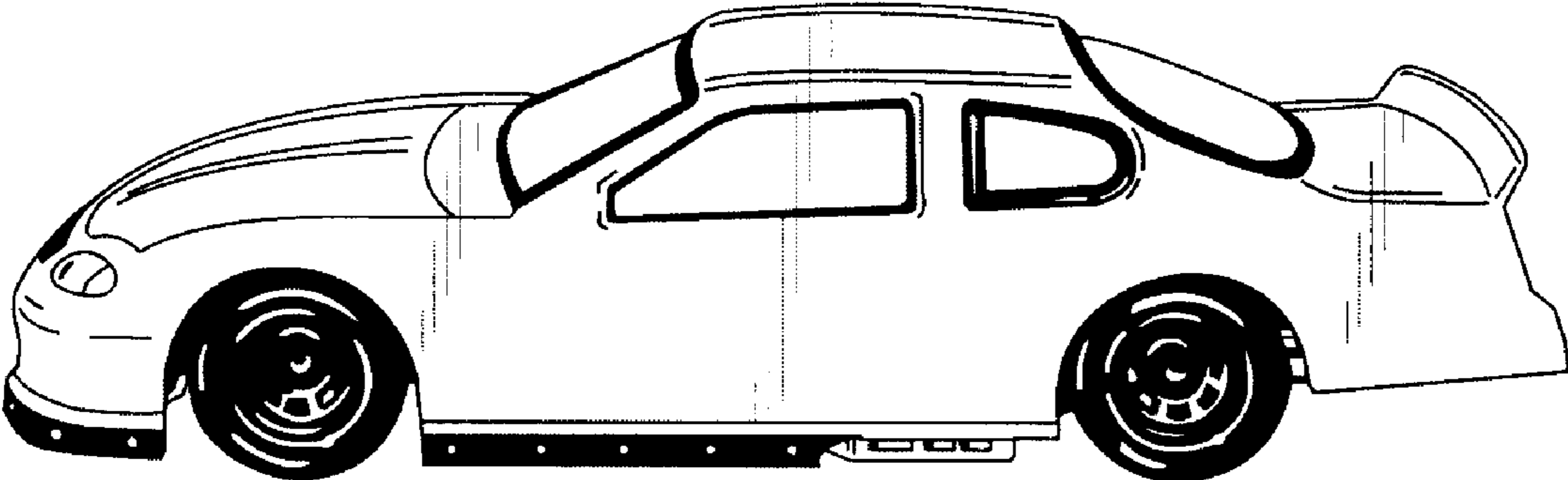


Fig. 1

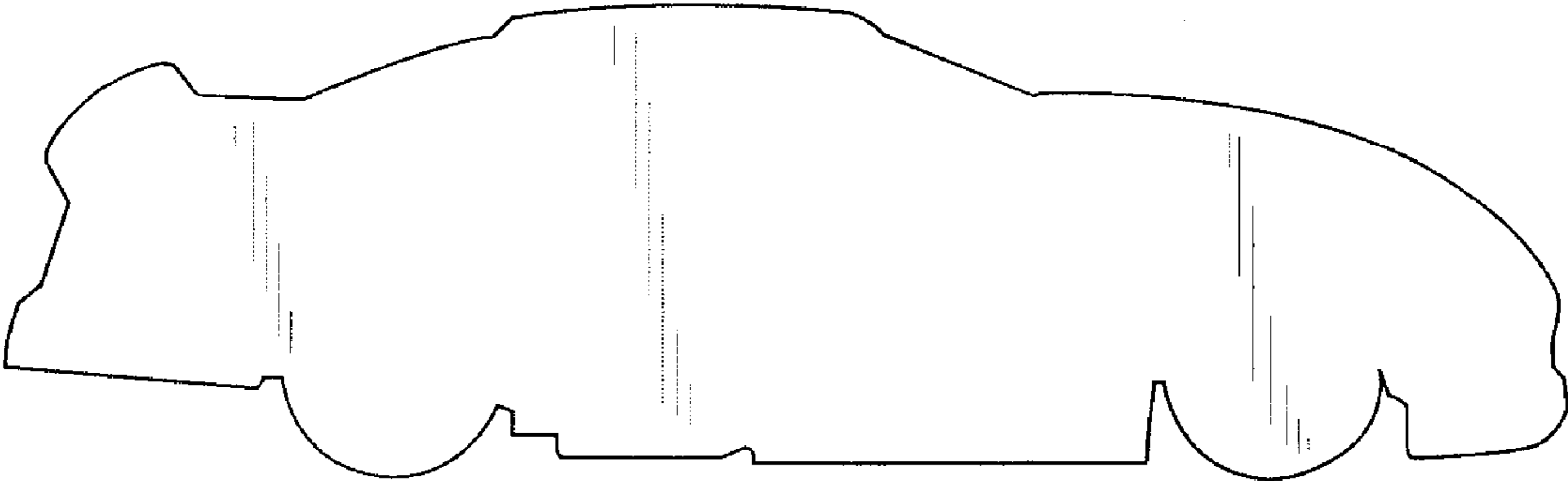
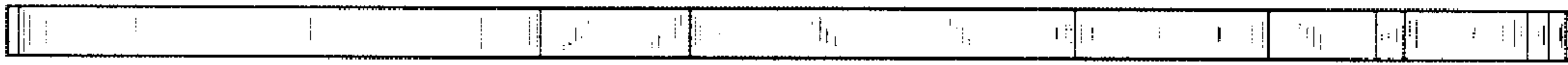


Fig. 2



**Fig. 3**



**Fig. 4**



**Fig. 5**



**Fig. 6**

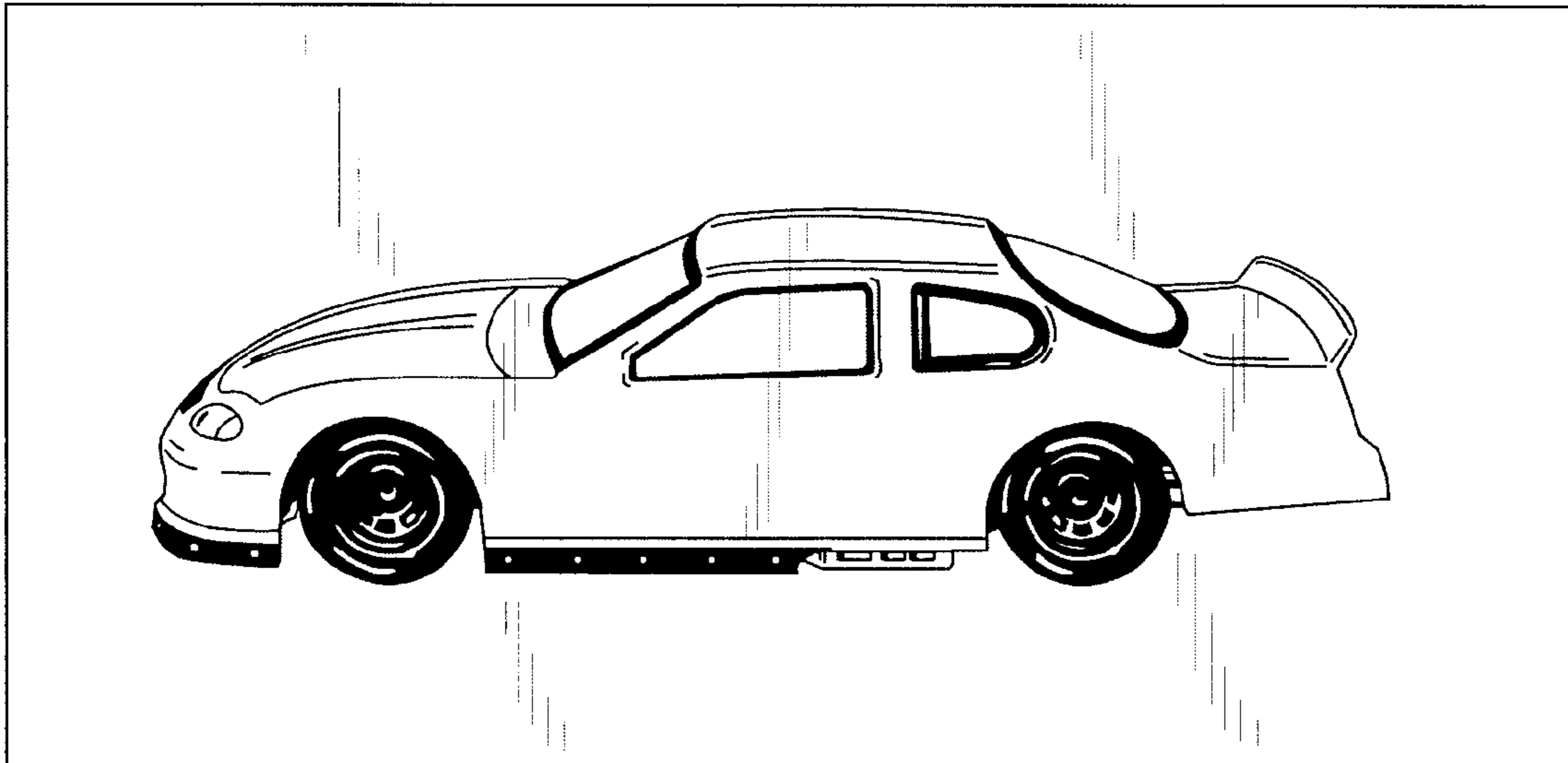


Fig. 7

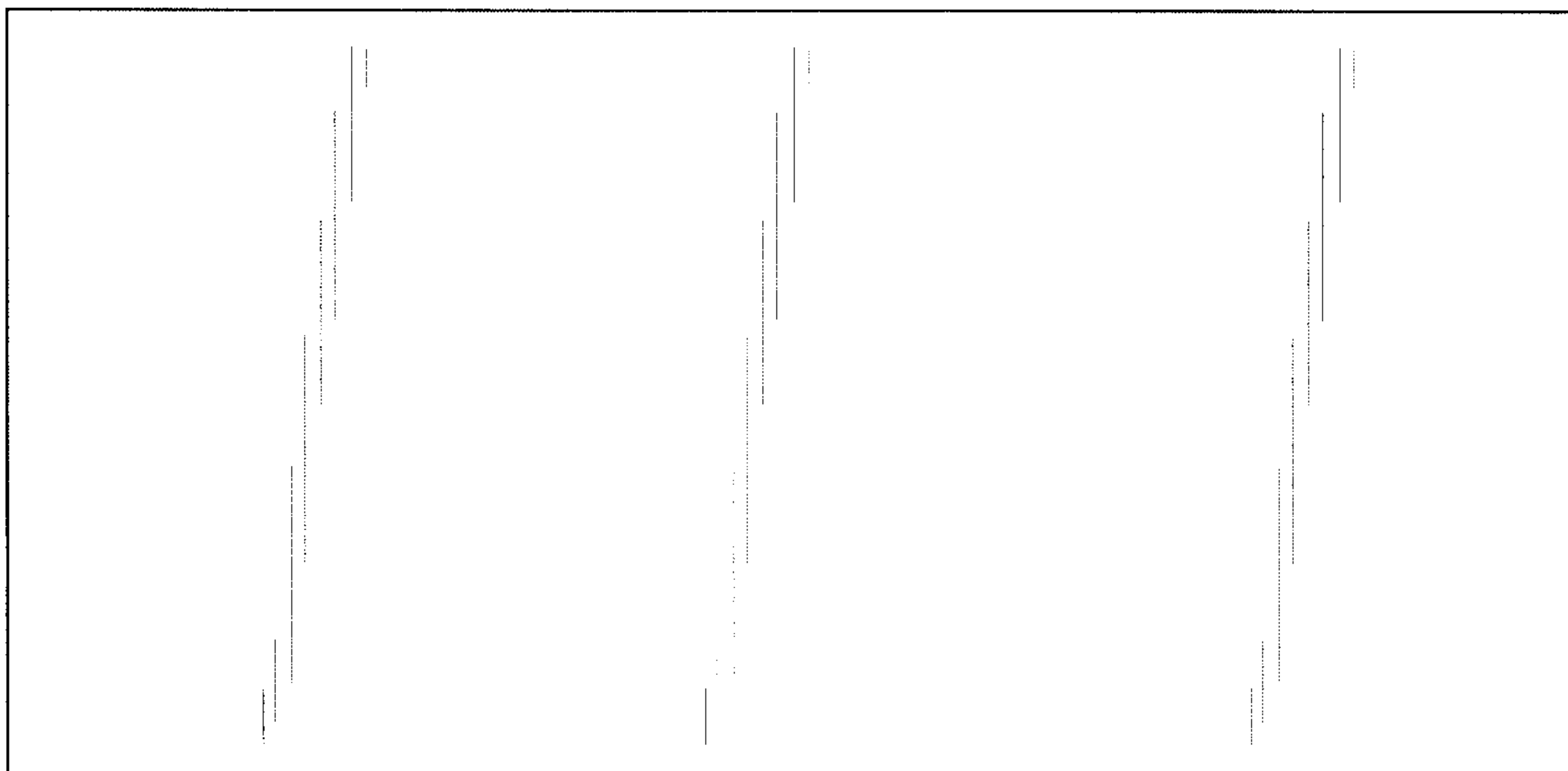
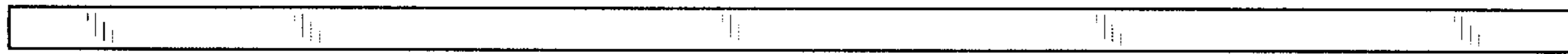
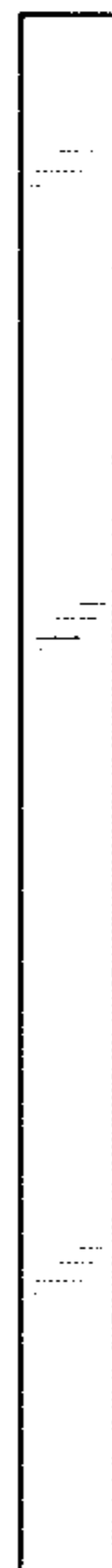


Fig. 8



**Fig. 9**



**Fig. 10**