

US00D506899S

(12) **United States Design Patent**
Maddux

(10) **Patent No.: US D506,899 S**
(45) **Date of Patent: ** *Jul. 5, 2005**

(54) **SHEET TOWEL HOLDER AND WATER DISPENSER**

(75) Inventor: **Larry Maddux**, Westminster, CA (US)

(73) Assignee: **Cambro Manufacturing Co.**,
Huntington Beach, CA (US)

(*) Notice: This patent is subject to a terminal disclaimer.

(**) Term: **14 Years**

(21) Appl. No.: **29/209,538**

(22) Filed: **Jul. 15, 2004**

(51) **LOC (8) Cl. 07-01**

(52) **U.S. Cl. D7/305; D7/306; D7/313**

(58) **Field of Search** D7/306, 313, 307,
D7/308, 300, 305, 309, 311, 304; D6/455,
518, 521, 522, 520, 519; D23/207; D15/80;
141/1; 99/305; 366/149; 222/185.1, 183,
129.1, 146.6; 242/597.7, 423.2

(56) **References Cited**

U.S. PATENT DOCUMENTS

D198,597 S	*	7/1964	Gran	D7/300
D204,657 S	*	5/1966	Jeffries	D7/313
3,664,643 A	*	5/1972	Neve	366/149
D225,883 S	*	1/1973	DiPierro et al.	D7/313
D240,624 S	*	7/1976	MacMurray	D23/207
D242,834 S	*	12/1976	Little	D7/313
D248,718 S	*	8/1978	Little	D7/313
D317,383 S	*	6/1991	Brill et al.	D6/455

D328,995 S	*	9/1992	Verheijen	D7/309
D337,234 S	*	7/1993	McGinnis	D7/306
D339,022 S	*	9/1993	McGinnis et al.	D7/306
D341,514 S	*	11/1993	McGinnis	D7/313
D356,467 S	*	3/1995	Smit	D7/311
D378,883 S	*	4/1997	Magnusson	D7/306
D403,916 S	*	1/1999	Le	D7/304
D415,383 S	*	10/1999	Le	D7/306
5,971,218 A	*	10/1999	Le	222/185.1
D431,145 S	*	9/2000	Woebcke et al.	D7/306
D436,282 S	*	1/2001	Kauzlarich et al.	D7/306
D491,408 S	*	6/2004	Clark et al.	D7/306
D497,075 S	*	10/2004	Lassota et al.	D7/306

* cited by examiner

Primary Examiner—M. N. Pandozzi

(74) *Attorney, Agent, or Firm*—George F. Bethel

(57) **CLAIM**

I claim the sheet towel holder and water dispenser, as substantially shown and described.

DESCRIPTION

FIG. 1 shows a perspective view of the sheet towel holder and water dispenser.

FIG. 2 shows a front elevation view of the sheet towel holder and water dispenser.

FIG. 3 shows a right hand elevation view thereof.

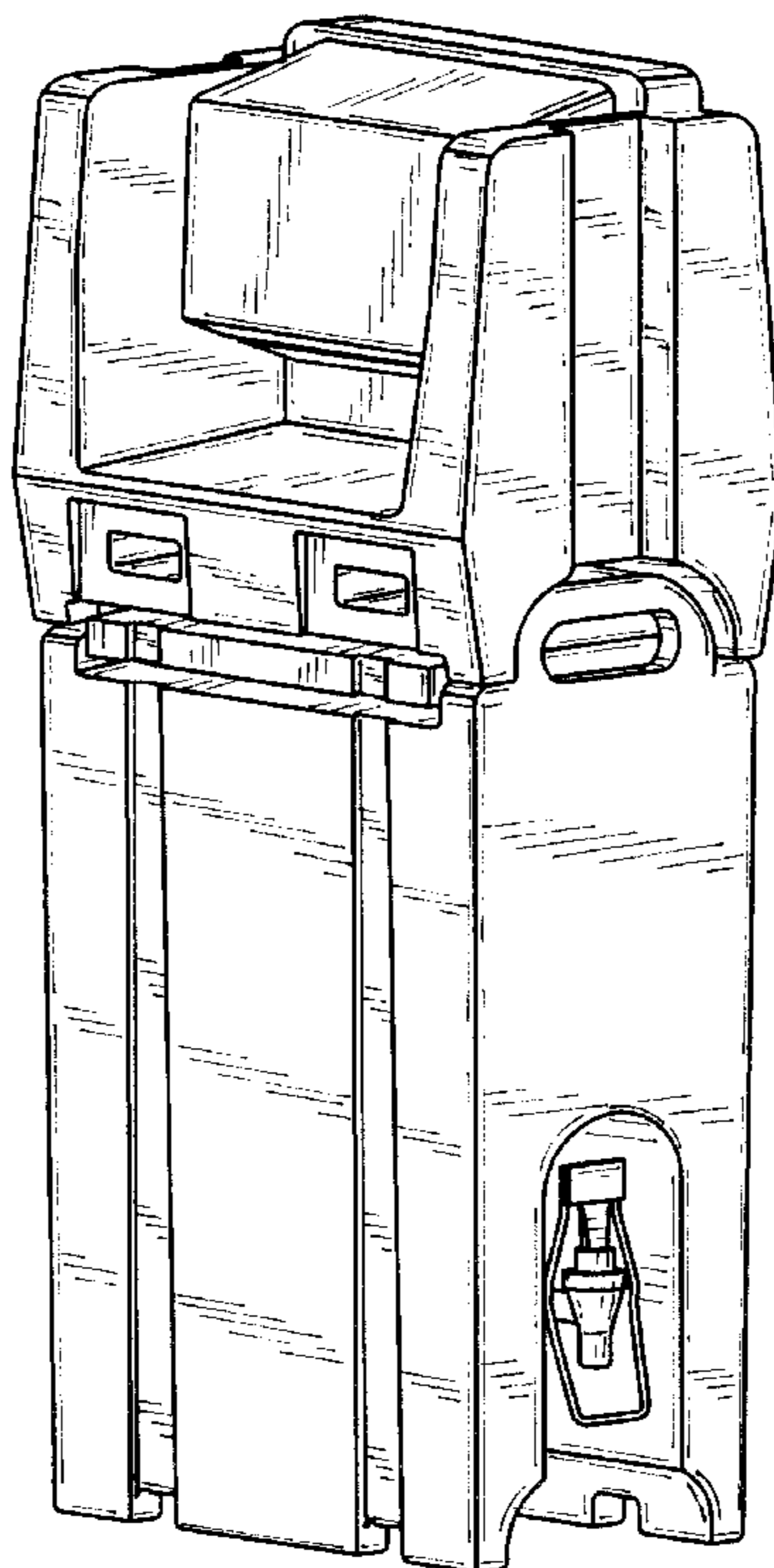
FIG. 4 shows a top plan view thereof.

FIG. 5 shows a left-hand elevation view thereof.

FIG. 6 shows a rear elevation view thereof; and,

FIG. 7 shows a bottom plan view thereof.

1 Claim, 3 Drawing Sheets



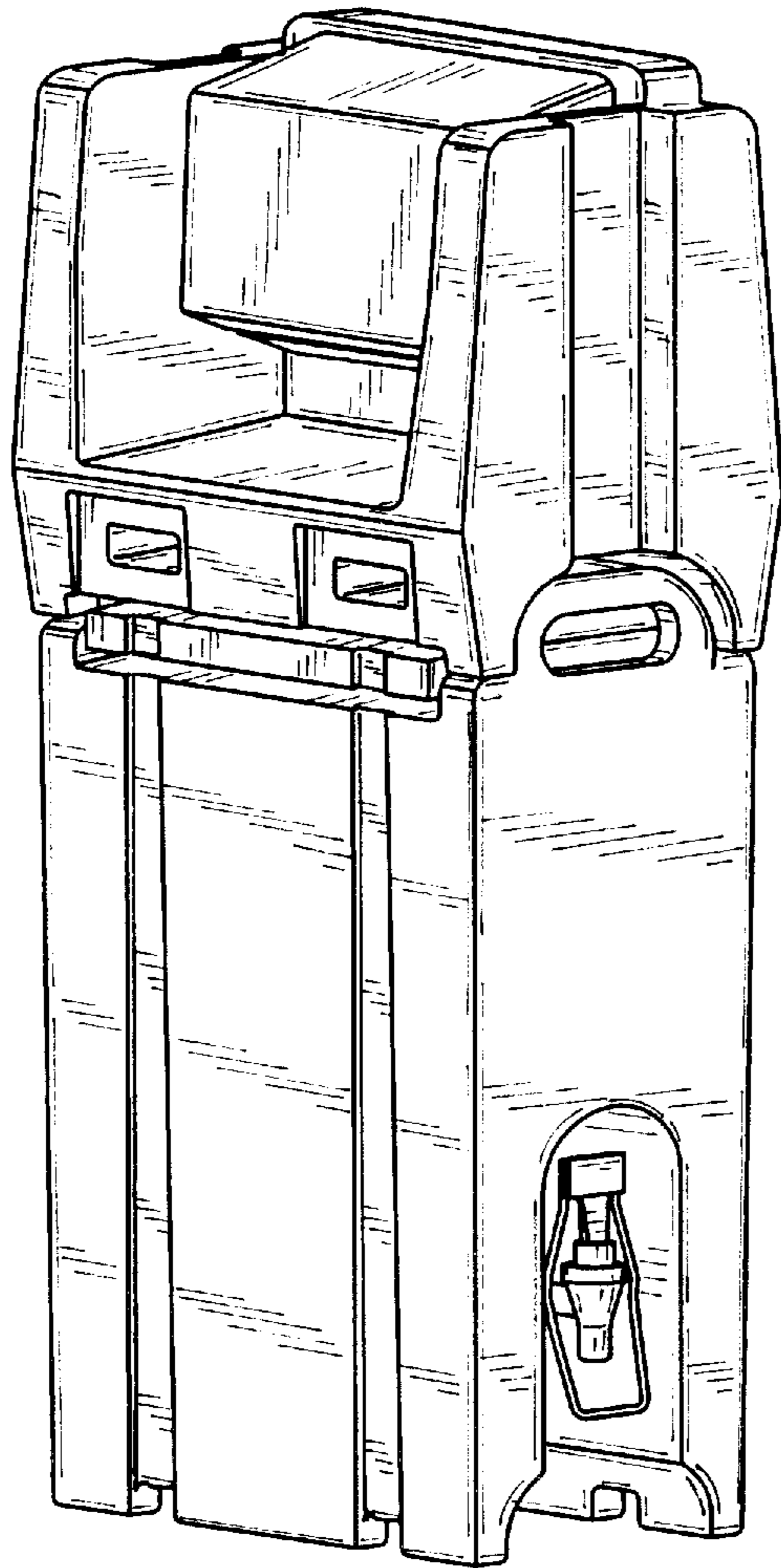


FIG. 1

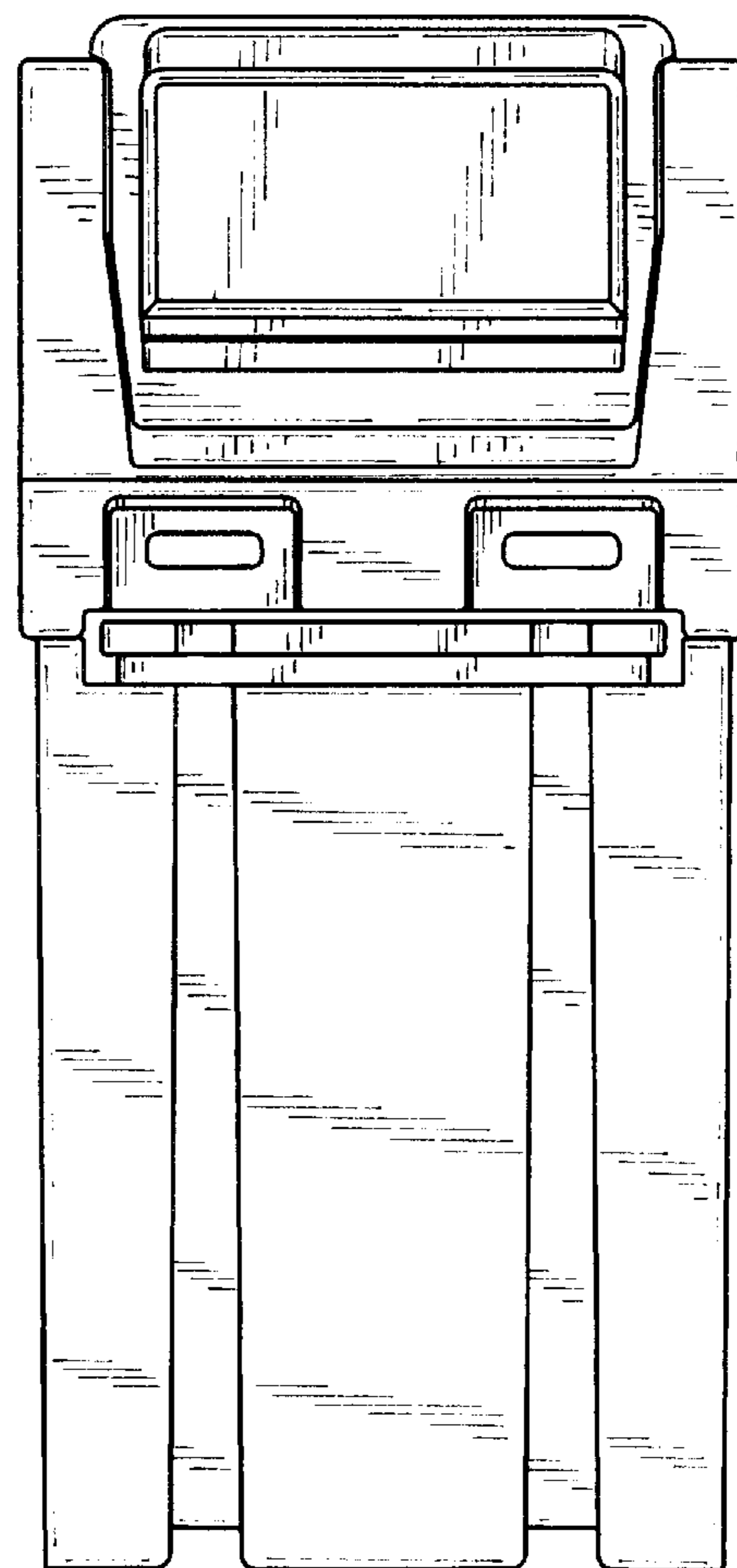


FIG. 2

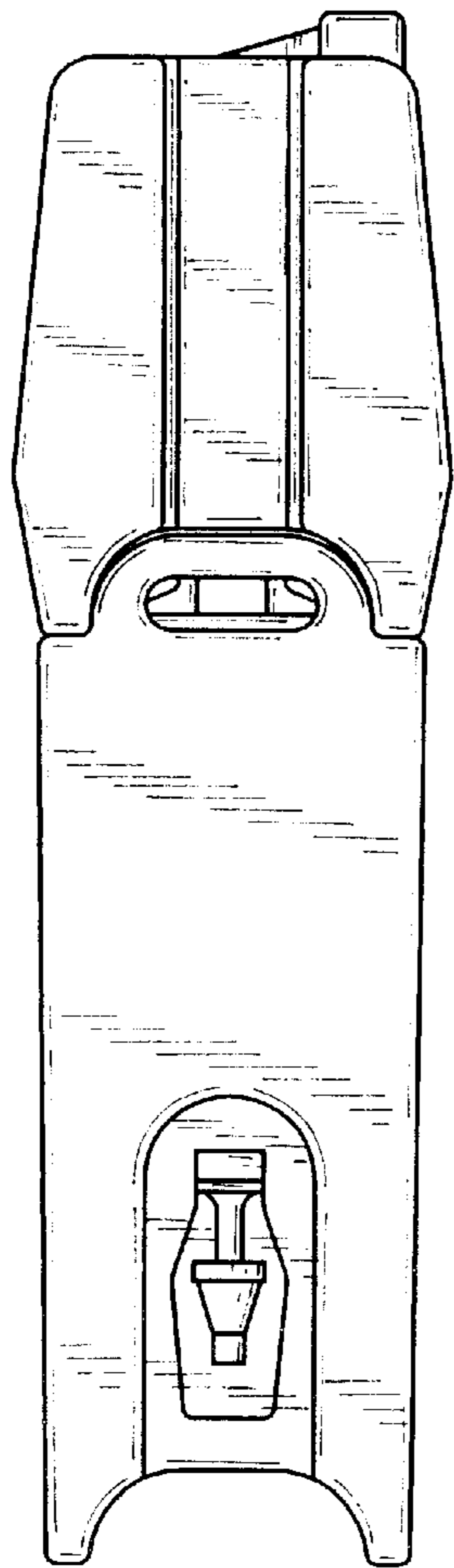


FIG. 3

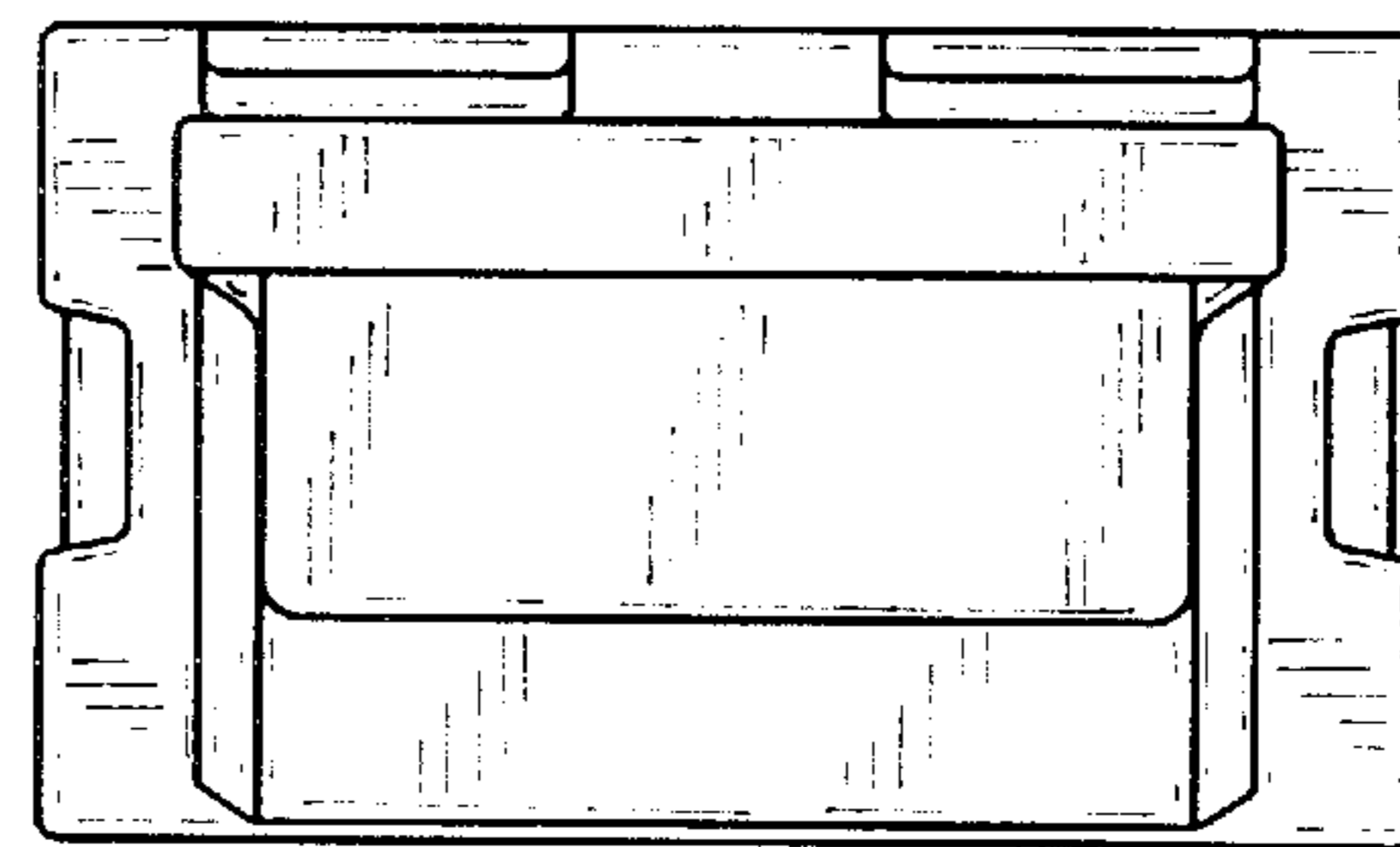


FIG. 4

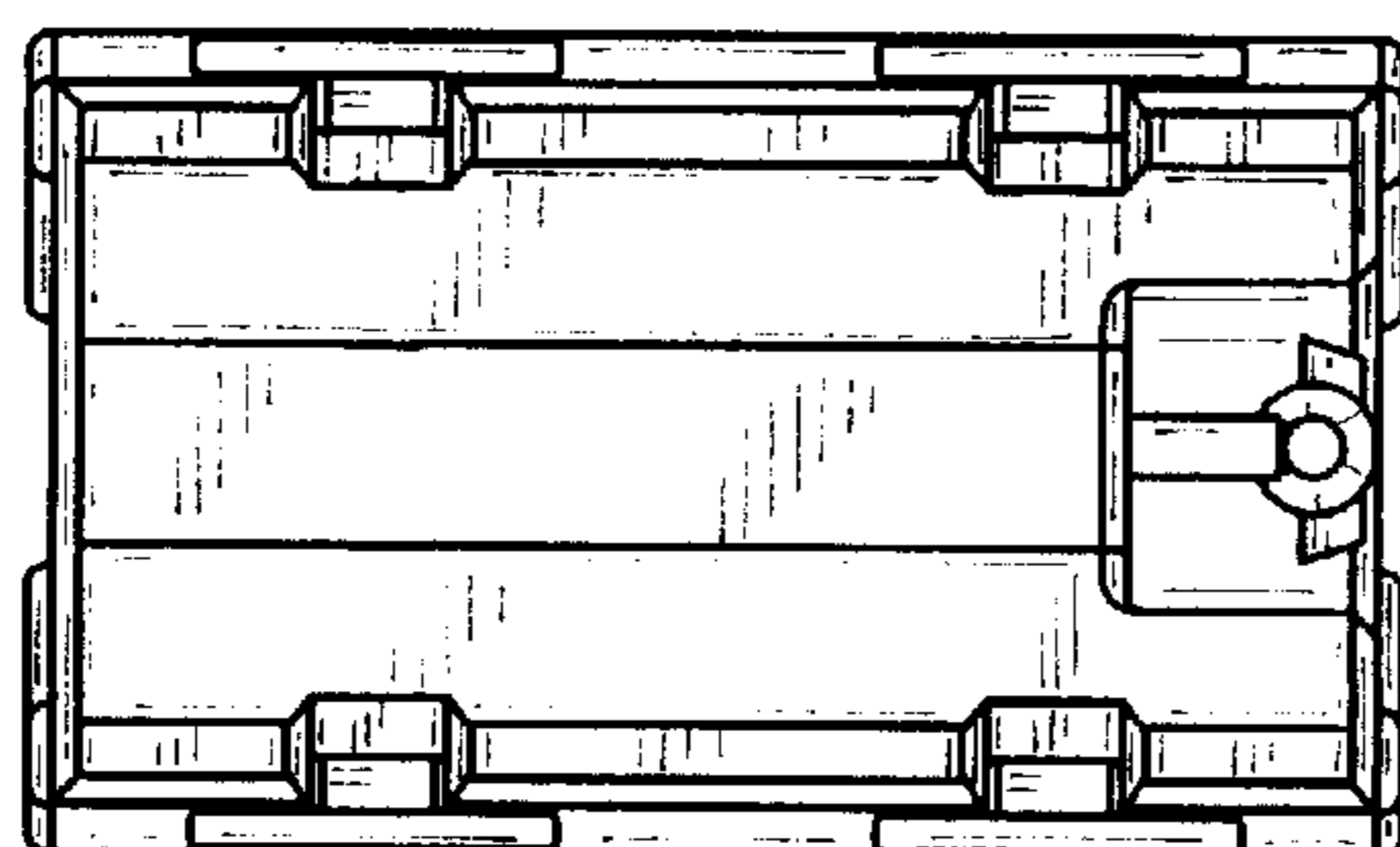


FIG. 7

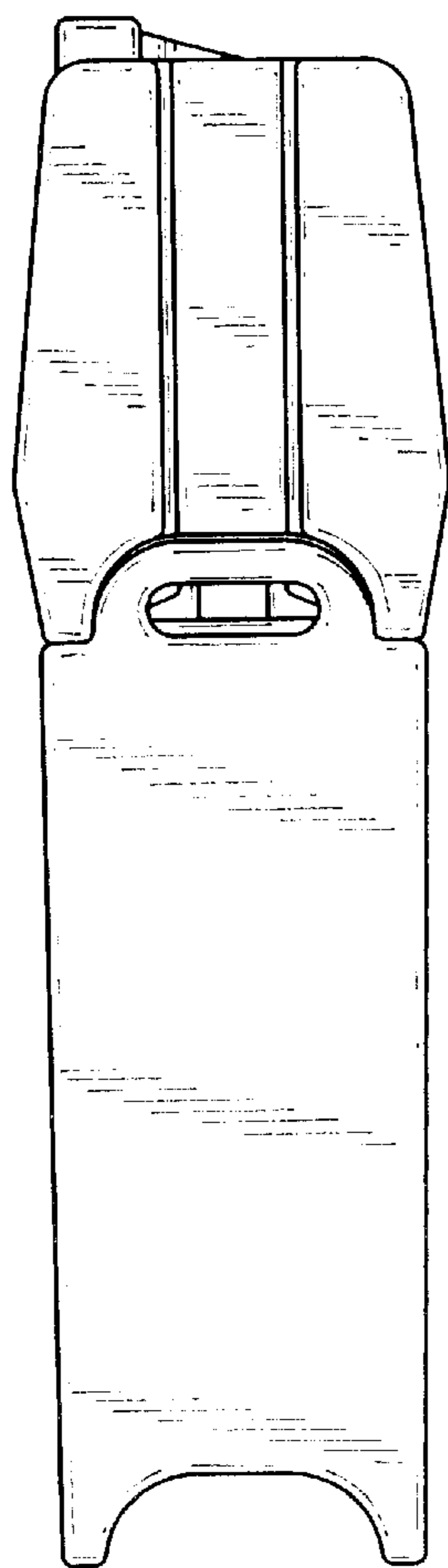


FIG. 5

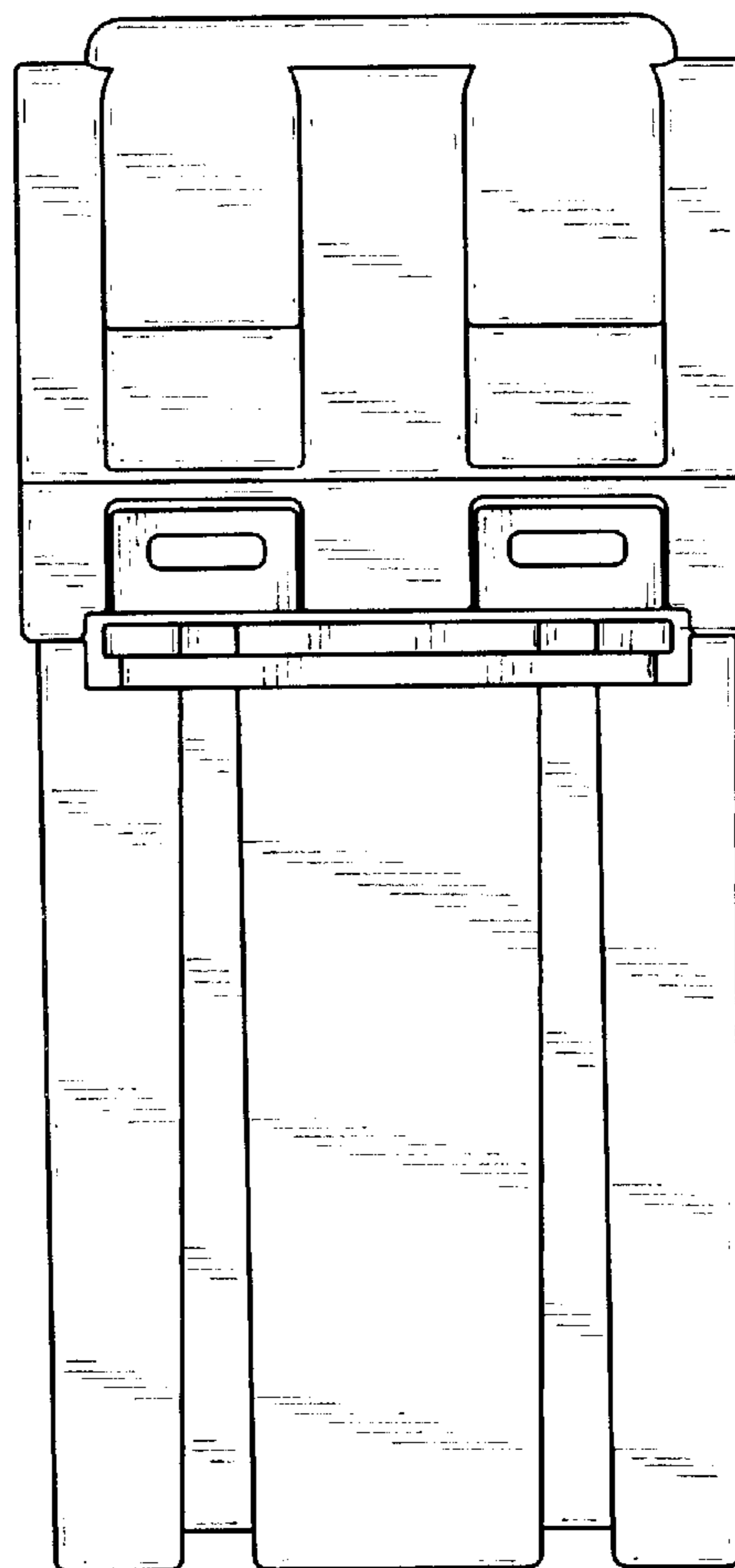


FIG. 6