

US00D506896S

(12) **United States Design Patent**  
**Merrett**

(10) **Patent No.:** **US D506,896 S**

(45) **Date of Patent:** **\*\* Jul. 5, 2005**

(54) **BETWEEN ROUNDS ABSORBENT MAT FOR BOXING RING**

D356,710 S 3/1995 Cooper  
D358,734 S 5/1995 Paskwietz et al.  
6,200,661 B1 3/2001 Daniels et al.

(76) **Inventor:** **Thomas Merrett**, 287 Burton Mesa Blvd., Unit C, Lompoc, CA (US) 93436

\* cited by examiner

(\*\*) **Term:** **14 Years**

*Primary Examiner*—Holly Baynham  
(74) *Attorney, Agent, or Firm*—Donald R. Schoonover

(21) **Appl. No.:** **29/172,632**

(57) **CLAIM**

(22) **Filed:** **Dec. 16, 2002**

I claim the ornamental design for a between rounds absorbent mat for boxing ring, as shown and described.

(51) **LOC (8) Cl.** ..... **06-11**

(52) **U.S. Cl.** ..... **D6/583**

(58) **Field of Search** ..... D6/582–583, 592;  
428/83, 88, 95; 15/215–217; D21/771,  
787

**DESCRIPTION**

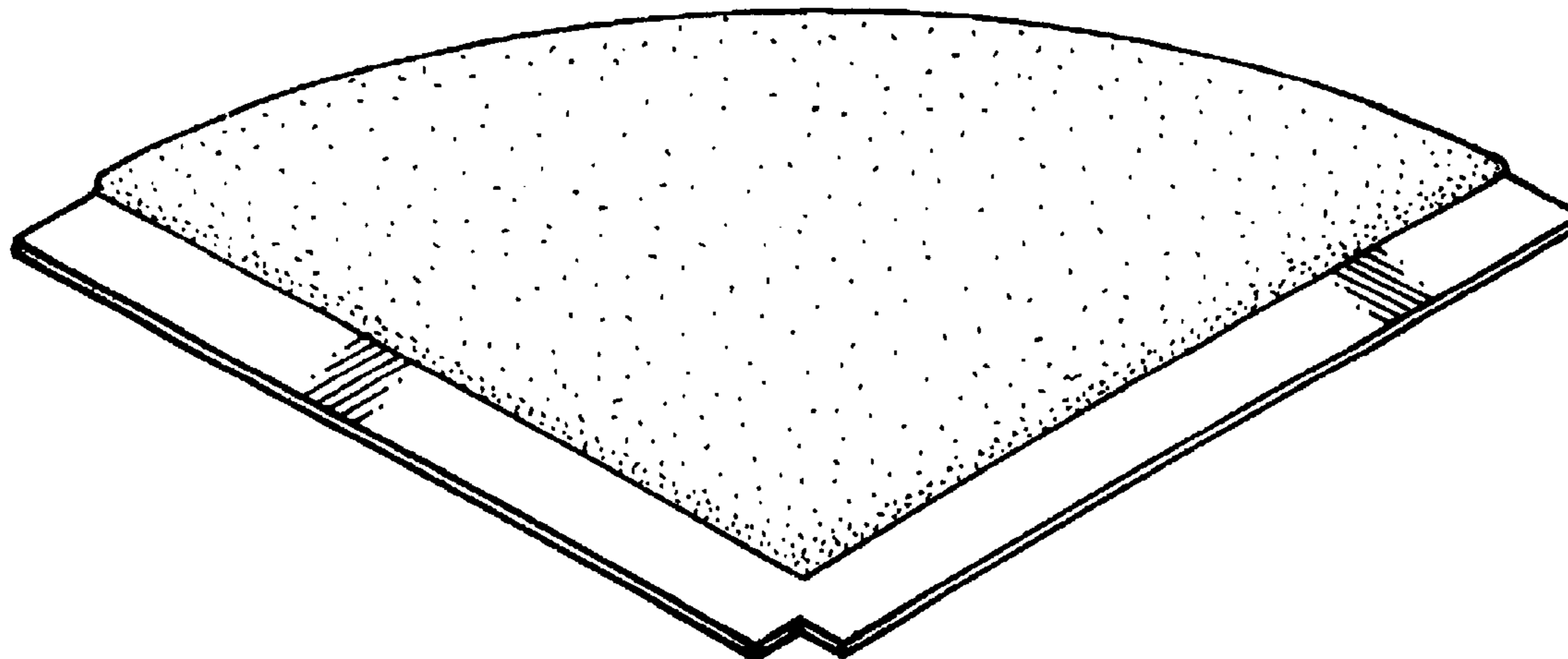
FIG. 1 is a perspective view of a between rounds absorbent mat for boxing ring showing my new design;  
FIG. 2 is a rear elevational view thereof;  
FIG. 3 is a front elevational view thereof;  
FIG. 4 is a side elevational view thereof, the elevational view of the opposite side being a mirror image thereof;  
FIG. 5 is a top plan view thereof;  
FIG. 6 is a bottom plan view thereof; and,  
FIG. 7 is a reduced perspective view showing the between rounds absorbent mat for boxing ring in use; the broken lines show environmental structure for illustrative purposes only and form no part of the claimed design.

(56) **References Cited**

**U.S. PATENT DOCUMENTS**

|               |         |                 |        |
|---------------|---------|-----------------|--------|
| 1,865,459 A   | 7/1932  | Edmands         |        |
| 3,083,393 A * | 4/1963  | Nappi           | 15/215 |
| 3,228,491 A   | 1/1966  | Gatsos          |        |
| D253,985 S *  | 1/1980  | Bond            | D6/583 |
| D270,801 S *  | 10/1983 | Curatolo        | D6/583 |
| D272,877 S    | 3/1984  | Yamamoto et al. |        |
| 5,069,951 A   | 12/1991 | Egan            |        |
| D355,459 S    | 2/1995  | Cornelison      |        |
| D356,709 S    | 3/1995  | Scott           |        |

**1 Claim, 3 Drawing Sheets**



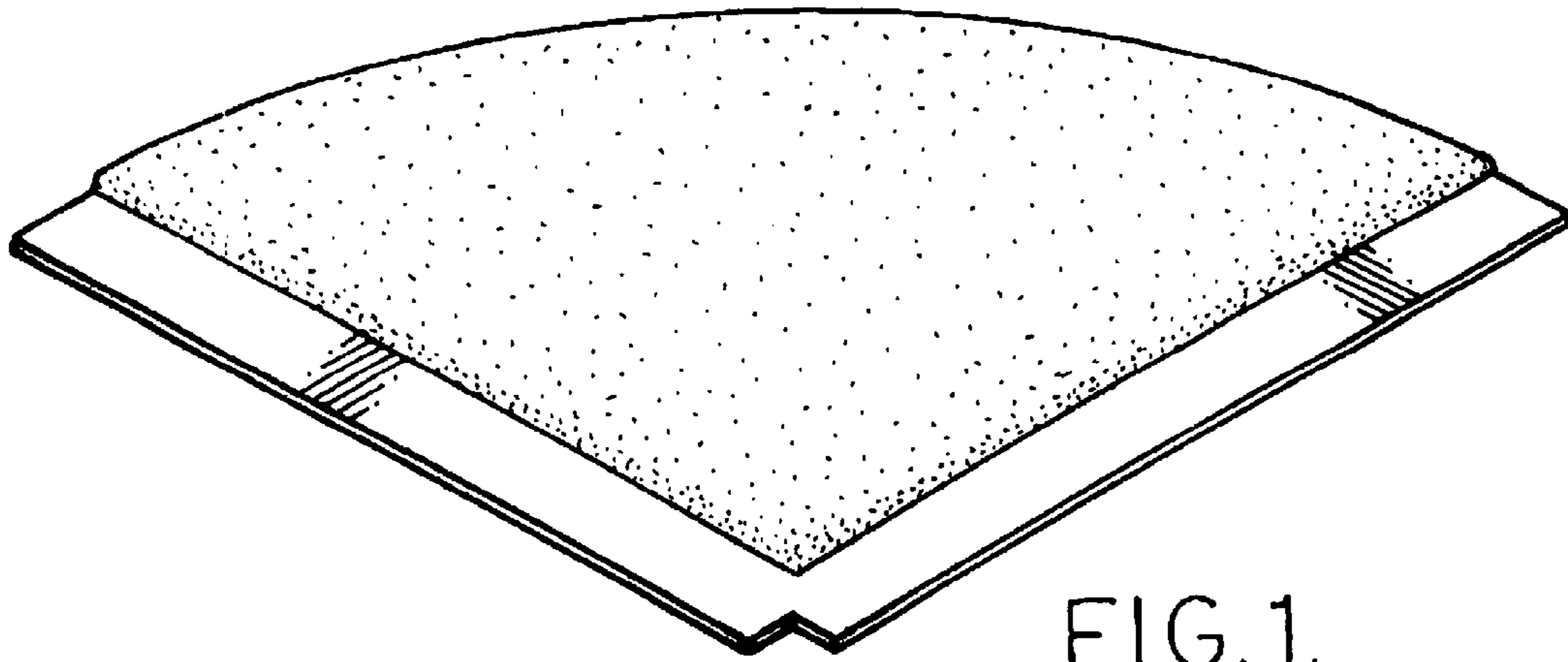


FIG. 1.

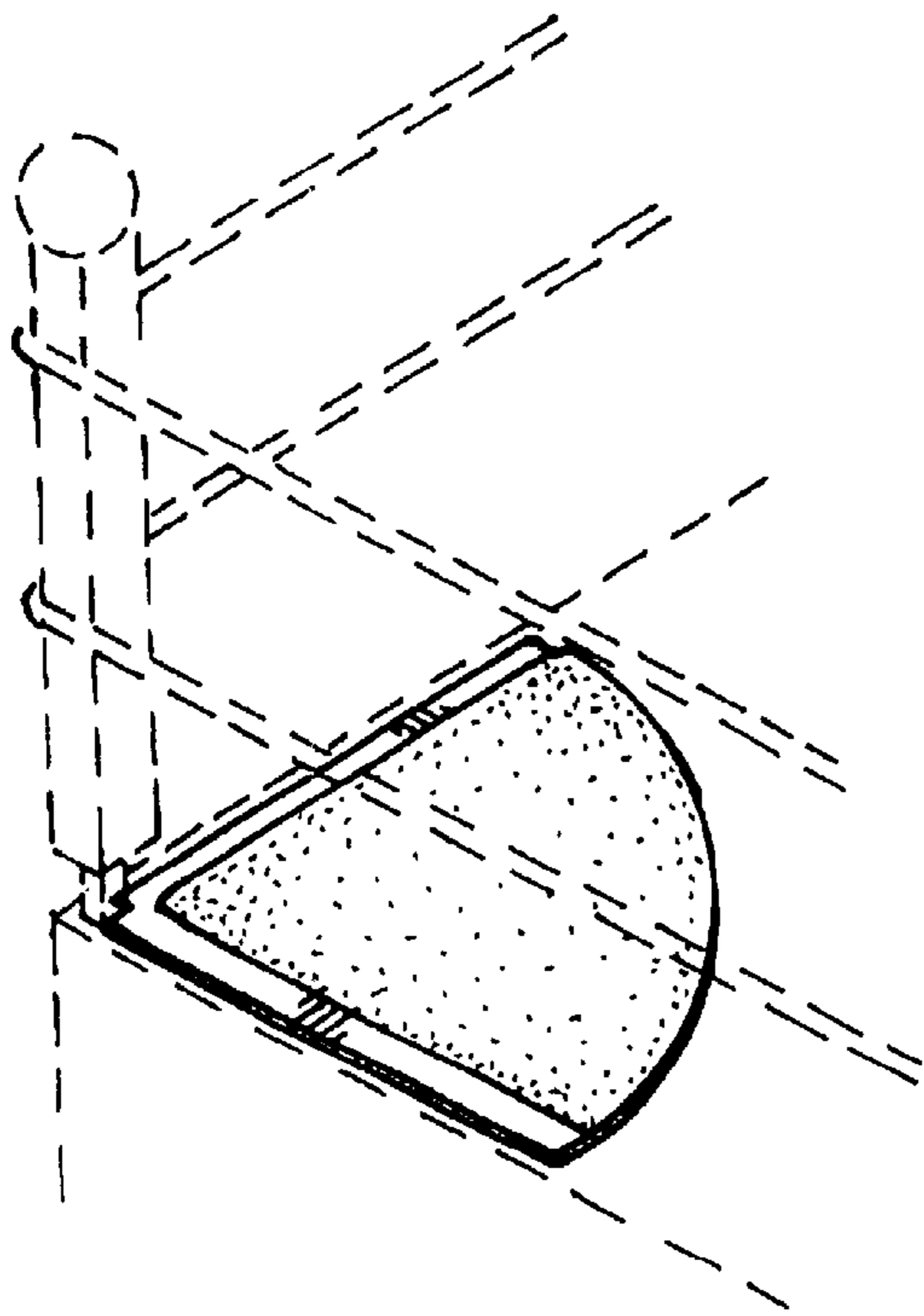


FIG. 7.



FIG. 2.

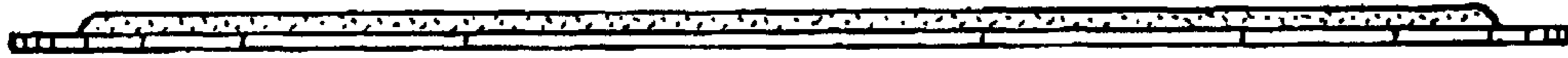


FIG. 3.

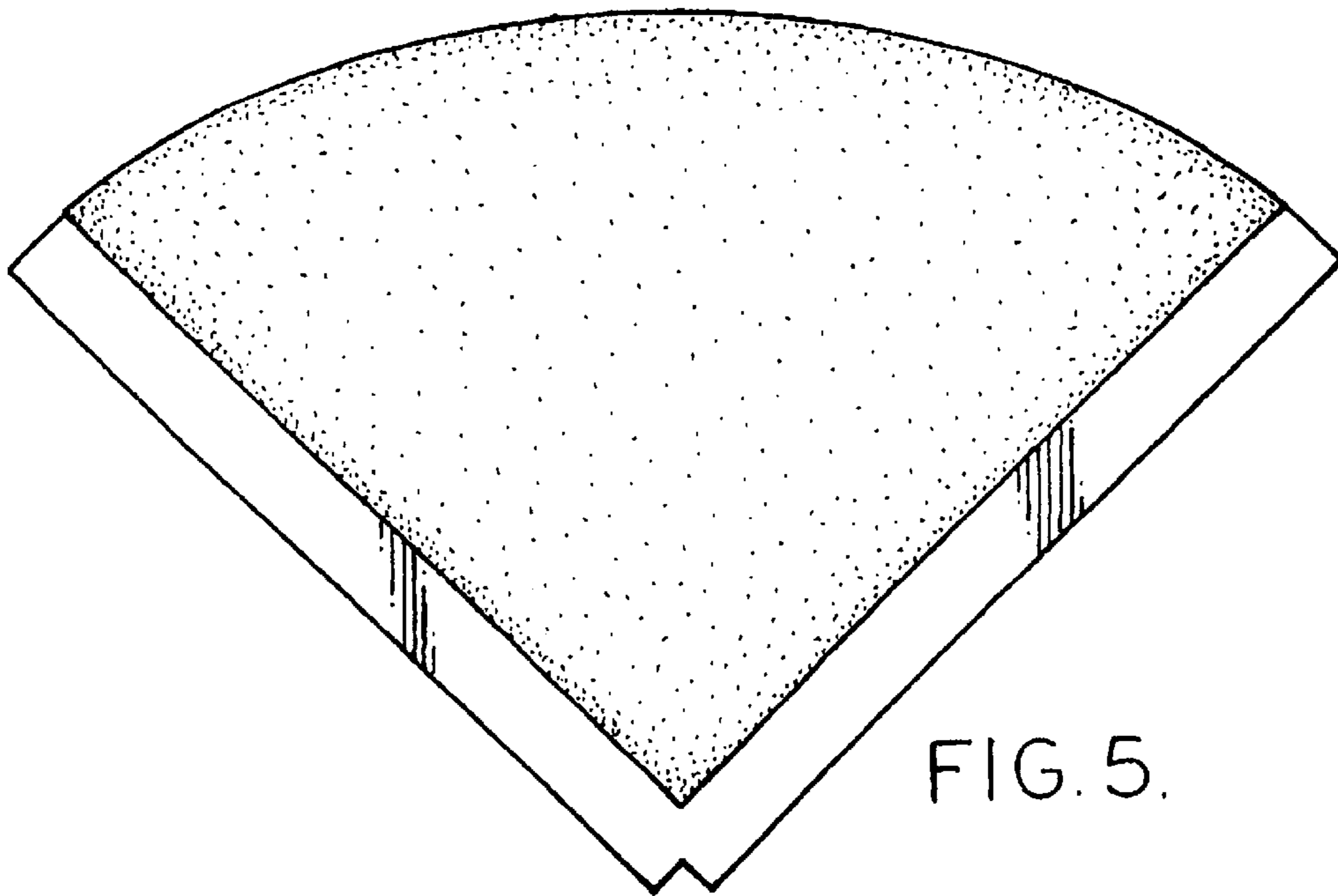


FIG. 5.



FIG. 4.

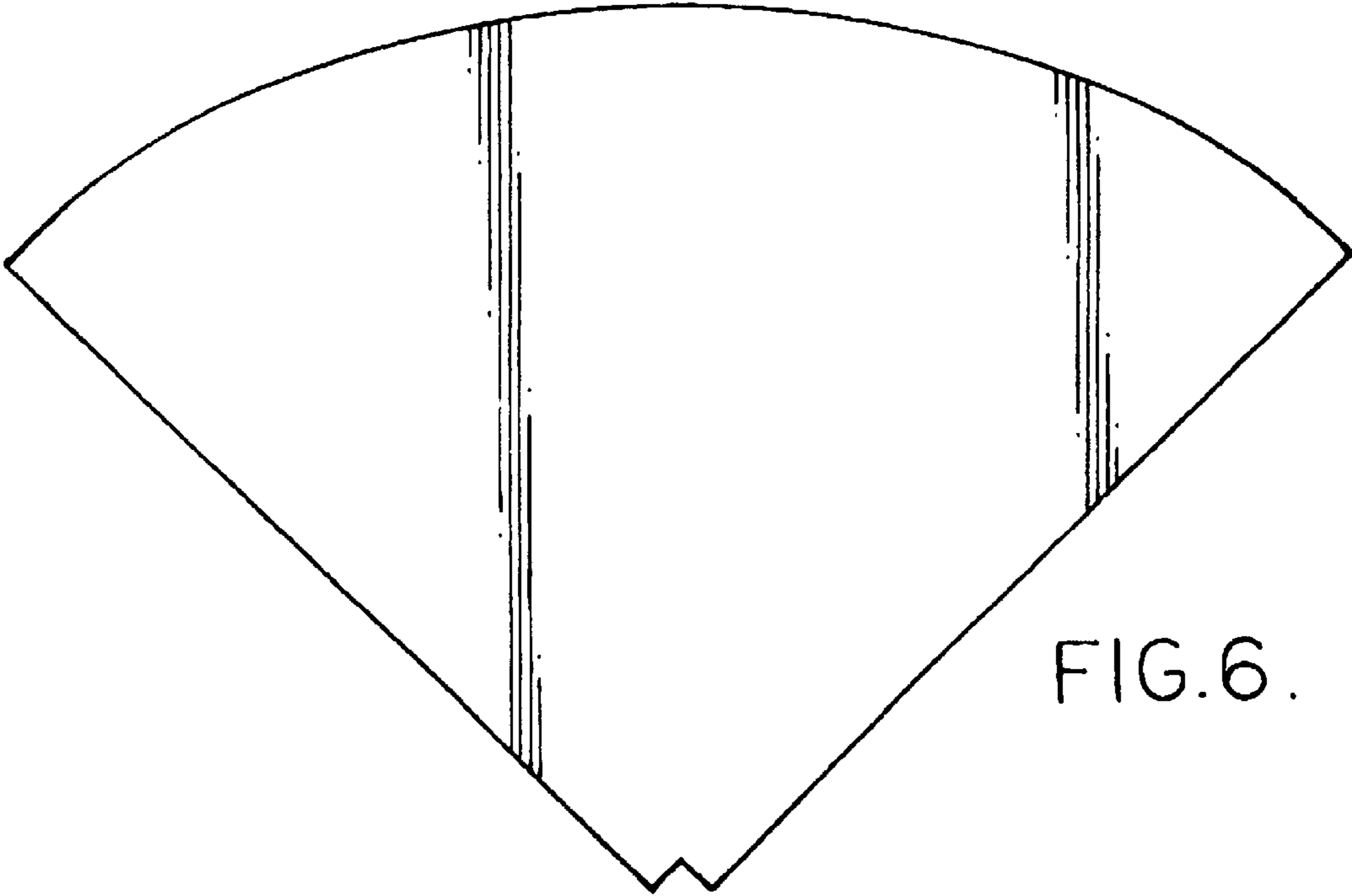


FIG. 6.