

US00D506895S

(12) **United States Design Patent**  
**Kawano et al.**

(10) **Patent No.:** **US D506,895 S**  
(45) **Date of Patent:** **\*\* Jul. 5, 2005**

(54) **TOP PLATE FOR RACK**  
(75) **Inventors:** **Tomoyuki Kawano, Kumamoto (JP);**  
**Toshihiro Higashi, Kumamoto (JP)**

(73) **Assignee:** **Kongo Kabushiki Kaisha (JP)**

(\*\*) **Term:** **14 Years**

(21) **Appl. No.:** **29/205,044**

(22) **Filed:** **May 7, 2004**

(30) **Foreign Application Priority Data**

Nov. 7, 2003 (JP) ..... 2003-033062

(51) **LOC (8) Cl.** ..... **06-06**

(52) **U.S. Cl.** ..... **D6/511**

(58) **Field of Search** ..... D6/629, 630, 460,  
D6/461, 467, 468, 470-472, 477-479, 509-511;  
108/92, 93; 211/85.1, 85.4, 55, 183; 312/114,  
138.1, 280, 281, 262

(56) **References Cited**

**U.S. PATENT DOCUMENTS**

D296,852 S \* 7/1988 Buchweitz et al. .... D6/511  
D334,859 S \* 4/1993 Homann ..... D6/509  
D377,658 S \* 1/1997 Adamson et al. .... D34/17  
D383,933 S \* 9/1997 Robertson ..... D6/511  
5,853,091 A \* 12/1998 Luenser ..... 211/183

D463,181 S \* 9/2002 Patik ..... D6/511  
D463,695 S \* 10/2002 Patik ..... D6/511  
6,520,345 B1 \* 2/2003 Marovic et al. .... 211/183  
2004/0016713 A1 \* 1/2004 Wyatt et al. .... 211/183

\* cited by examiner

*Primary Examiner*—Cathron C. Brooks

(74) *Attorney, Agent, or Firm*—Ostrolenk, Faber, Gerb & Soffen, LLP

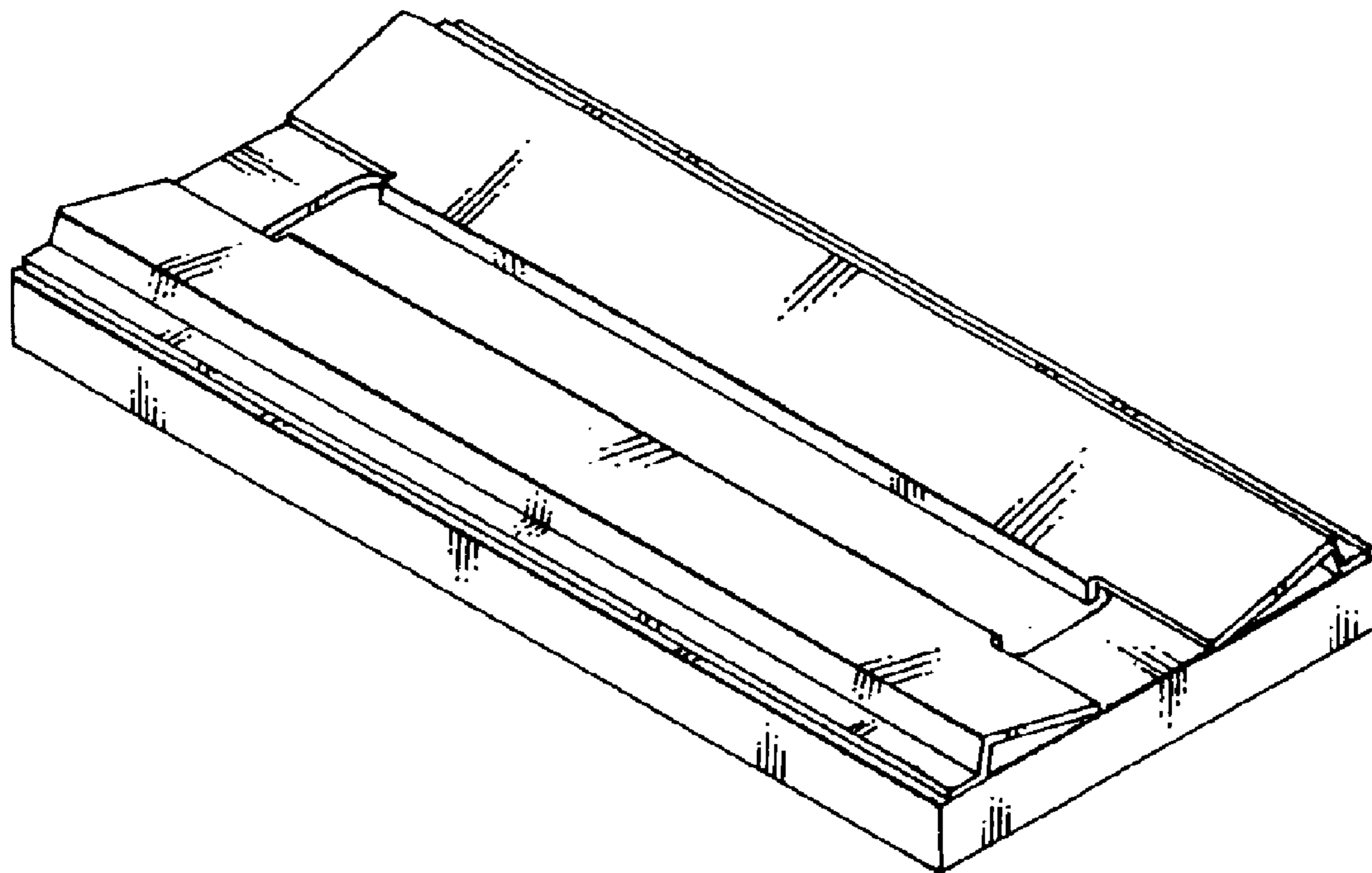
(57) **CLAIM**

The ornamental design for a top plate for rack, as shown and described.

**DESCRIPTION**

FIG. 1 is a front, side, perspective view of a top plate for rack showing our new design;  
FIG. 2 is a top view thereof;  
FIG. 3 is a bottom view thereof;  
FIG. 4 is a front view thereof, the rear view being identical;  
FIG. 5 is a side view thereof, the opposite side view being identical; and,  
FIG. 6 shows a perspective view thereof, with environmental material shown in broken lines.  
The broken line showing of environmental material is for illustrative purposes only and forms no part of the claimed design.

**1 Claim, 4 Drawing Sheets**



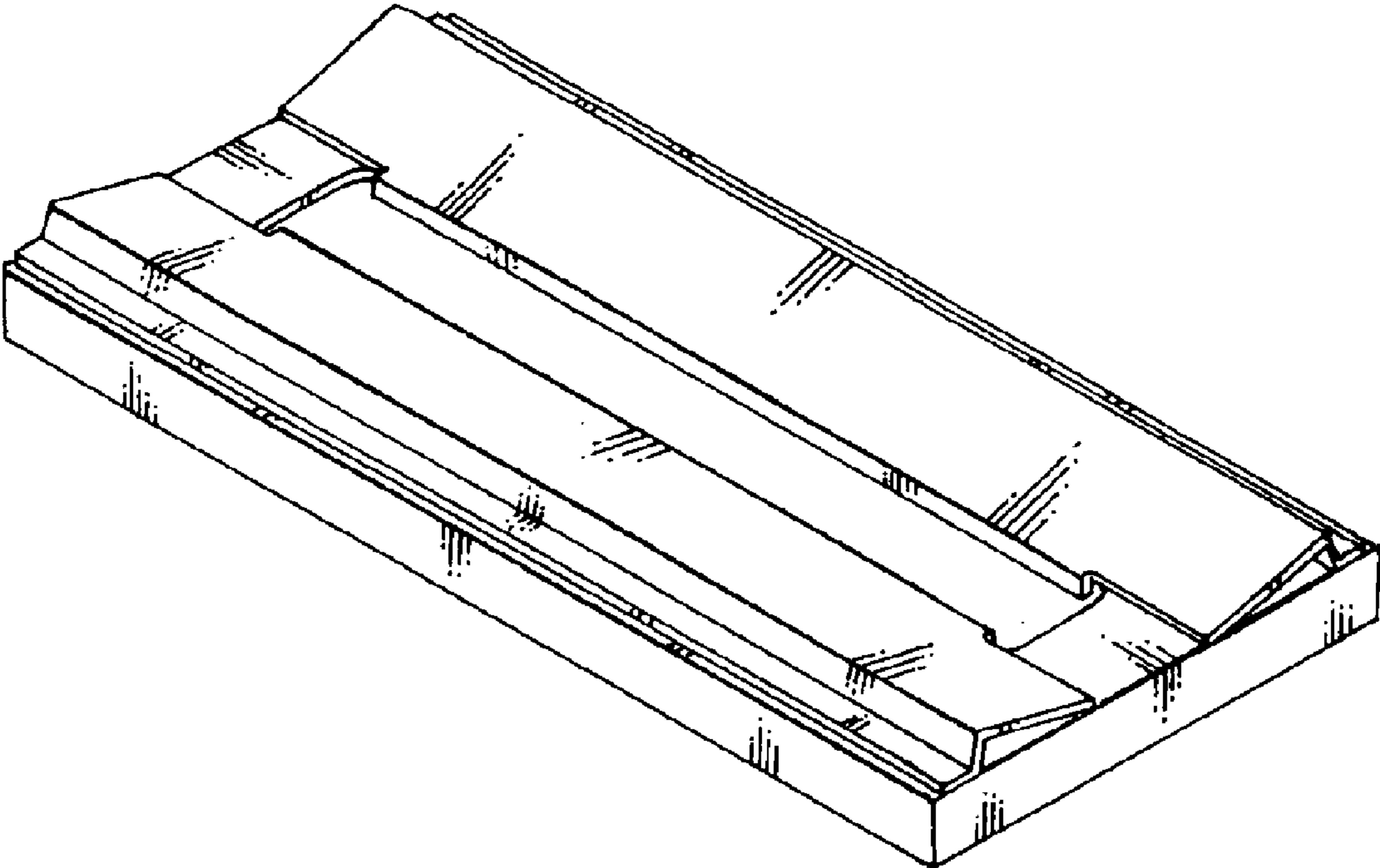
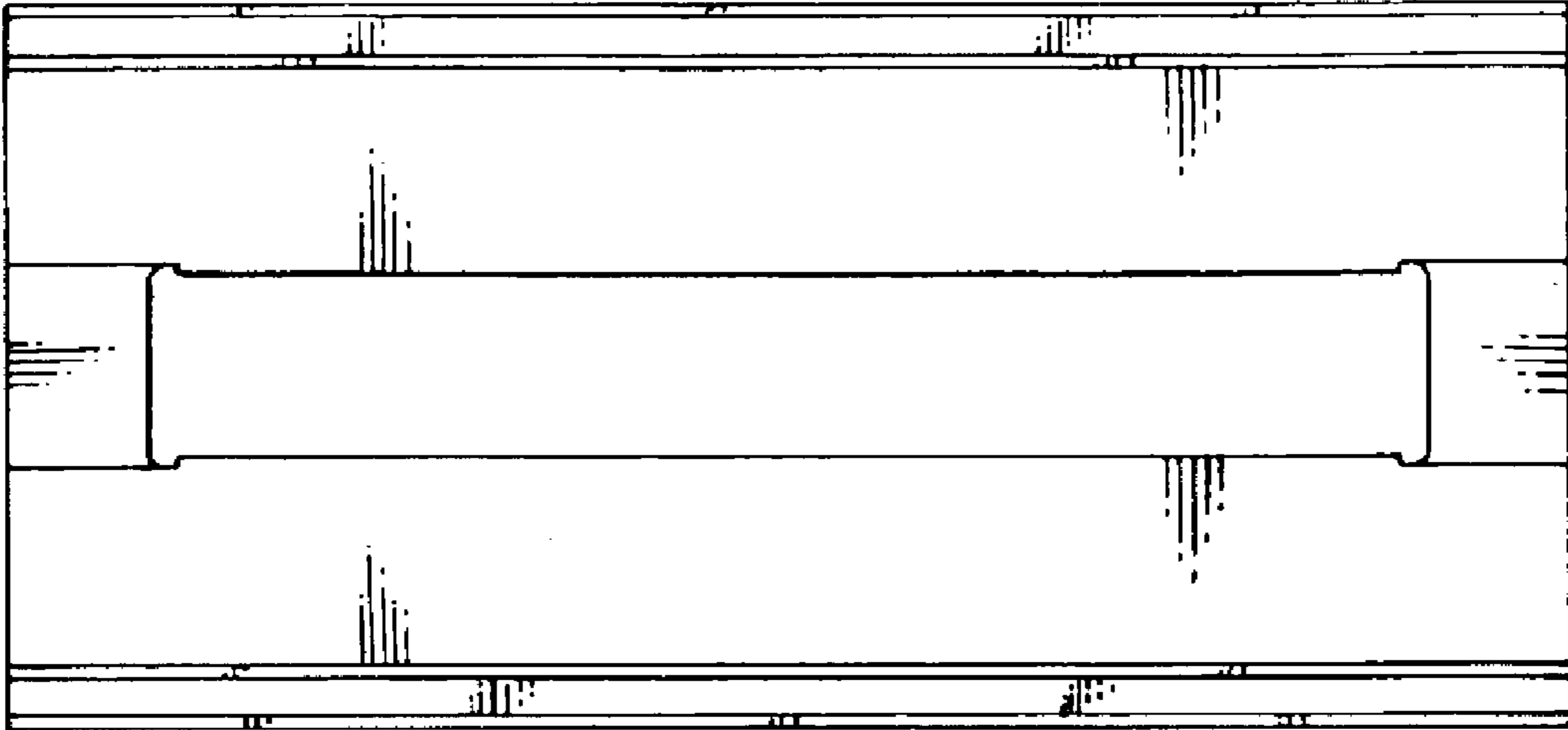
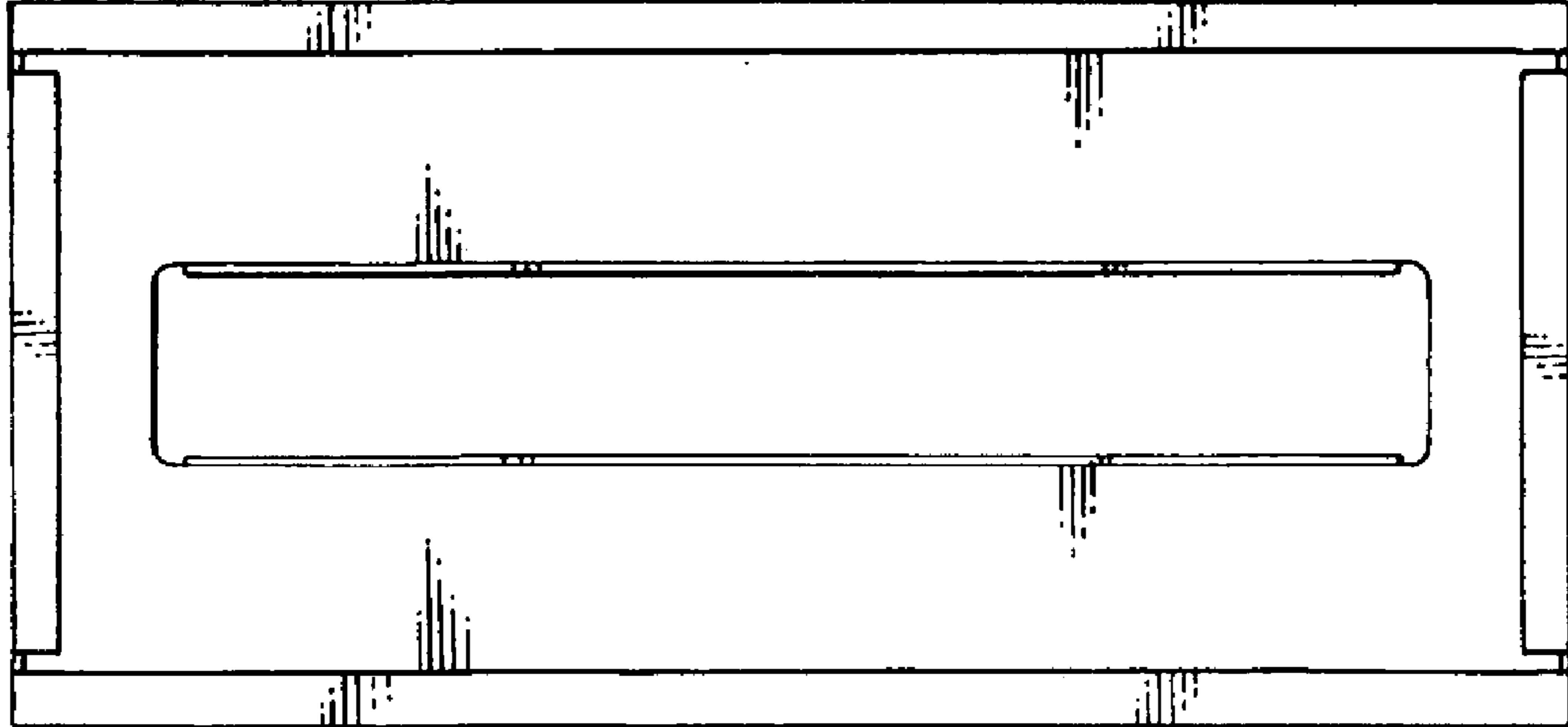


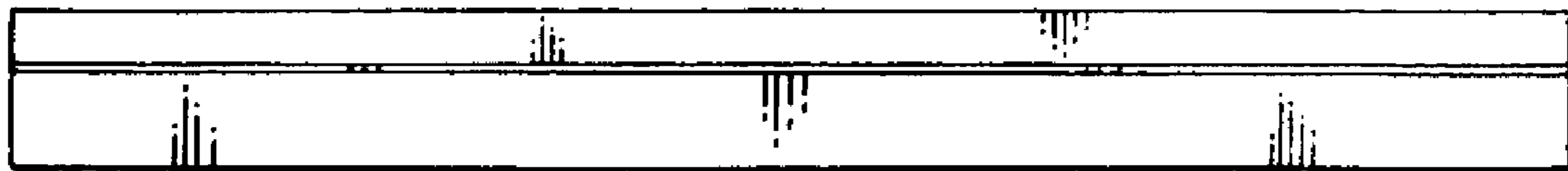
FIG. 1



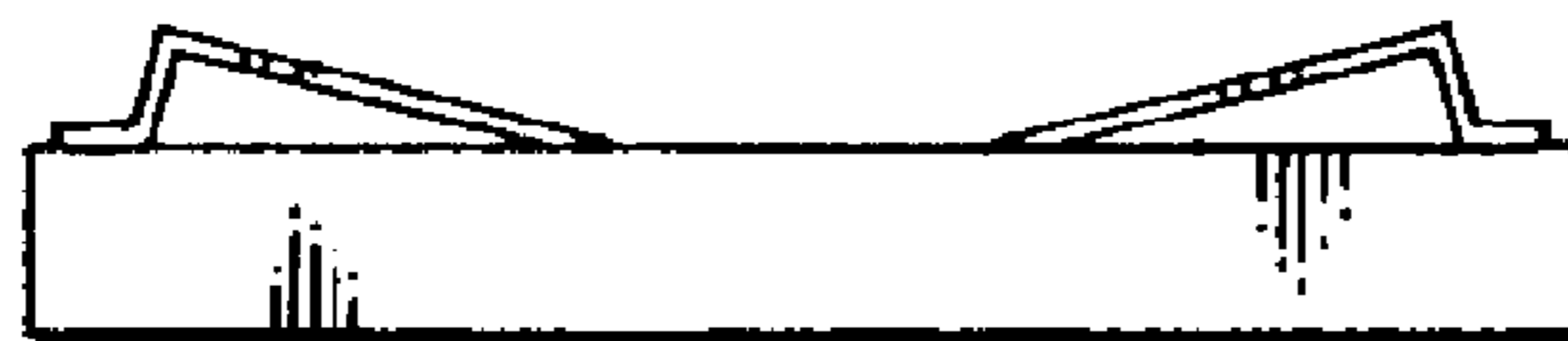
**FIG. 2**



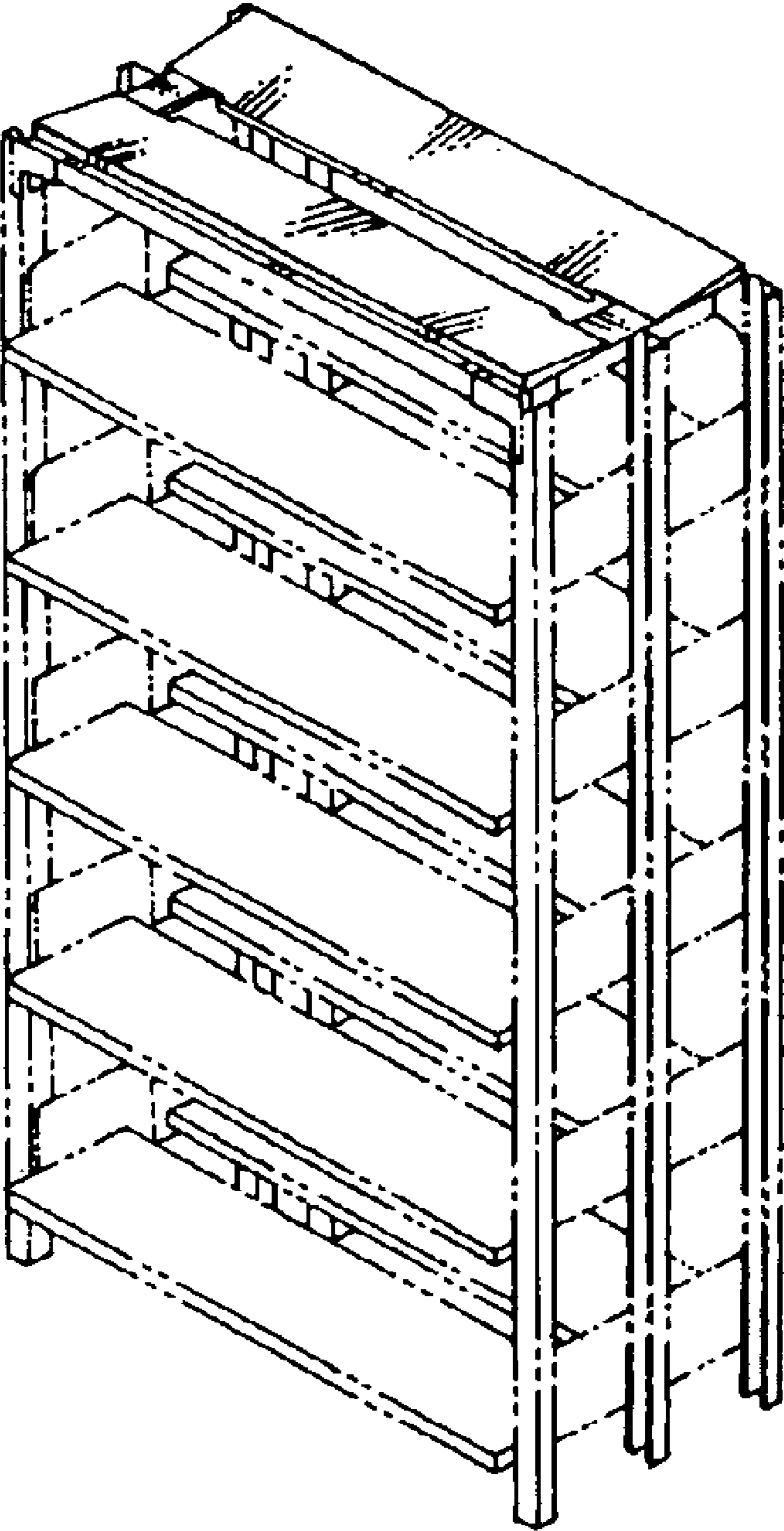
**FIG. 3**



**FIG. 4**



**FIG. 5**



**FIG. 6**