

US00D506894S

(12) **United States Design Patent**
Harley

(10) **Patent No.:** **US D506,894 S**
(45) **Date of Patent:** **** Jul. 5, 2005**

(54) **CHAIR BACK**

(75) Inventor: **Alexander Petrie Harley**, Oakville
(CA)

(73) Assignee: **Allseating Corporation**, Mississauga
(CA)

(**) Term: **14 Years**

(21) Appl. No.: **29/206,887**

(22) Filed: **Jun. 7, 2004**

(51) **LOC (8) Cl.** **06-06**

(52) **U.S. Cl.** **D6/502; D6/366**

(58) **Field of Search** D6/334, 364, 365,
D6/366, 367, 500-502; 297/411.2, 411.27,
411.36, 452.29, 452.46

(56) **References Cited**

U.S. PATENT DOCUMENTS

- D322,363 S * 12/1991 Narita D6/366
- D339,927 S * 10/1993 Fahnstrom et al. D6/366
- D345,060 S * 3/1994 Duncan D6/366
- D453,079 S * 1/2002 Ma D6/366

- D477,151 S * 7/2003 Koepke et al. D6/366
- D479,656 S * 9/2003 Ma D6/366
- D489,191 S * 5/2004 Ma D6/366
- D493,627 S * 8/2004 Ma D6/366

* cited by examiner

Primary Examiner—Mimosa De

(74) *Attorney, Agent, or Firm*—Miller Thomson LLP

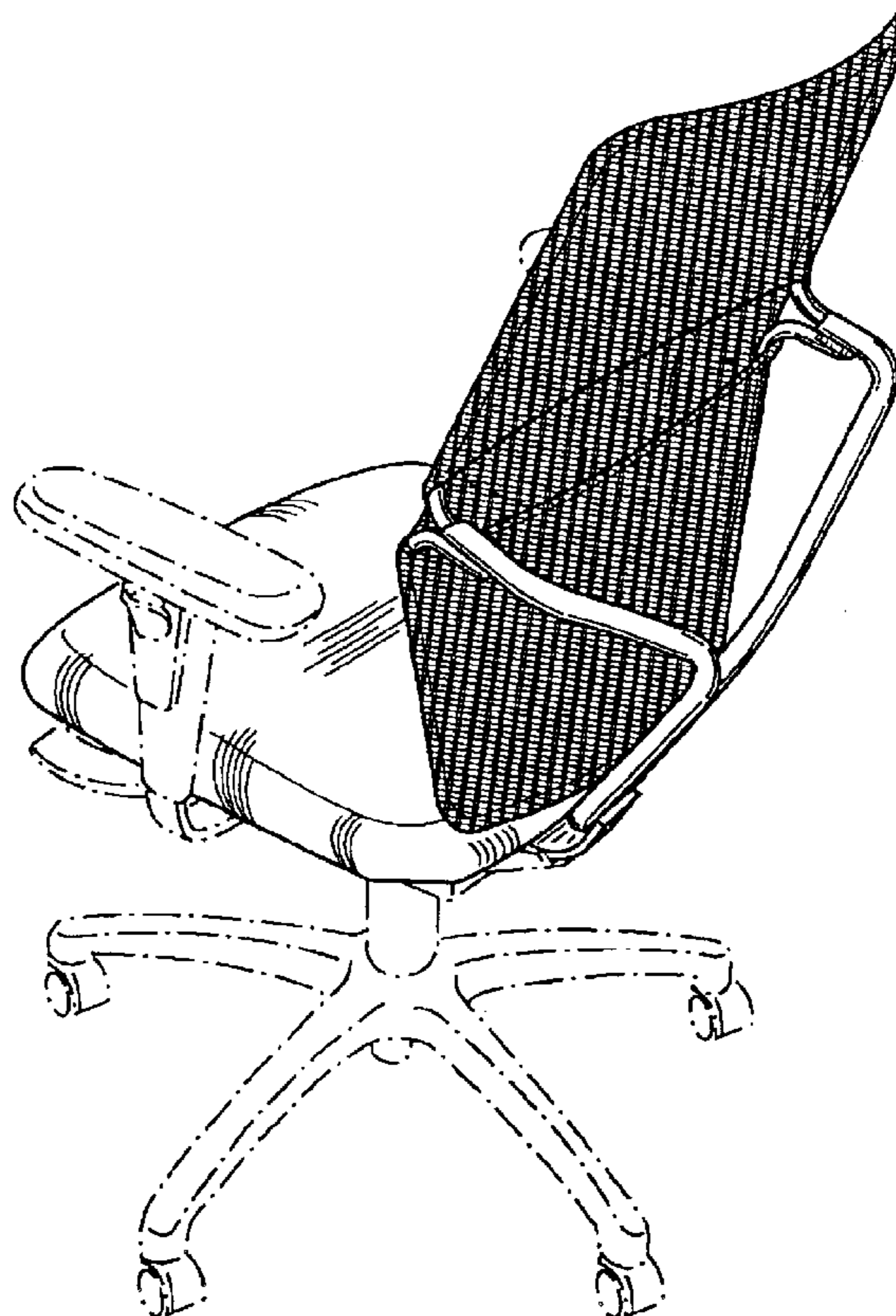
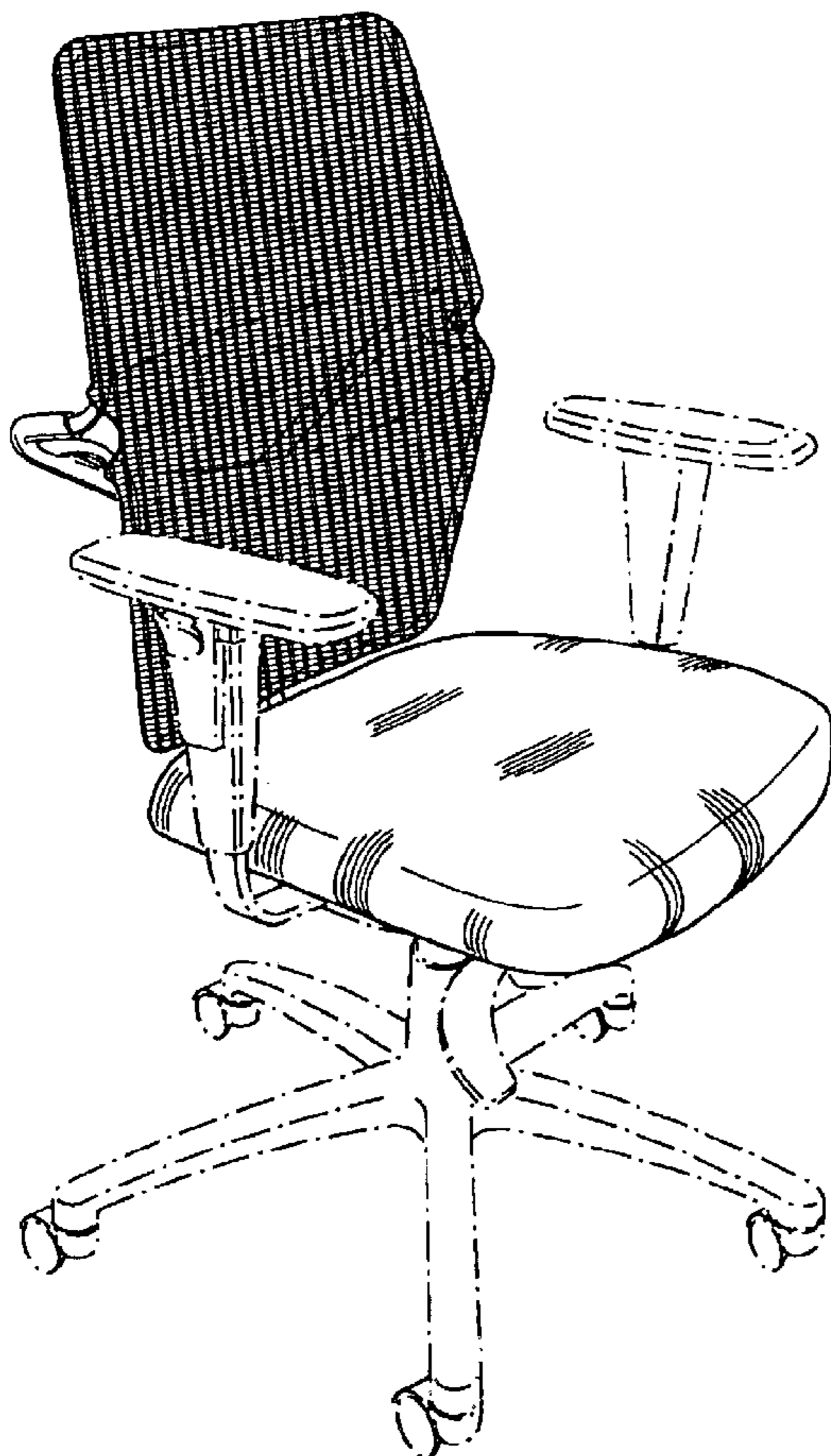
(57) **CLAIM**

The ornamental design for the chair back, as shown and described.

DESCRIPTION

FIG. 1 is a front perspective view of the chair back.
 FIG. 2 is a back perspective view of the chair back.
 FIG. 3 is a right elevation view of the chair back.
 FIG. 4 is a left elevation view of the chair back.
 FIG. 5 is a front elevation view of the chair back.
 FIG. 6 is a back elevation view of the chair back; and,
 FIG. 7 is a top plan view of the chair back.
 The broken lines shown in the drawing are for illustrative purposes only and form no part of the claimed design.

1 Claim, 4 Drawing Sheets



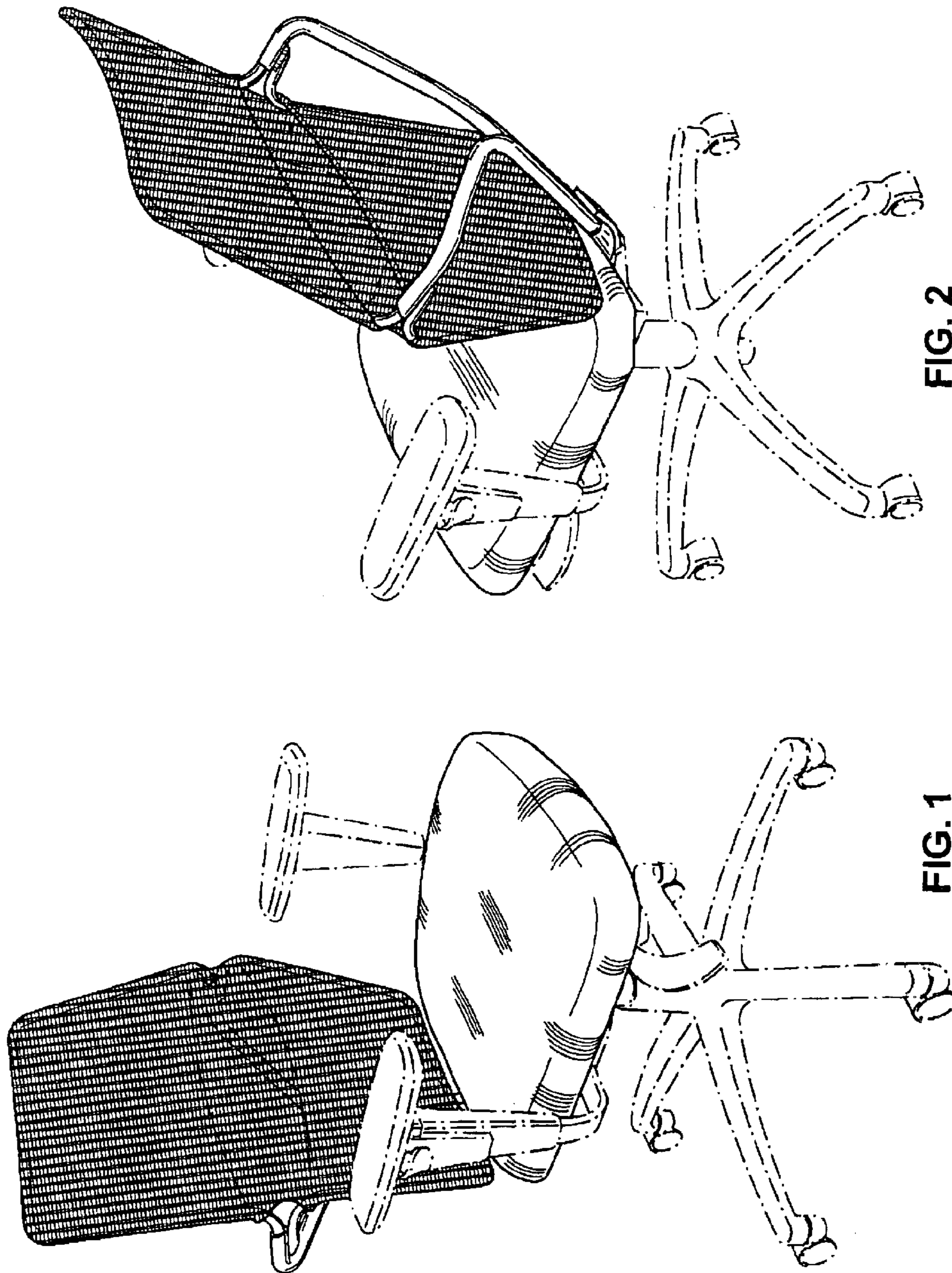


FIG. 2

FIG. 1

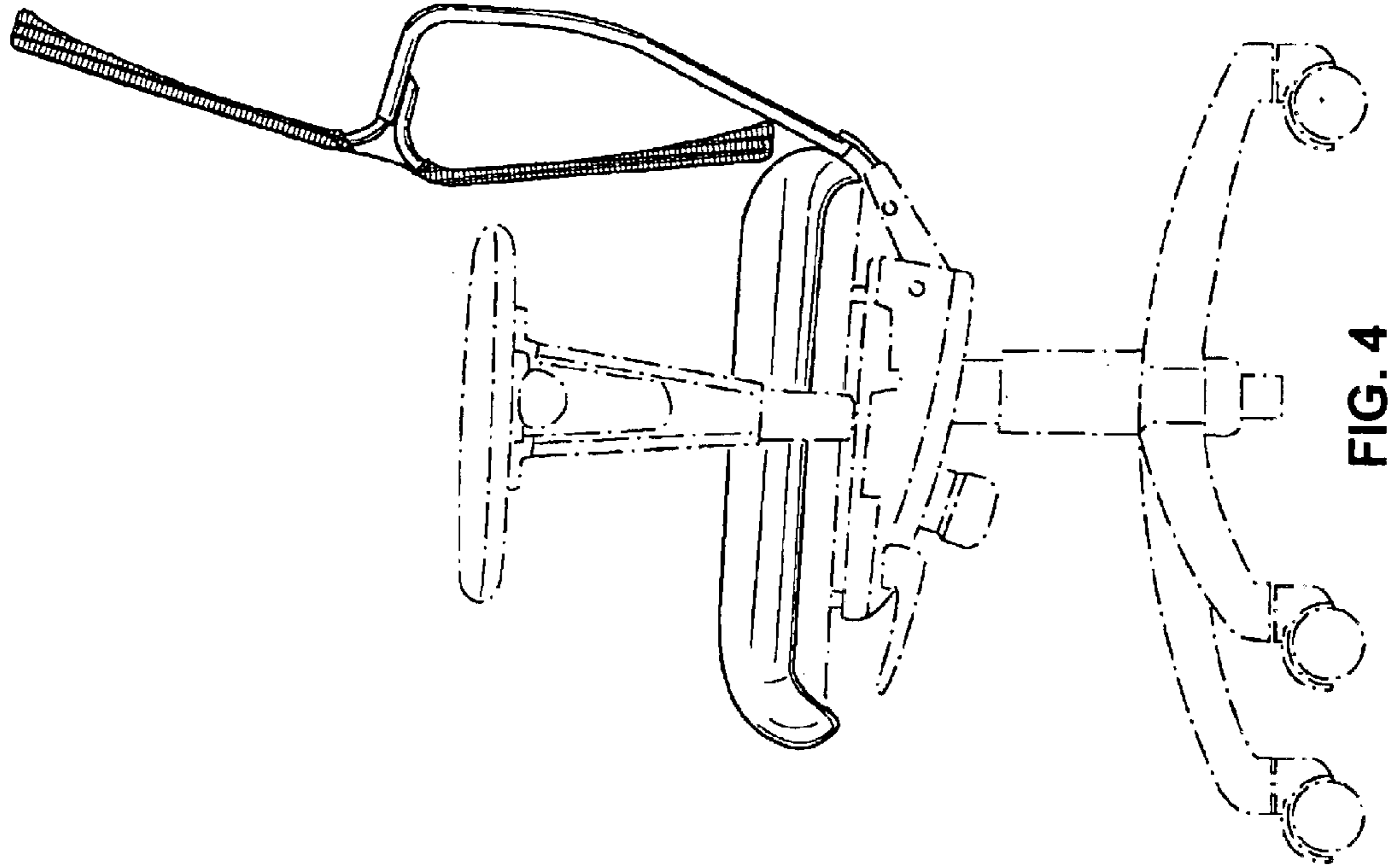


FIG. 4

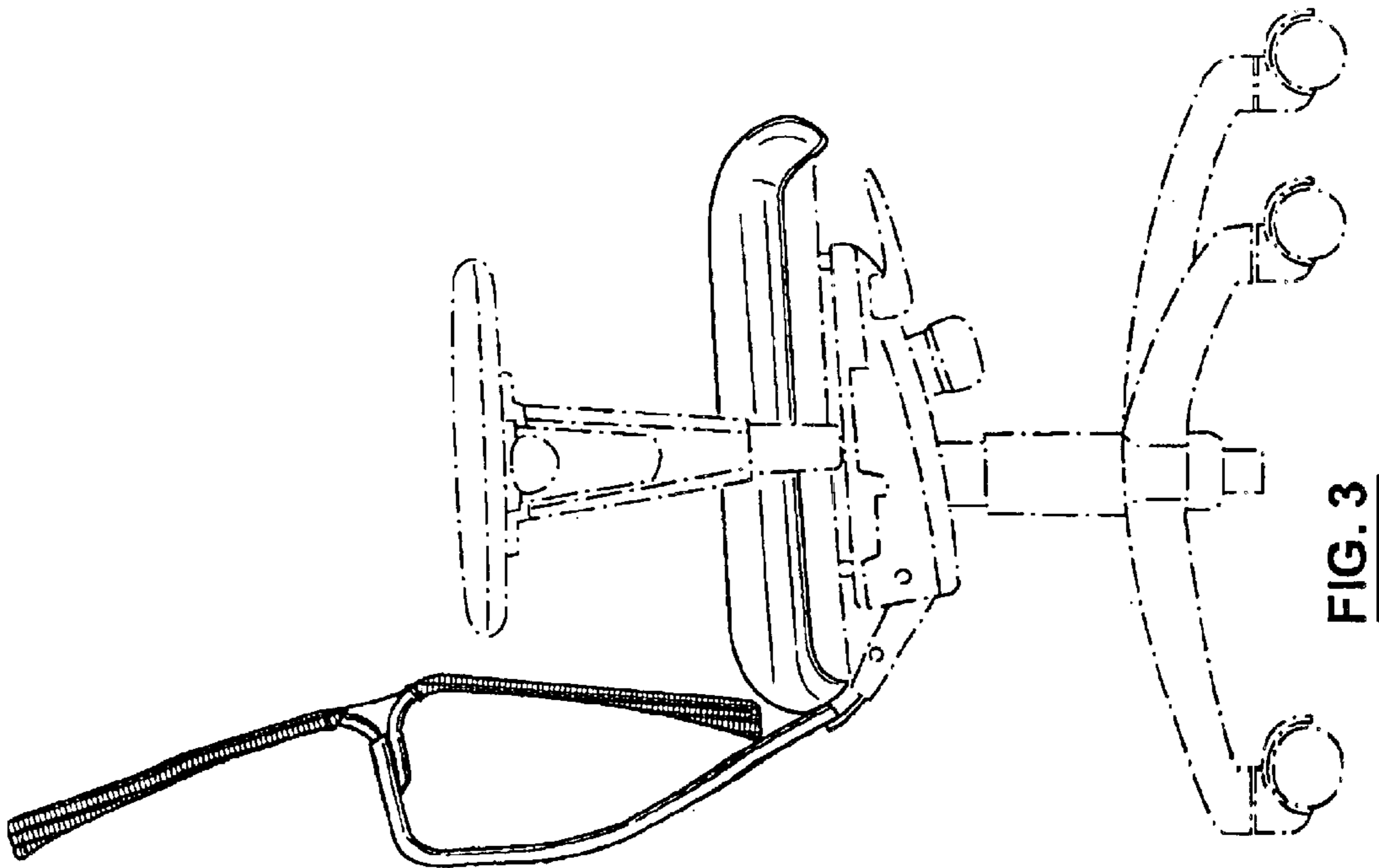


FIG. 3

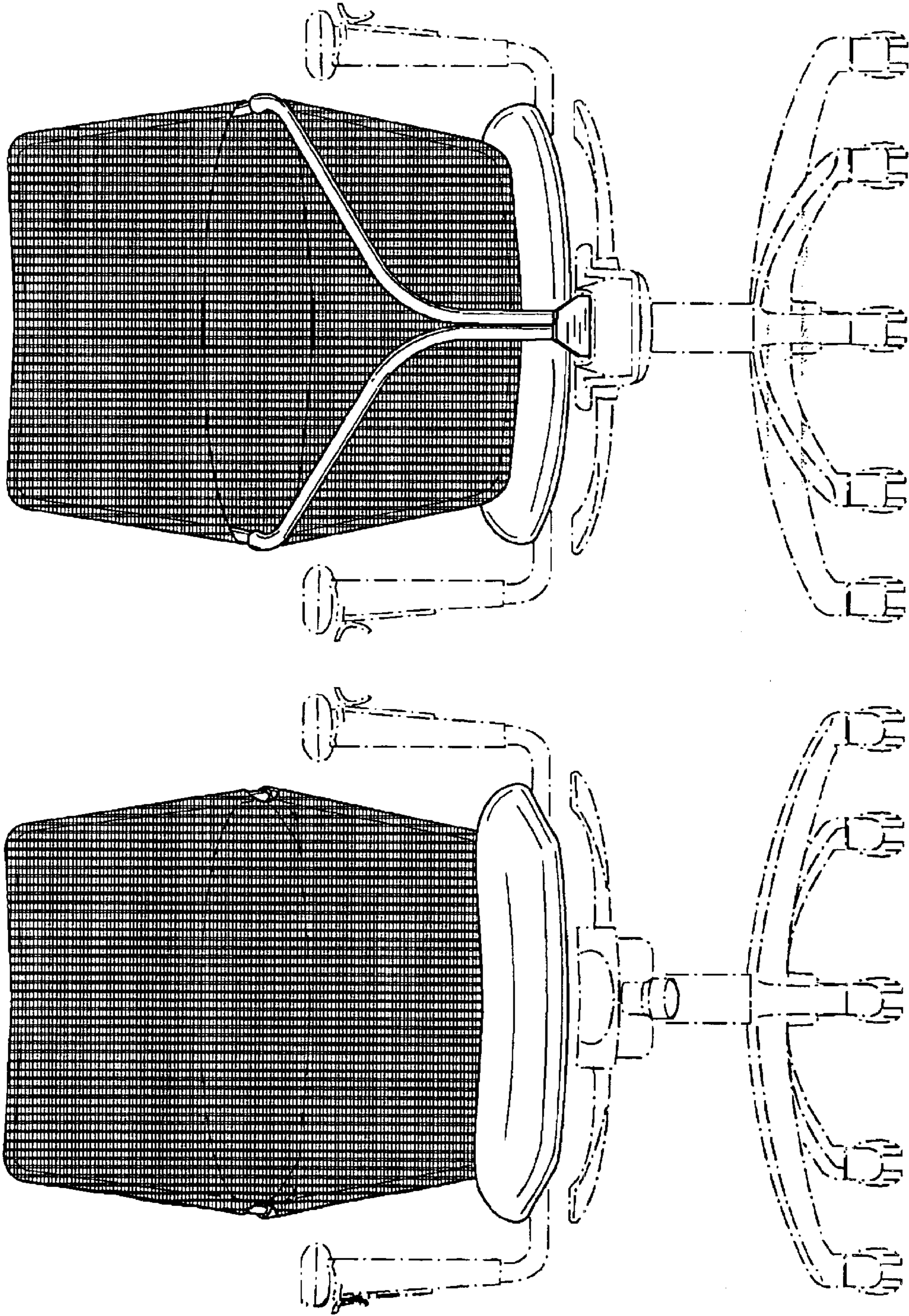


FIG. 6

FIG. 5

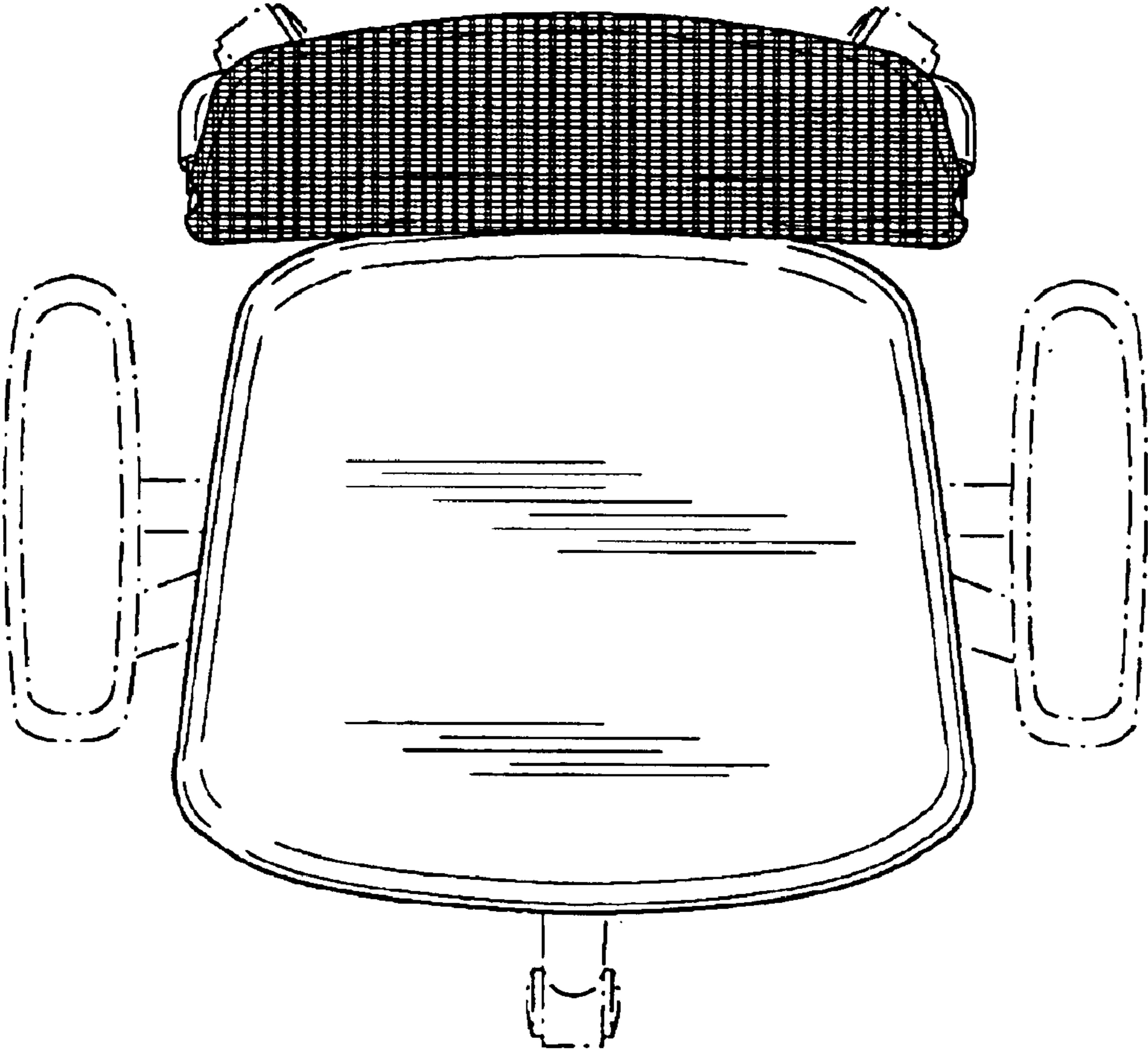


FIG. 7