



US00D506890S

(12) **United States Design Patent**  
**McDaniel et al.**

(10) **Patent No.:** **US D506,890 S**  
(45) **Date of Patent:** **\*\* Jul. 5, 2005**

(54) **TABLE BASE**

(75) Inventors: **Thomas M. McDaniel**, Morganton, NC (US); **D. Scott Coley**, Morganton, NC (US)

(73) Assignee: **Bernhardt, L.L.C.**, Lenoir, NC (US)

(\*\*) Term: **14 Years**

(21) Appl. No.: **29/199,965**

(22) Filed: **Feb. 20, 2004**

(51) **LOC (8) Cl.** ..... **06-06**

(52) **U.S. Cl.** ..... **D6/495**

(58) **Field of Search** ..... D6/480-489, 495-499, D6/429-431, 511, 477; 108/150, 153.1, 156, 157.1, 161, 65, 69, 77, 79, 83, 86; 248/188, 188.1, 188.8

(56) **References Cited**

**U.S. PATENT DOCUMENTS**

D192,603 S	*	4/1962	Dahl	.....	D6/488
D207,645 S	*	5/1967	Goetz	.....	D6/487
D283,863 S	*	5/1986	Bergelin	.....	D6/477
D291,953 S	*	9/1987	Keller	.....	D6/488
D438,727 S		3/2001	McDaniel et al.	.....	D6/446
D448,588 S		10/2001	O'Hare et al.	.....	D6/480
D448,590 S	*	10/2001	McDaniel et al.	.....	D6/495
D449,469 S		10/2001	O'Hare et al.	.....	D6/480
D455,296 S		4/2002	O'Hare et al.	.....	D6/470
D456,646 S		5/2002	McDaniel et al.	.....	D6/495
D458,052 S		6/2002	O'Hare et al.	.....	D6/470
D497,064 S	*	10/2004	Domack	.....	D6/480

**OTHER PUBLICATIONS**

Photocopy of a table; author unknown, undated.  
Photocopy of a table (top view); author unknown, undated.  
Photocopy of a table from the Historical James River Plantation; undated.

Photocopy of a tabel; author unknown, undated.  
Photocopy of a table; author unknown, undated.  
Photocopy of scrollwork; author unknown, undated.  
Photocopy of a table from Ethan Allen catalog; p. 324, copyright 1998.  
Photocopy of scrollwork at an entry-way; Gilbert Poillerat, circa 1930.  
Photocopy of a table; LaBarge, possible date Mar. 23, 1973.  
Photocopy of a table base; author unknown, undated.  
Photocopy of scrollwork around a staircase at Henri Bendel's in New York, undated.  
Photocopy of a seat; author unknown, undated.  
Photocopy of a table and scrollwork; author unknown, undated.

\* cited by examiner

*Primary Examiner*—Janice E. Seeger  
(74) *Attorney, Agent, or Firm*—MacCord Mason PLLC

(57) **CLAIM**

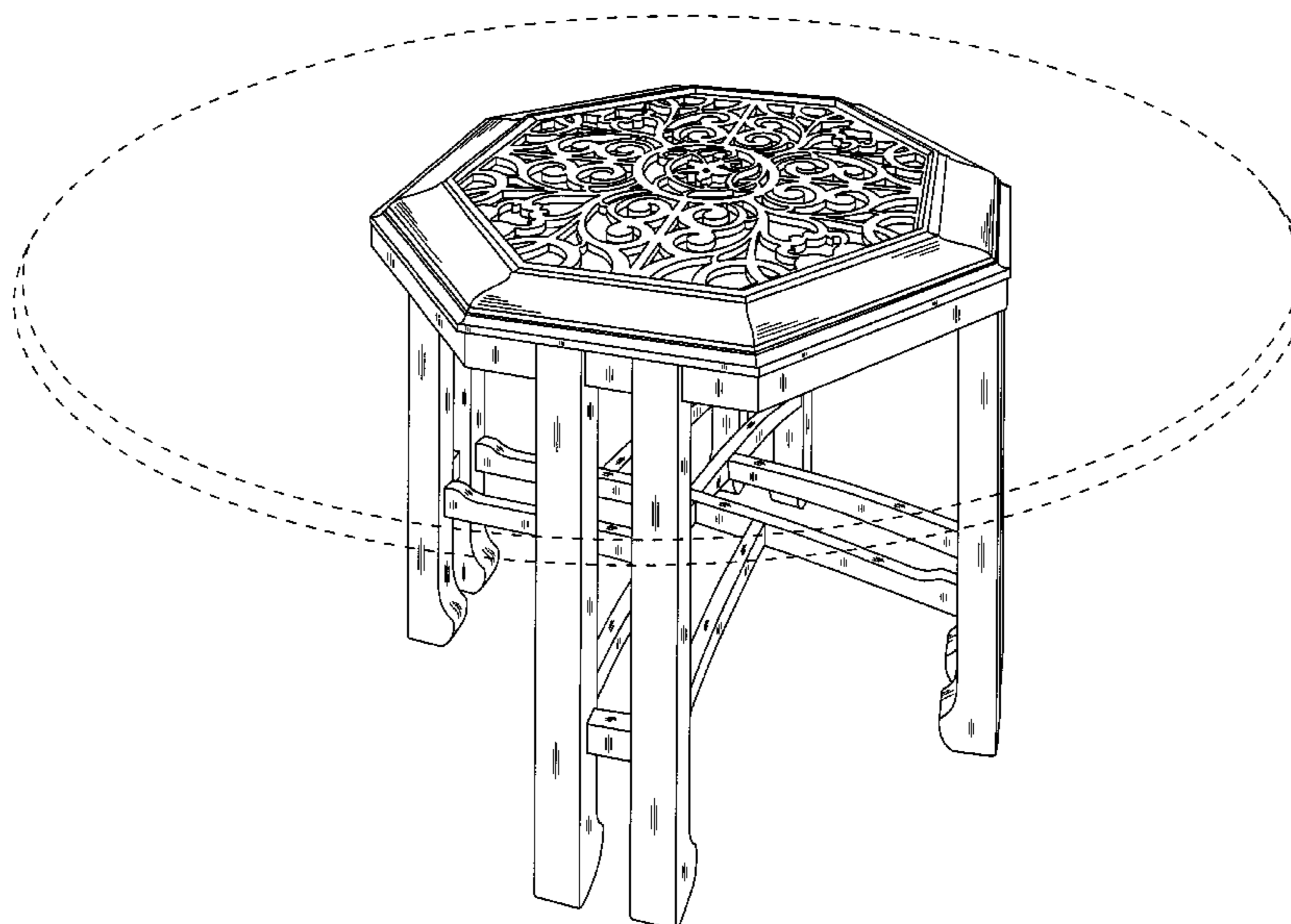
The ornamental design for a table base, as shown and described.

**DESCRIPTION**

FIG. 1 is a front perspective view of a table base showing my new design;  
FIG. 2 is a side view, the opposite side and left and right side views identical; and,  
FIG. 3 is a top view thereof.

The broken lines are for environmental purposes only and form no part of the claimed design.

**1 Claim, 3 Drawing Sheets**



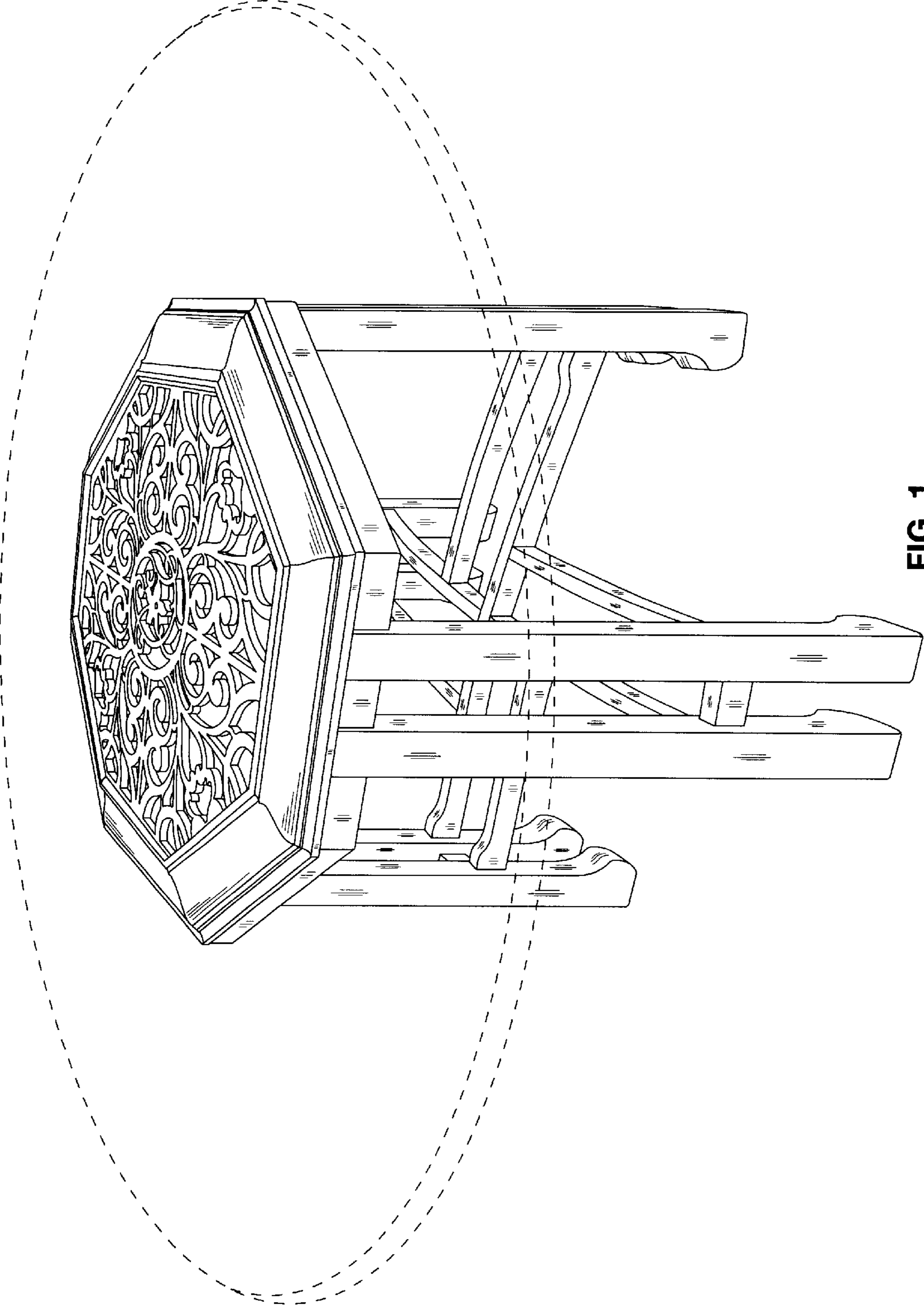


FIG. 1

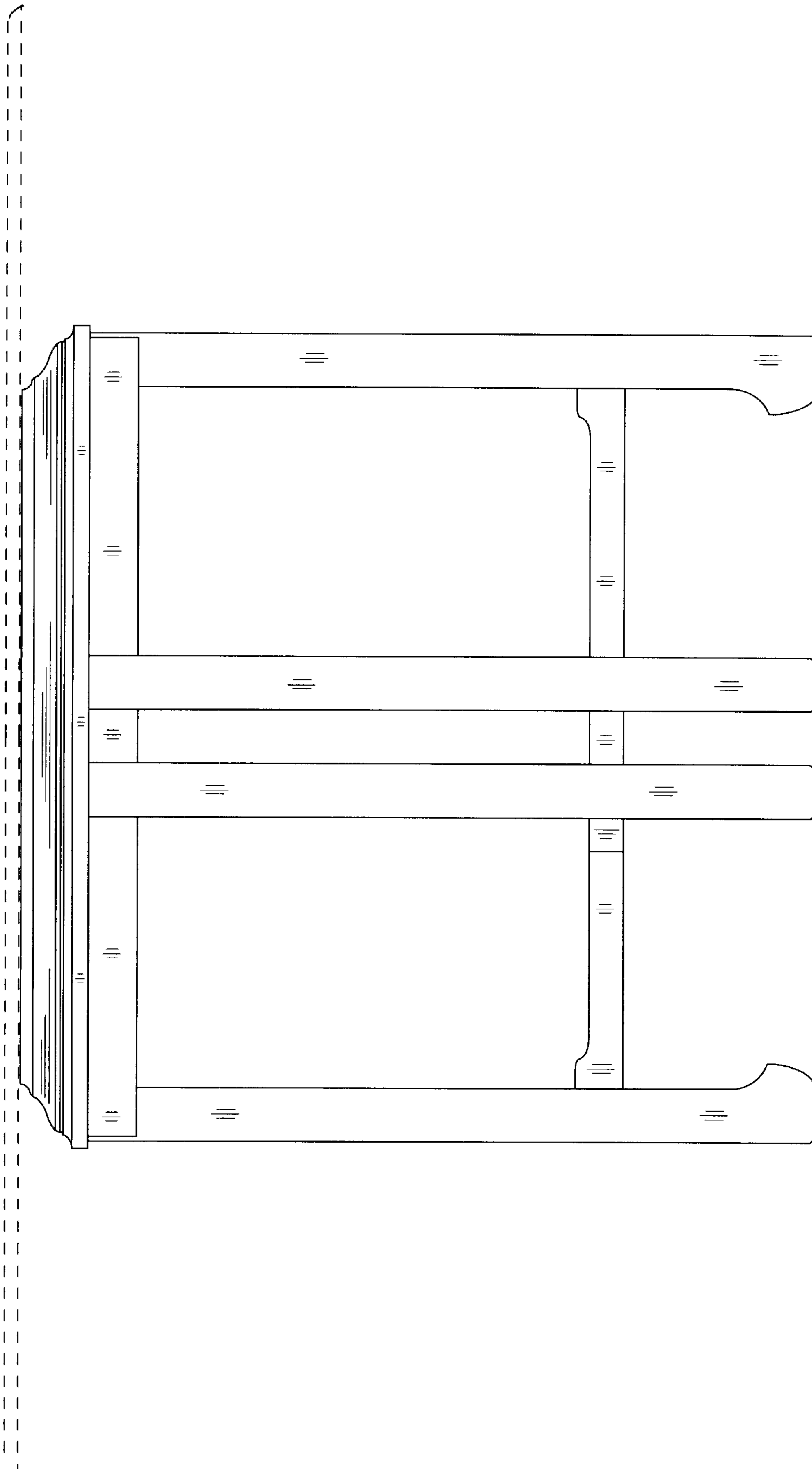


FIG. 2

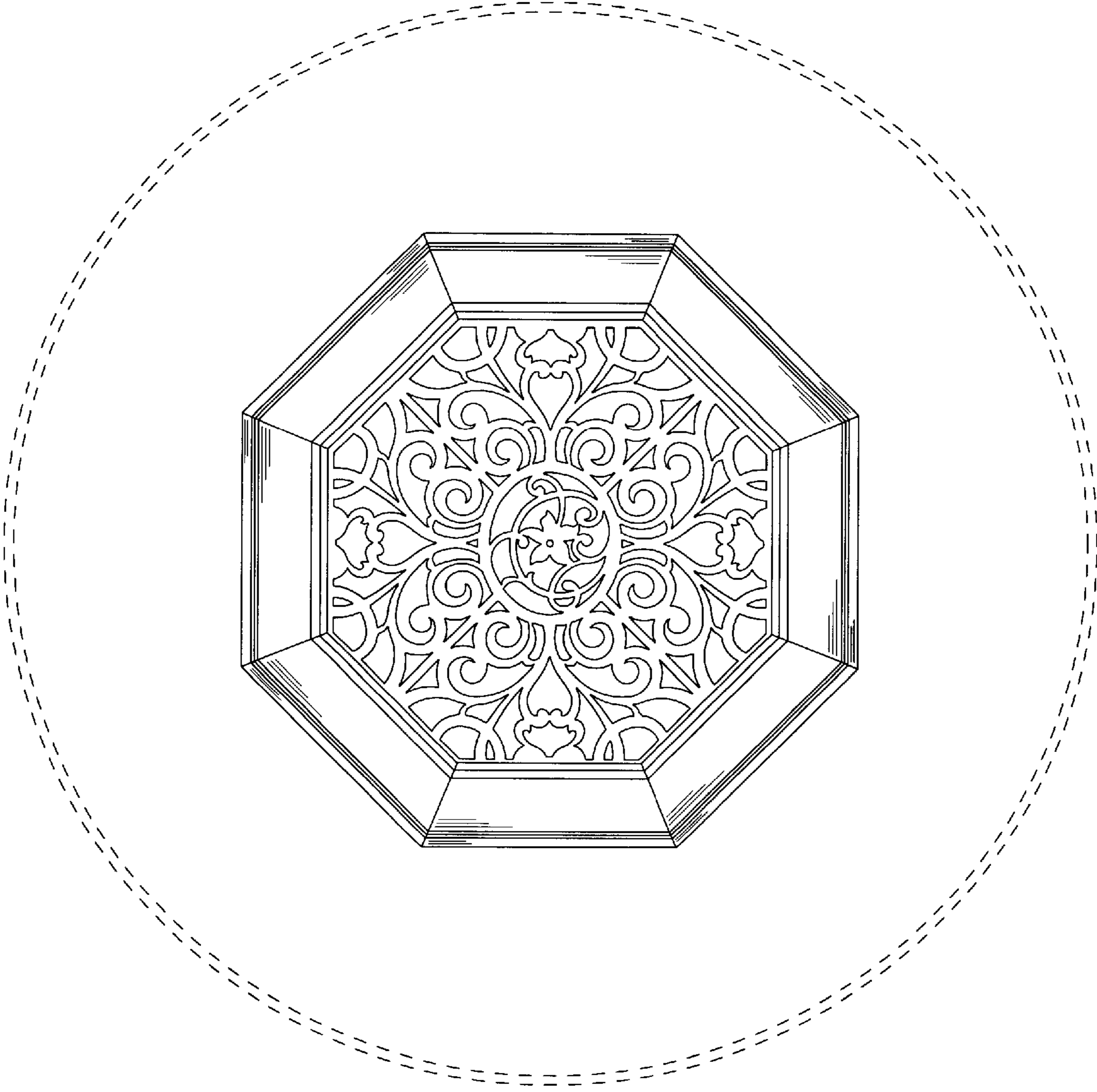


FIG. 3