

US00D506888S

(12) **United States Design Patent**
Althofer

(10) **Patent No.:** **US D506,888 S**

(45) **Date of Patent:** **** Jul. 5, 2005**

(54) **TRADING TABLE**

(75) **Inventor:** **Gerd Althofer**, New York, NY (US)

(73) **Assignee:** **The Mayline Company**, Sheboygan, WI (US)

(**) **Term:** **14 Years**

(21) **Appl. No.:** **29/199,623**

(22) **Filed:** **Feb. 18, 2004**

(51) **LOC (8) Cl.** **06-03**

(52) **U.S. Cl.** **D6/480**

(58) **Field of Search** D6/480-489, 495-499,
D6/429-431, 511, 477; 108/150, 153.1,
156, 157.1, 161, 65, 69, 77, 79, 83, 86;
248/188, 188.1, 188.8

(56) **References Cited**

U.S. PATENT DOCUMENTS

D144,565 S * 4/1946 Hollis D6/488
D150,340 S * 7/1948 Cuenningham D6/480

D339,483 S * 9/1993 Hollington D6/429
D367,193 S * 2/1996 Dame et al. D6/495
D472,404 S * 4/2003 Mavis D6/484

* cited by examiner

Primary Examiner—Janice E. Seeger

(74) *Attorney, Agent, or Firm*—Andrus, Scales, Starke & Sawall, LLP

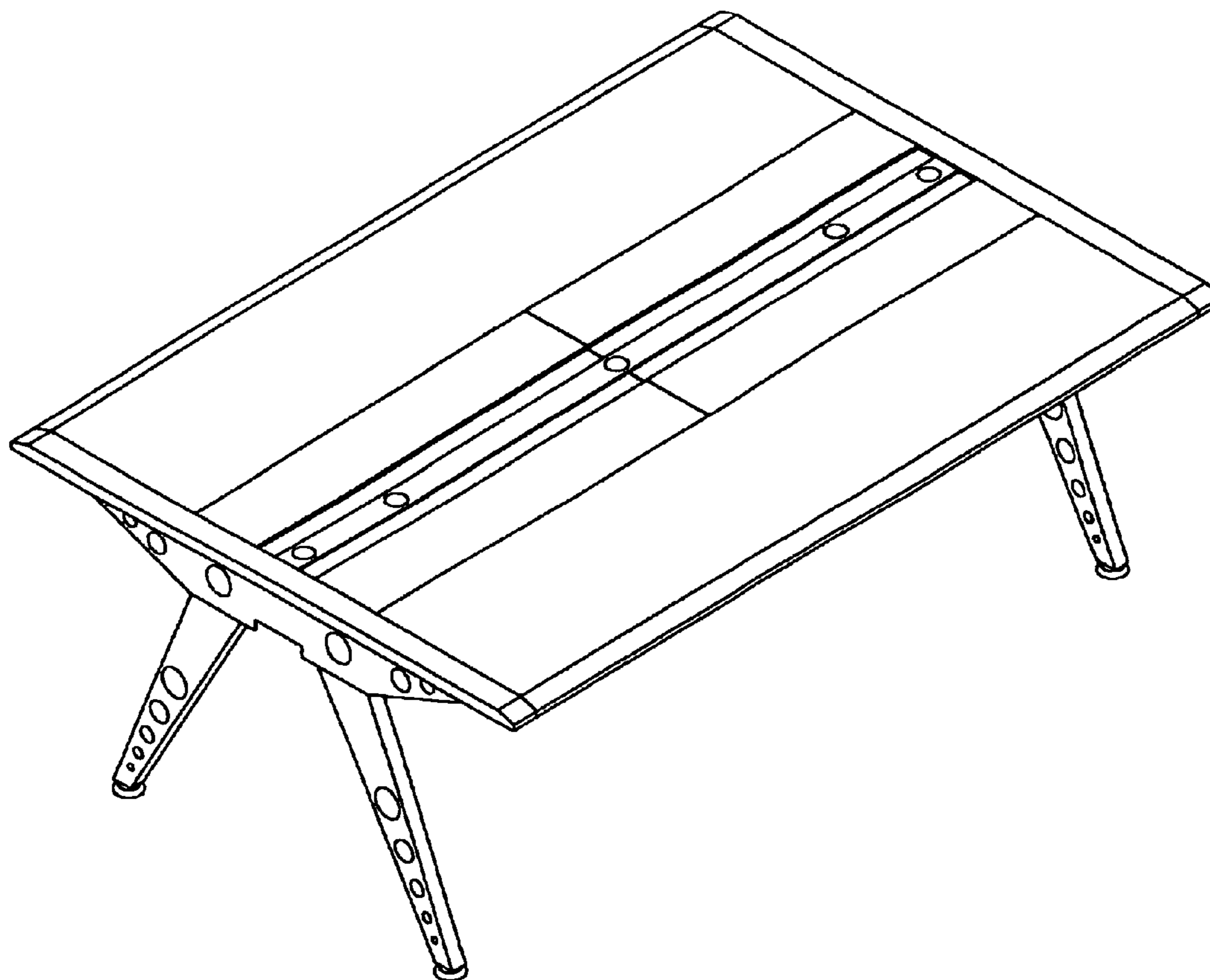
(57) **CLAIM**

The ornamental design of a trading table, as shown and described.

DESCRIPTION

FIG. 1 is a perspective view of a trading table, showing my new design;
FIG. 2 is a front elevational view, the rear being identical thereto;
FIG. 3 is a top plan view; and,
FIG. 4 is a right side elevational view, the left side being identical thereto.

1 Claim, 4 Drawing Sheets



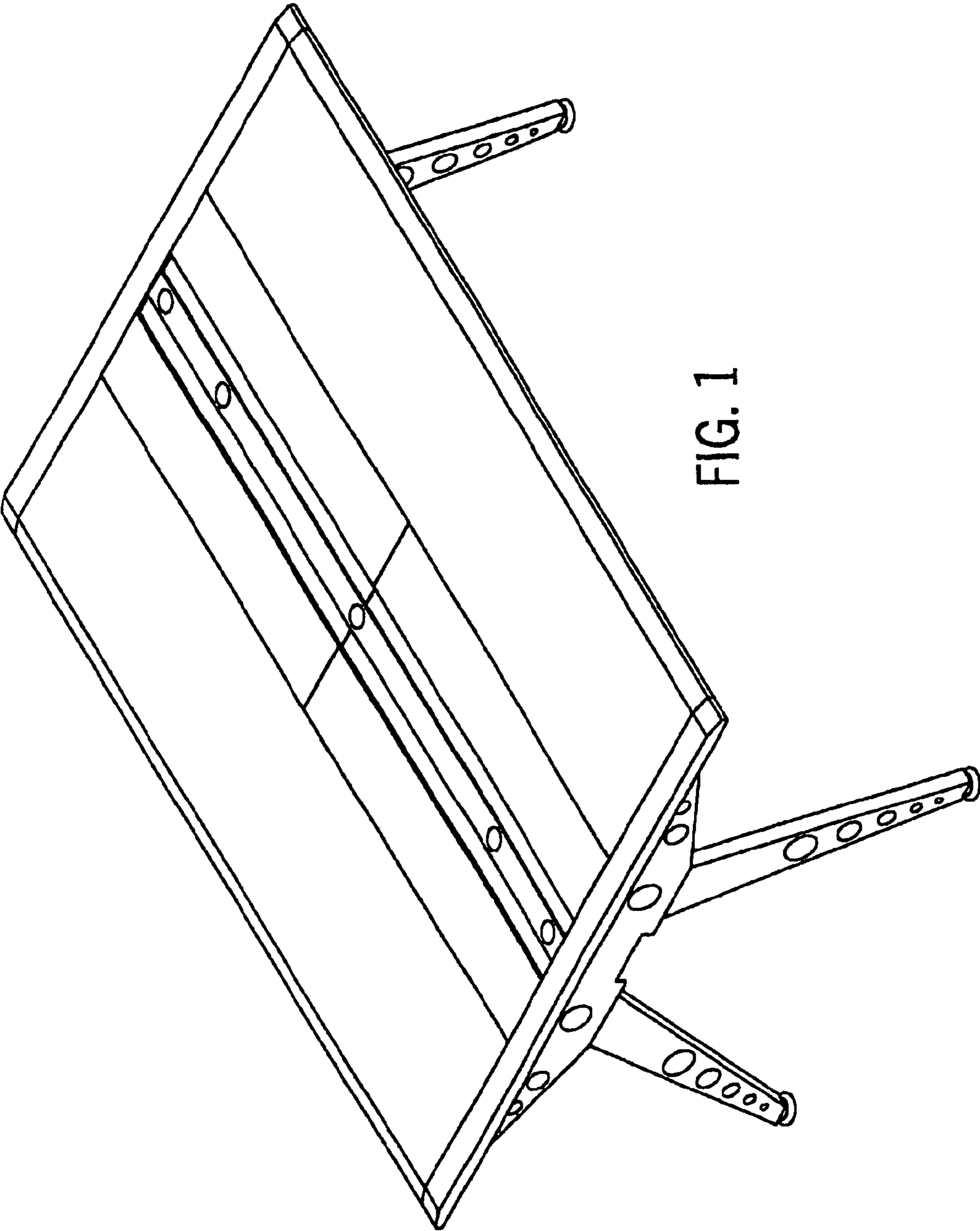
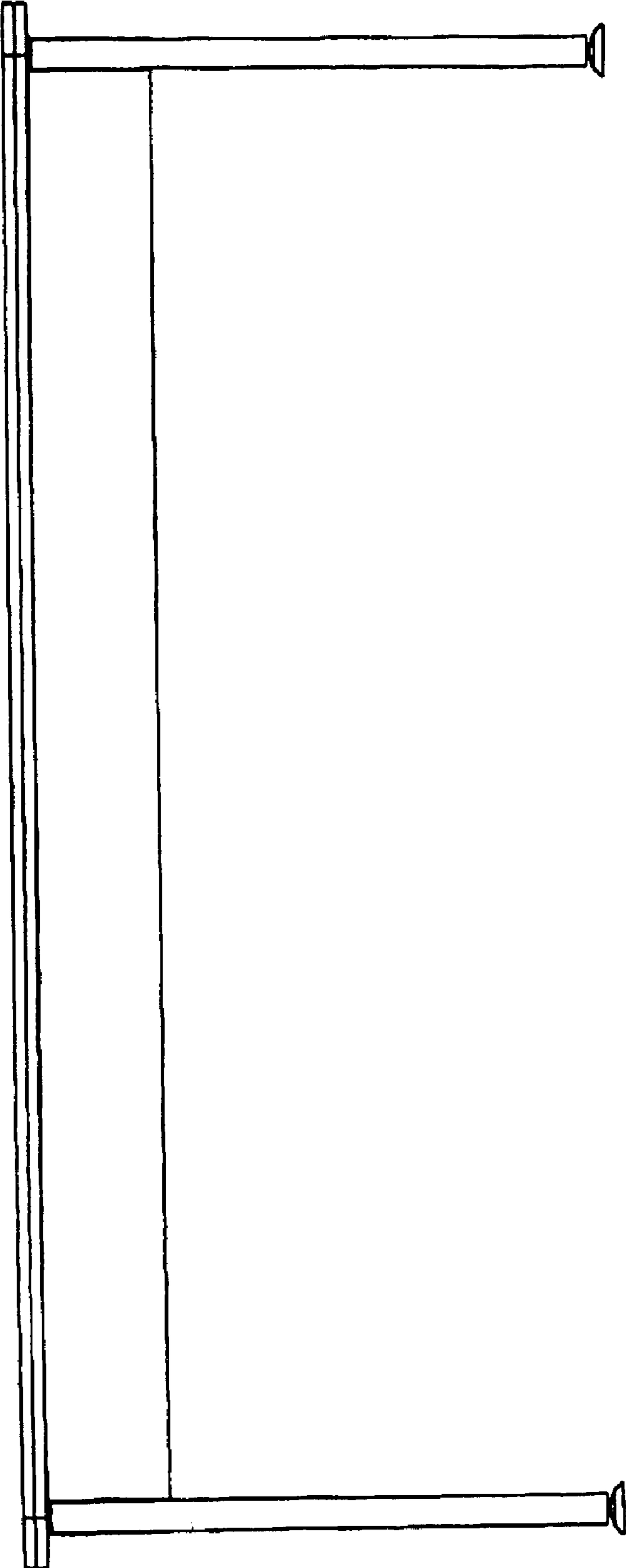


FIG. 1

FIG. 2



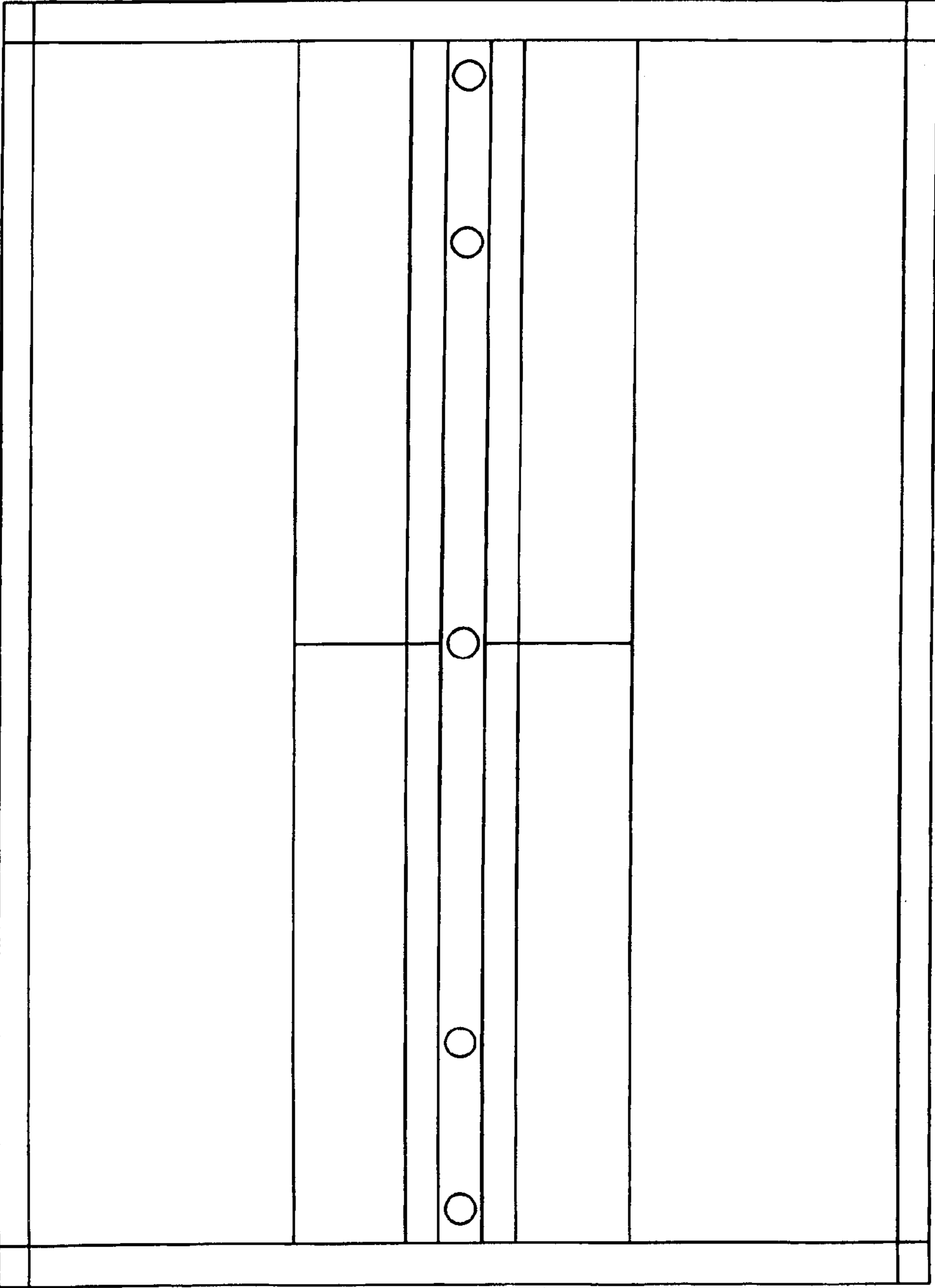


FIG. 3

