

US00D506880S

(12) **United States Design Patent**  
**Cantarutti**

(10) **Patent No.:** **US D506,880 S**

(45) **Date of Patent:** **\*\* Jul. 5, 2005**

(54) **CHAIR**

D296,274 S \* 6/1988 Winters ..... D6/368  
D347,122 S \* 5/1994 Kolberg ..... D6/368

(75) Inventor: **Robby Cantarutti, Buttrio (IT)**

\* cited by examiner

(73) Assignee: **Armet S.r.l., Manzano (IT)**

*Primary Examiner*—Mimosa De

(\*\*) Term: **14 Years**

(74) *Attorney, Agent, or Firm*—Harrison & Egbert

(21) Appl. No.: **29/194,136**

(57) **CLAIM**

(22) Filed: **Nov. 18, 2003**

I claim the ornamental design for a chair, as shown and described.

(30) **Foreign Application Priority Data**

**DESCRIPTION**

May 28, 2003 (IT) ..... 36686

FIG. 1 is an upper perspective view of the chair showing my design.

(51) **LOC (8) Cl.** ..... **06-01**

FIG. 2 is a front view thereof;

(52) **U.S. Cl.** ..... **D6/368**

FIG. 3 is a back view thereof;

(58) **Field of Search** ..... D6/334–336, 368,

FIG. 4 is a top plan view thereof;

D6/374, 376, 380, 500–502; 297/16.1, 40,

FIG. 5 is a bottom view thereof;

41, 55, 56, 58, 59, 239

FIG. 6 is a side view thereof;

(56) **References Cited**

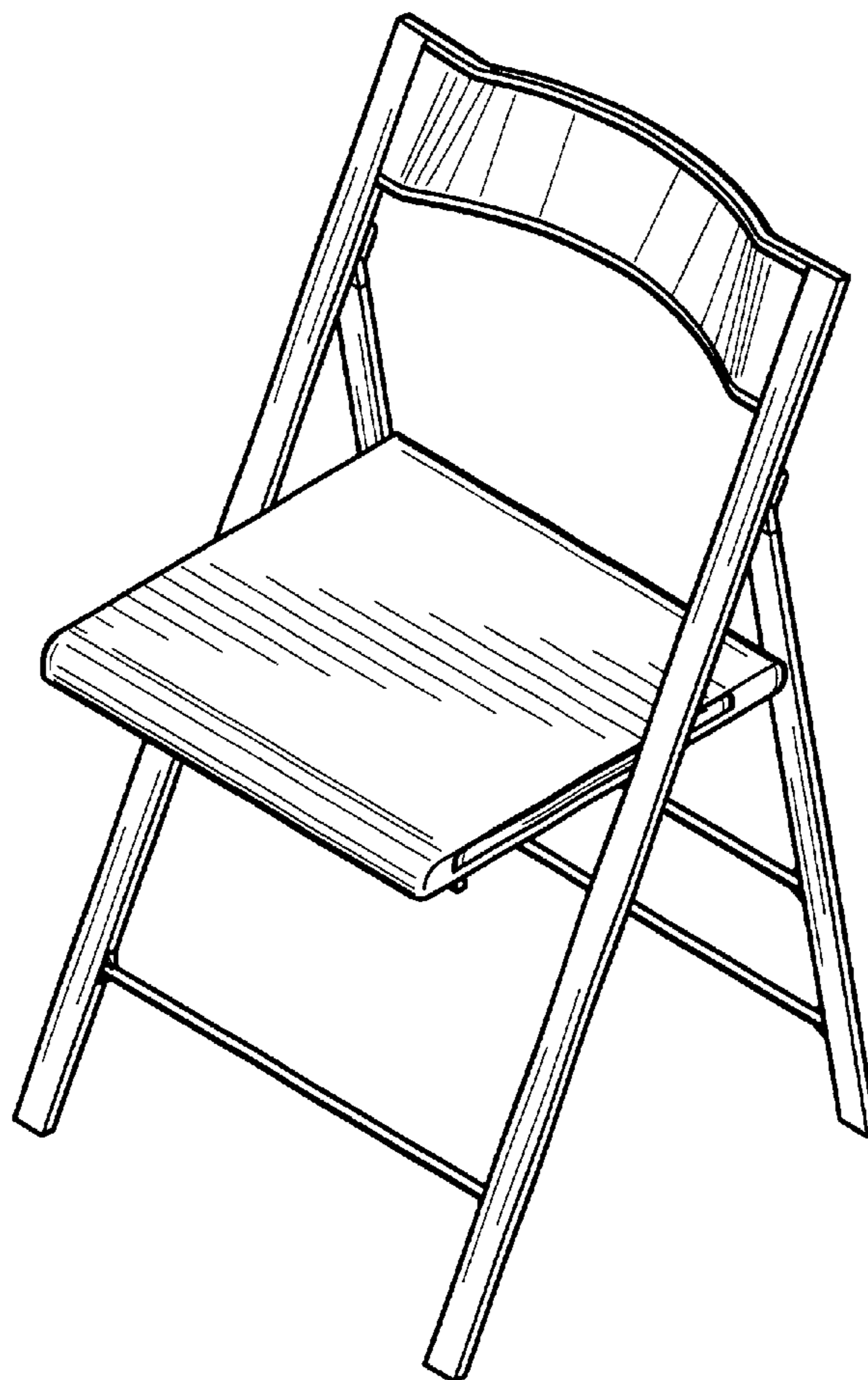
FIG. 7 is an opposite side view thereof; and,

**U.S. PATENT DOCUMENTS**

FIG. 8 is a partial close-up side view of a connection between front and back frames of the chair shown in FIG. 7.

D214,267 S \* 5/1969 Moore et al. .... D6/368

**1 Claim, 3 Drawing Sheets**



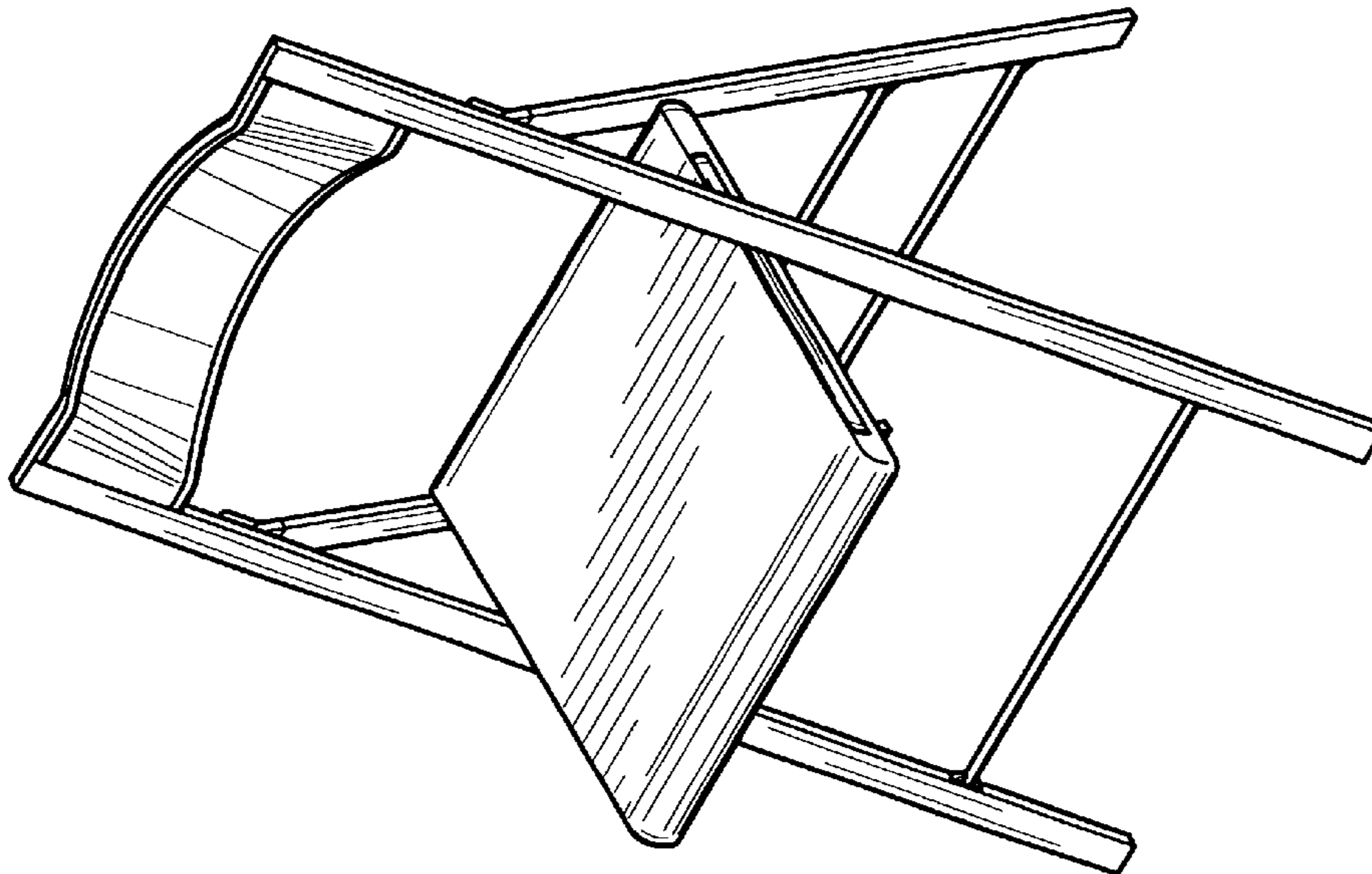


FIG. 1

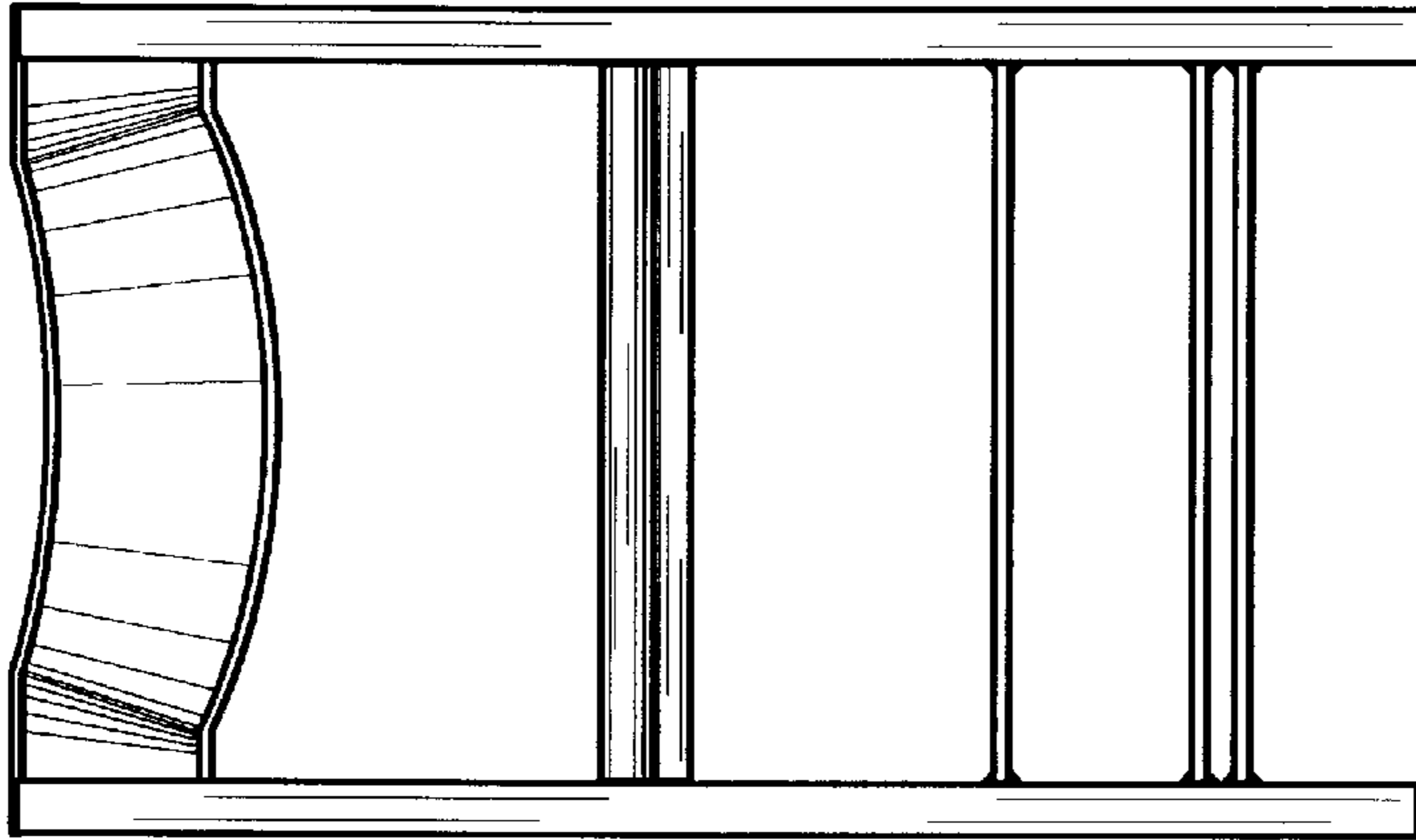


FIG. 2

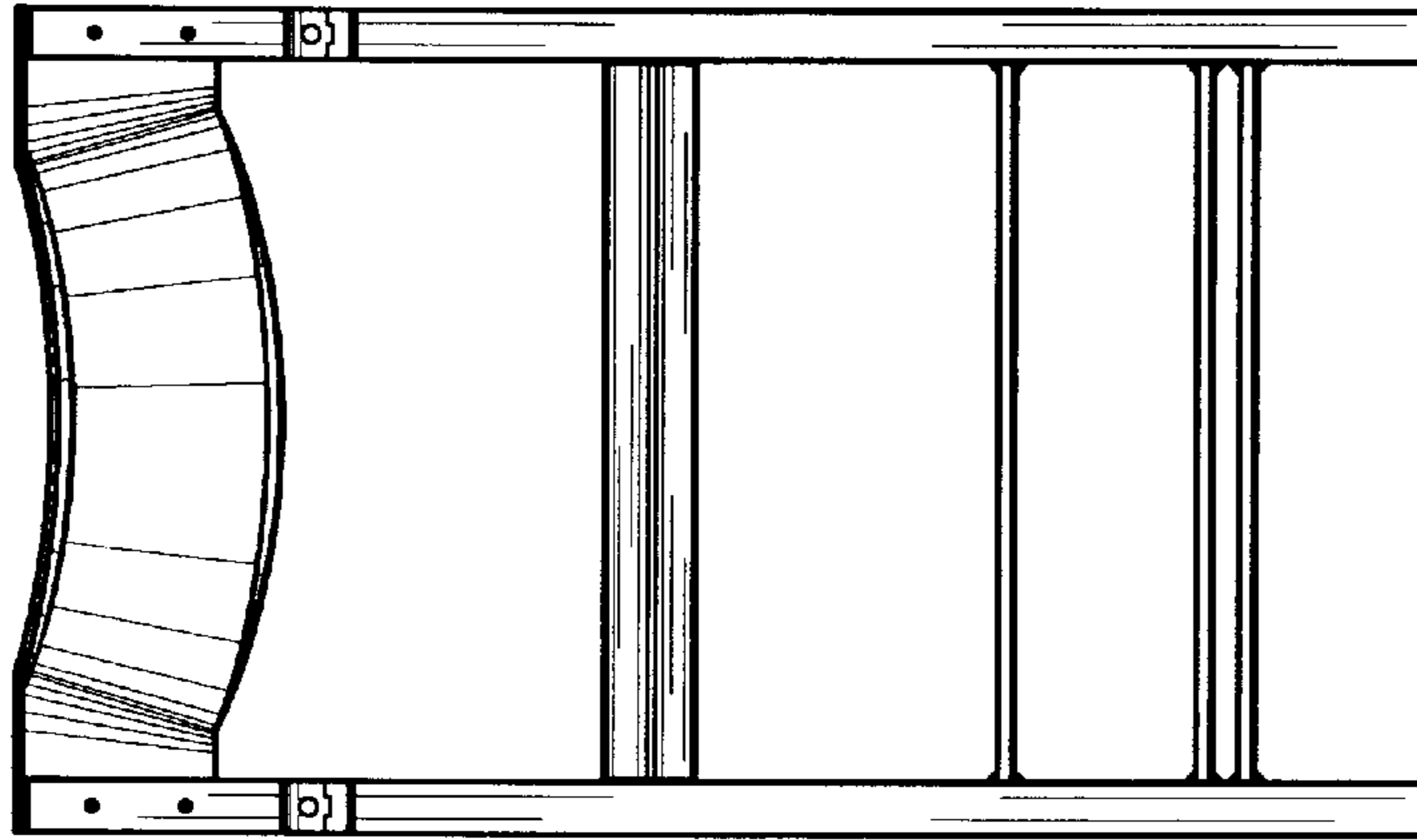


FIG. 3

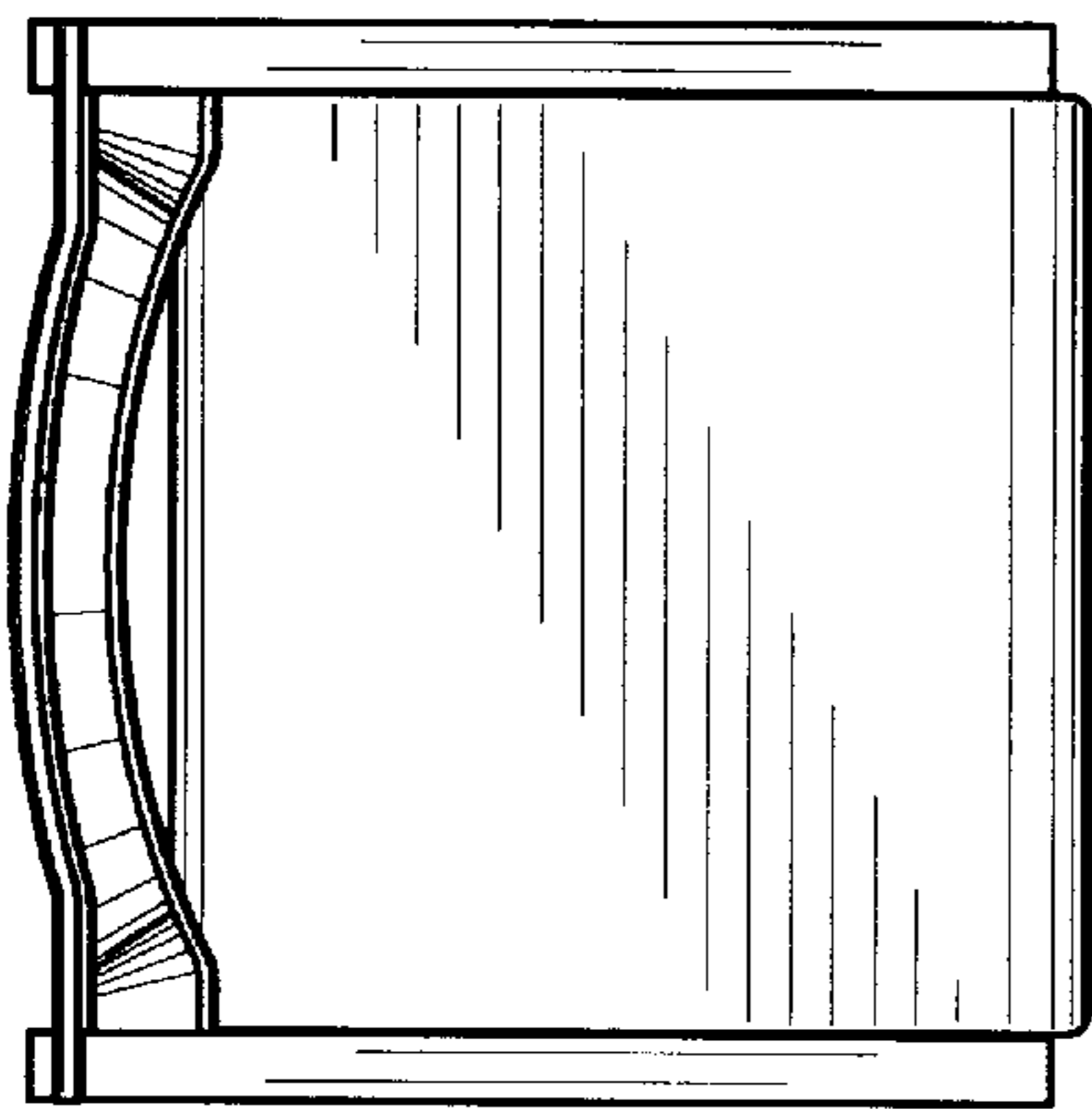


FIG. 4

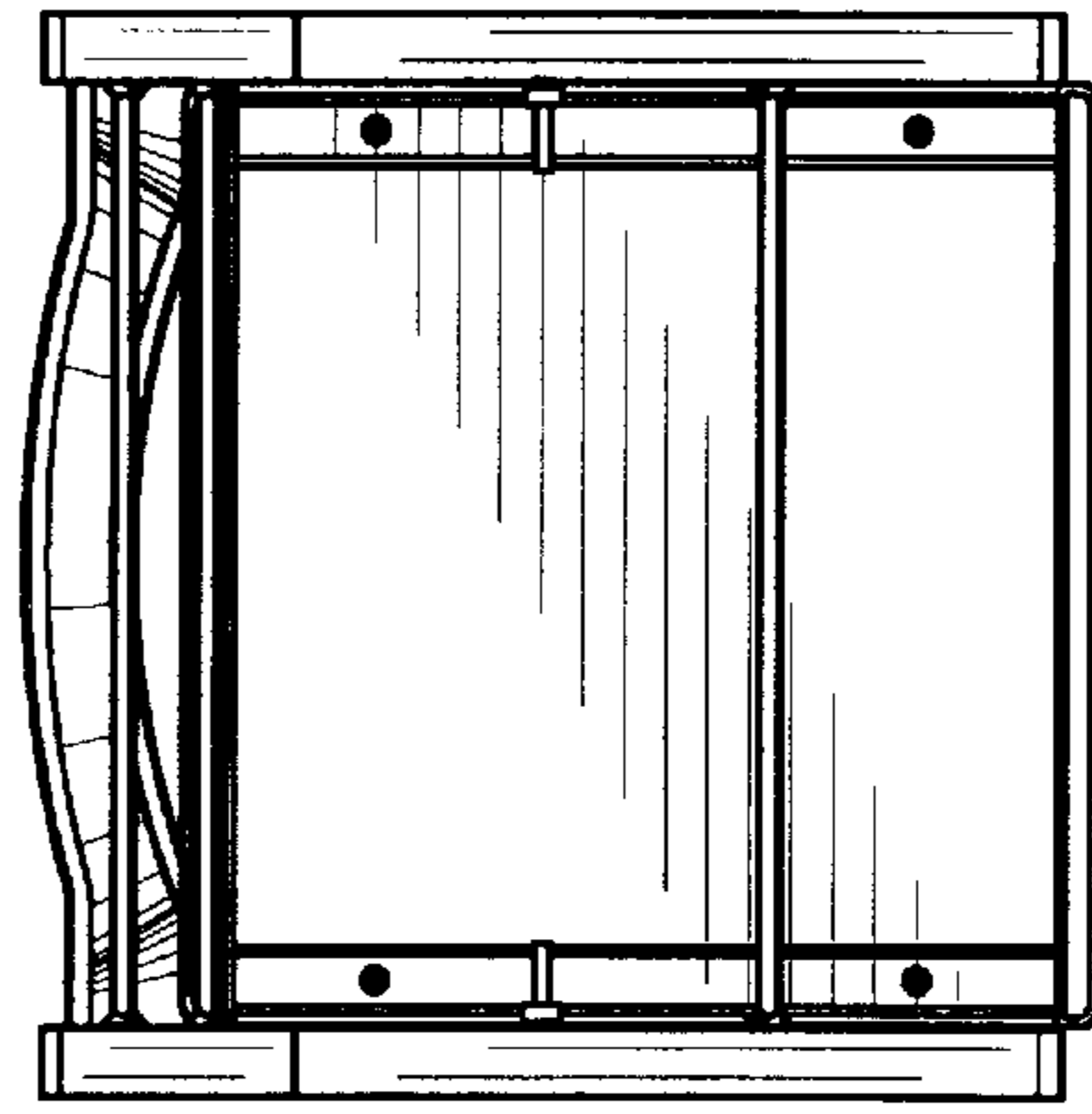


FIG. 5

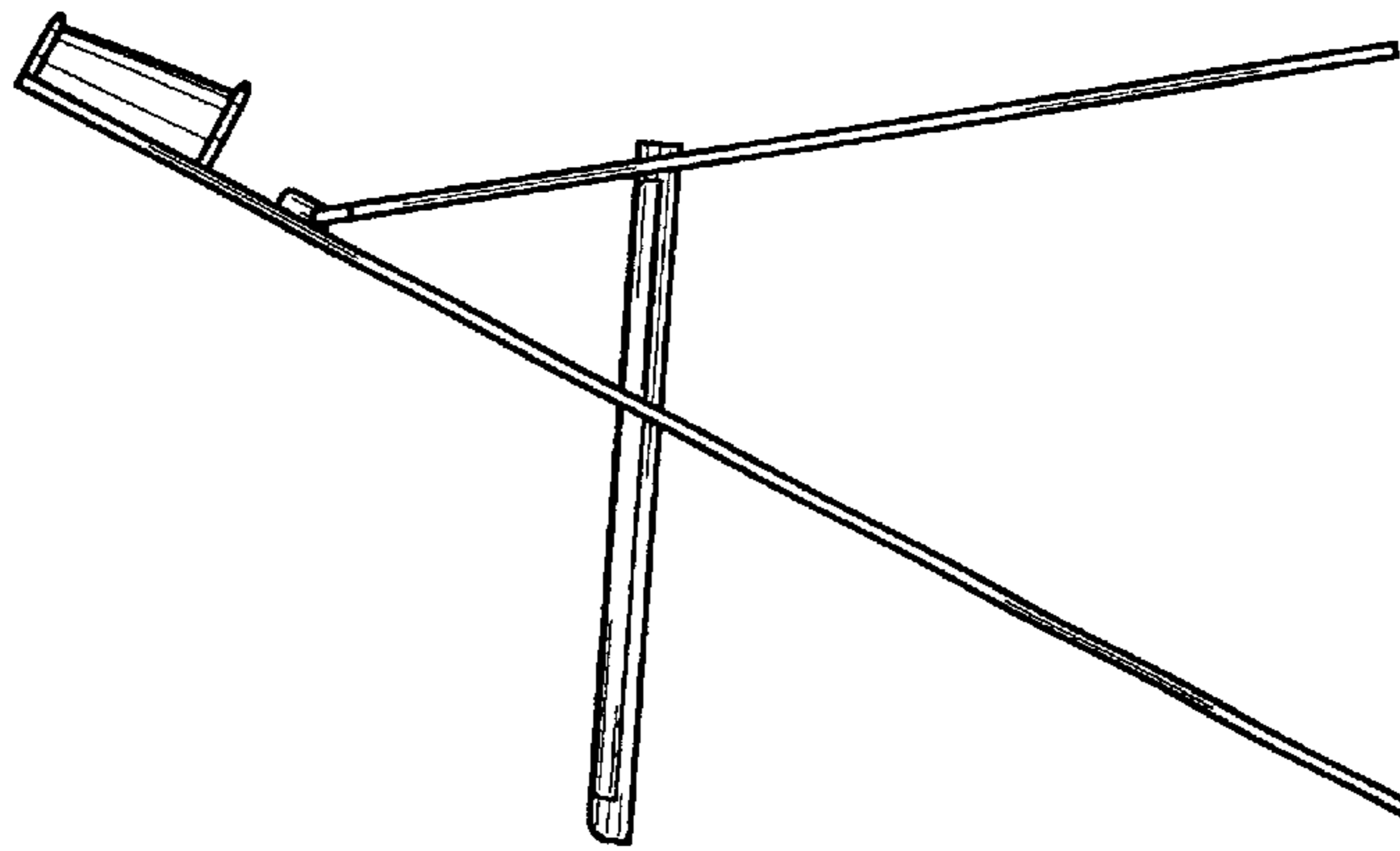


FIG. 6

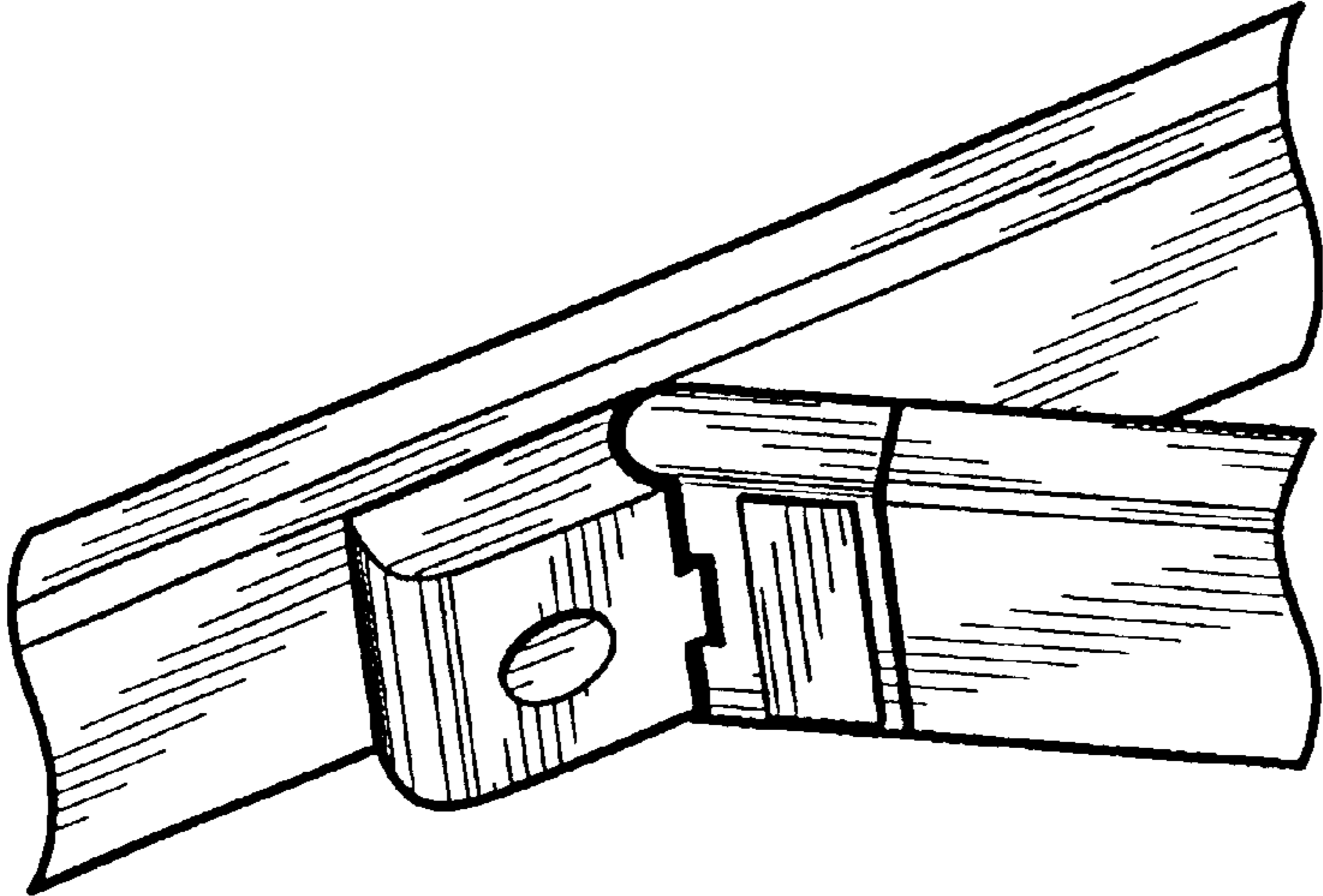


FIG. 8

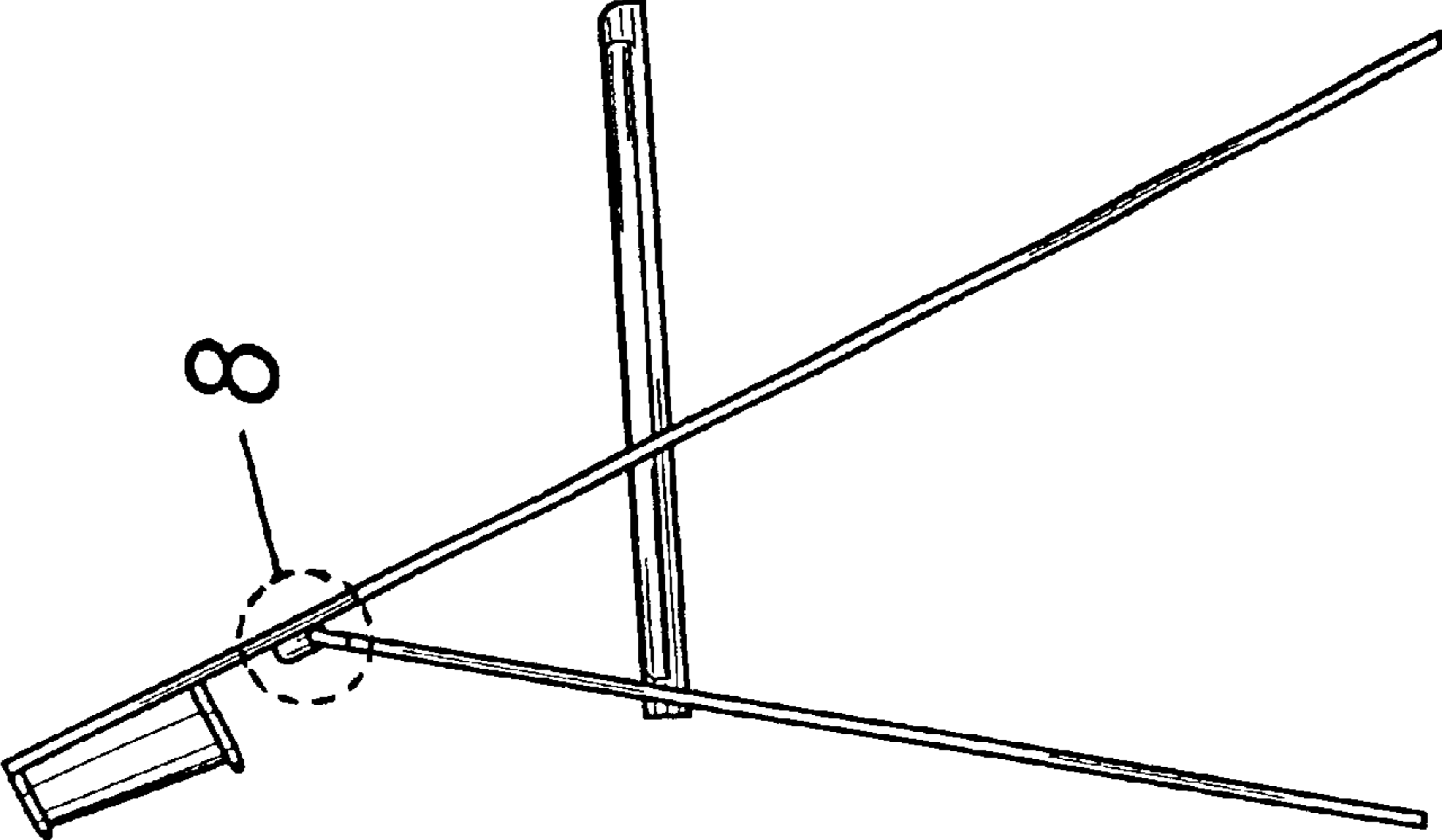


FIG. 7