

US00D506877S

(12) **United States Design Patent**
Snell

(10) **Patent No.:** **US D506,877 S**

(45) **Date of Patent:** **** Jul. 5, 2005**

(54) **SUCTION MIRROR**

(75) **Inventor:** **Russell Benton Snell**, Bentleyville, OH (US)

(73) **Assignee:** **InterDesign, Inc.**, Solon, OH (US)

(**) **Term:** **14 Years**

(21) **Appl. No.:** **29/213,047**

(22) **Filed:** **Sep. 10, 2004**

(51) **LOC (8) Cl.** **06-07**

(52) **U.S. Cl.** **D6/300**

(58) **Field of Search** D6/300-314, 444;
40/700, 711, 719, 714-716, 720-722, 735,
738, 597, 744, 745, 754, 765, 768, 769,
790, 798; D20/29-32, 10; 248/466-467;
D11/131, 133-135; 359/838, 871-872

(56) **References Cited**

U.S. PATENT DOCUMENTS

D324,463 S * 3/1992 Young D6/525
D486,962 S 2/2004 Snell
D492,493 S 7/2004 Dretzka

OTHER PUBLICATIONS

Bath, InterDesign, Inc. 1998 product brochure, p. 13 w/front and back covers.

* cited by examiner

Primary Examiner—Janice E. Seeger
Assistant Examiner—Sydney R. Buffalow

(74) *Attorney, Agent, or Firm*—D. Peter Hochberg; Sean Mellino; Katherine R. Vieyra

(57) **CLAIM**

The ornamental design for a suction mirror, as shown and described.

DESCRIPTION

FIG. 1 is a perspective view of the suction mirror according to the invention;

FIG. 2 is a top view of the suction mirror as shown in FIG. 1;

FIG. 3 is a front view of the suction mirror as shown in FIG. 1;

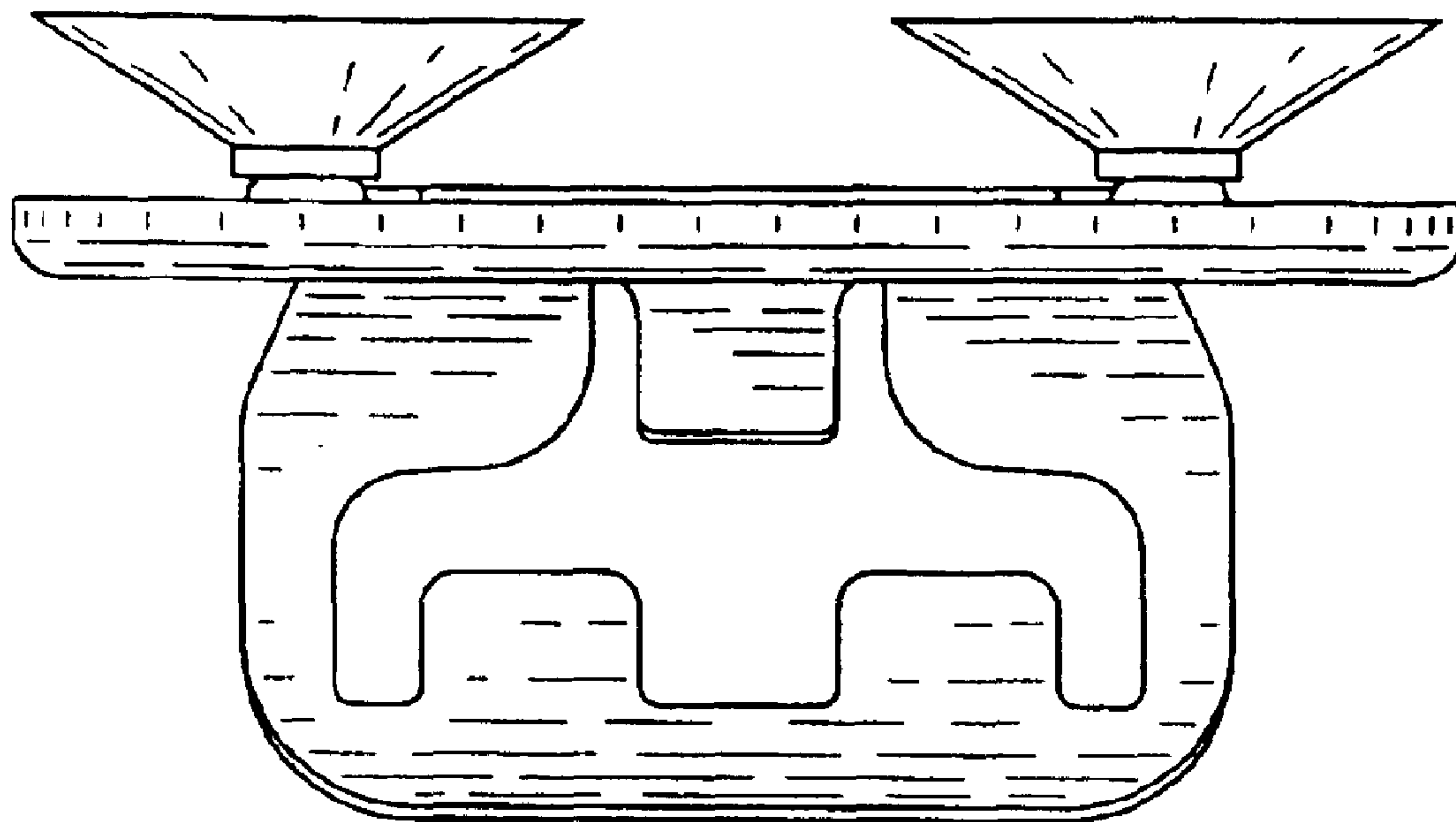
FIG. 4 is a side view of the suction mirror as shown in FIG. 1;

FIG. 5 is a rear view of the suction mirror as shown in FIG. 1;

FIG. 6 is a side view of the suction mirror as shown in FIG. 1, viewed from the opposite side of that shown in FIG. 4; and,

FIG. 7 is a bottom view of the suction mirror as shown in FIG. 1.

1 Claim, 3 Drawing Sheets



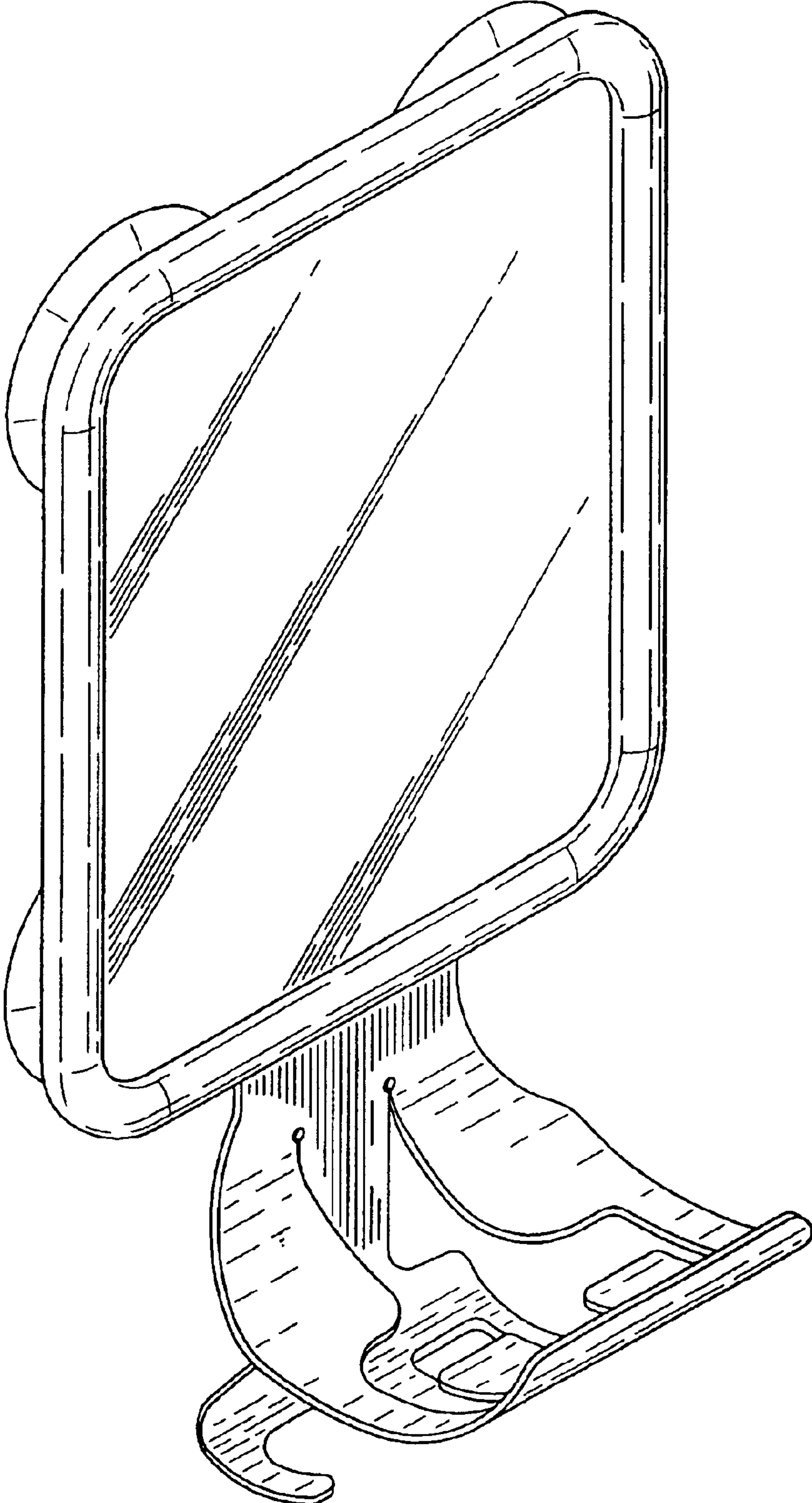


FIG-1

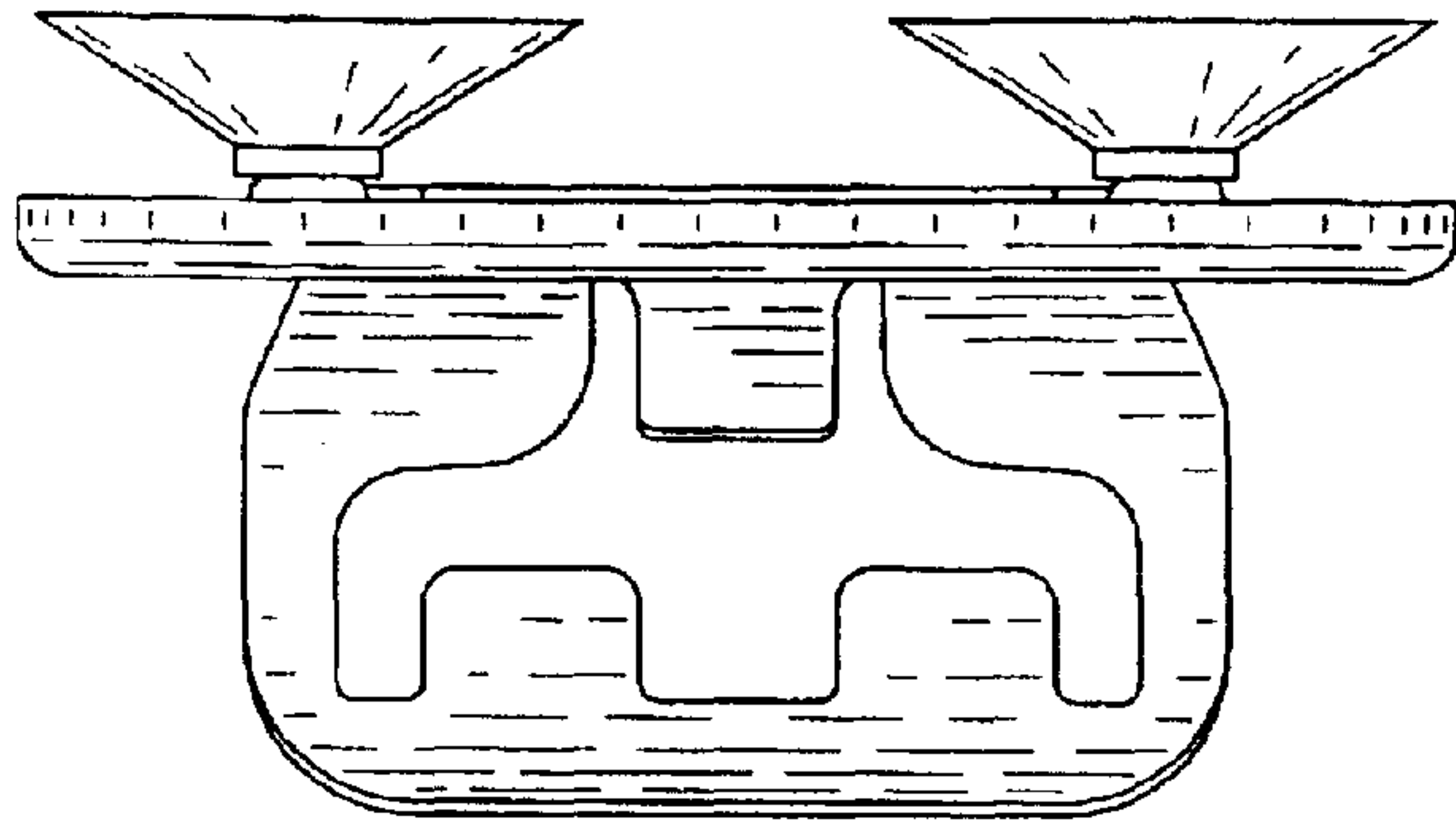


FIG-2

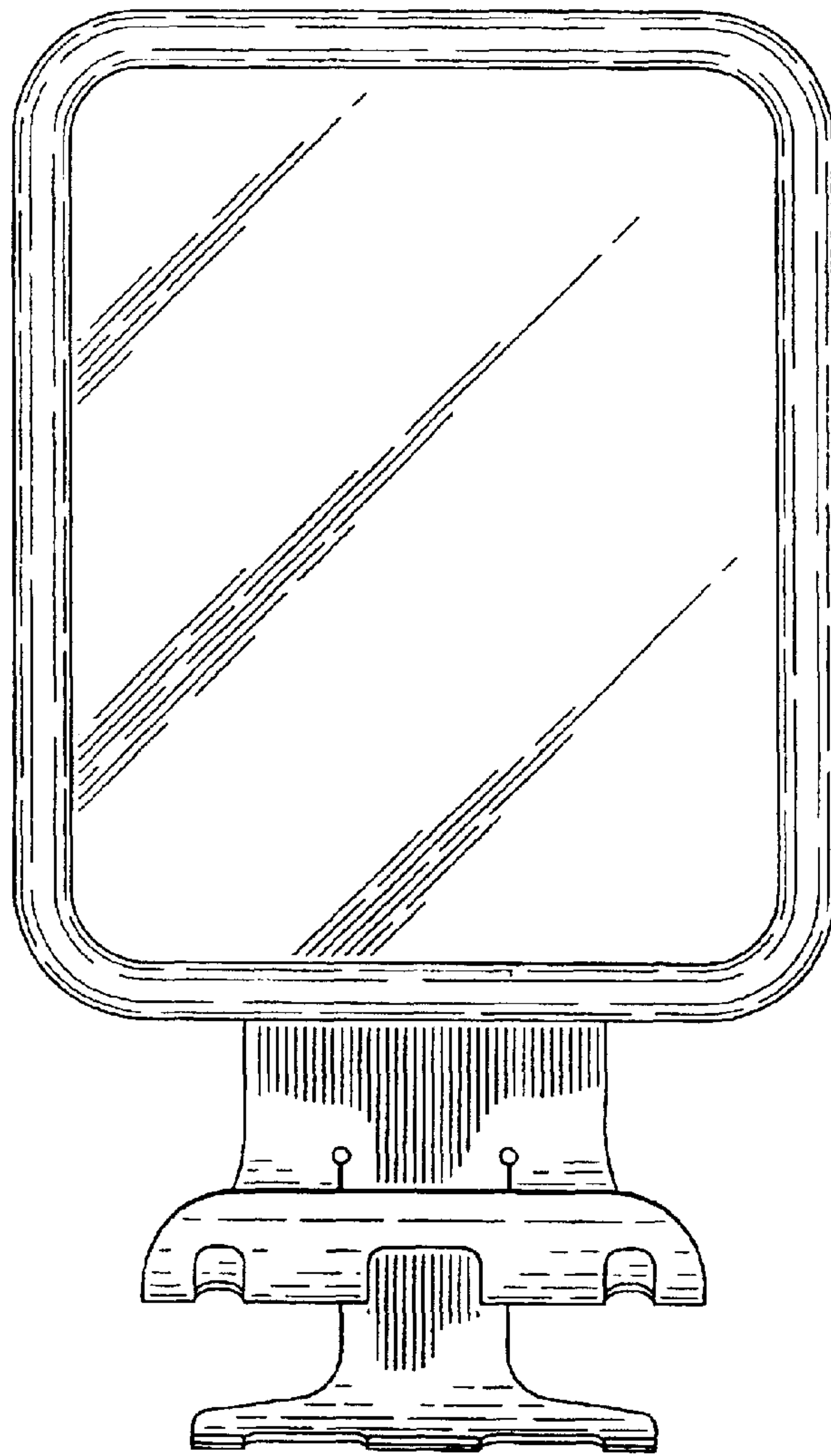


FIG-3

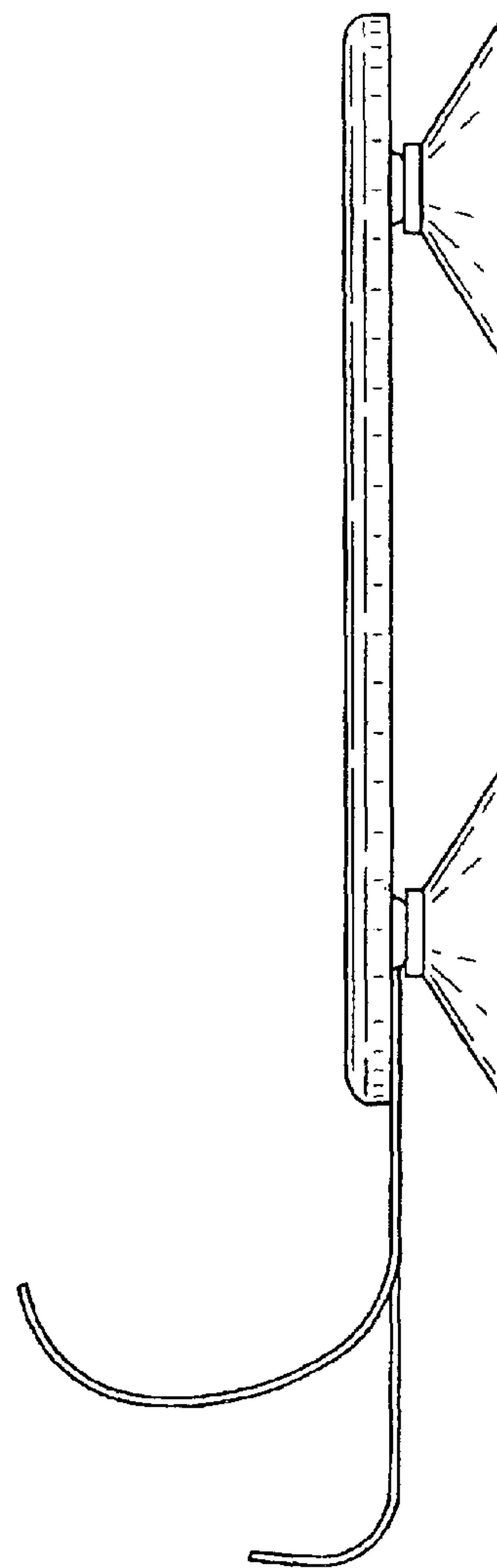


FIG-4

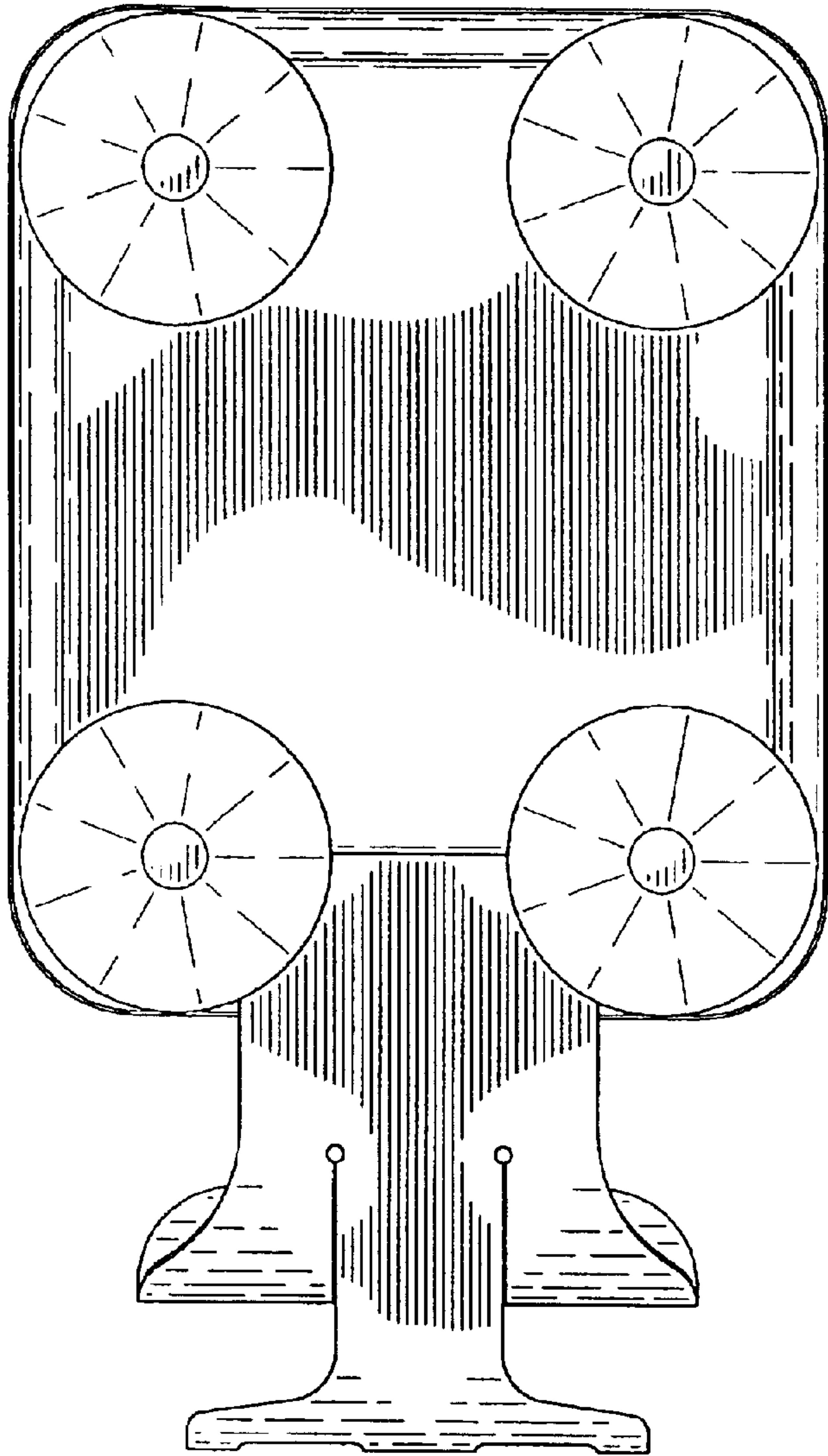


FIG-5

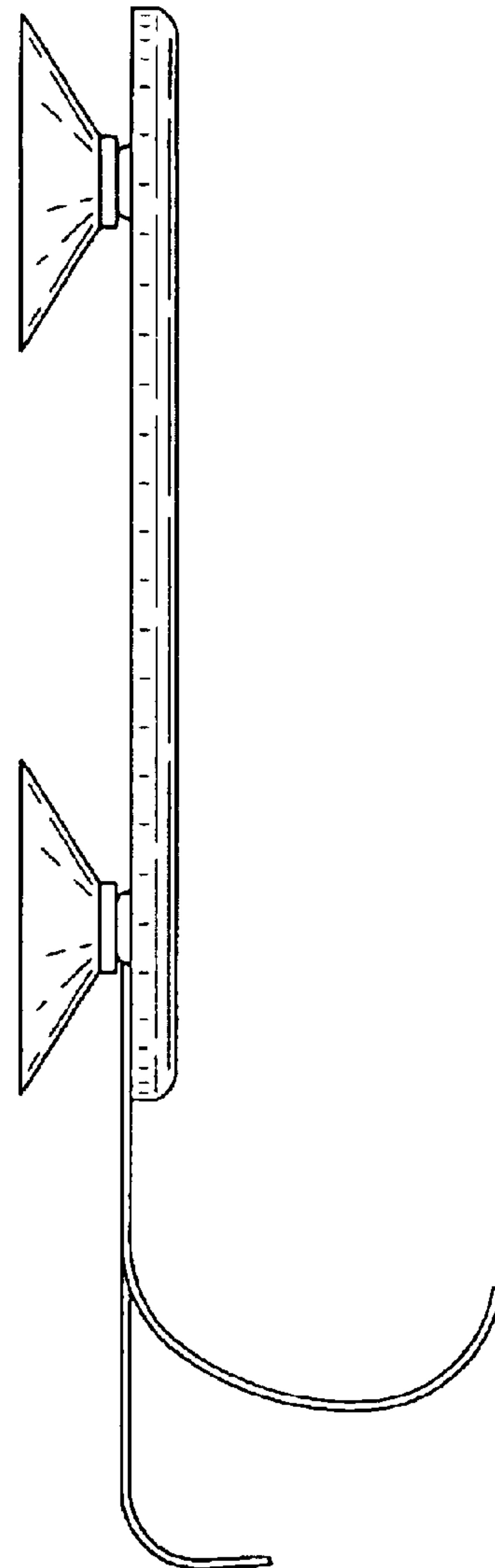


FIG-6

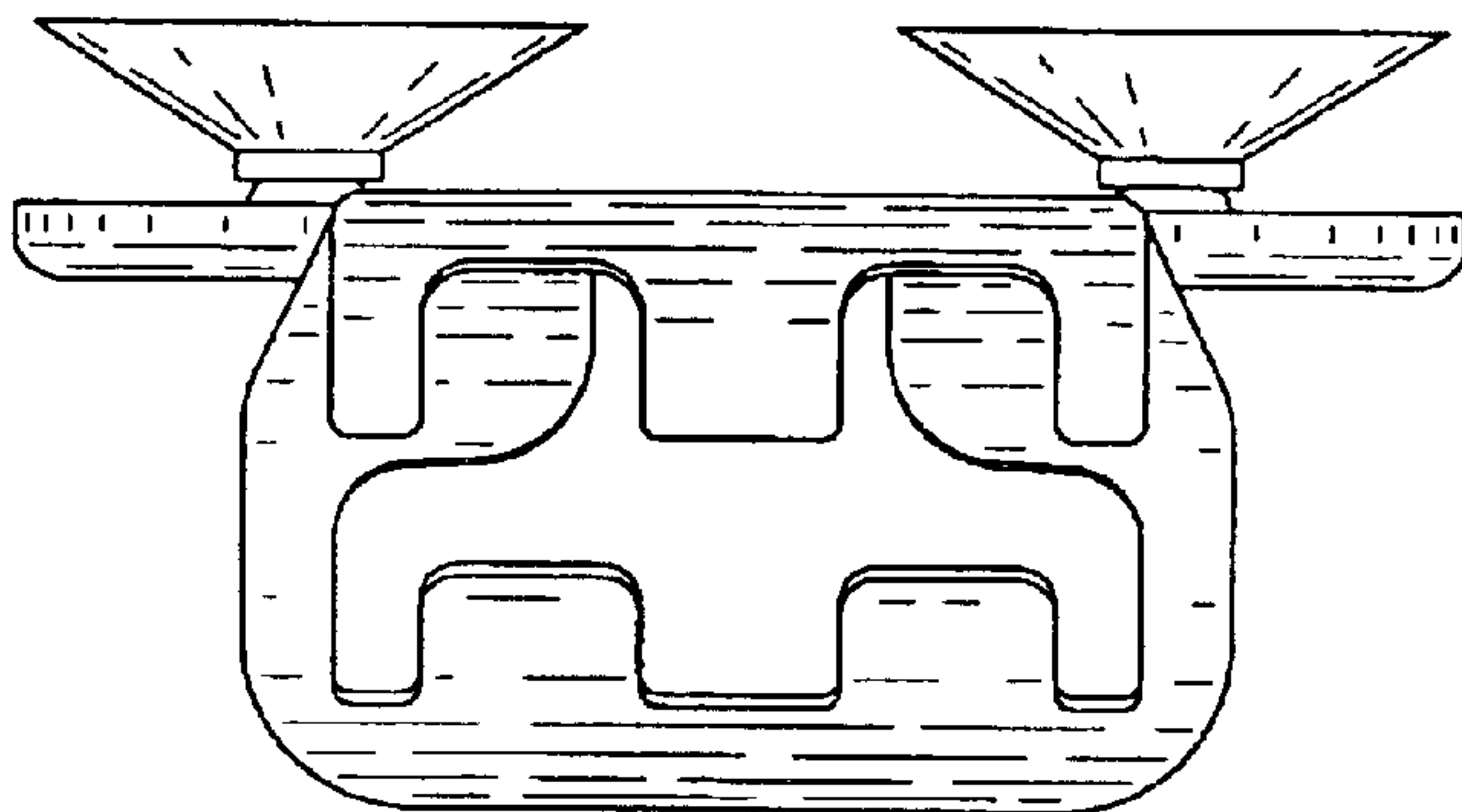


FIG-7