

US00D506870S

(12) **United States Design Patent** (10) **Patent No.:** **US D506,870 S**  
**Uihlein et al.** (45) **Date of Patent:** **\*\* Jul. 5, 2005**

(54) **BOTTLE BIN**

(75) Inventors: **Philip J. Uihlein**, Mequon, WI (US);  
**Jennifer U. Strazewski**, Mequon, WI  
(US); **William A. Reed**, Cedarburg, WI  
(US); **Thomas W. Rand**, Cedarburg,  
WI (US); **Joseph E. Braun**, Brown  
Deer, WI (US); **Ami M. Verhalen**, Sun  
Prairie, WI (US); **Richard A.  
Nelipovich**, Madison, WI (US)

(73) Assignee: **U-Line Corporation**, Milwaukee, WI  
(US)

(\*\*) Term: **14 Years**

(21) Appl. No.: **29/190,224**

(22) Filed: **Sep. 19, 2003**

(51) **LOC (8) Cl.** ..... **03-01**  
(52) **U.S. Cl.** ..... **D3/307**  
(58) **Field of Search** ..... D3/304-315, 318,  
D3/201; 206/203, 540, 557, 822; 220/639-641,  
655-659, 675, 94, 752, 756, DIG. 12, DIG. 13,  
DIG. 14, DIG. 15; D9/434; D34/1, 27;  
D8/313; D15/79, 85, 89; D6/510; 312/330.1,  
348.6

(56) **References Cited**

**U.S. PATENT DOCUMENTS**

D272,288 S \* 1/1984 Pfaff ..... D3/304  
D290,779 S \* 7/1987 Kreeger ..... D9/434  
5,323,917 A 6/1994 Johnson et al.

D364,272 S \* 11/1995 Brightbill ..... D3/312  
5,626,407 A 5/1997 Westcott  
5,848,534 A 12/1998 Stauffer  
D436,728 S \* 1/2001 Harding ..... D3/201  
D438,010 S \* 2/2001 Drury et al. .... D3/307  
6,298,989 B1 \* 10/2001 Chu ..... 206/320  
6,457,599 B1 \* 10/2002 Apps et al. .... 220/DIG. 15  
D467,052 S \* 12/2002 Van Landingham, Jr. .... D34/27  
D479,723 S \* 9/2003 Braun et al. .... D15/89  
D485,070 S \* 1/2004 Jessen et al. .... D3/318

\* cited by examiner

*Primary Examiner*—Louis S. Zarfaz

*Assistant Examiner*—Sally Shih

(74) *Attorney, Agent, or Firm*—Quarles & Brady LLP

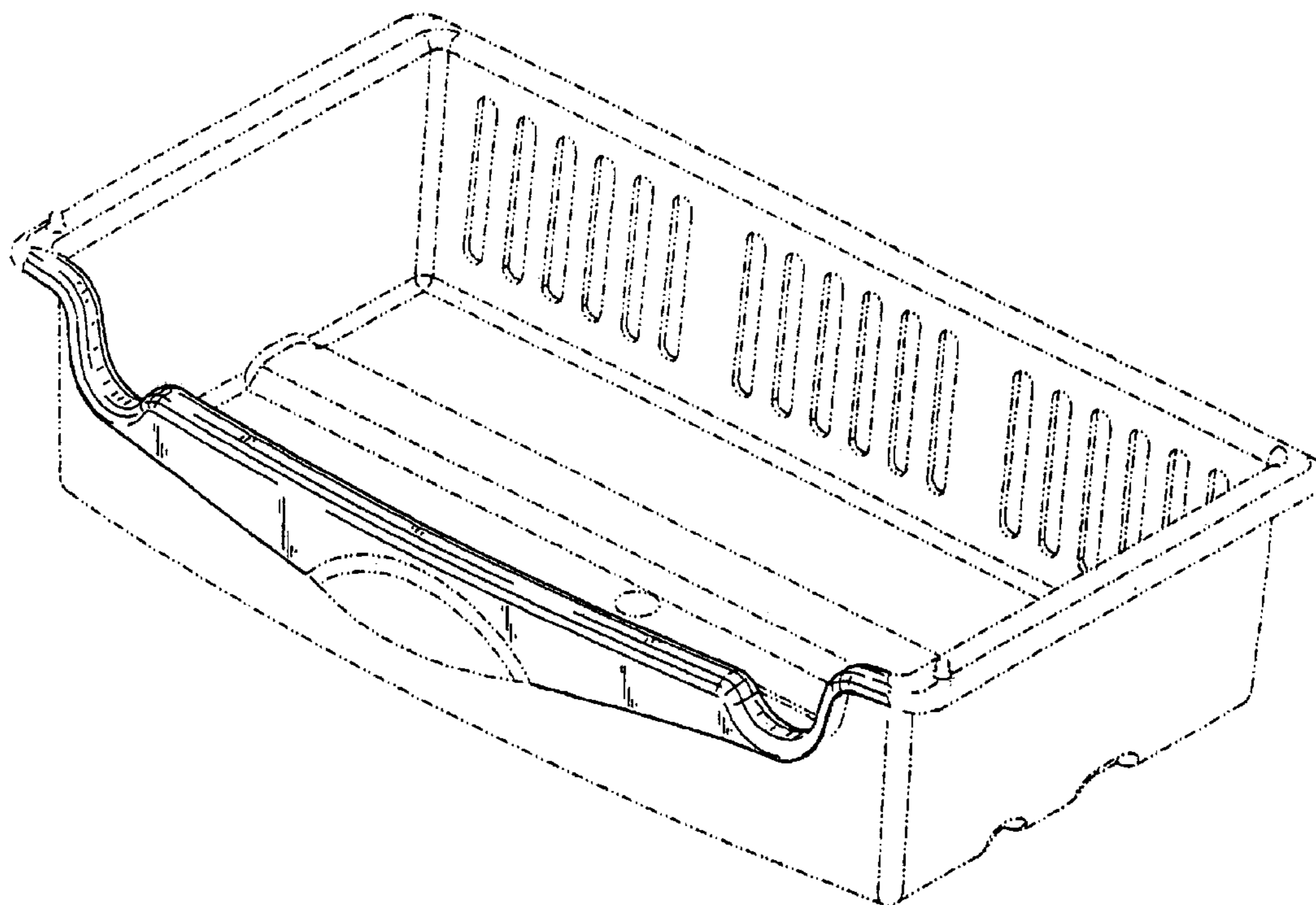
(57) **CLAIM**

The ornamental design for a bottle bin, as shown and described.

**DESCRIPTION**

FIG. 1 is a front perspective view of a bottle bin according to a first embodiment of our new design;  
FIG. 2 is a rear perspective view thereof;  
FIG. 3 is a front elevational view thereof;  
FIG. 4 is a right side elevational view thereof, the left side elevational view being a mirror image thereof;  
FIG. 5 is a top plan view thereof;  
FIG. 6 is bottom plan view thereof; and,  
FIG. 7 is a back elevational view thereof.  
The broken lines are for illustrative purposes only and form no part of the claimed design.

**1 Claim, 5 Drawing Sheets**



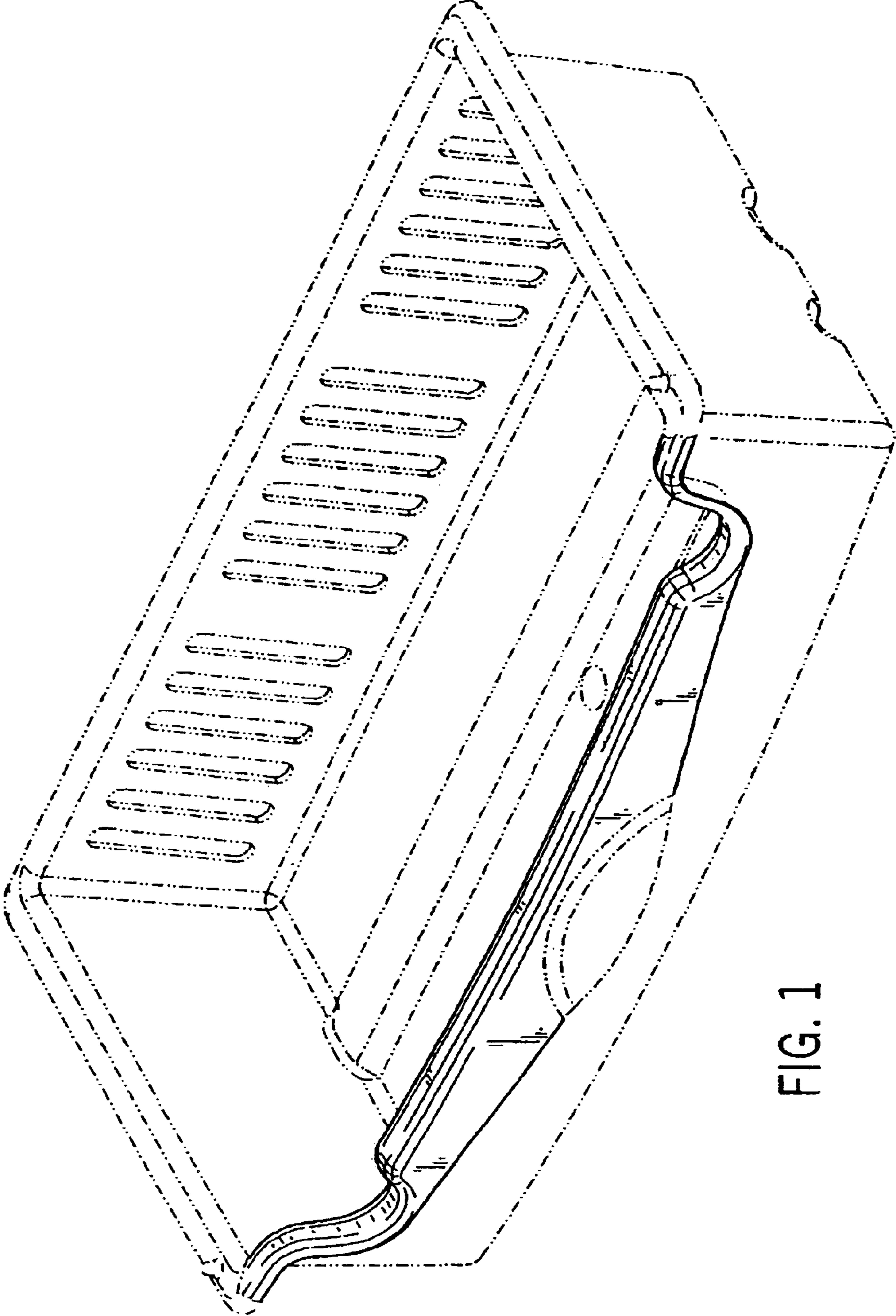
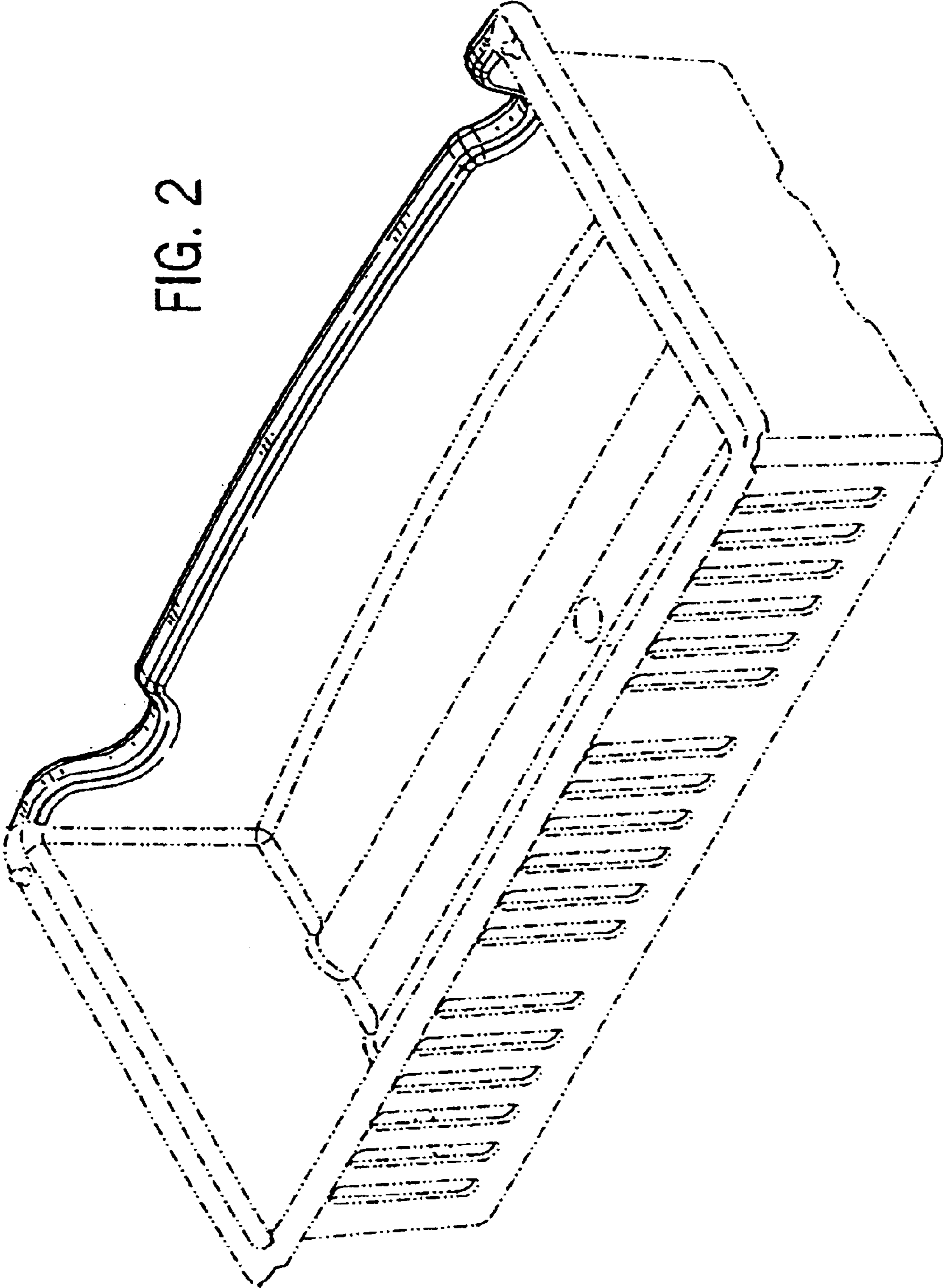


FIG. 1

FIG. 2



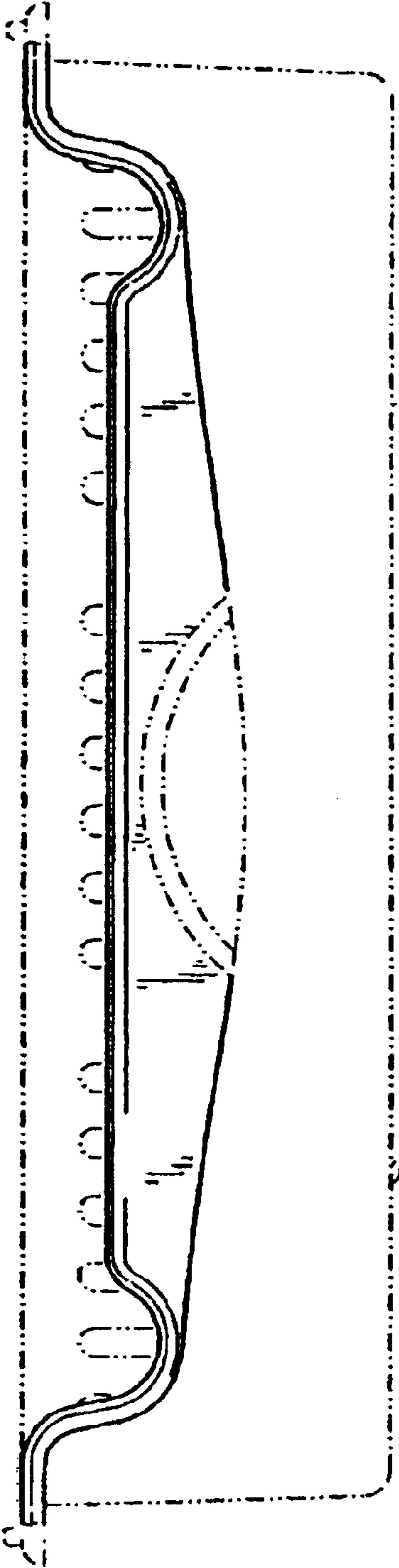


FIG. 3

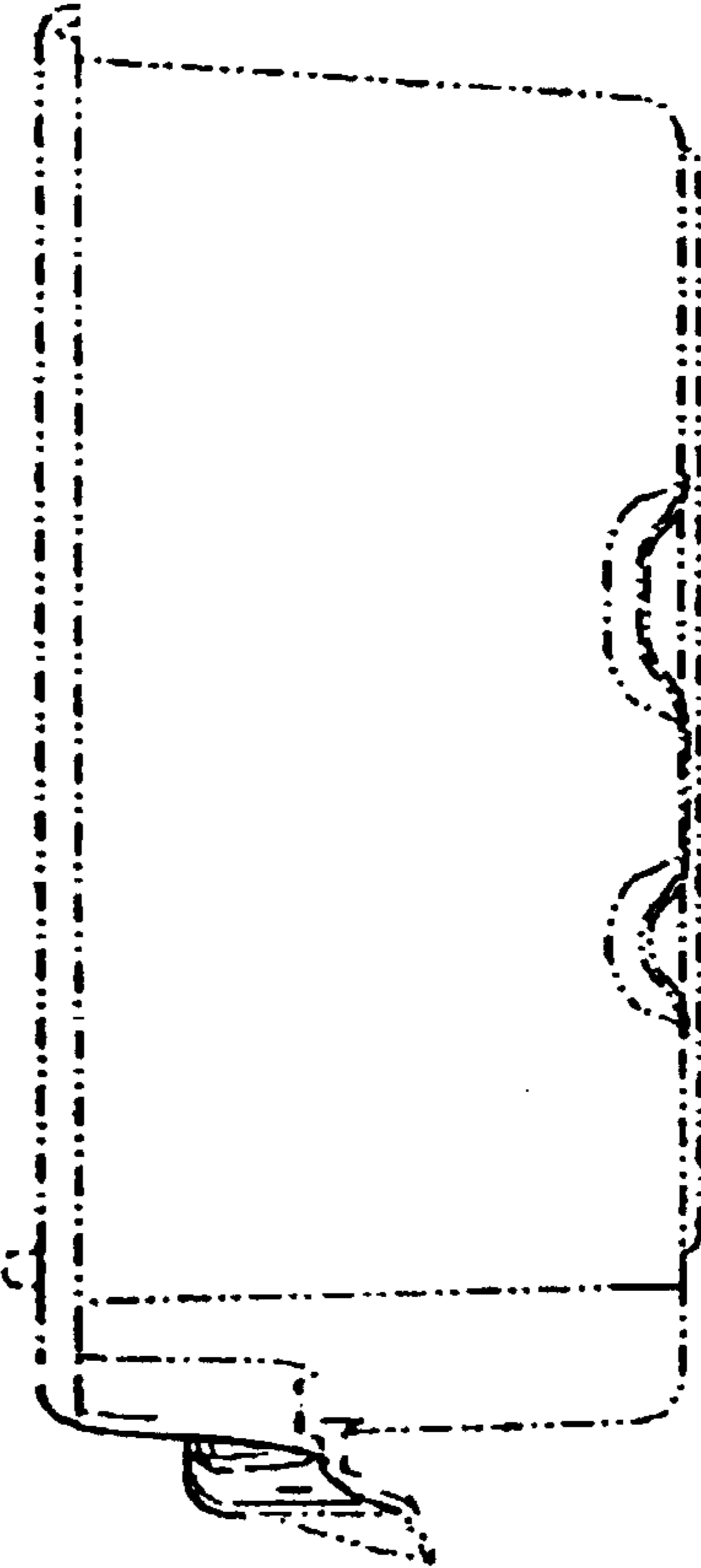


FIG. 4



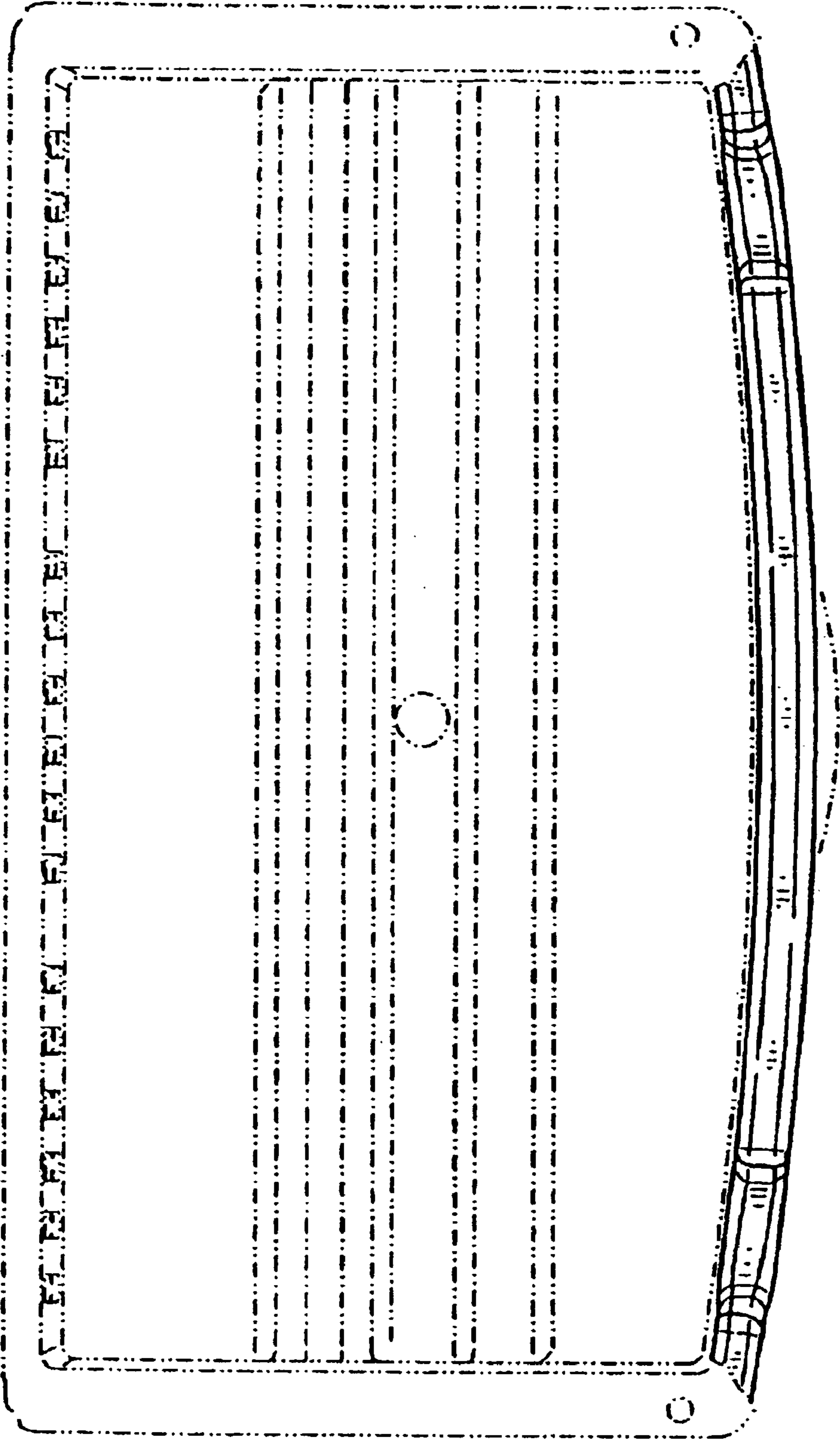


FIG. 5

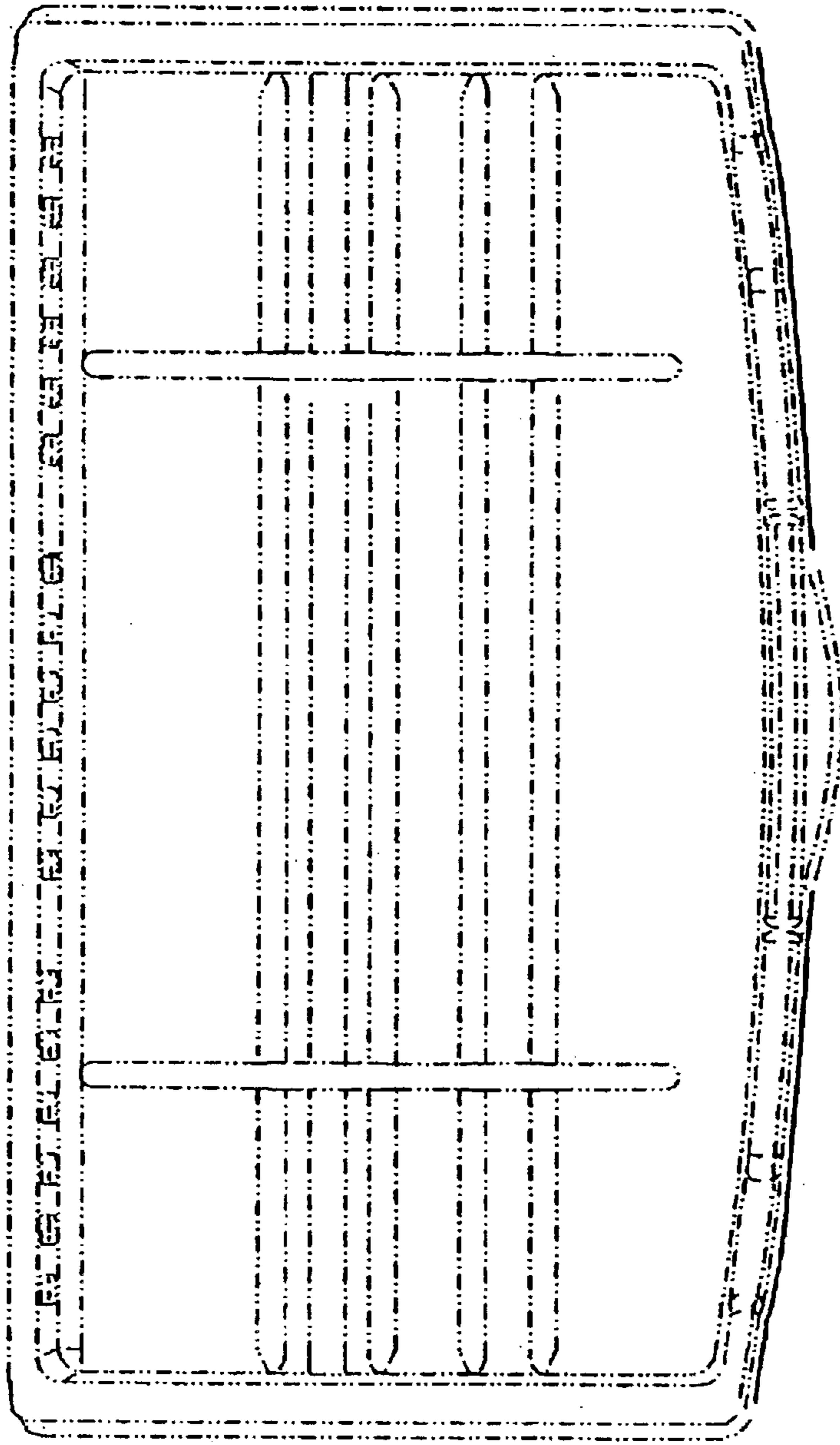


FIG. 6

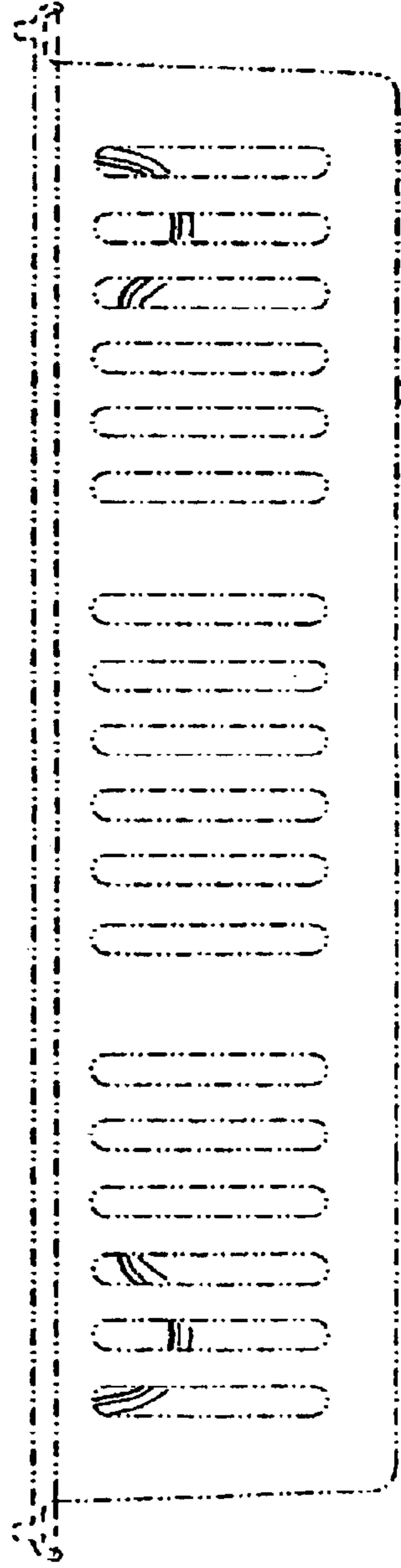


FIG. 7