

US00D506869S

(12) **United States Design Patent**
Davis

(10) **Patent No.:** **US D506,869 S**
(45) **Date of Patent:** **** Jul. 5, 2005**

(54) **JEWELRY CHEST**

(75) **Inventor:** **Joseph G. Davis**, Evington, VA (US)

(73) **Assignee:** **L. Powell Company**, Culver City, CA (US)

(**) **Term:** **14 Years**

(21) **Appl. No.:** **29/195,057**

(22) **Filed:** **Dec. 5, 2003**

(51) **LOC (8) Cl.** **03-01**

(52) **U.S. Cl.** **D3/297; D3/903; D6/440**

(58) **Field of Search** **D3/294, 295, 296, D3/297, 903; D6/445, 440, 446, 448; 312/204, 227, 257, 293, 325**

(56) **References Cited**

U.S. PATENT DOCUMENTS

D314,291 S	*	2/1991	Powell	D6/440
D319,153 S		8/1991	Powell	D6/440
D319,155 S		8/1991	Powell	D6/448
D361,430 S	*	8/1995	Mohundro	D3/297
D363,177 S	*	10/1995	Mohundro	D6/440
D363,394 S	*	10/1995	Mohundro	D6/440
D363,395 S	*	10/1995	Mohundro	D6/440
D375,213 S	*	11/1996	Yeh	D6/440
D381,531 S	*	7/1997	Mohundro	D6/445
D381,532 S	*	7/1997	Mohundro	D6/445

D418,298 S	*	1/2000	Wolf	D3/297
D449,465 S	*	10/2001	Tabbia	D6/446
D485,682 S	*	1/2004	Wolf	D3/295

* cited by examiner

Primary Examiner—Philip S. Hyder

(74) *Attorney, Agent, or Firm*—Sheppard, Mullin, Richter & Hampton LLP

(57) **CLAIM**

I claim the ornamental design for a jewelry chest, as shown and described.

DESCRIPTION

FIG. 1 is a perspective view of the jewelry chest showing the new design;

FIG. 2 is a top, front and left side perspective view thereof, wherein the compartments are shown in the open position; FIG. 3 is a top, front and right side perspective view thereof, wherein the compartments are shown in the open position; FIG. 4 is a front elevational view thereof;

FIG. 5 is a top plan view thereof,

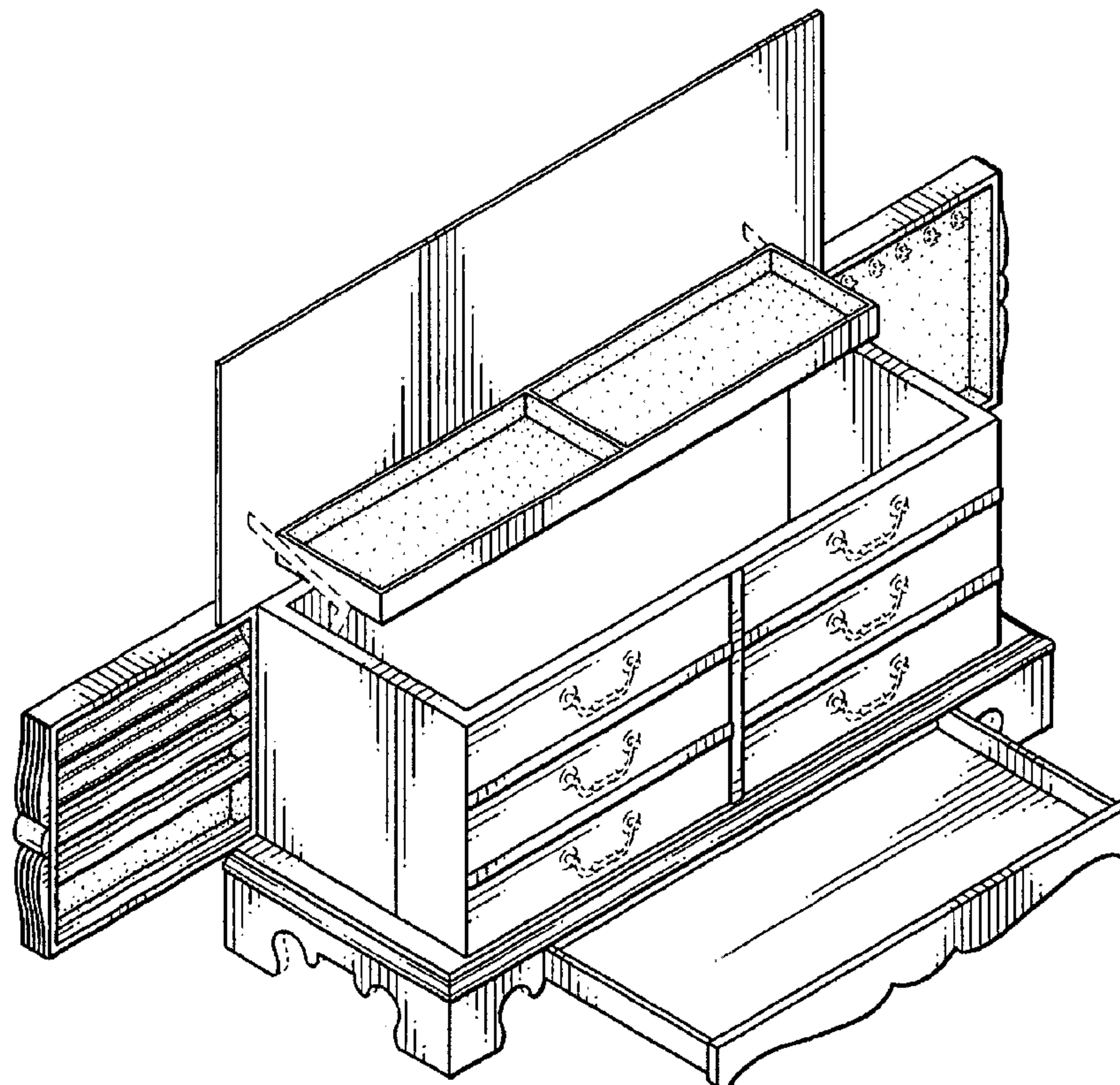
FIG. 6 is a rear elevational view thereof;

FIG. 7 is a bottom plan view thereof; and,

FIG. 8 is a right side elevational view thereof, the left side elevational view being a mirror image thereof.

The dotted lines are for illustrative purposes only and form no part of the claimed design.

1 Claim, 8 Drawing Sheets



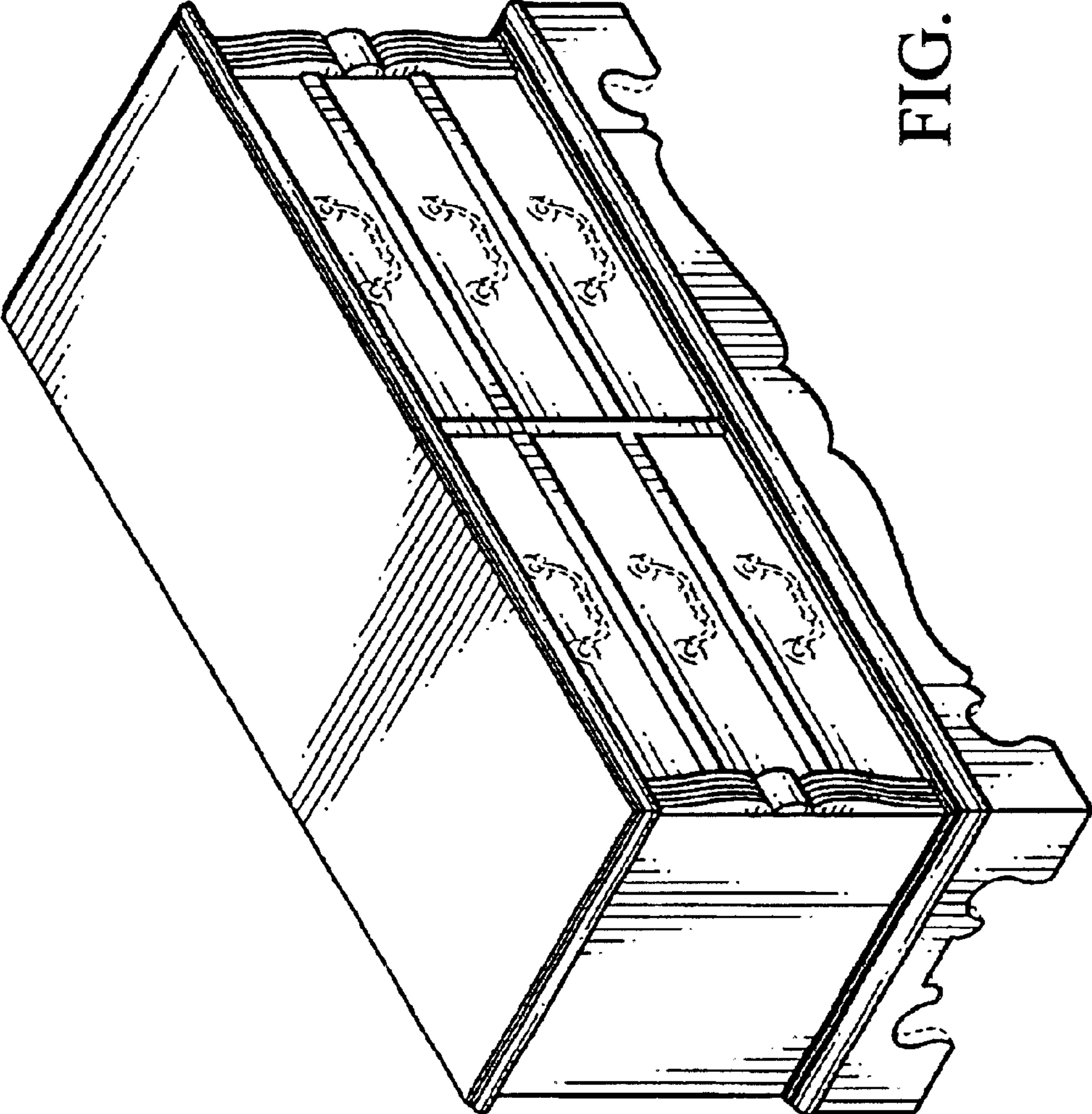
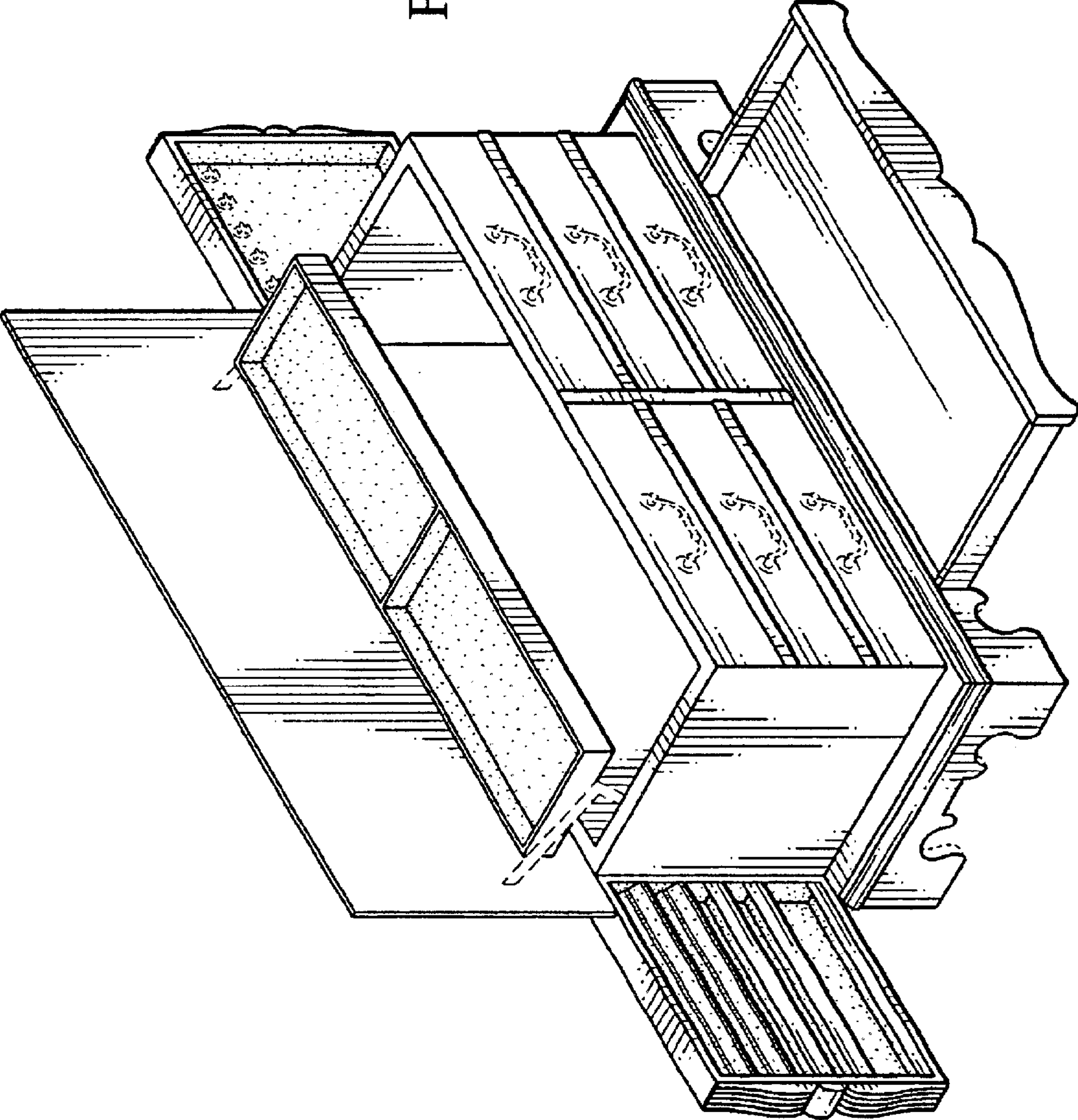


FIG. 1

FIG. 2



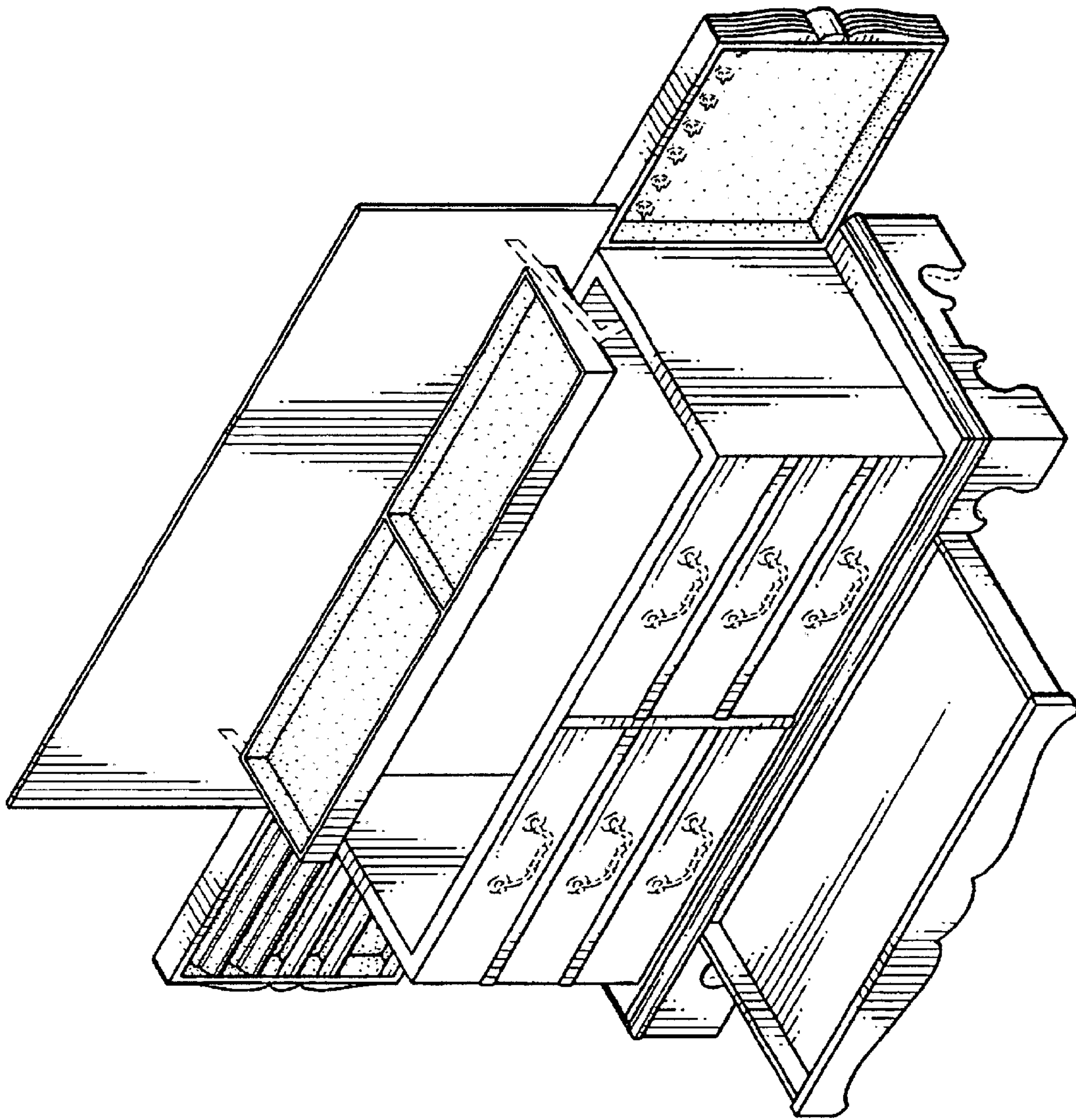


FIG. 3

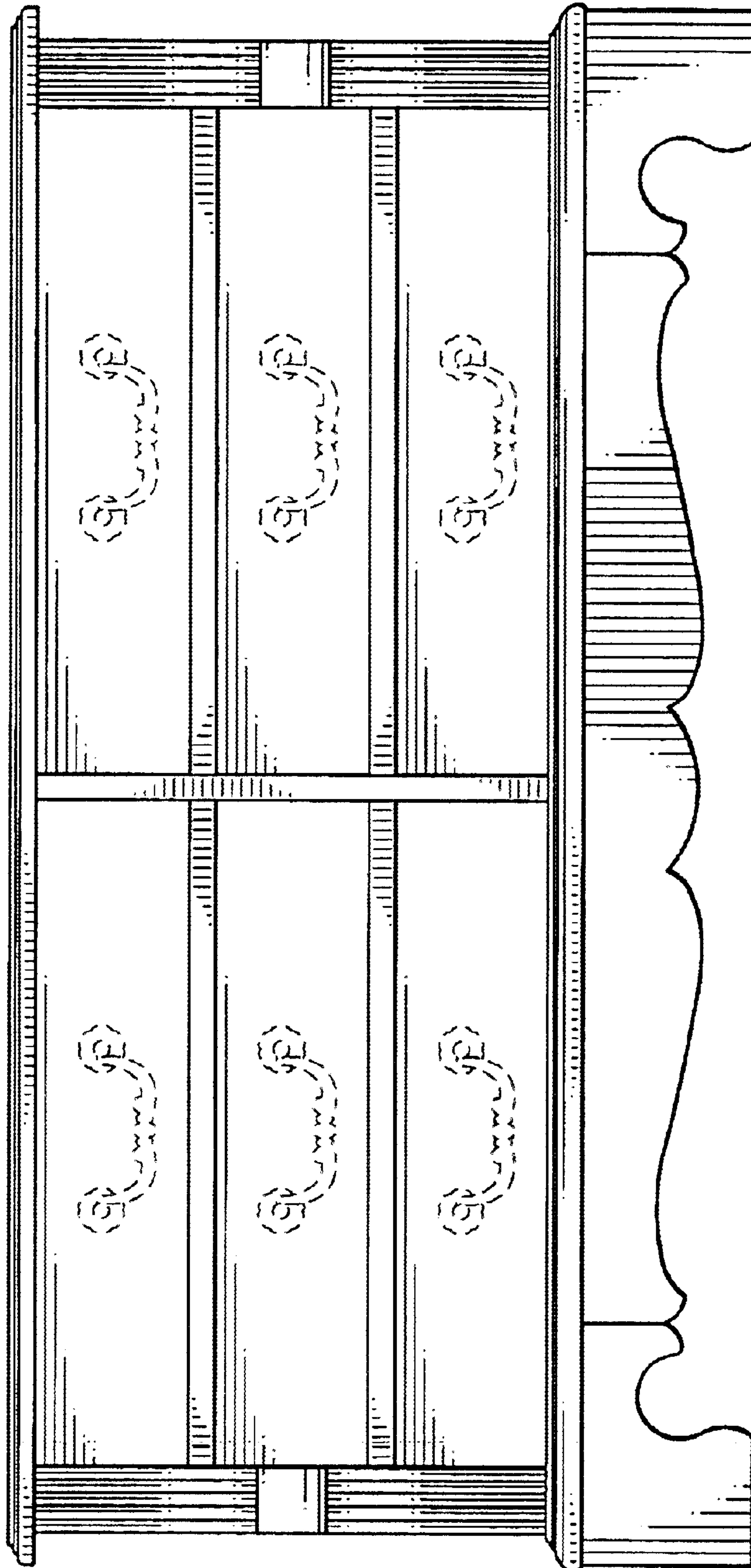


FIG. 4

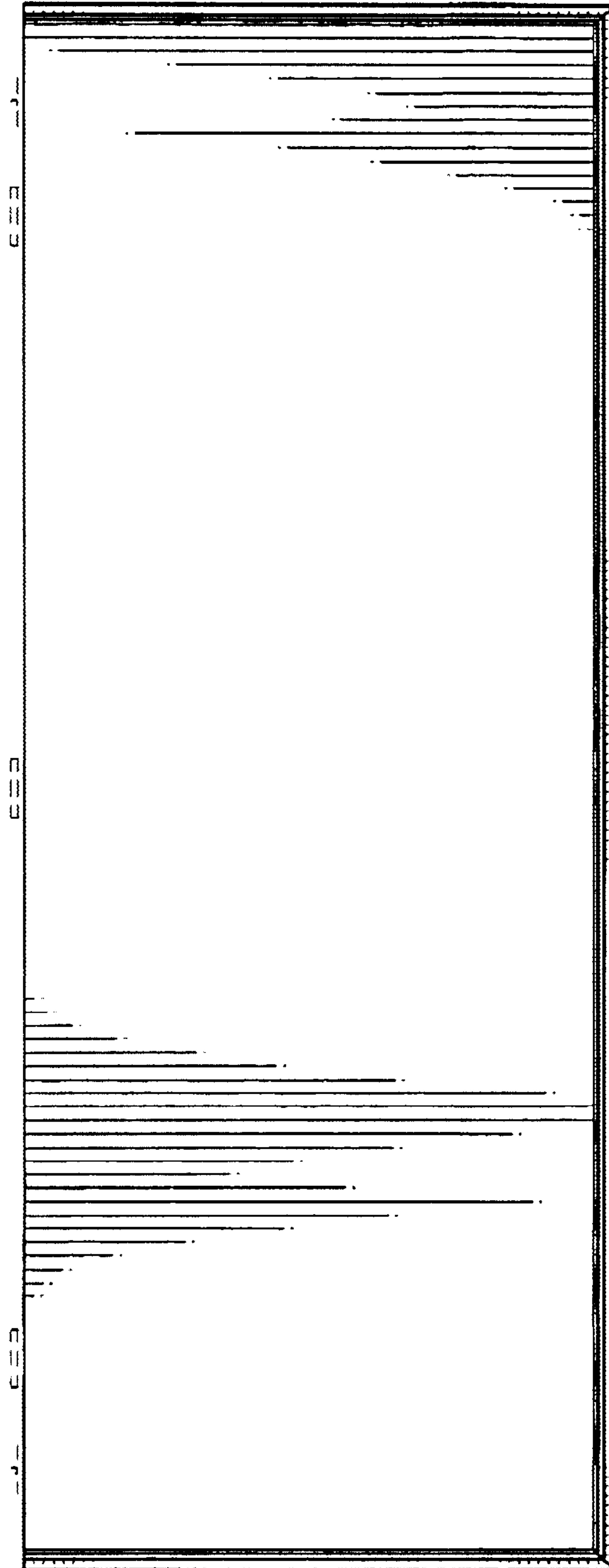


FIG. 5

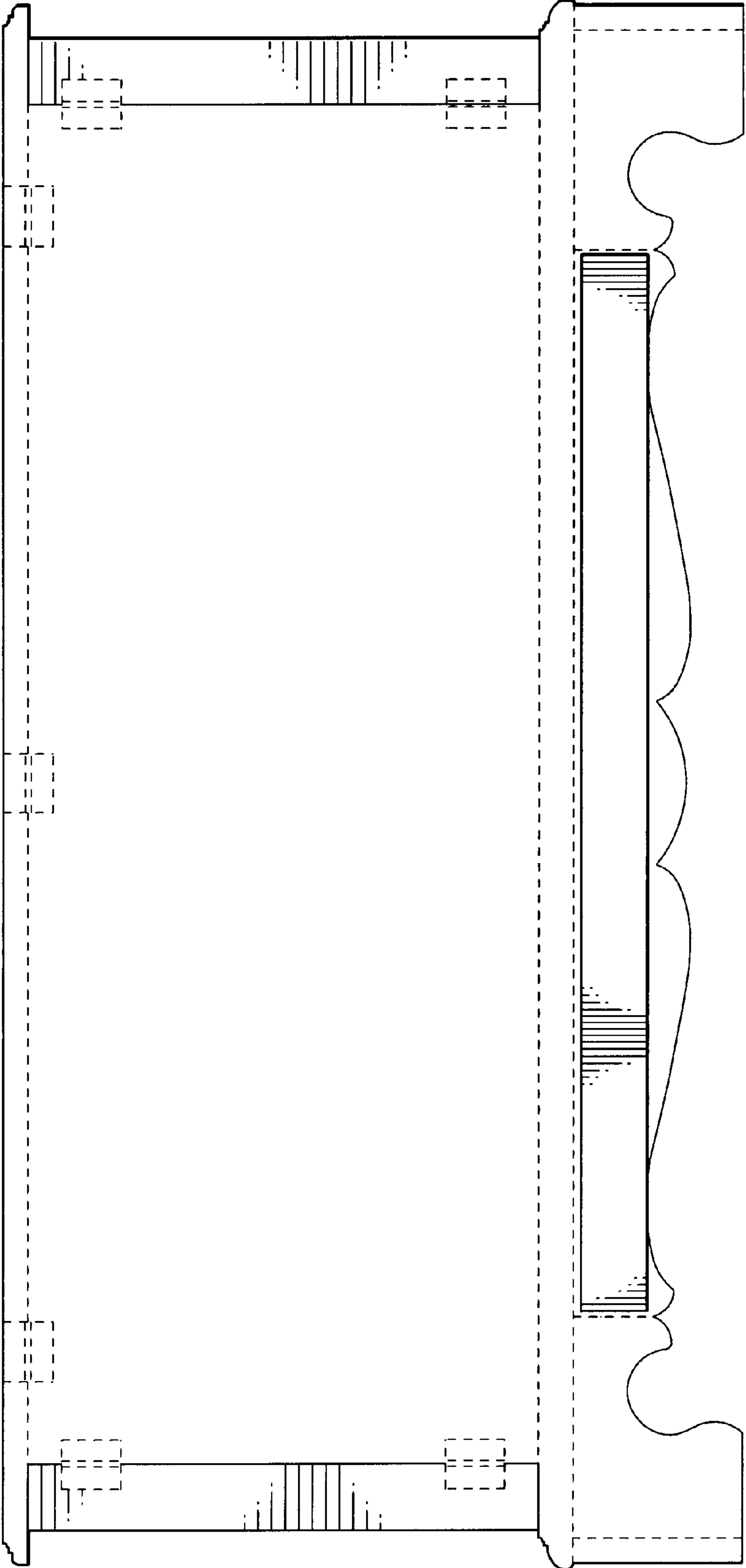


FIG. 6

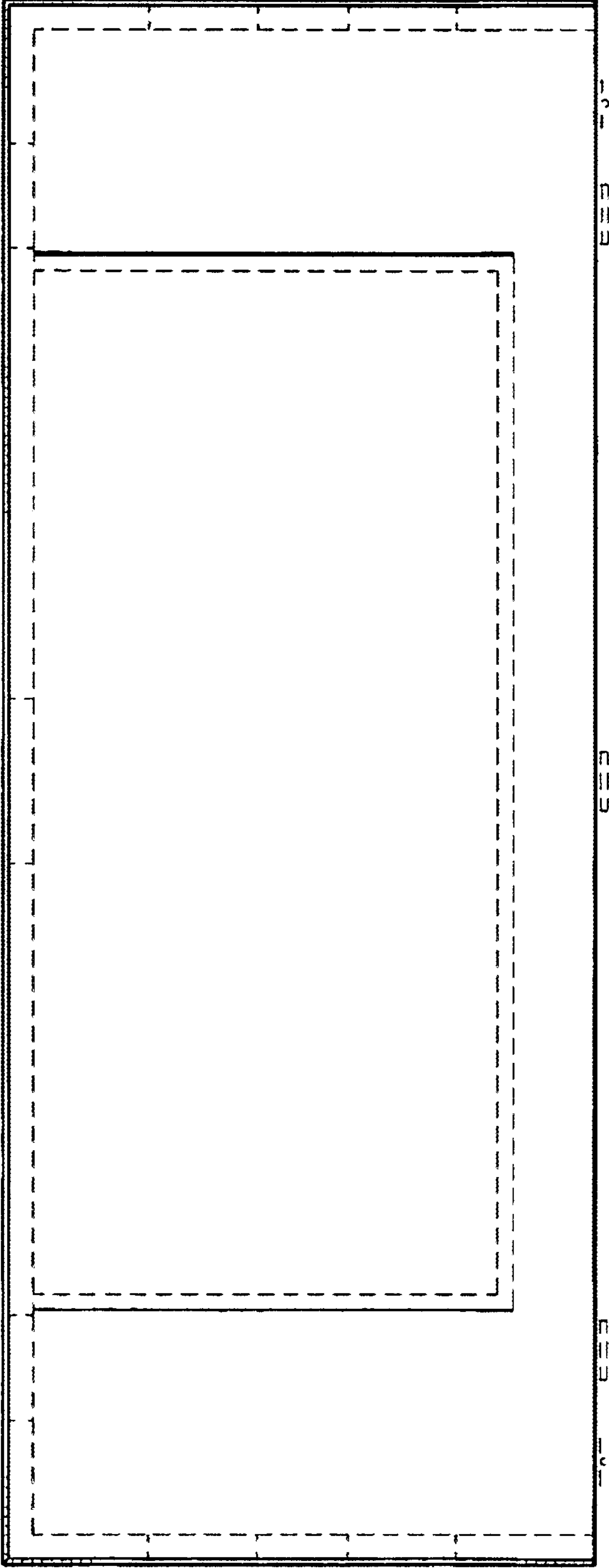


FIG. 7

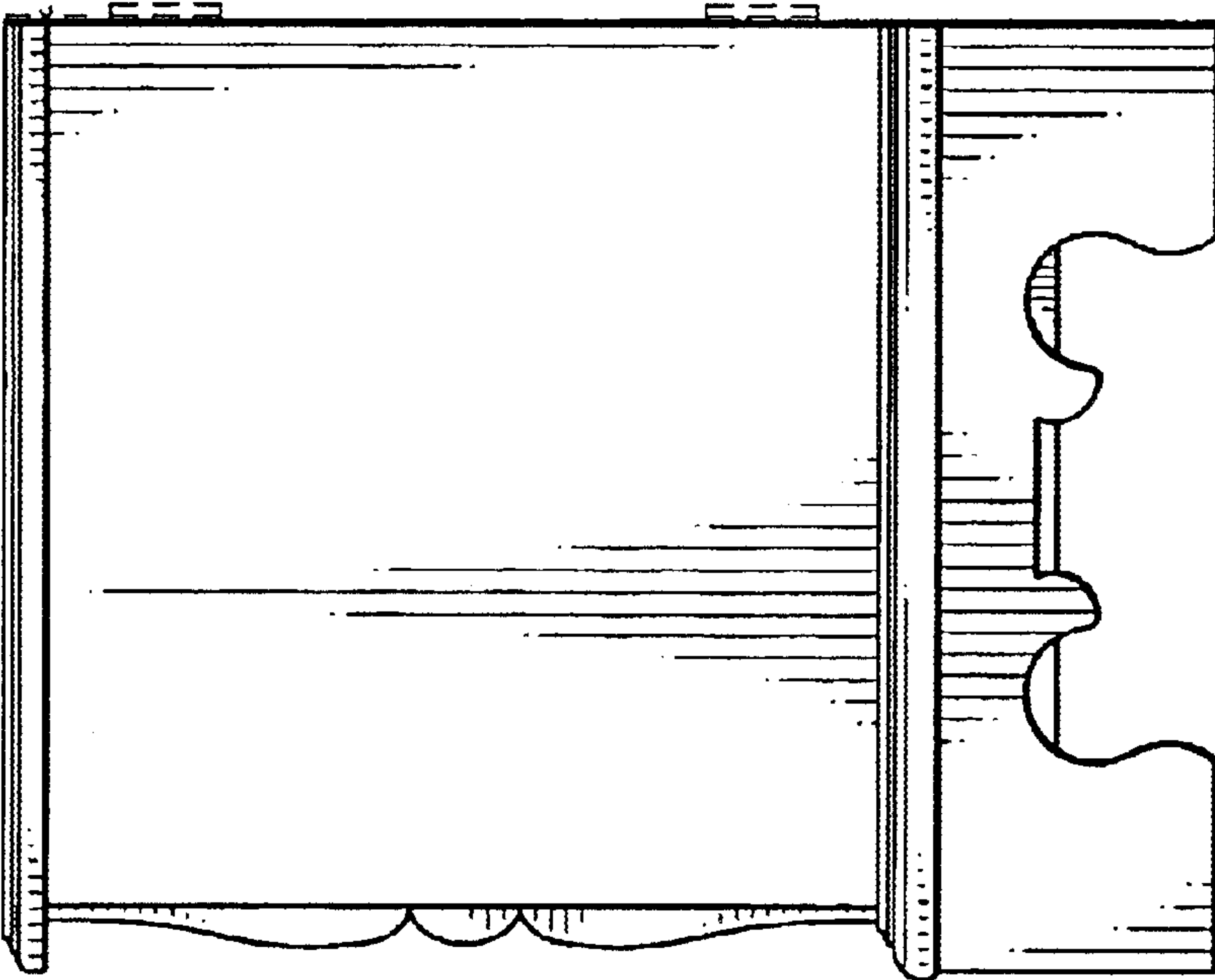


FIG. 8