

US00D506865S

(12) **United States Design Patent**  
**Homsher et al.**

(10) **Patent No.:** **US D506,865 S**  
(45) **Date of Patent:** **\*\* Jul. 5, 2005**

(54) **SADDLE AND TACK BAG**

D425,761 S \* 5/2000 Philipson et al. .... D7/607  
D429,448 S \* 8/2000 Nottingham et al. .... D7/607

(76) Inventors: **Sean A. Homsher**, c/o E-Zee Show,  
LLC 1014 Strafford Ave., Elkins Park,  
PA (US) 19027; **George A. Orlowitz**,  
c/o E-Zee Show, LLC 1014 Stratford  
Ave., Elkins Park, PA (US) 19027

\* cited by examiner

*Primary Examiner*—Philip S. Hyder  
(74) *Attorney, Agent, or Firm*—Paul & Paul

(\*\*) **Term:** **14 Years**

(57) **CLAIM**

The ornamental design for a saddle and tack bag, as shown  
and described.

(21) **Appl. No.:** **29/200,783**

(22) **Filed:** **Mar. 4, 2004**

**DESCRIPTION**

(51) **LOC (8) Cl.** ..... **03-01**

(52) **U.S. Cl.** ..... **D3/254; D3/301; D30/143**

(58) **Field of Search** ..... D3/254, 273, 276,  
D3/283, 284, 285, 301, 905; D30/143;  
D7/607, 608; 206/315.1, 349, 373, 374;  
190/100, 109, 112; 150/154

FIG. 1 is a perspective view of a saddle and tack bag of the  
present invention, a wheeled carrier for receiving the saddle  
and tack bag of the present invention being shown in  
phantom for illustrative purposes only and therefore forming  
no part of my claimed design.

(56) **References Cited**

**U.S. PATENT DOCUMENTS**

4,432,459	A	*	2/1984	Coldren	.....	211/85.11
D273,833	S	*	5/1984	Taylor et al.	.....	D7/607
4,468,933	A	*	9/1984	Christopher	.....	62/457.1
D302,636	S	*	8/1989	Singer	.....	D7/607
D343,031	S	*	1/1994	McElhaney	.....	D30/143
5,338,049	A	*	8/1994	Goring	.....	280/47.19
D357,351	S	*	4/1995	Kelsall	.....	D3/261
D377,548	S	*	1/1997	O'Shea	.....	D3/143
D423,779	S	*	5/2000	Goatcher	.....	D3/283

FIG. 2 is a front elevational view of the saddle and tack bag  
of FIG. 1.

FIG. 3 is a left side elevational view of the saddle and tack  
bag of FIG. 1.

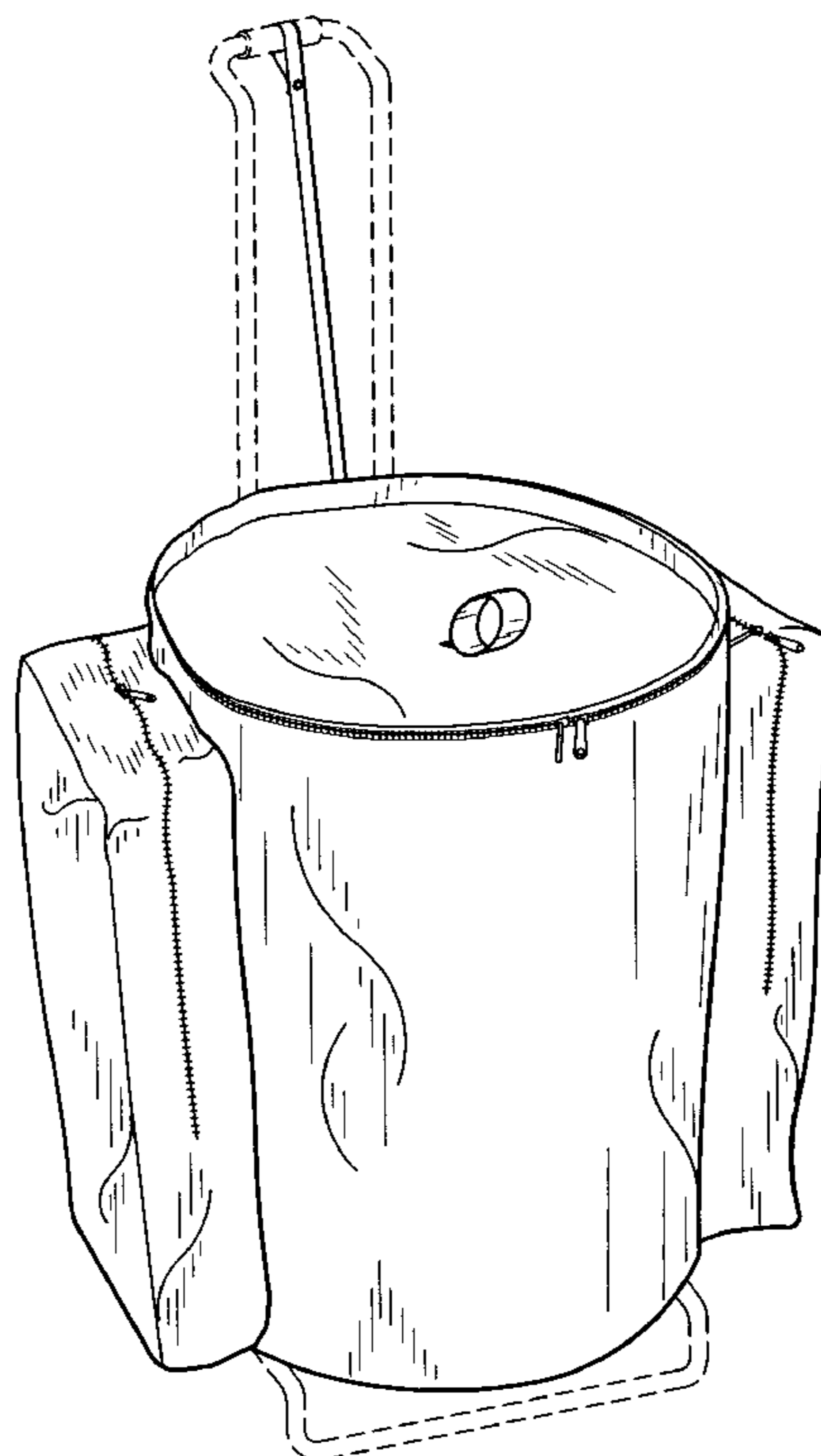
FIG. 4 is a right side elevational view of the saddle and tack  
bag of FIG. 1.

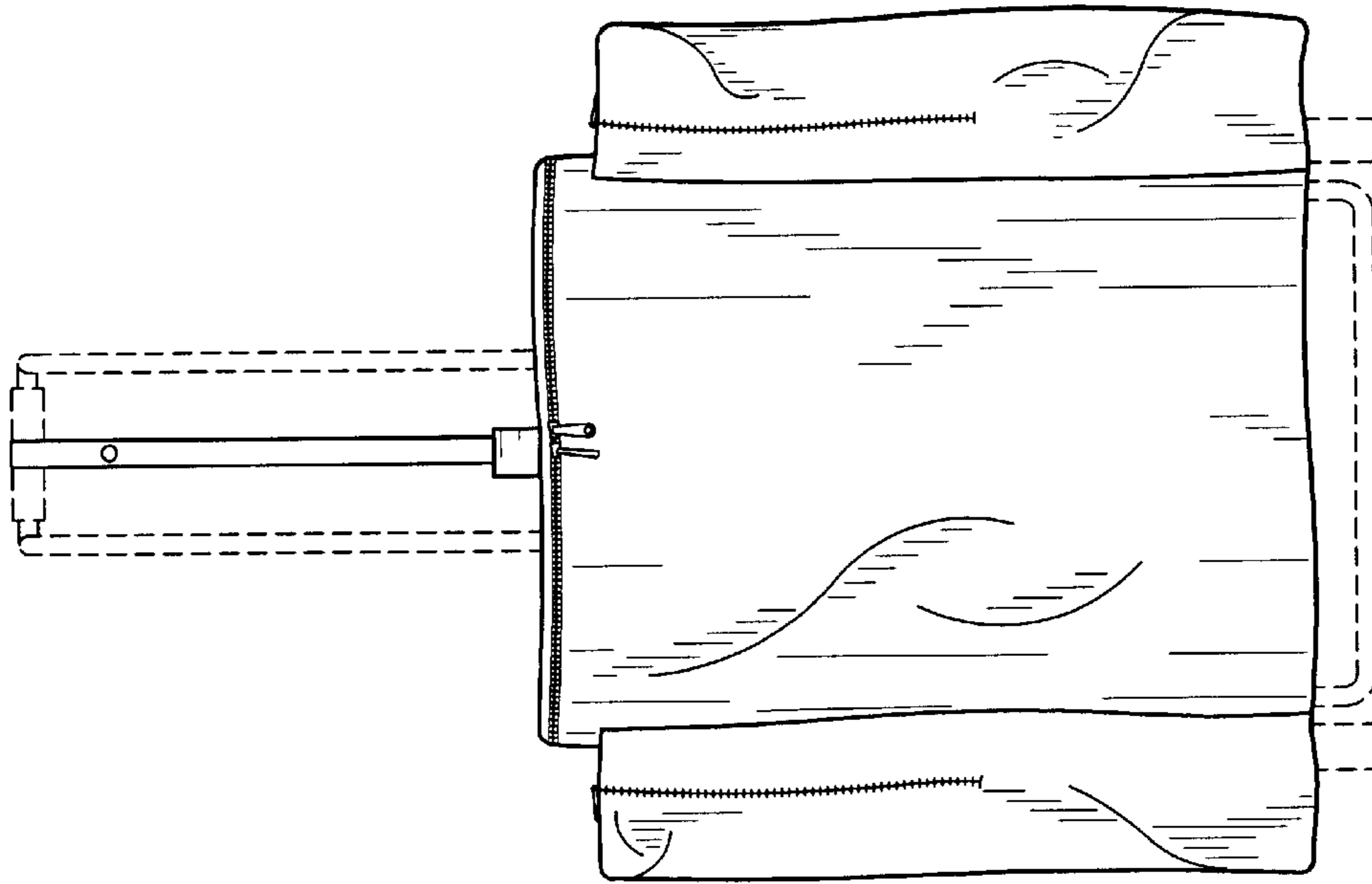
FIG. 5 is a rear elevational view of the saddle and tack bag  
of FIG. 1.

FIG. 6 is a top plan view of the saddle and tack bag of FIG.  
1; and,

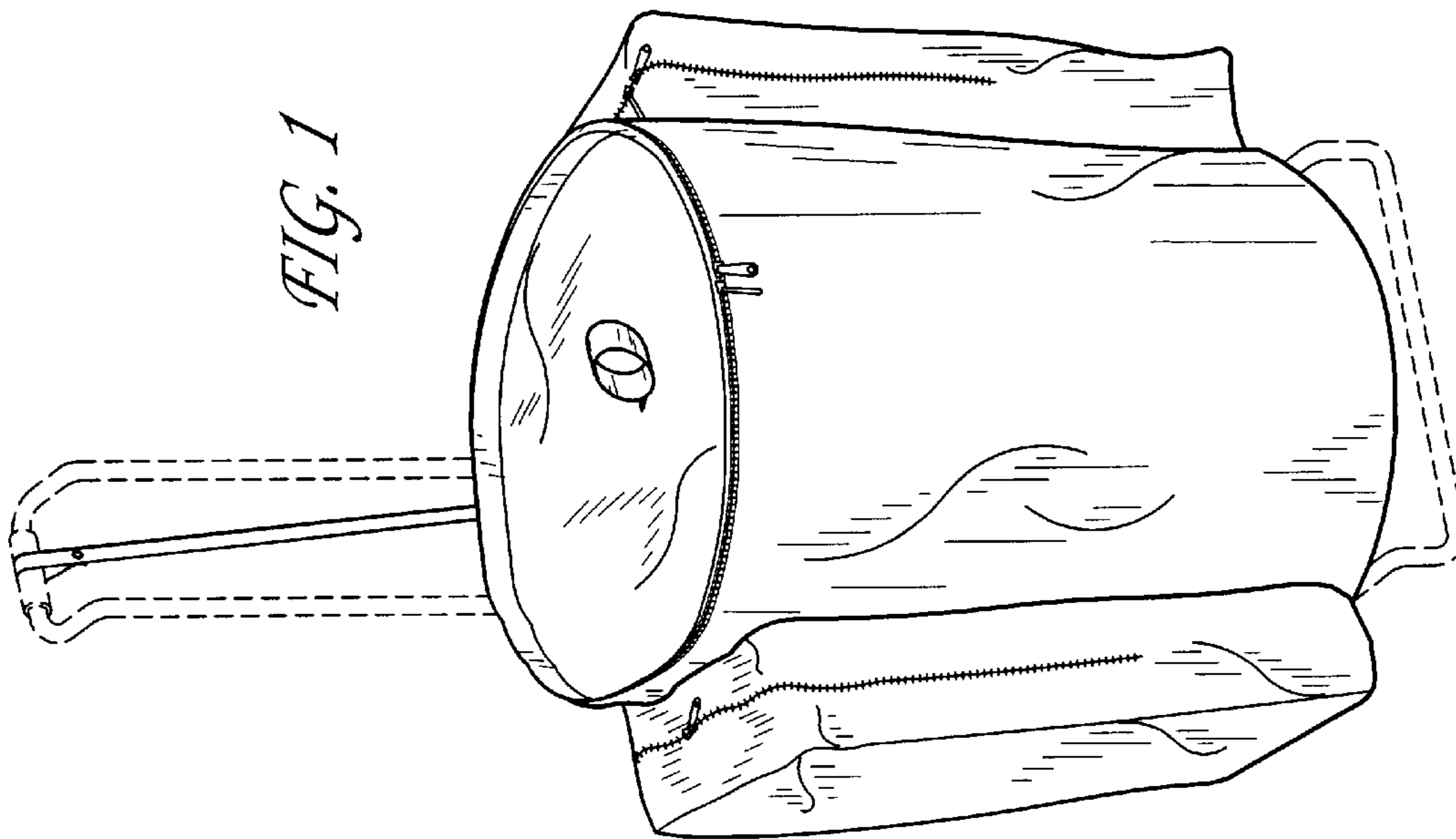
FIG. 7 is a bottom plan view of the saddle and tack bag of  
FIG. 1.

**1 Claim, 3 Drawing Sheets**





*FIG. 2*



*FIG. 1*

FIG. 4

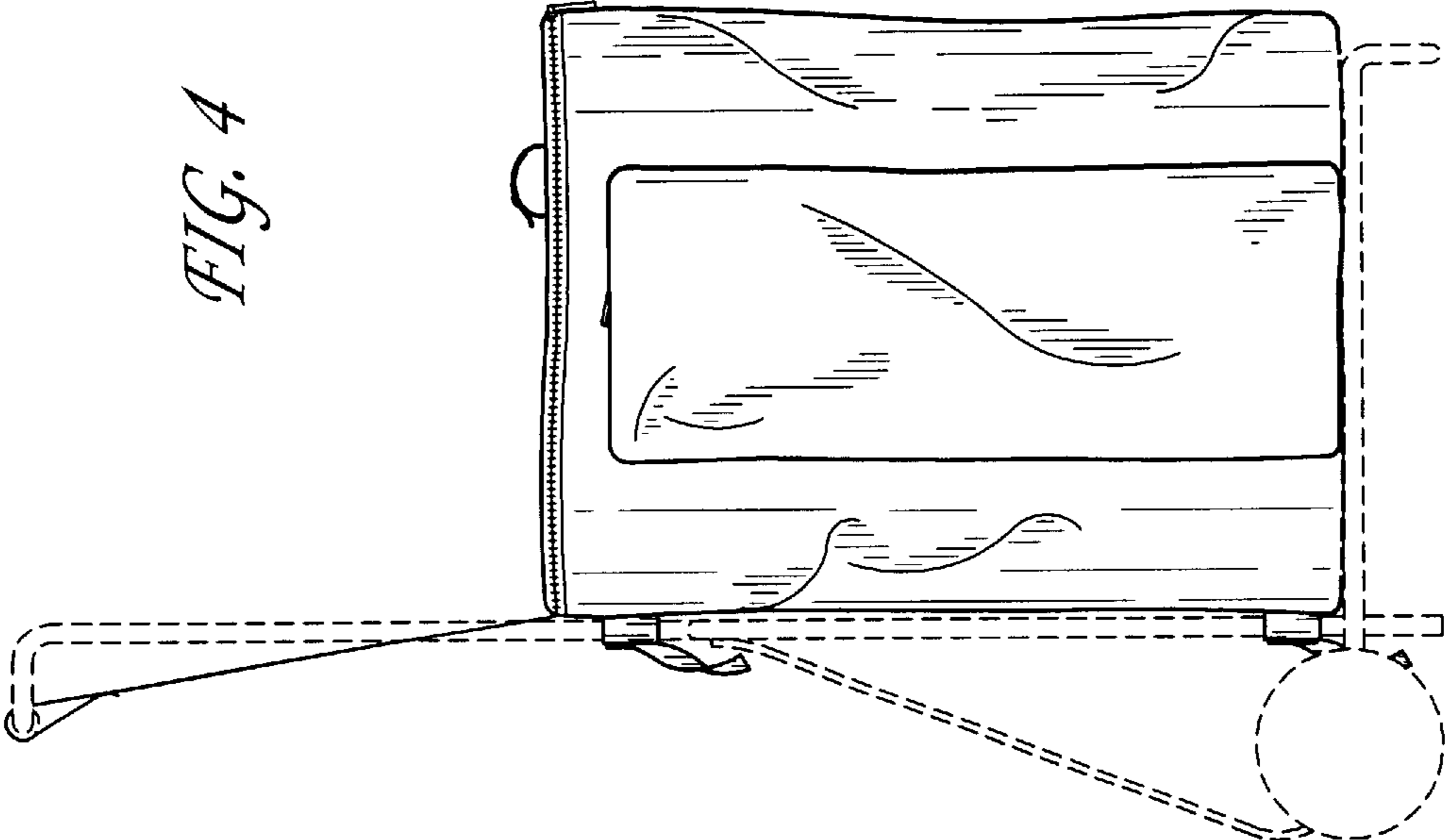
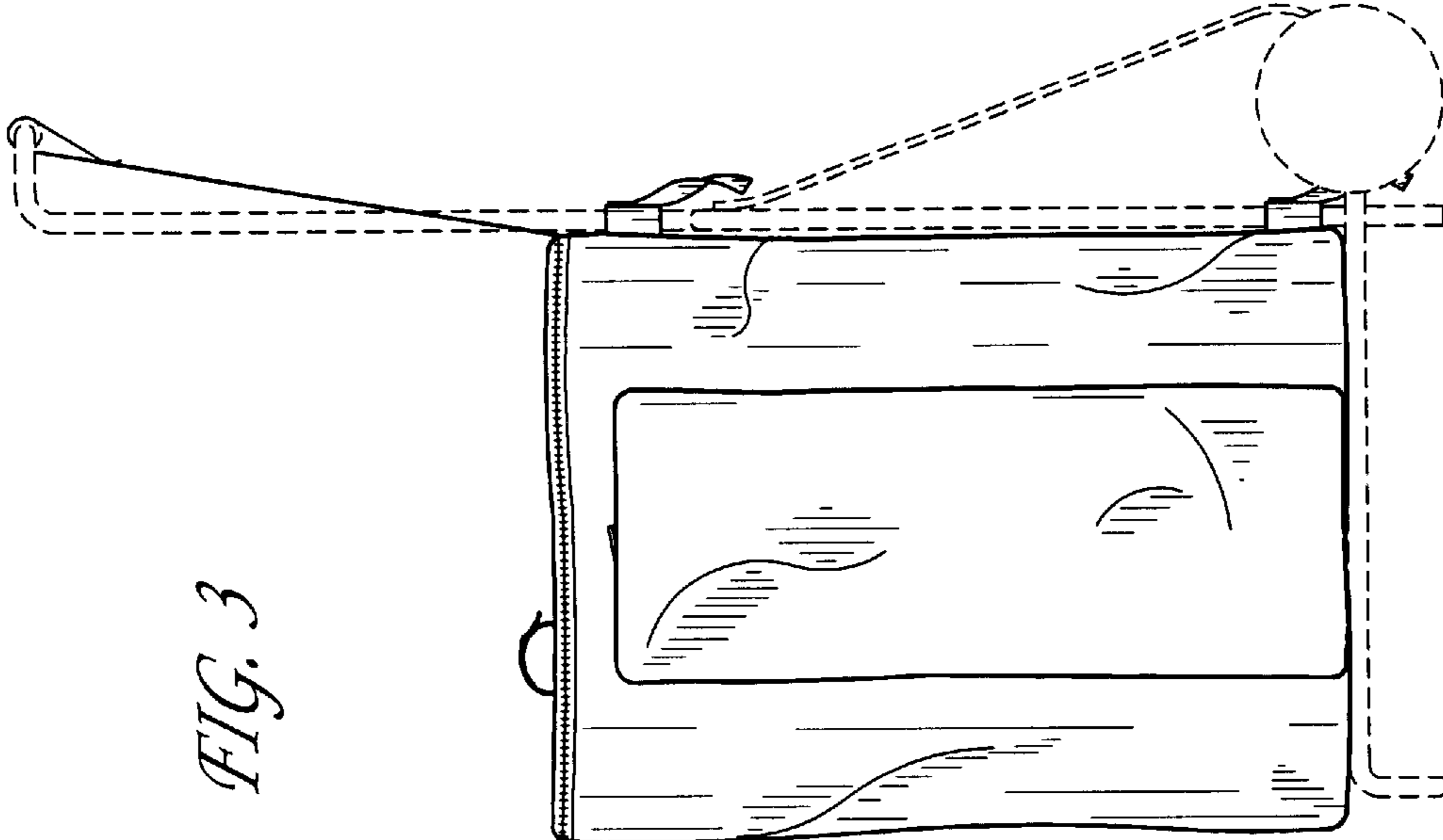


FIG. 3



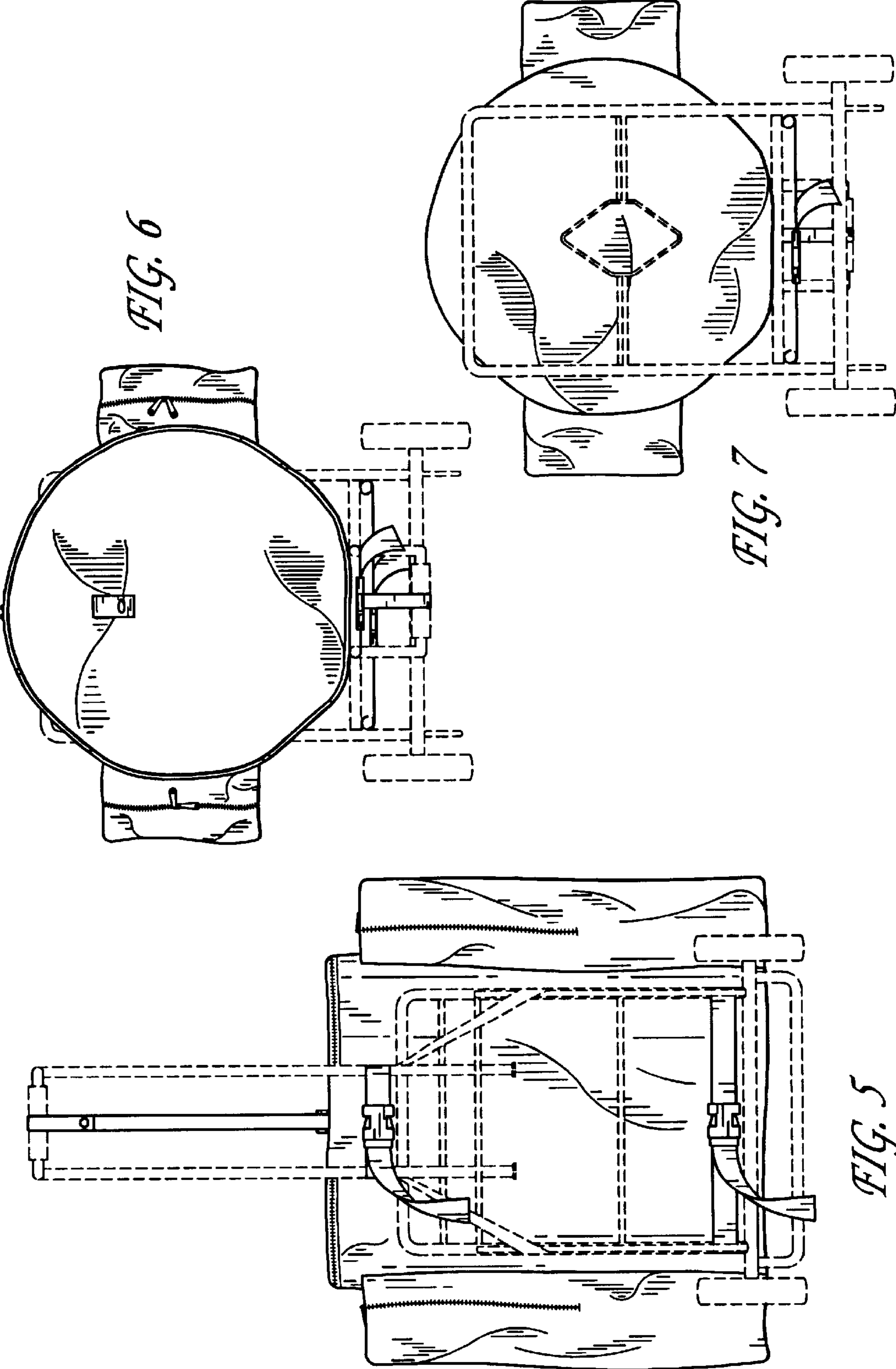


FIG. 6

FIG. 7

FIG. 5