

US00D506864S

(12) **United States Design Patent**
Fonfeder

(10) **Patent No.: US D506,864 S**
(45) **Date of Patent: ** Jul. 5, 2005**

- (54) **SCHOOL BAG**
- (75) Inventor: **Danny Fonfeder, Montreal (CA)**
- (73) Assignee: **Buffalo-Eastcantra, Inc., St. Laurent (CA)**
- (**) Term: **14 Years**
- (21) Appl. No.: **29/201,295**
- (22) Filed: **Mar. 12, 2004**
- (51) **LOC (8) Cl. 03-01**
- (52) **U.S. Cl. D3/217; D3/216**
- (58) **Field of Search D3/216, 217, 242;**
224/153, 155, 578, 582, 579, 627, 628,
636, 653

- D457,307 S * 5/2002 Pukall et al. D3/217
- 6,474,524 B1 * 11/2002 Ivarson et al. 224/653
- D471,353 S * 3/2003 Ho D3/217
- D484,686 S * 1/2004 Nordstrom et al. D3/217
- D485,678 S * 1/2004 Haro D3/217
- 6,712,249 B2 * 3/2004 Magnusson et al. 224/576

* cited by examiner

Primary Examiner—Celia A. Murphy

(74) *Attorney, Agent, or Firm*—Baker Botts LLP

(57) **CLAIM**

I claim the ornamental design for a school bag, as shown and described.

DESCRIPTION

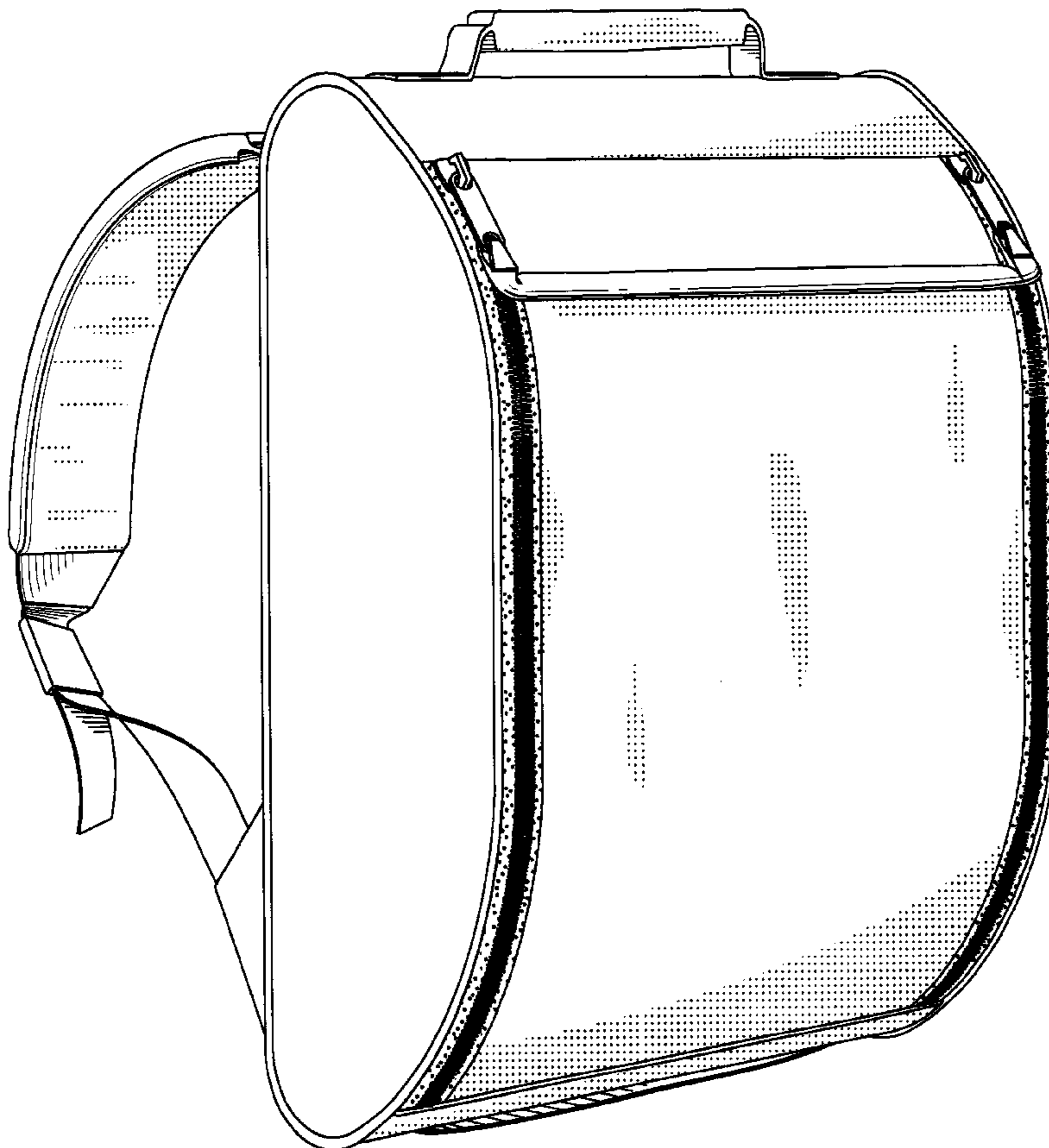
FIG. 1 is a perspective view of a school bag according to the present design;
 FIG. 2 is a front elevational view of the school bag of FIG. 1;
 FIG. 3 is a left elevational view of the school bag of FIG. 1;
 FIG. 4 is a rear elevational view of the school bag of FIG. 1;
 FIG. 5 a right elevational view of the school bag of FIG. 1;
 FIG. 6 is a top plan view of the school bag of FIG. 1; and,
 FIG. 7 is a bottom plan view of the school bag of FIG. 1.

1 Claim, 7 Drawing Sheets

(56) **References Cited**

U.S. PATENT DOCUMENTS

- D371,677 S * 7/1996 Cantwell et al. D3/217
- D375,622 S * 11/1996 Croft D3/217
- 5,632,429 A * 5/1997 Cantwell 224/630
- D392,094 S * 3/1998 Lane D3/217
- D437,110 S * 2/2001 Ivarson et al. D3/217
- D448,160 S * 9/2001 Sijmons et al. D3/216
- D451,274 S * 12/2001 Kegels D3/217



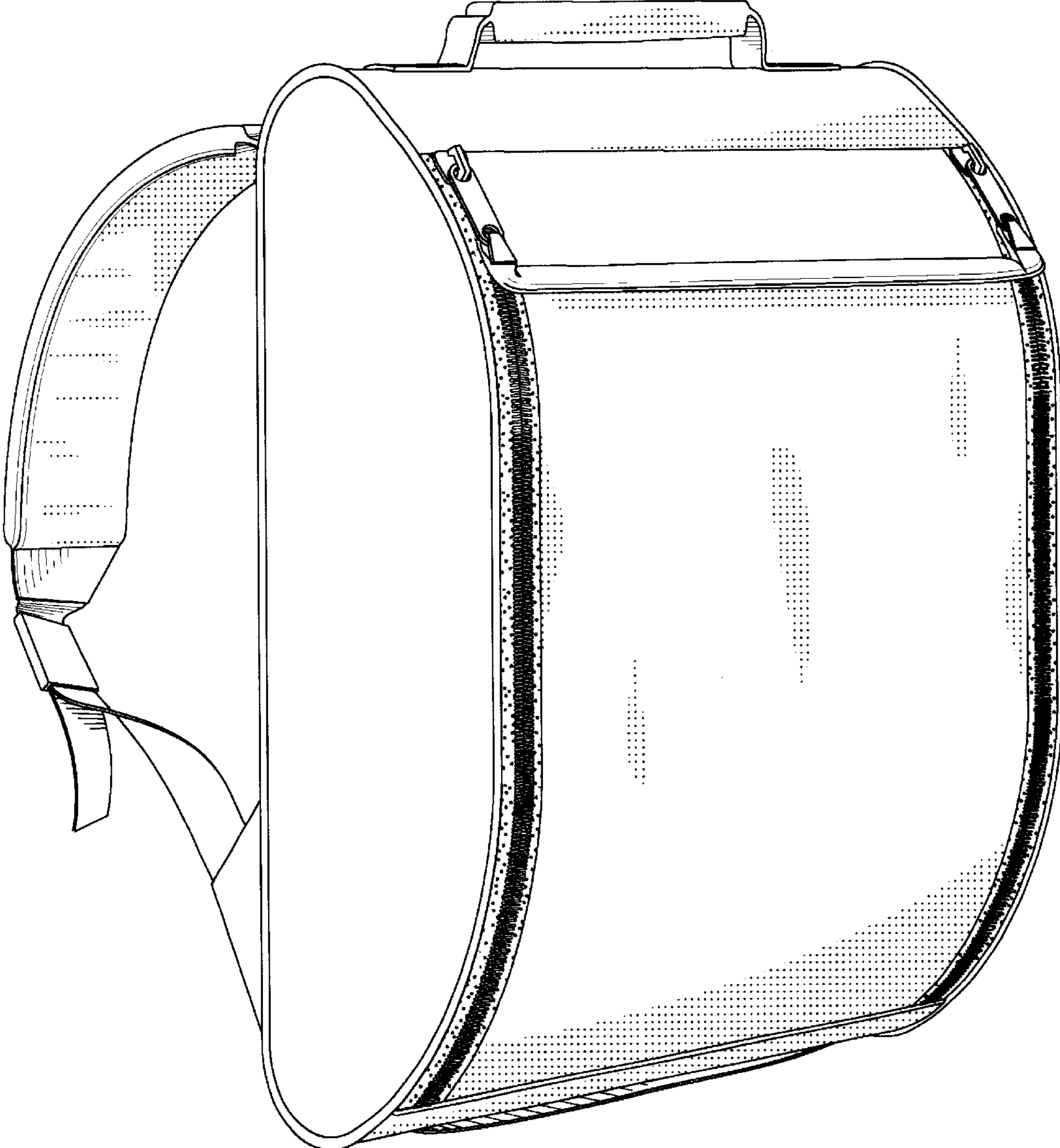


FIG. 1

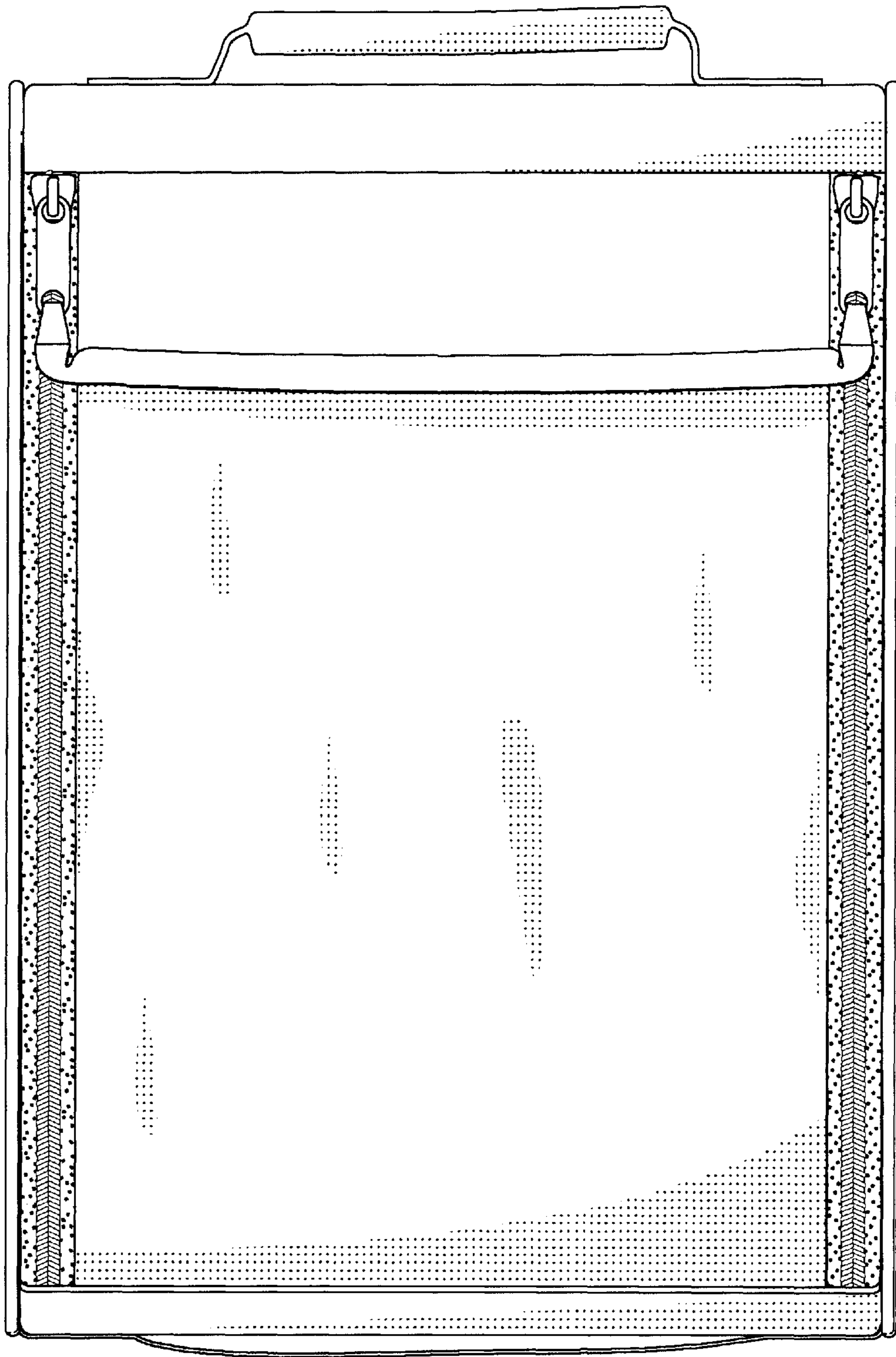


FIG. 2

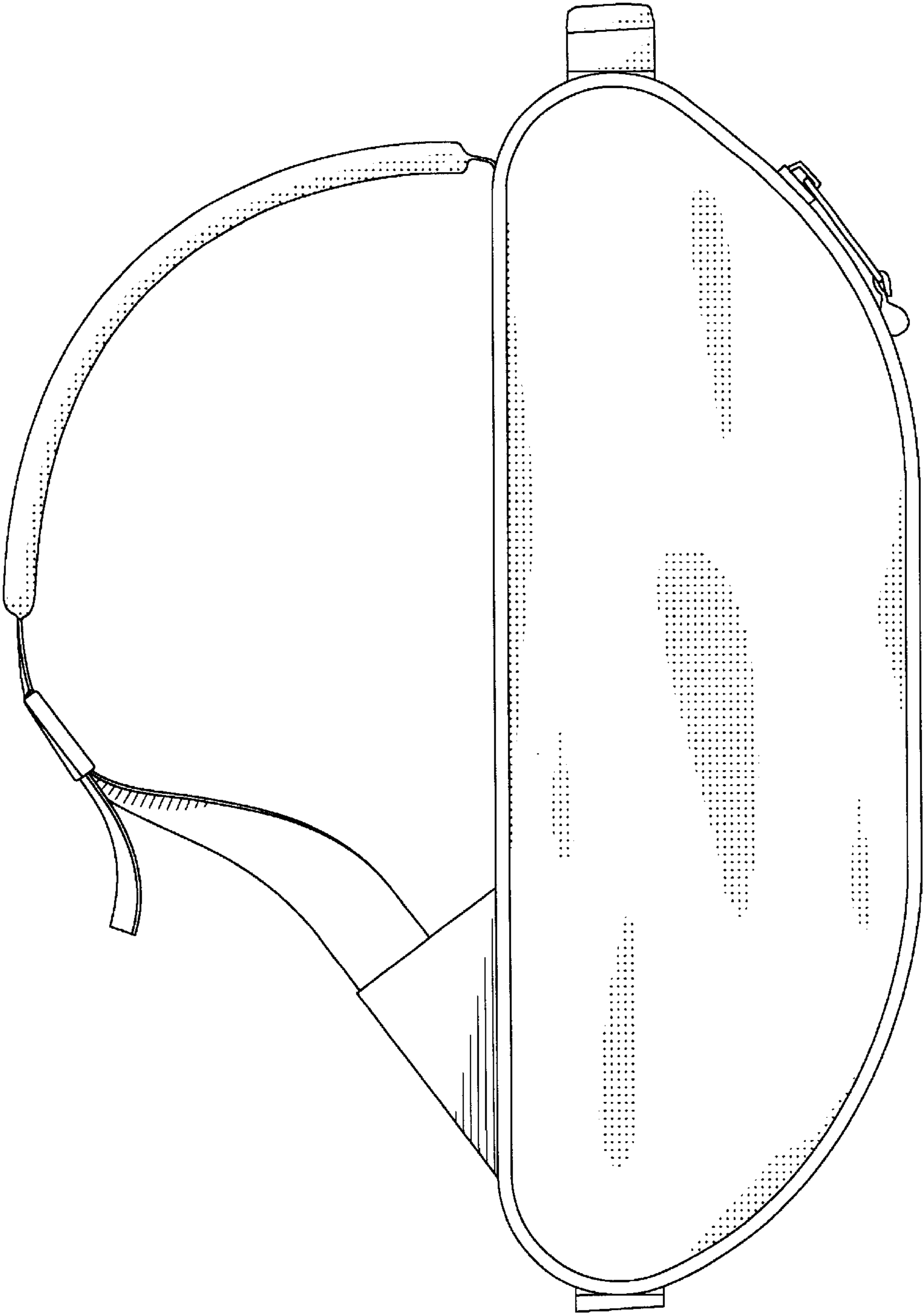


FIG. 3

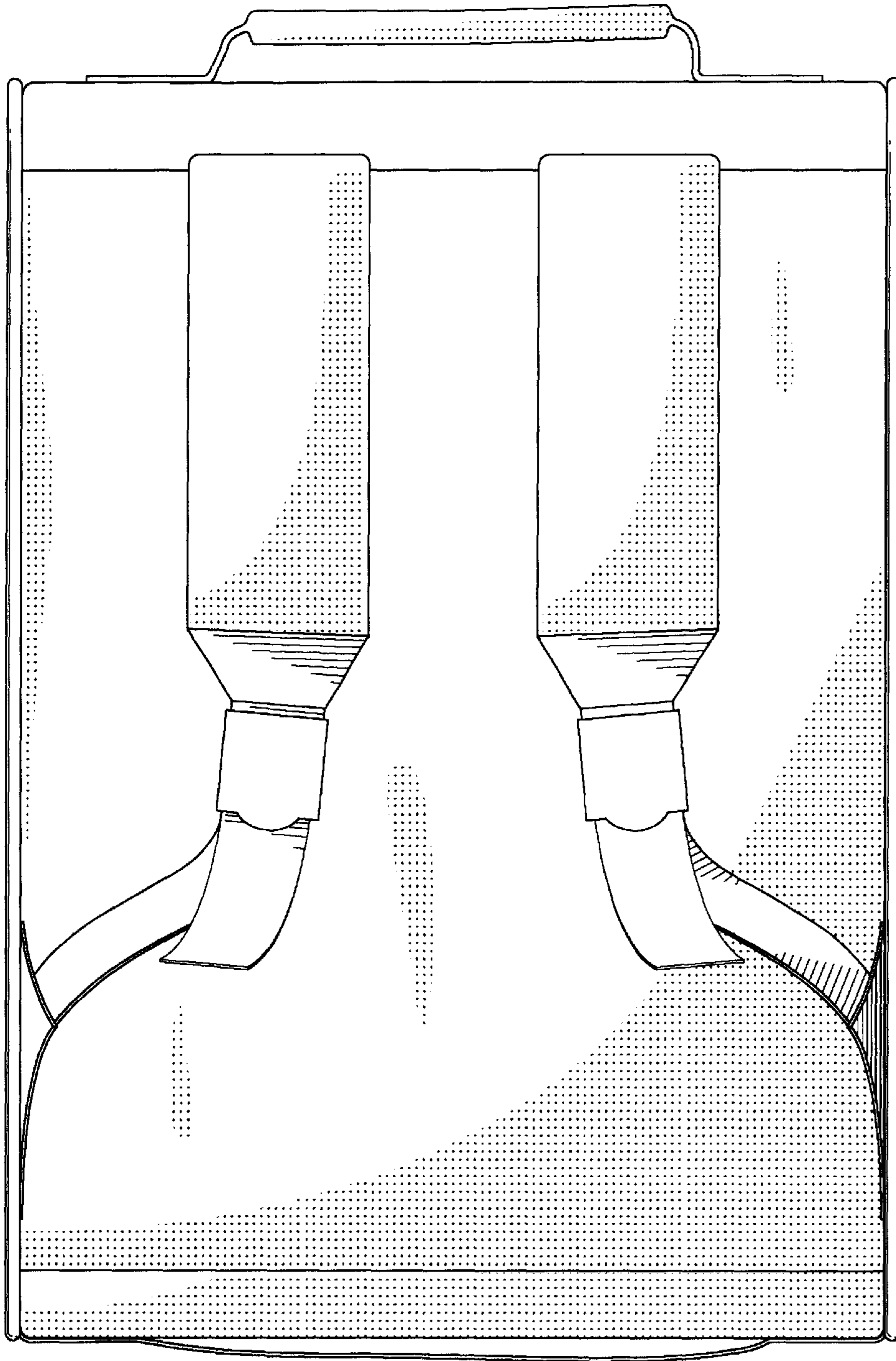


FIG. 4

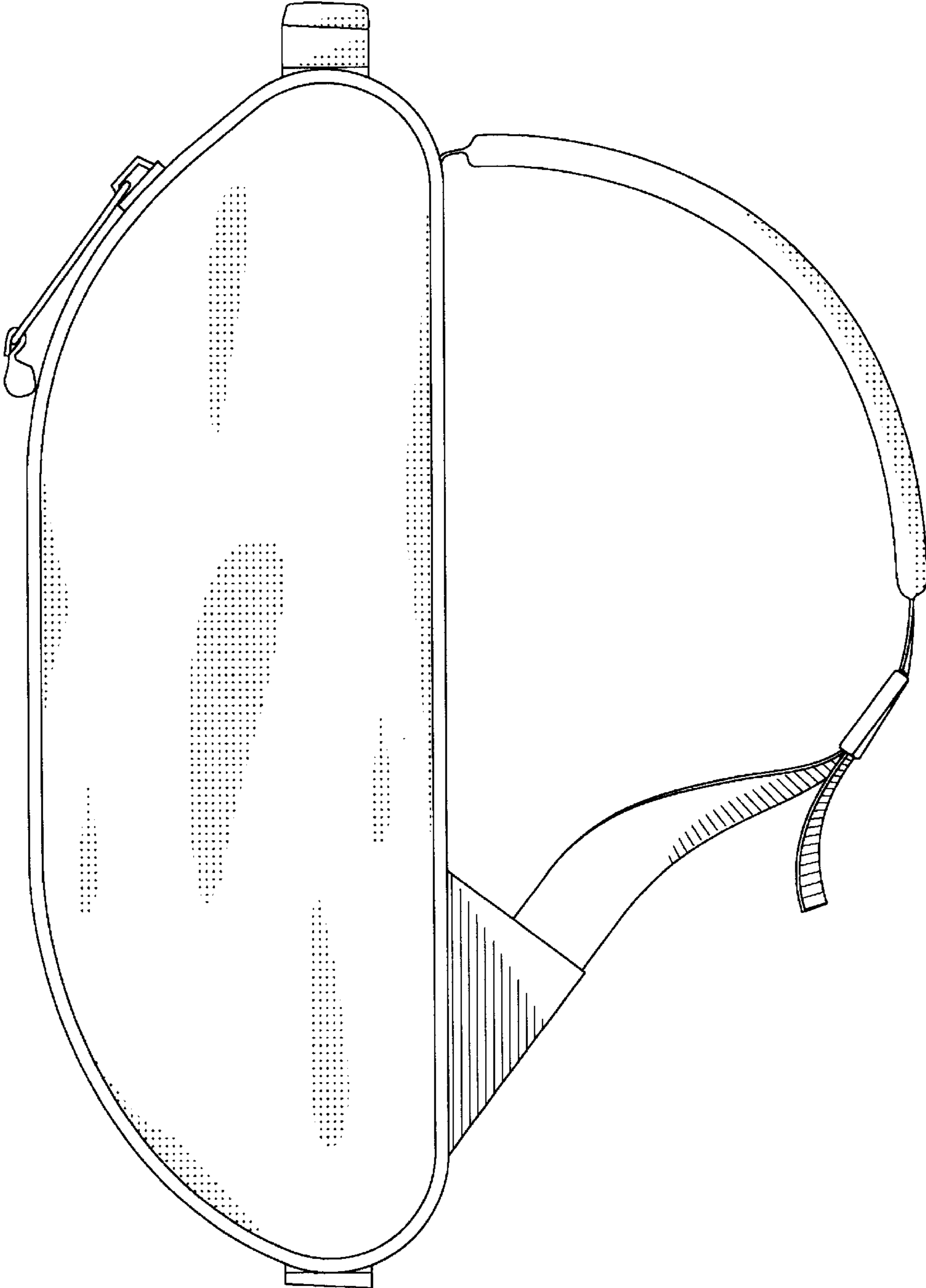


FIG. 5

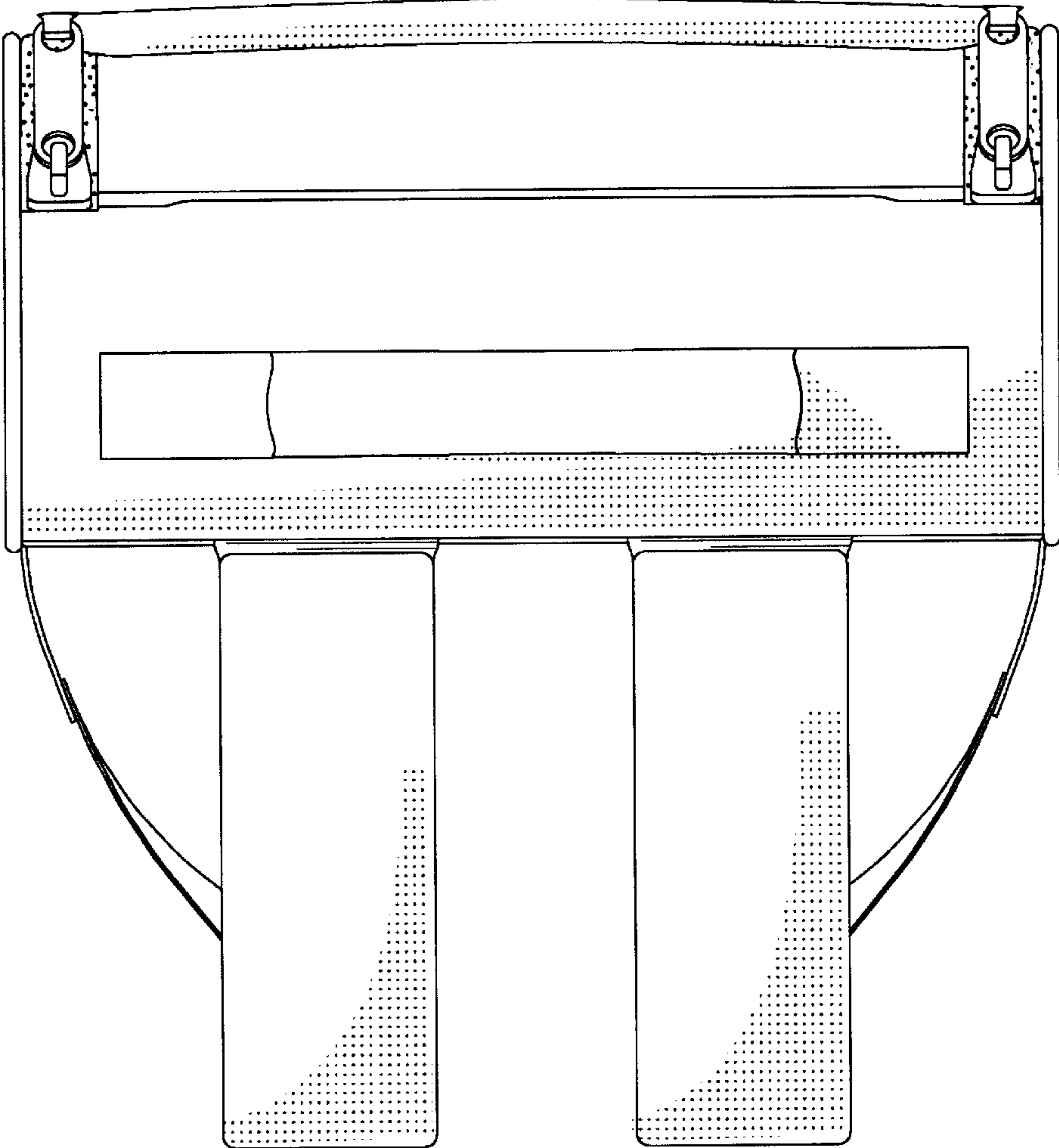


FIG. 6

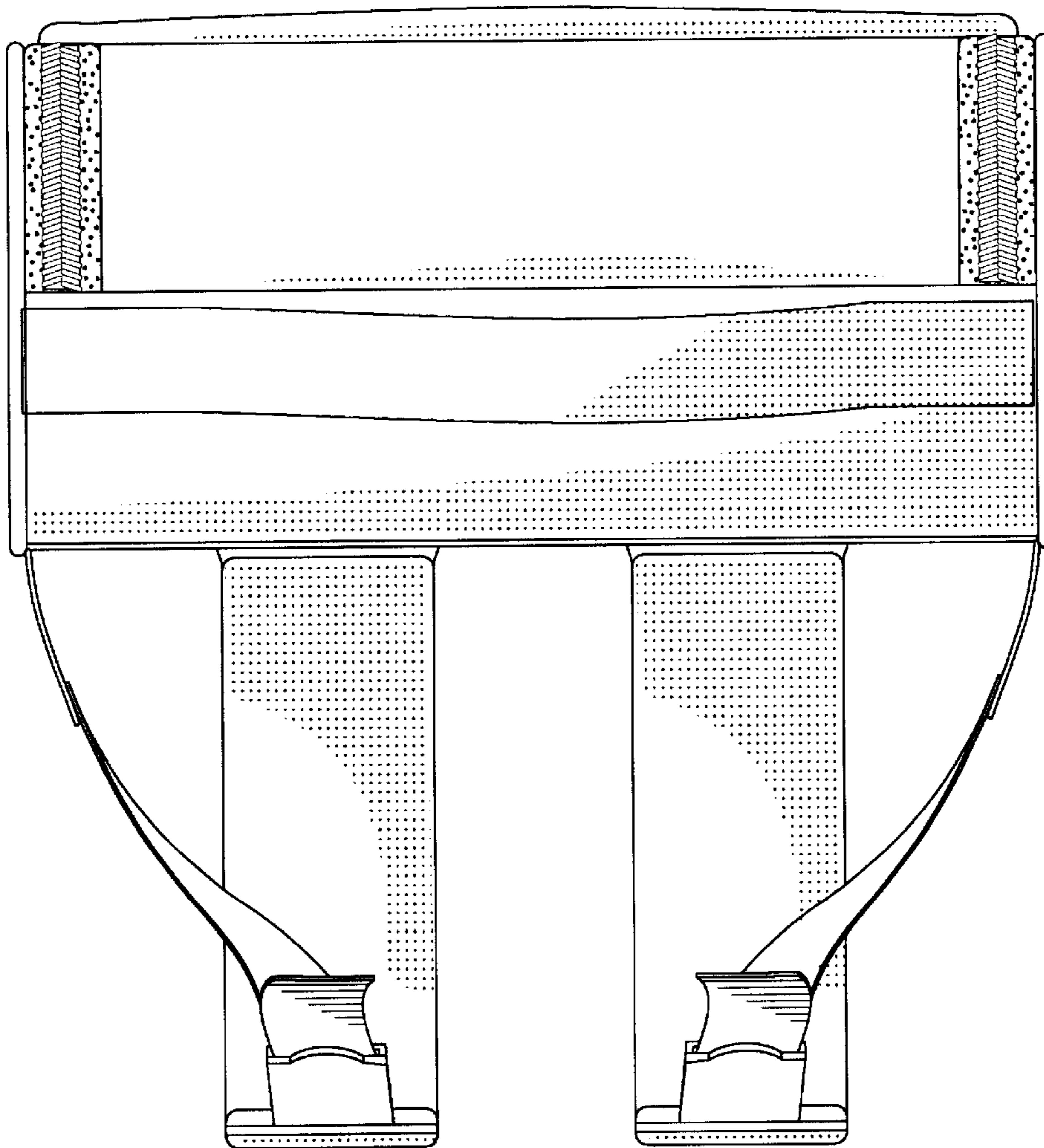


FIG. 7