



US00D506859S

(12) **United States Design Patent**  
**Ryan et al.**

(10) **Patent No.:** **US D506,859 S**  
(45) **Date of Patent:** **\*\* Jun. 28, 2005**

(54) **TOP COVER FOR A MATERIAL HANDLING VEHICLE**

D395,116 S \* 6/1998 Okerlund et al. .... D34/35  
D450,169 S \* 11/2001 Pulskamp et al. .... D34/35

(75) Inventors: **H. Scott Ryan**, Skaneateles, NY (US);  
**Douglas M. Russell**, Syracuse, NY (US);  
**David L. Fergot**, Syracuse, NY (US);  
**Gregory W. Smiley**, Greene, NY (US)

\* cited by examiner

*Primary Examiner*—Holly Baynham  
(74) *Attorney, Agent, or Firm*—Quarles & Brady LLP

(73) Assignee: **The Raymond Corporation**, Greene, NY (US)

(57) **CLAIM**

The ornamental design for a top cover for a material handling vehicle, as shown and described.

(\*\*) Term: **14 Years**

**DESCRIPTION**

(21) Appl. No.: **29/189,673**

In a preferred embodiment, the nature of this product is as a top cover useful in connection with a material handling vehicle.

(22) Filed: **Sep. 9, 2003**

(51) **LOC (8) Cl.** ..... **12-05**

(52) **U.S. Cl.** ..... **D34/35**

(58) **Field of Search** ..... D34/28, 34-35;  
180/89.12, 299, 315; 187/222, 224; 280/43.12;  
414/685, 679, 294

FIG. 1 is a top, left, front perspective view of a top cover for a material handling vehicle embodying our new design;  
FIG. 2 is a front elevational view thereof;  
FIG. 3 is a top plan view thereof;  
FIG. 4 is a left side elevational view thereof; and,  
FIG. 5 is a right side elevational view thereof.

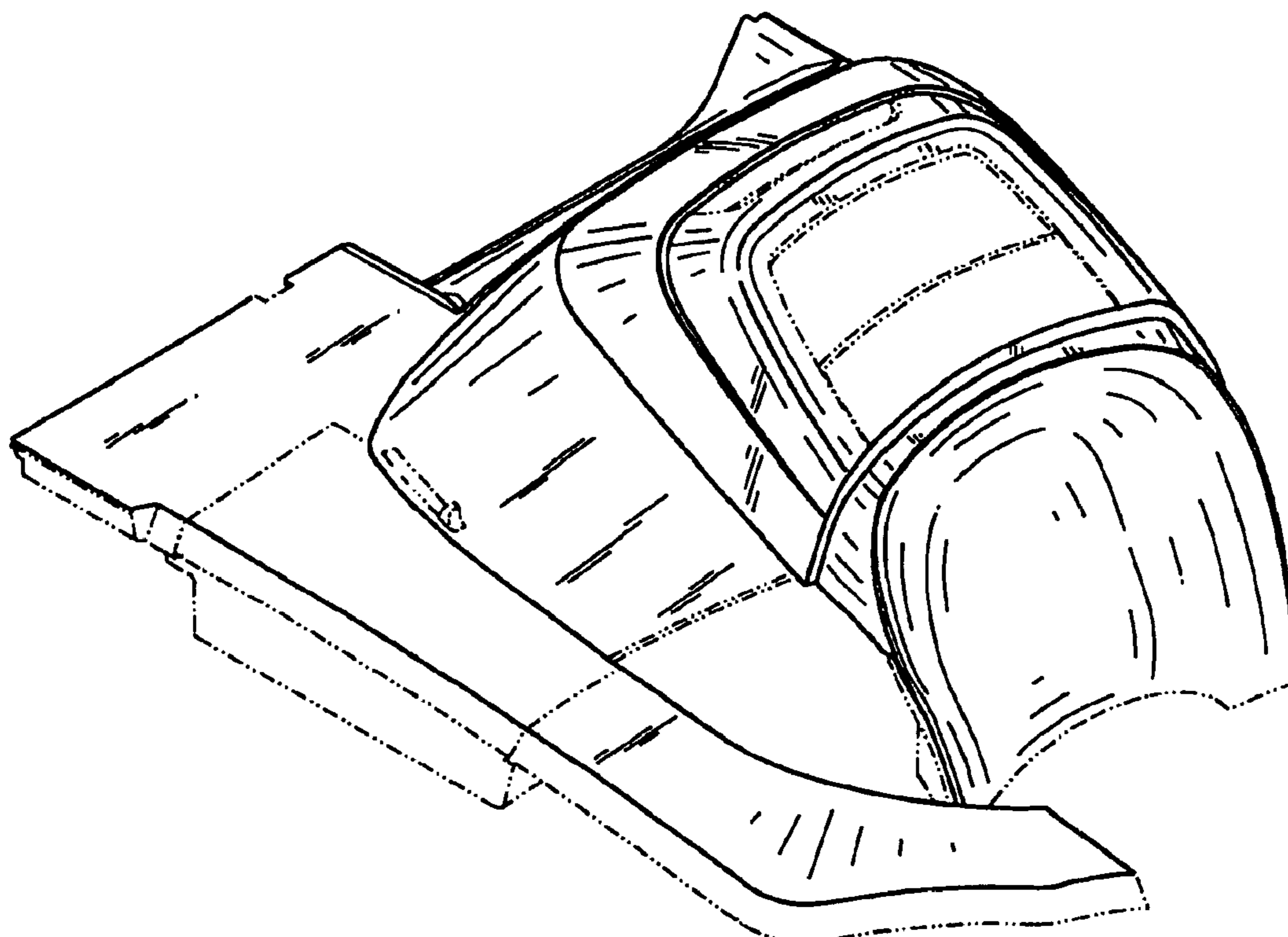
The broken line representations of portions of the top cover in FIGS. 1-5, are for the purpose of illustration only, and form no part of the claimed design.

(56) **References Cited**

**U.S. PATENT DOCUMENTS**

D277,795 S \* 2/1985 Griffiths ..... D34/35

**1 Claim, 3 Drawing Sheets**



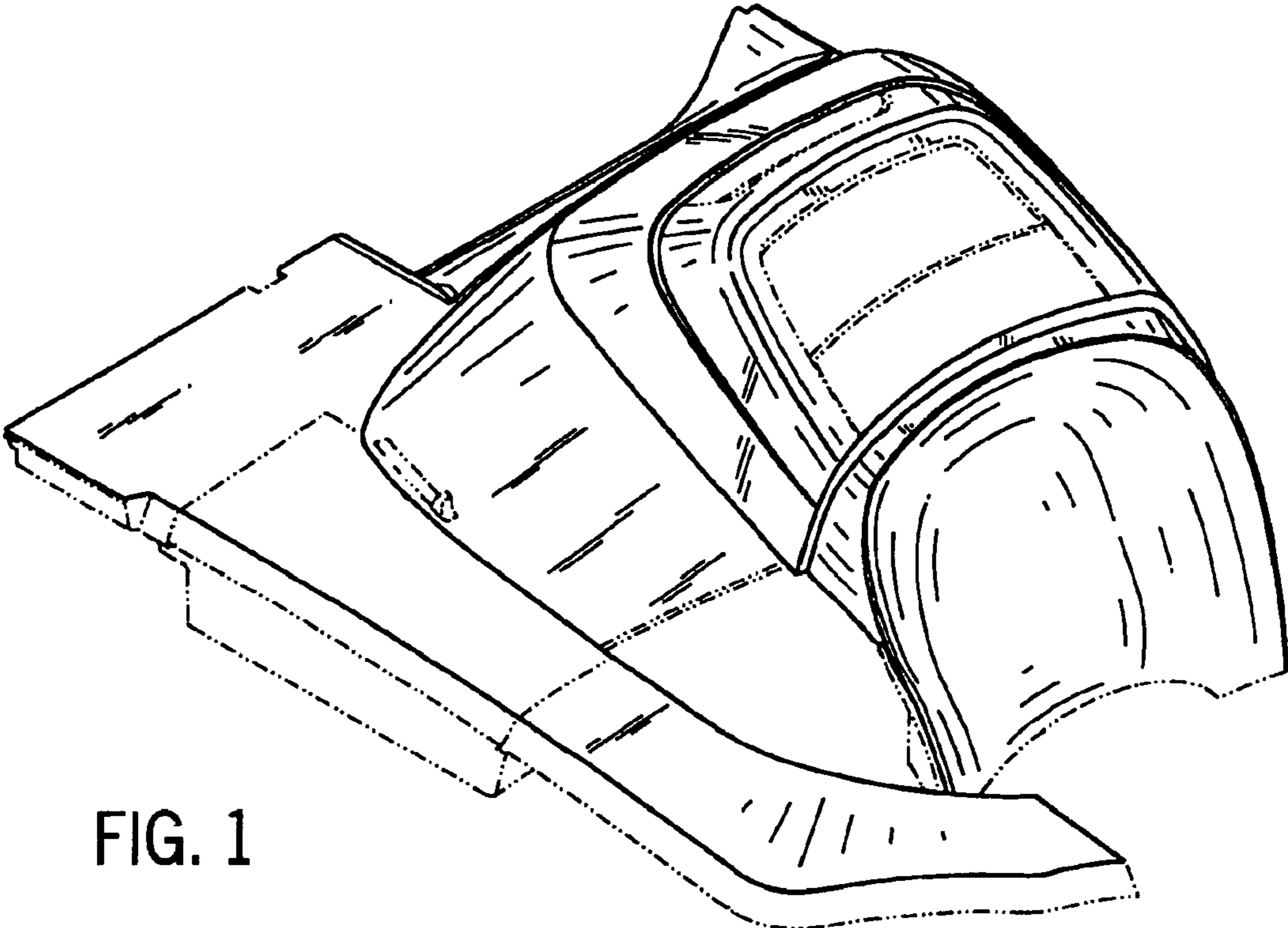


FIG. 1

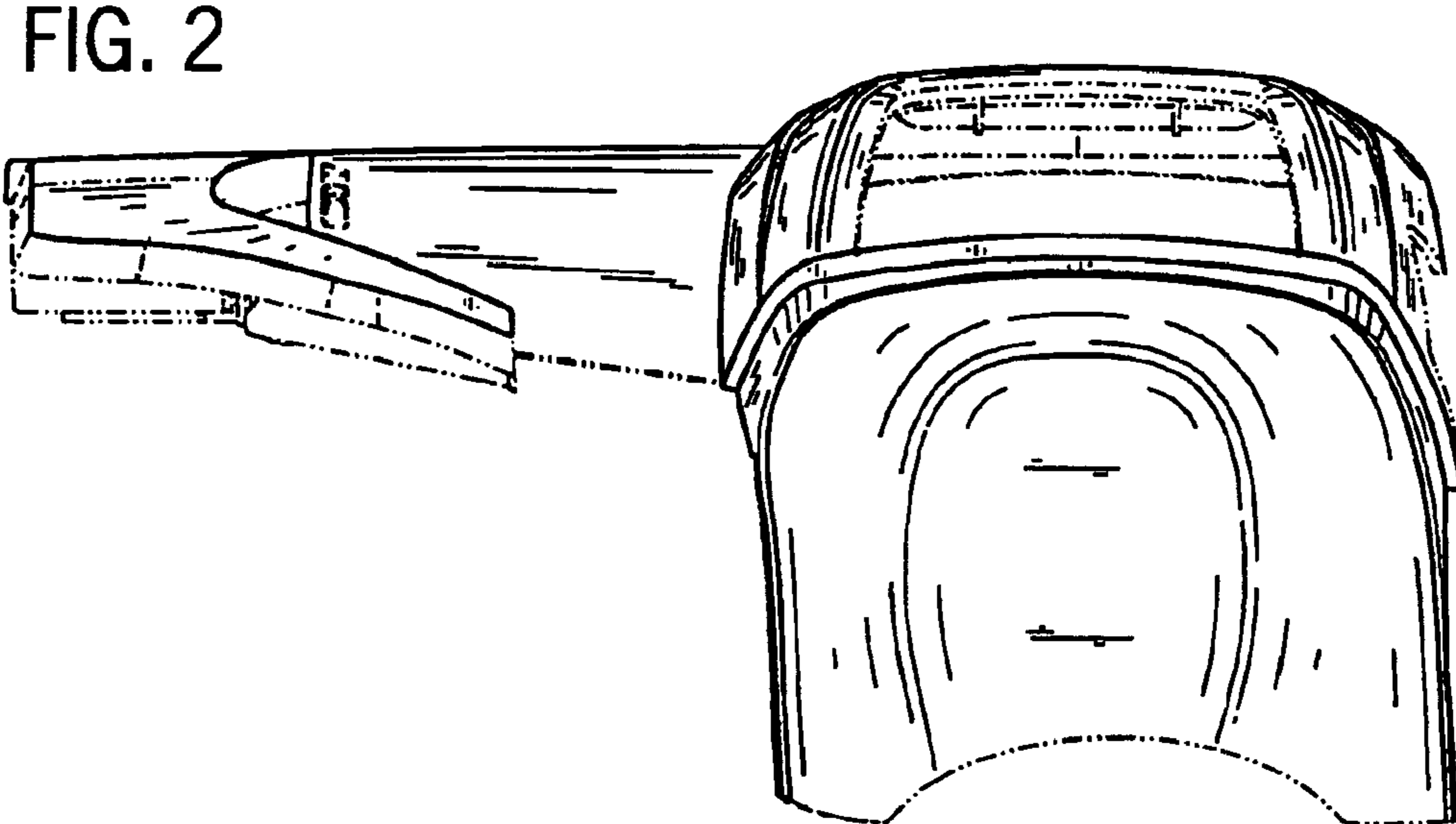


FIG. 2

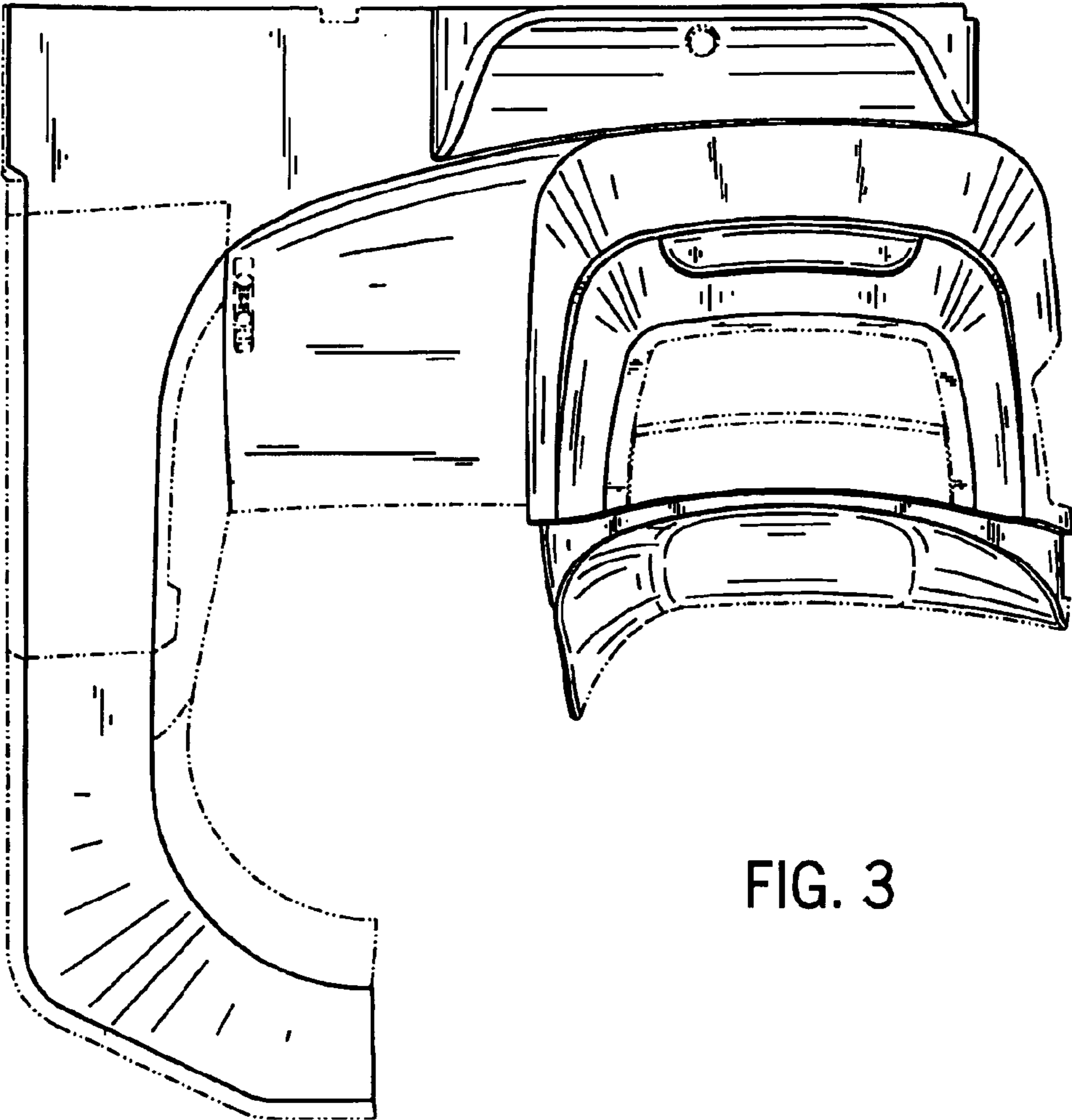


FIG. 3

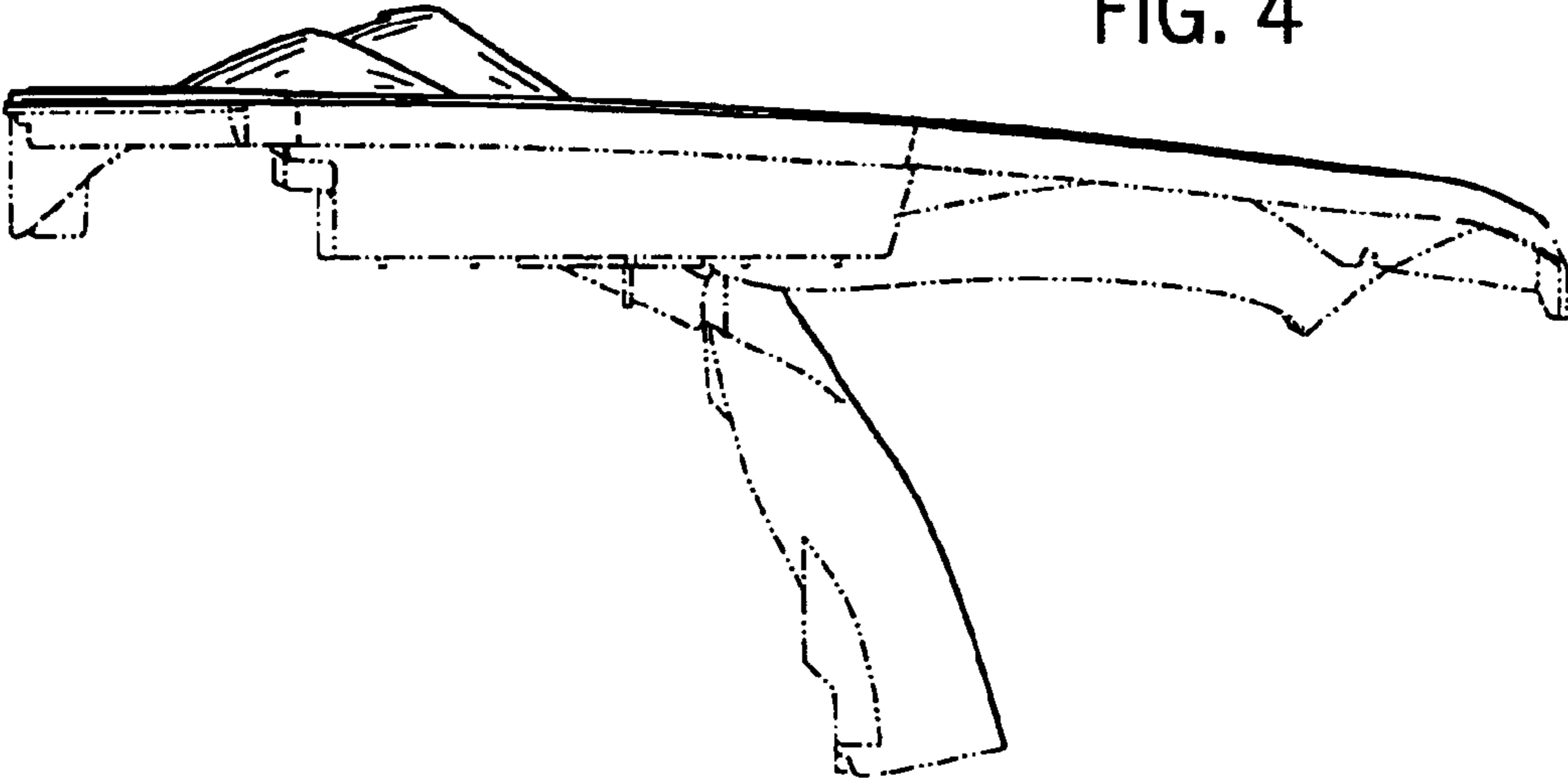


FIG. 4

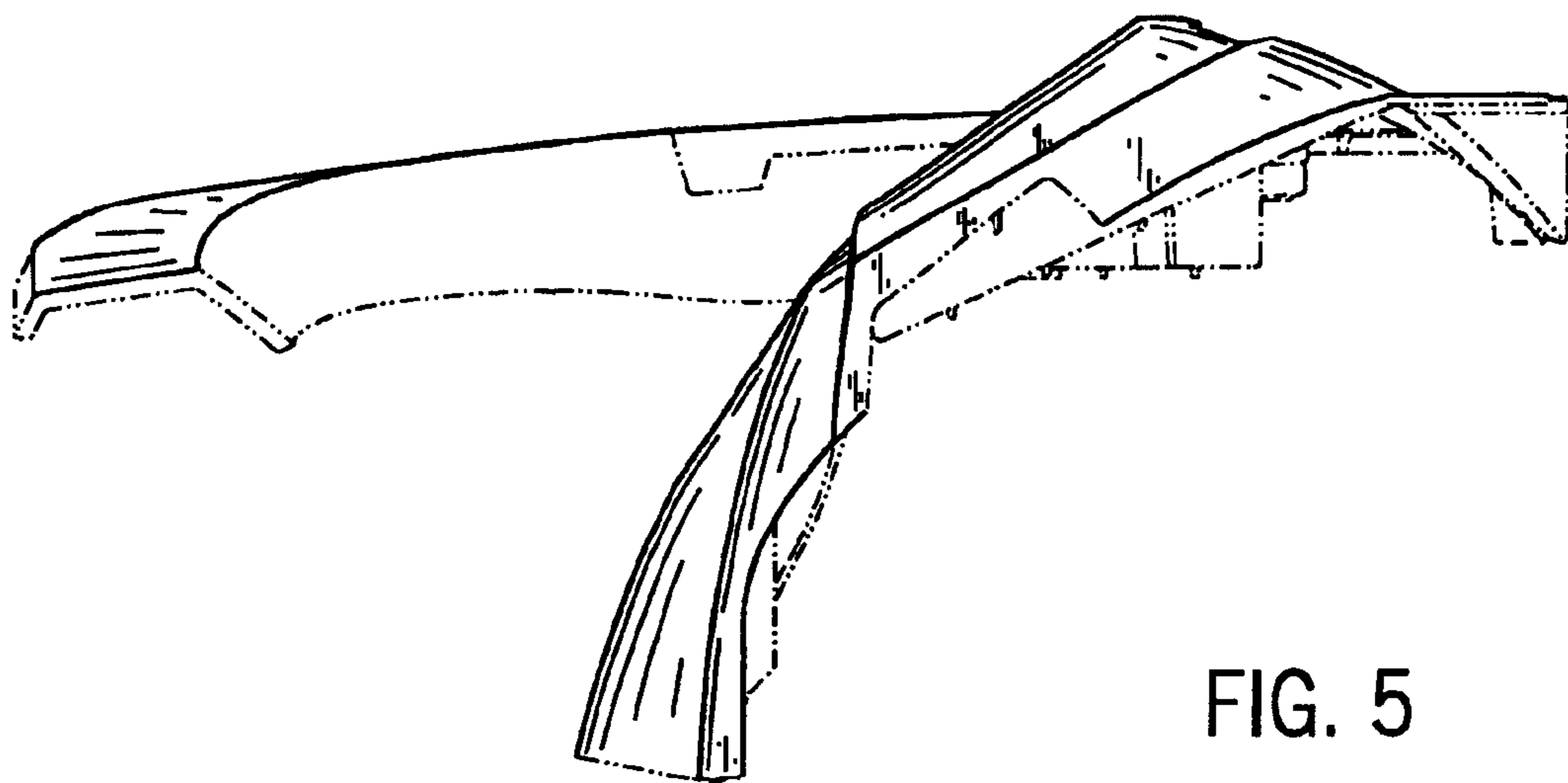


FIG. 5