

US00D506858S

(12) **United States Design Patent** (10) **Patent No.:** **US D506,858 S**
Kuehl et al. (45) **Date of Patent:** **** Jun. 28, 2005**

(54) **COMBINED LADDER-CART**
 (75) Inventors: **Gerald E. Kuehl**, Collegetown, PA
 (US); **Ronald Bernard**, Coatesville, PA
 (US); **William F. Frame**, Hochessin,
 DE (US)

4,618,029 A 10/1986 Lowry
 4,652,003 A 3/1987 Karashima
 4,758,007 A 7/1988 Reck
 D356,164 S * 3/1995 Rinke D25/64
 6,196,560 B1 * 3/2001 Ohlsson 280/30

(73) Assignee: **Ballymore Company, Inc.**, West
 Chester, PA (US)

(**) Term: **14 Years**

(21) Appl. No.: **29/160,274**

(22) Filed: **May 8, 2002**

(51) **LOC (8) Cl.** **12-02**

(52) **U.S. Cl.** **D34/20; D25/64**

(58) **Field of Search** D34/12-27; D25/62-65;
 280/166, 47.17, 30, 47.25, 47.29; 182/15,
 22, 92, 127, 129, 17

(56) **References Cited**

U.S. PATENT DOCUMENTS

2,707,585 A 5/1955 Hoey
 2,798,652 A 7/1957 Easton
 2,827,215 A 3/1958 Burg et al.
 D212,875 S * 12/1968 Ziskal D34/20
 3,434,566 A 3/1969 Miller
 3,870,333 A 3/1975 Burdick et al.
 3,997,024 A 12/1976 Fredricks et al.
 4,166,516 A * 9/1979 Thurmond, Jr. 182/15
 4,174,021 A 11/1979 Barlock

OTHER PUBLICATIONS

Ballymore/Garlin Safety Ladder, Rolling Safety Ladders,
 Mar. 2002, pp. 1-12.
 Global Equipment Co. catalogue, pp. 10, 10, 108, 109, 111,
 188.
 Gillis catalogue, pp. 22, 25, 26, 127, 159.
 C & H catalogue, pp. 249-51, 254, 486.
 Dozier Equipment Company, 1 page.
 Cotterman Series 6500, 1 page.

* cited by examiner

Primary Examiner—Kay H. Chin

(74) *Attorney, Agent, or Firm*—Stuart D. Rudoler, Esq.

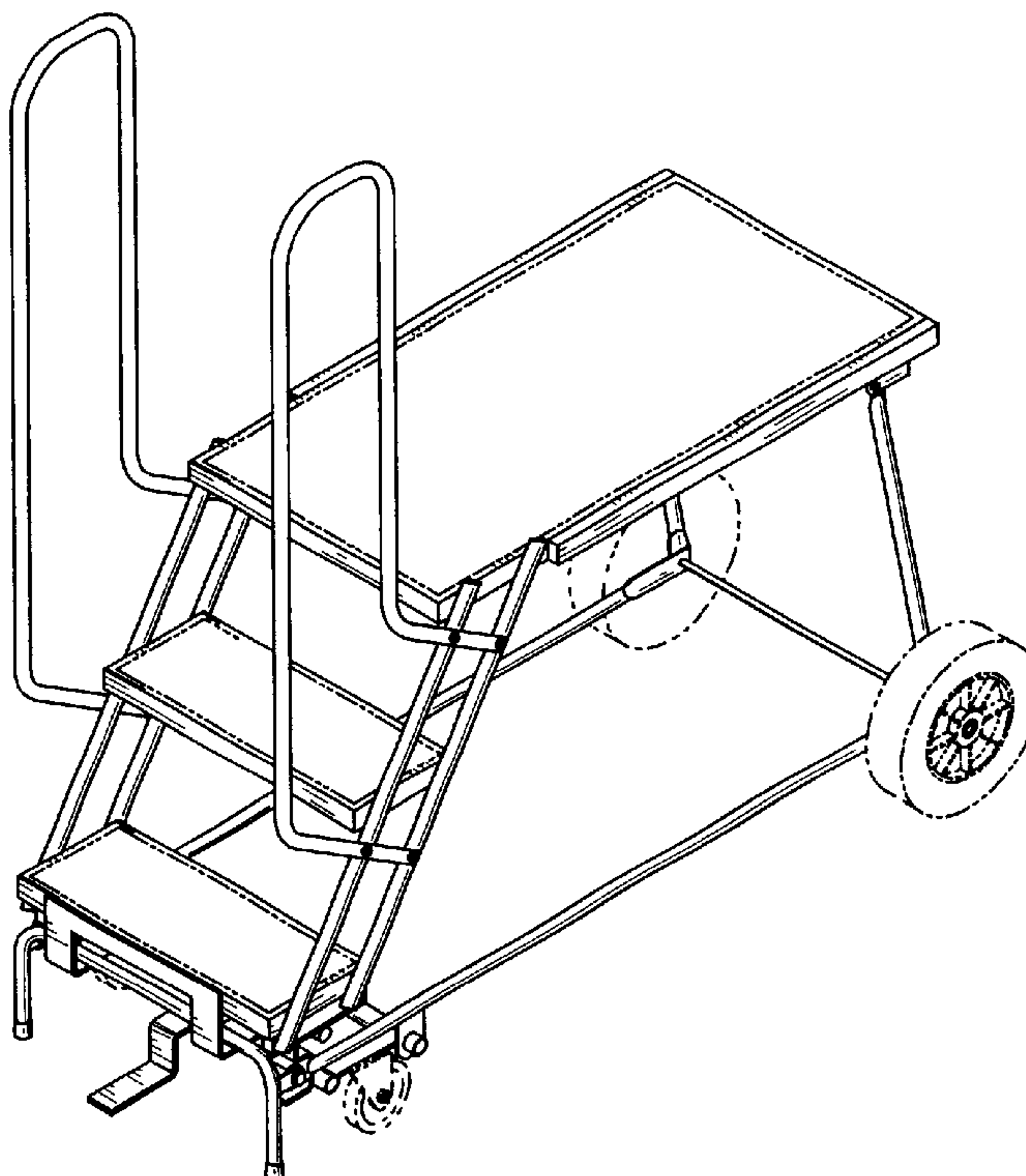
(57) **CLAIM**

The ornamental design for a combined ladder-cart, as shown
 and described.

DESCRIPTION

FIG. 1 is a perspective view of a combined ladder-cart
 showing our new design; the broken line illustration of
 wheels is for illustrative purposes only and forms no part of
 the claimed design; and,
 FIG. 2 is a side view thereof.

1 Claim, 1 Drawing Sheet



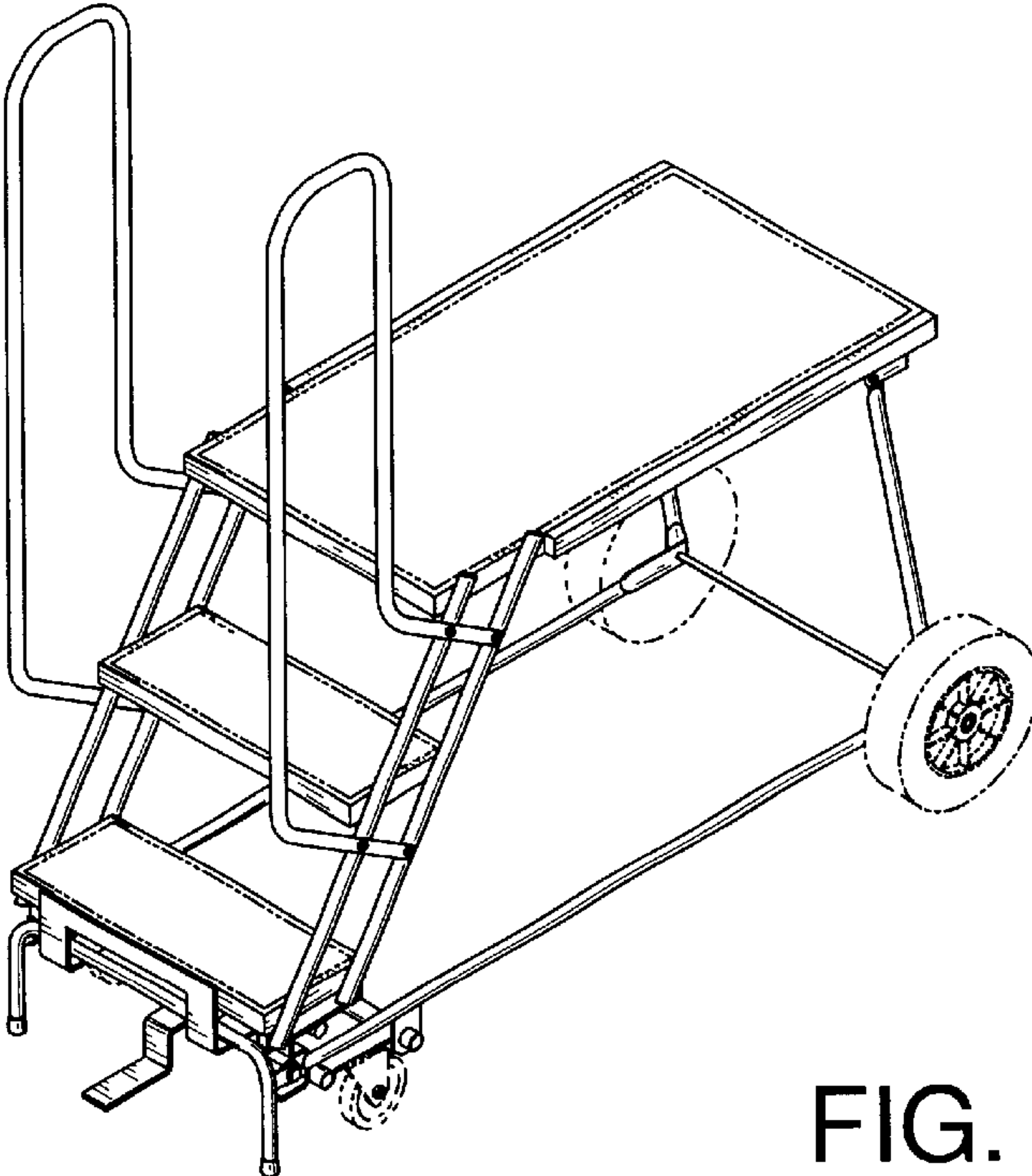


FIG. 1

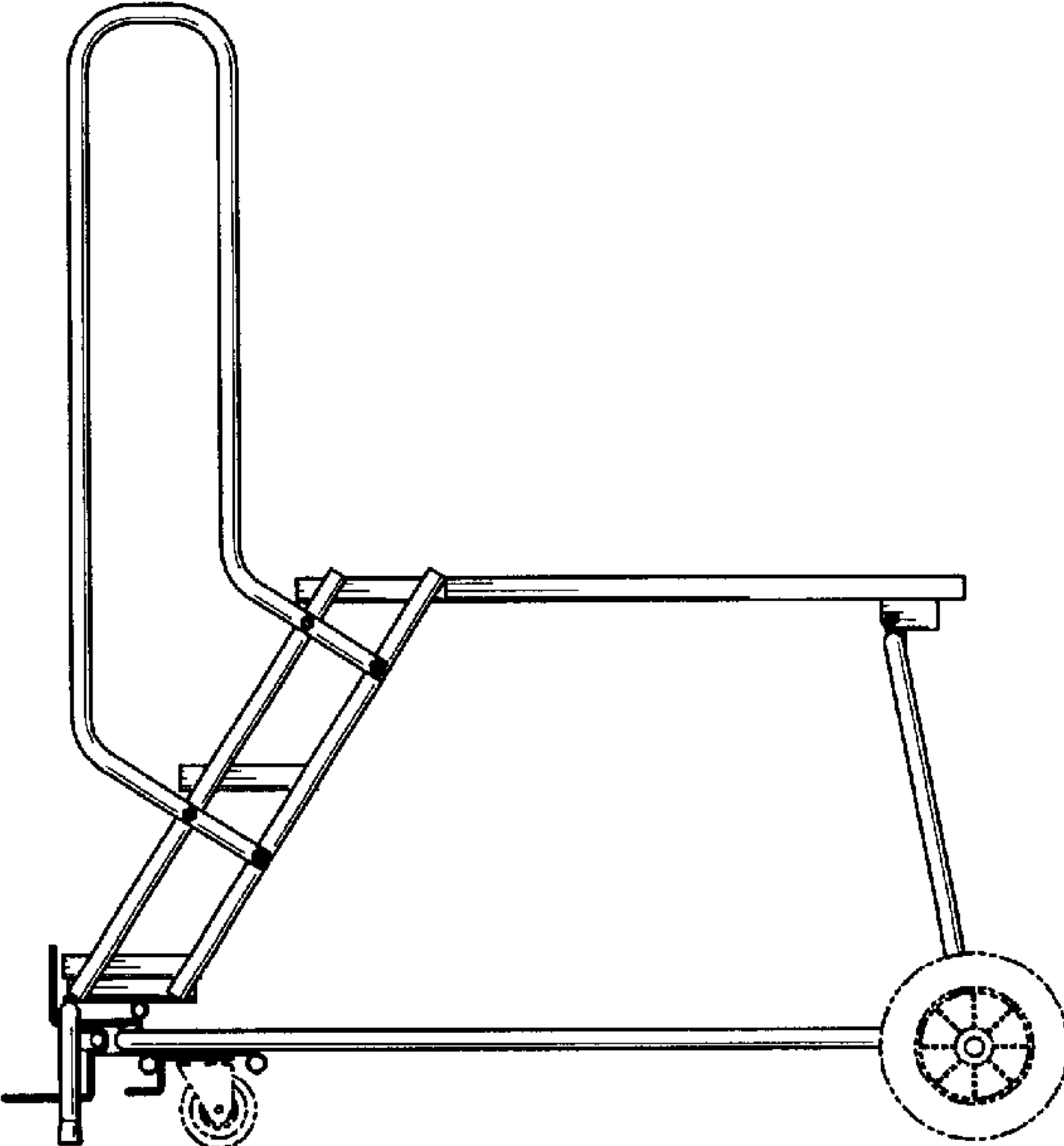


FIG. 2