

US00D506855S

(12) **United States Design Patent**
Compagnucci

(10) **Patent No.: US D506,855 S**
(45) **Date of Patent: ** Jun. 28, 2005**

(54) **BASKET**

(75) **Inventor: Rossano Compagnucci, Osimo (IT)**

(73) **Assignee: Compagnucci S.p.A., Santa Maria Nuova (IT)**

(**) **Term: 14 Years**

(21) **Appl. No.: 29/194,391**

(22) **Filed: Nov. 24, 2003**

(30) **Foreign Application Priority Data**

May 28, 2003 (EP) 000037304

(51) **LOC (8) Cl. 15-05**

(52) **U.S. Cl. D32/3**

(58) **Field of Search** D3/304-315; D6/566;
D19/90, 92; 211/126.9, 133.2, 133.5, 41.4;
220/485, 487, 488; D7/704; D32/3, 55,
58

(56) **References Cited**

U.S. PATENT DOCUMENTS

363,045 A * 5/1887 Cannom 220/487

608,139 A * 7/1898 Timberlake 362/388
2,213,918 A * 9/1940 Lofstrand, Jr. 220/488
2,910,207 A * 10/1959 Andrew 220/488
D268,878 S * 5/1983 Taylor D32/55

* cited by examiner

Primary Examiner—Louis S. Zarfes

Assistant Examiner—John Windmuller

(74) *Attorney, Agent, or Firm*—Armstrong, Kratz, Quintos,
Hanson & Brooks, LLP

(57) **CLAIM**

The ornamental design for a basket, as shown and described.

DESCRIPTION

FIG. 1 is a top plan view of a basket showing my new design;

FIG. 2 is a rear elevational view thereof in overturned position.

FIG. 3 is a front elevational view thereof.

FIG. 4 is a right side elevational view thereof.

FIG. 5 is a left side elevational view thereof.

FIG. 6 is a bottom plan view thereof; and,

FIG. 7 is a left front perspective view thereof.

1 Claim, 2 Drawing Sheets

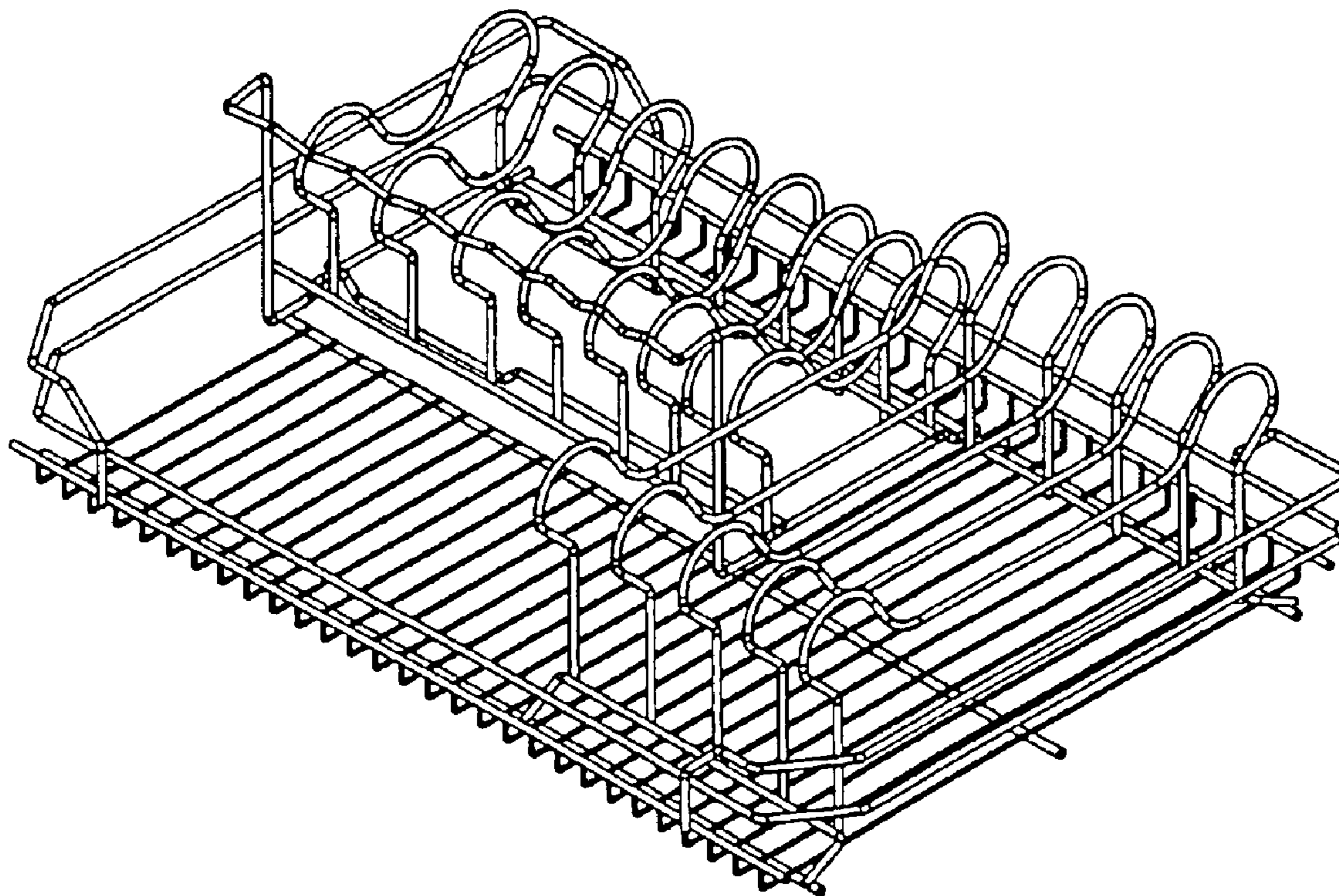


Fig. 3

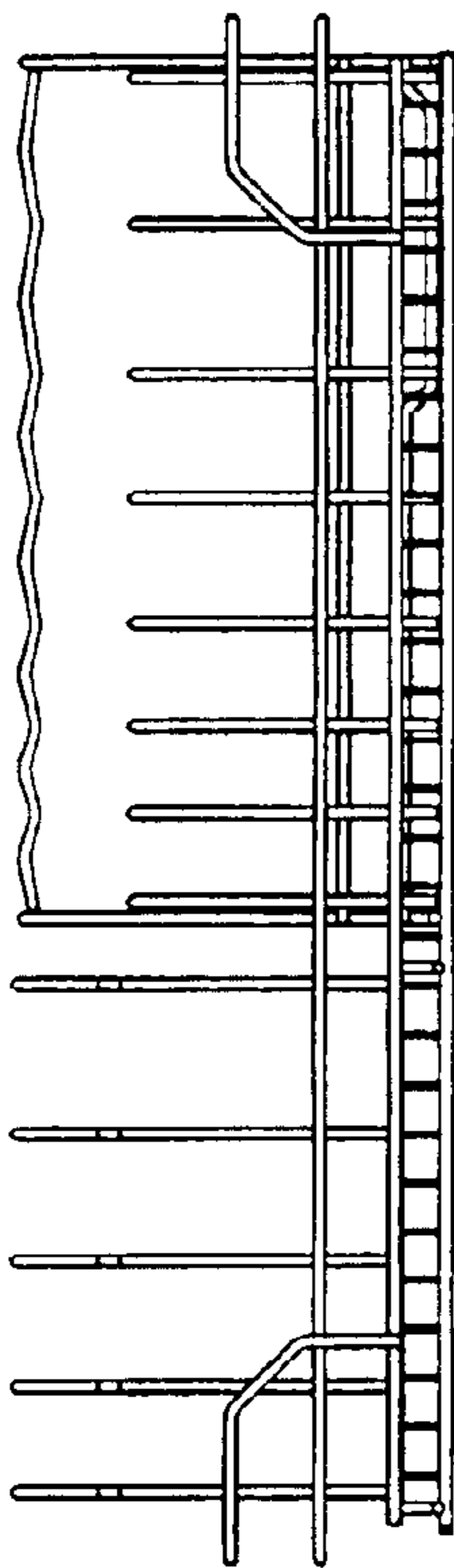
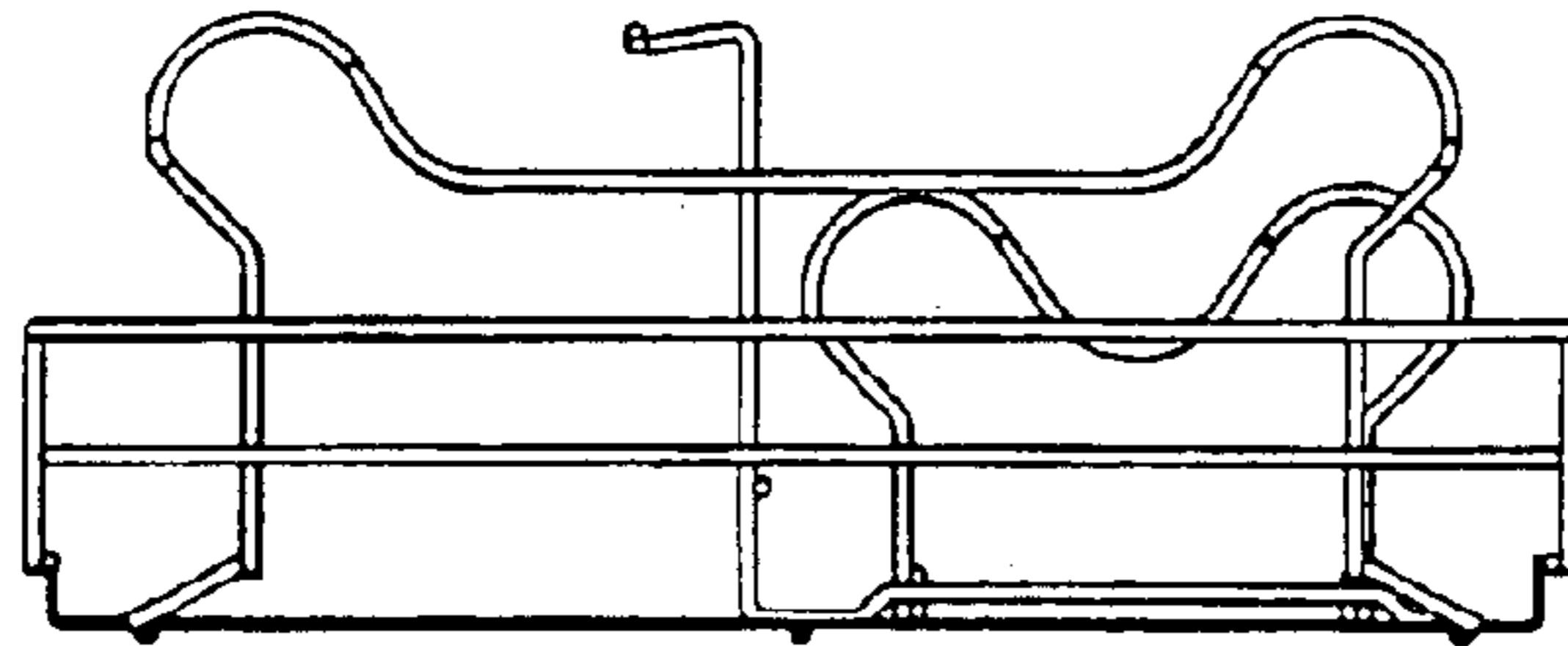


Fig. 4

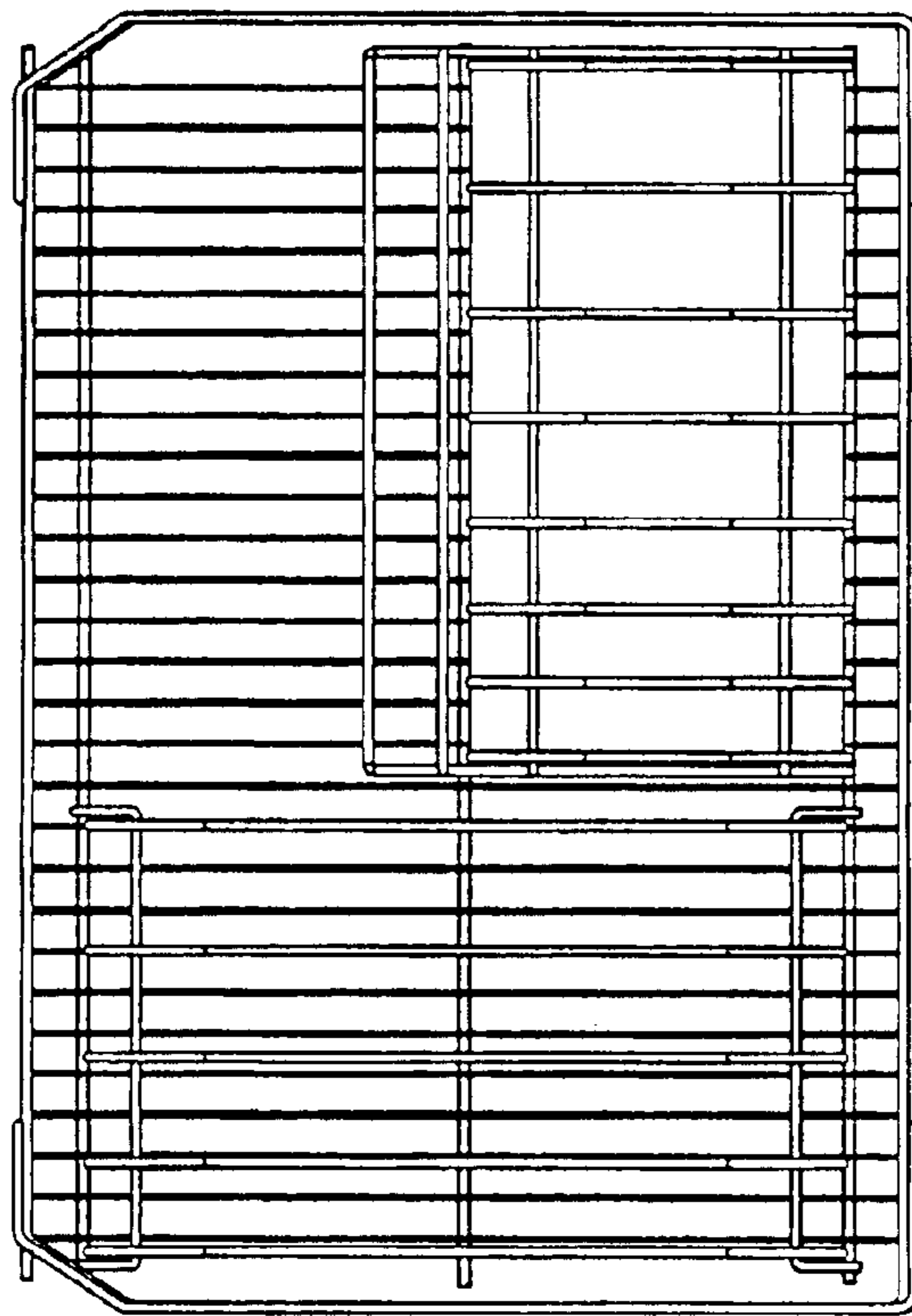


Fig. 1

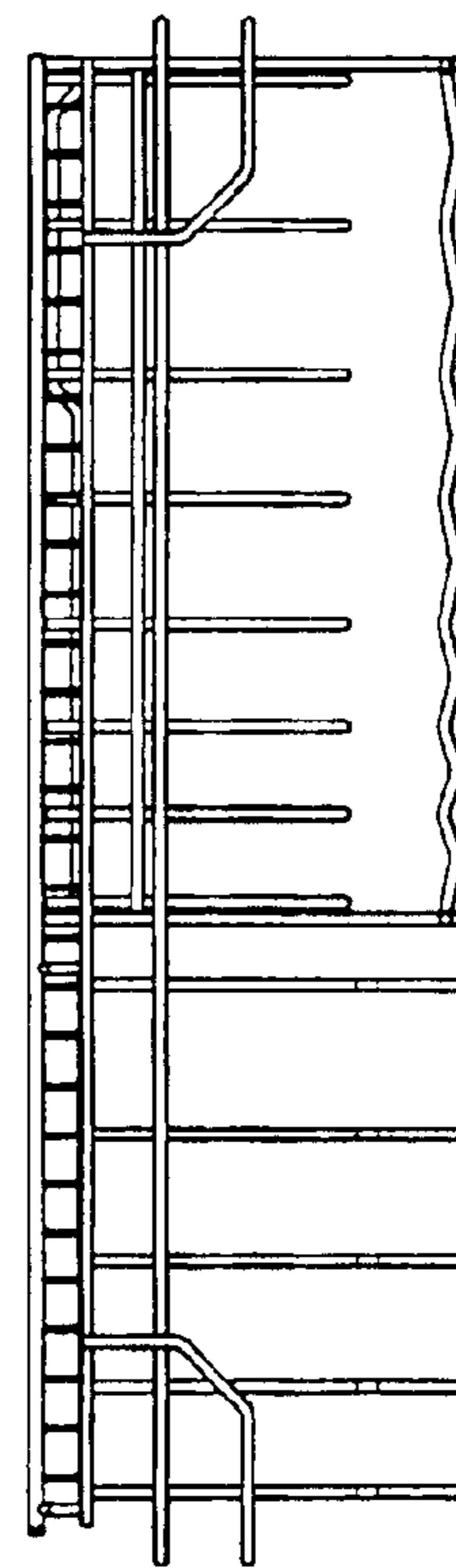


Fig. 5

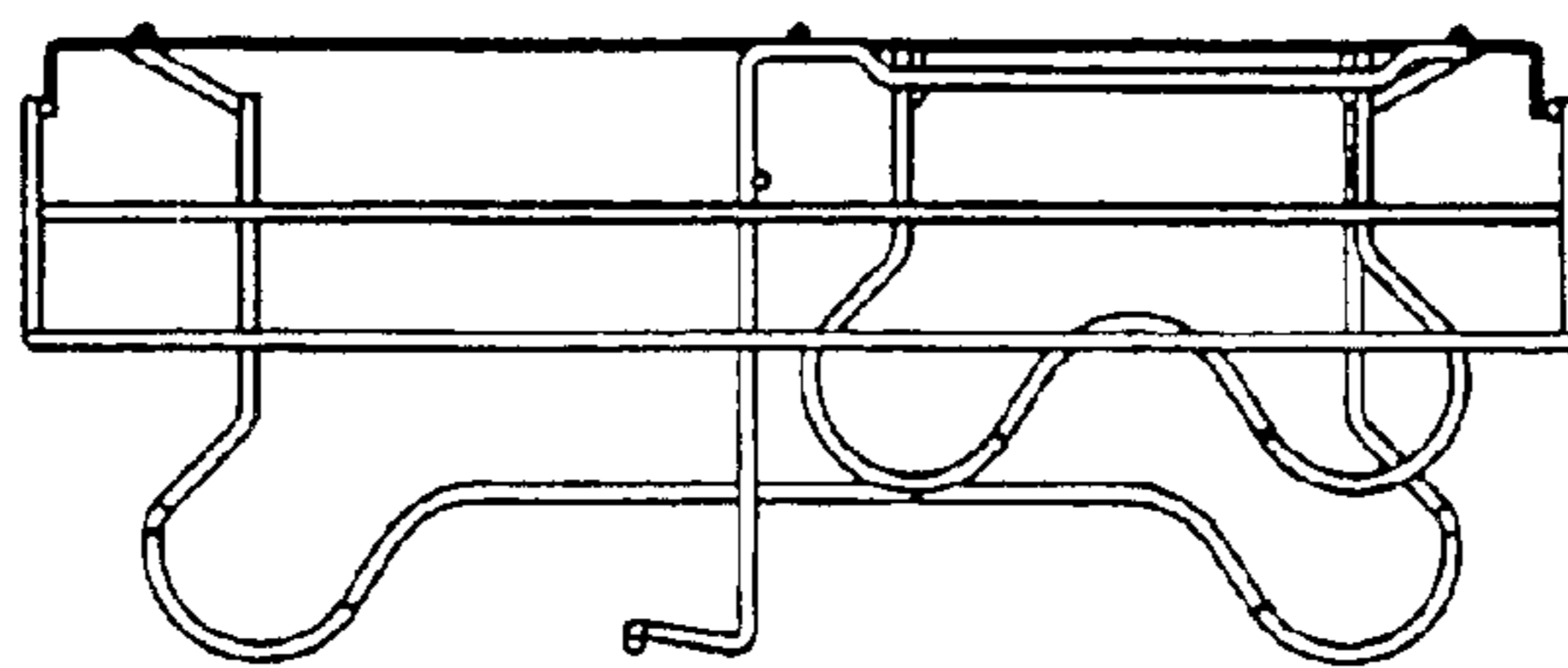


Fig. 2

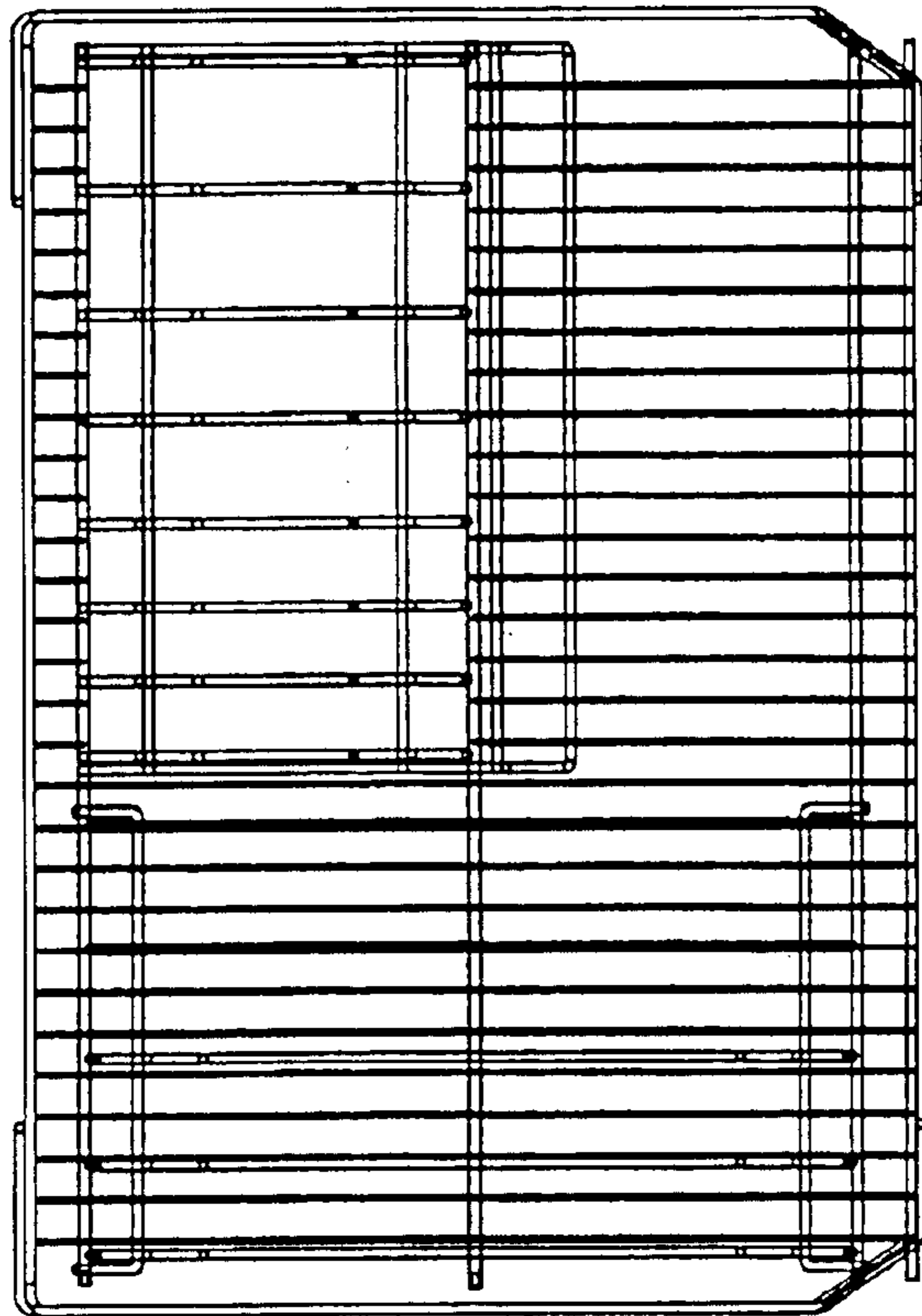


Fig. 6

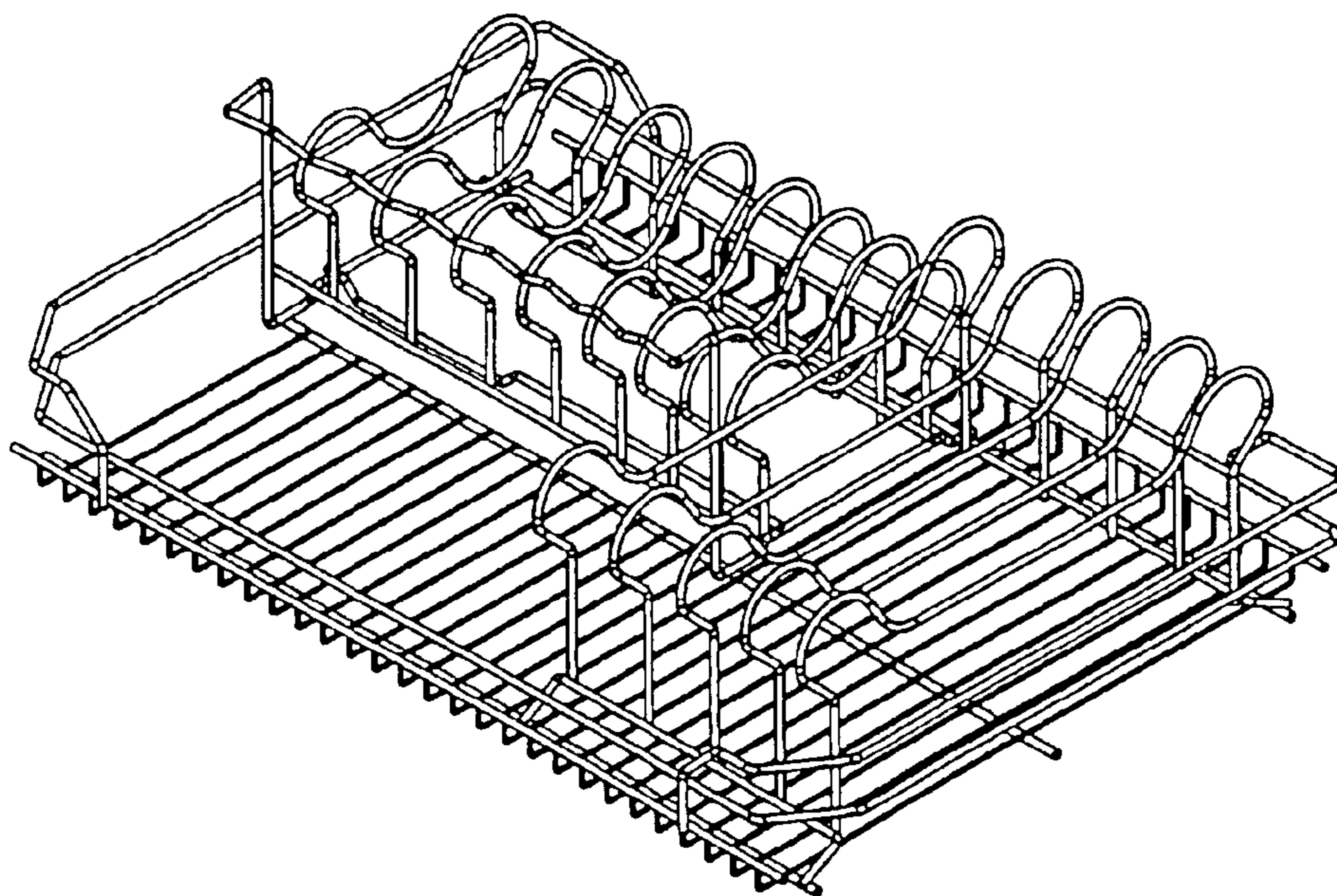


Fig. 7