

US00D506854S

(12) **United States Design Patent**  
**Baker**

(10) **Patent No.: US D506,854 S**

(45) **Date of Patent: \*\* Jun. 28, 2005**

(54) **COMBINED PET BOOK TOY AND FEEDING DISH**

(76) Inventor: **Edward Hulihee Baker**, 45-346 Puali St., Kaneohe, HI (US) 96744

(\*\*) Term: **14 Years**

(21) Appl. No.: **29/198,957**

(22) Filed: **Feb. 5, 2004**

(51) **LOC (8) Cl. .... 30-03**

(52) **U.S. Cl. .... D30/133; D30/129; 119/51.01; D19/26**

(58) **Field of Search .... D30/129, 132-133, D30/160; 119/51.01, 61-62, 72, 51.5, 51.12, 51.14, 51.15; D19/26, 28; 206/457, 509, 459.1; D3/295, 903; D9/420, 432**

(56) **References Cited**

**U.S. PATENT DOCUMENTS**

D18,248 S	4/1888	Hamborg et al.	
D28,308 S	2/1898	Foutch	
1,646,632 A	10/1927	Spinner	
1,738,333 A	12/1929	Szymanski	
1,756,135 A	4/1930	Ruskin	
2,126,407 A	8/1938	Payne et al.	
2,341,600 A	2/1944	Daniel	
3,176,656 A	4/1965	Bates	
3,527,192 A	9/1970	Ferrara	
3,755,925 A	9/1973	Court	
3,902,598 A	9/1975	Koob et al.	
D238,592 S	* 1/1976	Goldman et al. ....	D30/133
D272,546 S	2/1984	Holson	
4,467,920 A	8/1984	Smith	

D275,530 S	9/1984	Duckworth	
5,207,326 A	* 5/1993	Benach .....	206/424
5,209,184 A	5/1993	Sharkan et al.	
5,458,087 A	10/1995	Prior et al.	
D386,677 S	11/1997	Abiteboul	
D398,527 S	* 9/1998	Maceachern et al. ....	D9/432
D431,107 S	9/2000	Palazzo	
6,138,608 A	10/2000	Mosley	
6,158,588 A	* 12/2000	Conti .....	206/457
6,557,489 B2	* 5/2003	King .....	119/51.01
2003/0026876 A1	2/2003	Albuja et al.	
2003/0192480 A1	10/2003	Bennett	

\* cited by examiner

*Primary Examiner*—Pamela Burgess

(74) *Attorney, Agent, or Firm*—Seth M. Reiss

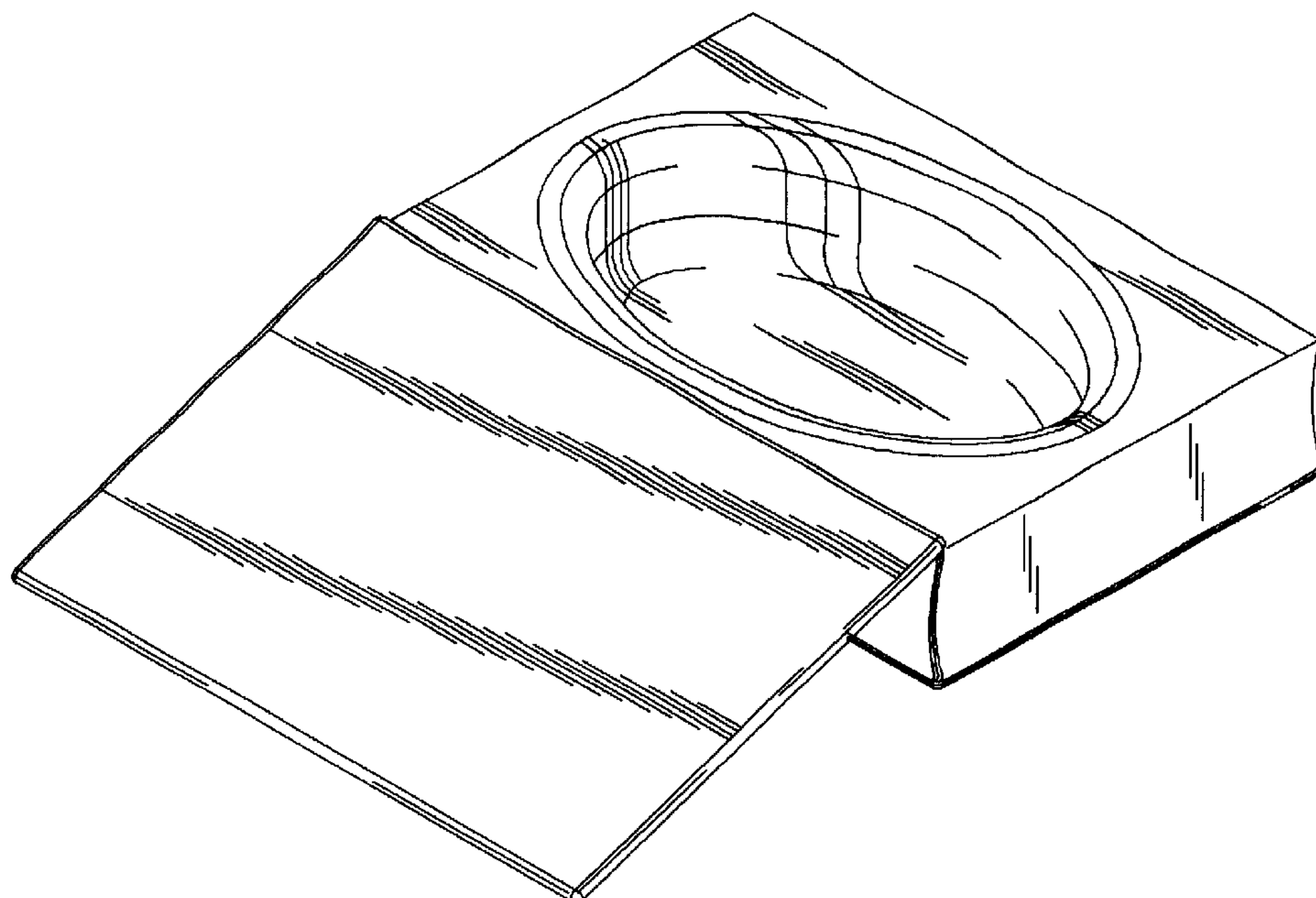
(57) **CLAIM**

I claim the ornamental design for a combined pet book toy and feeding dish, as shown and described.

**DESCRIPTION**

FIG. 1 is a top, left, front perspective view of a combined pet book toy and feeding dish showing my new design with the cover in an opened position;  
 FIG. 2 is a top, right, rear perspective view thereof;  
 FIG. 3 is a top plan view thereof;  
 FIG. 4 is a bottom plan view thereof;  
 FIG. 5 is a front elevational view thereof;  
 FIG. 6 is a rear elevational view thereof;  
 FIG. 7 is a left side elevational view thereof;  
 FIG. 8 is a right side elevational view thereof; and,  
 FIG. 9 is a top, left, front perspective view thereof in an alternate, closed position.

**1 Claim, 4 Drawing Sheets**



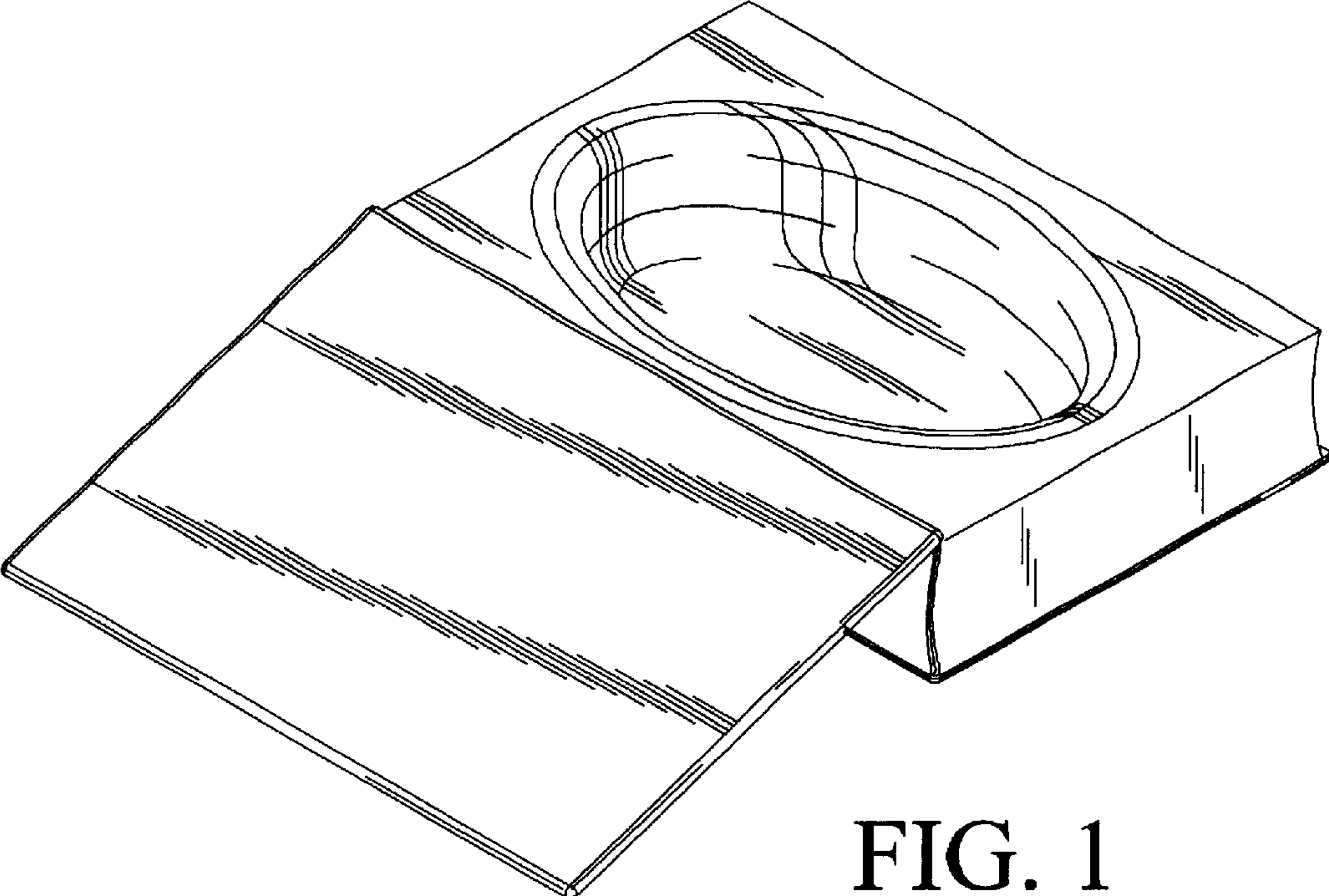


FIG. 1

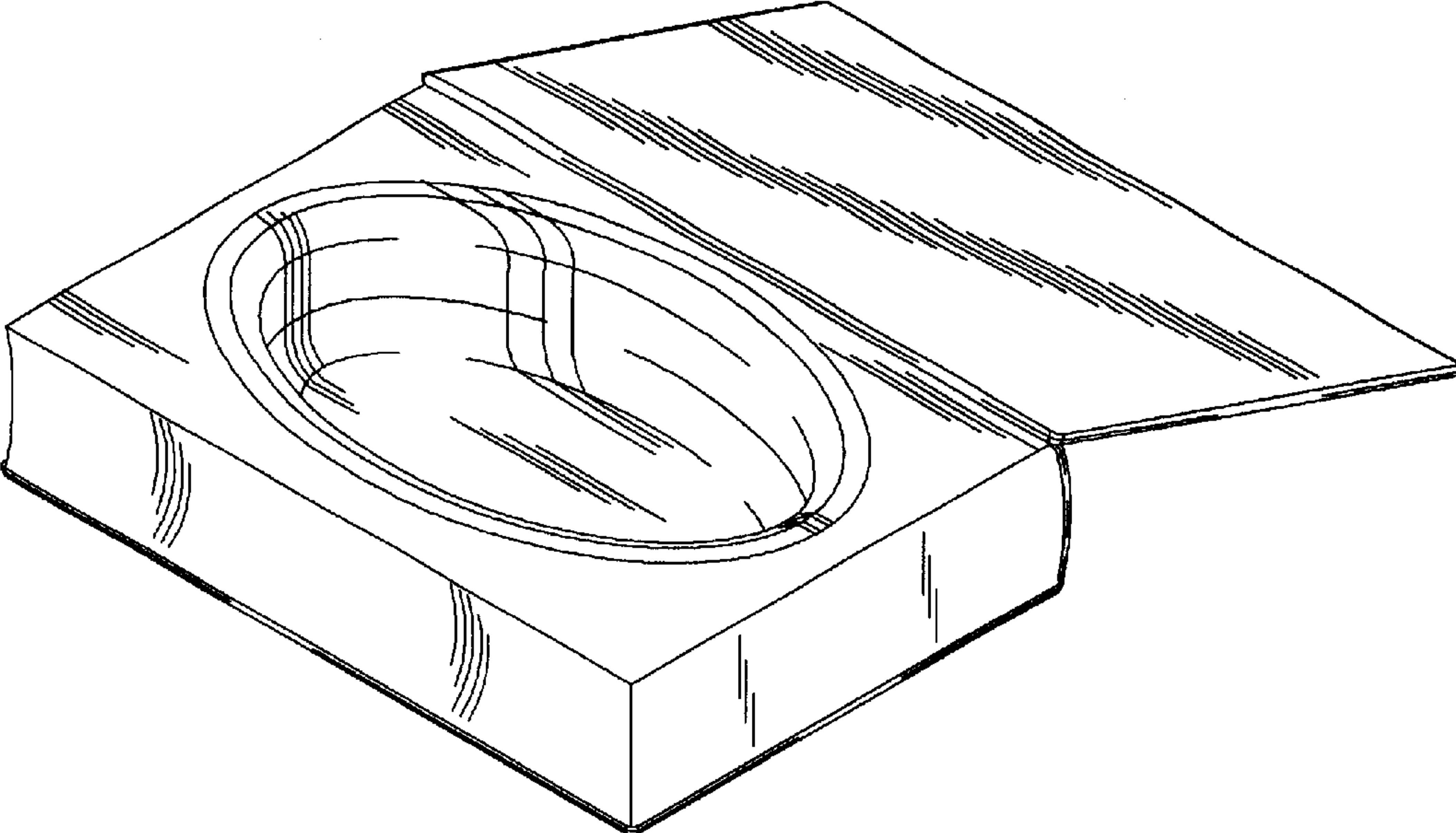


FIG. 2

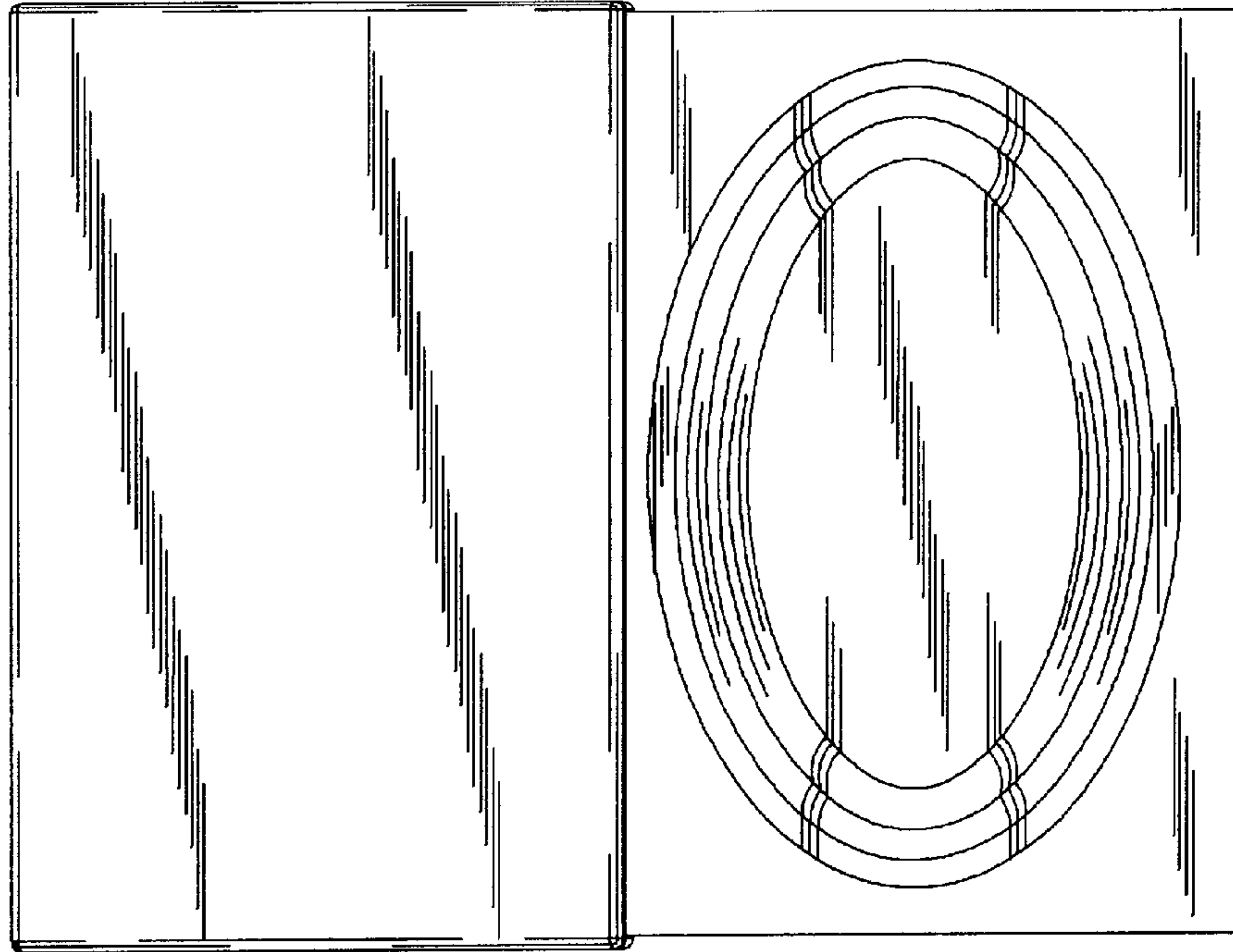


FIG. 3

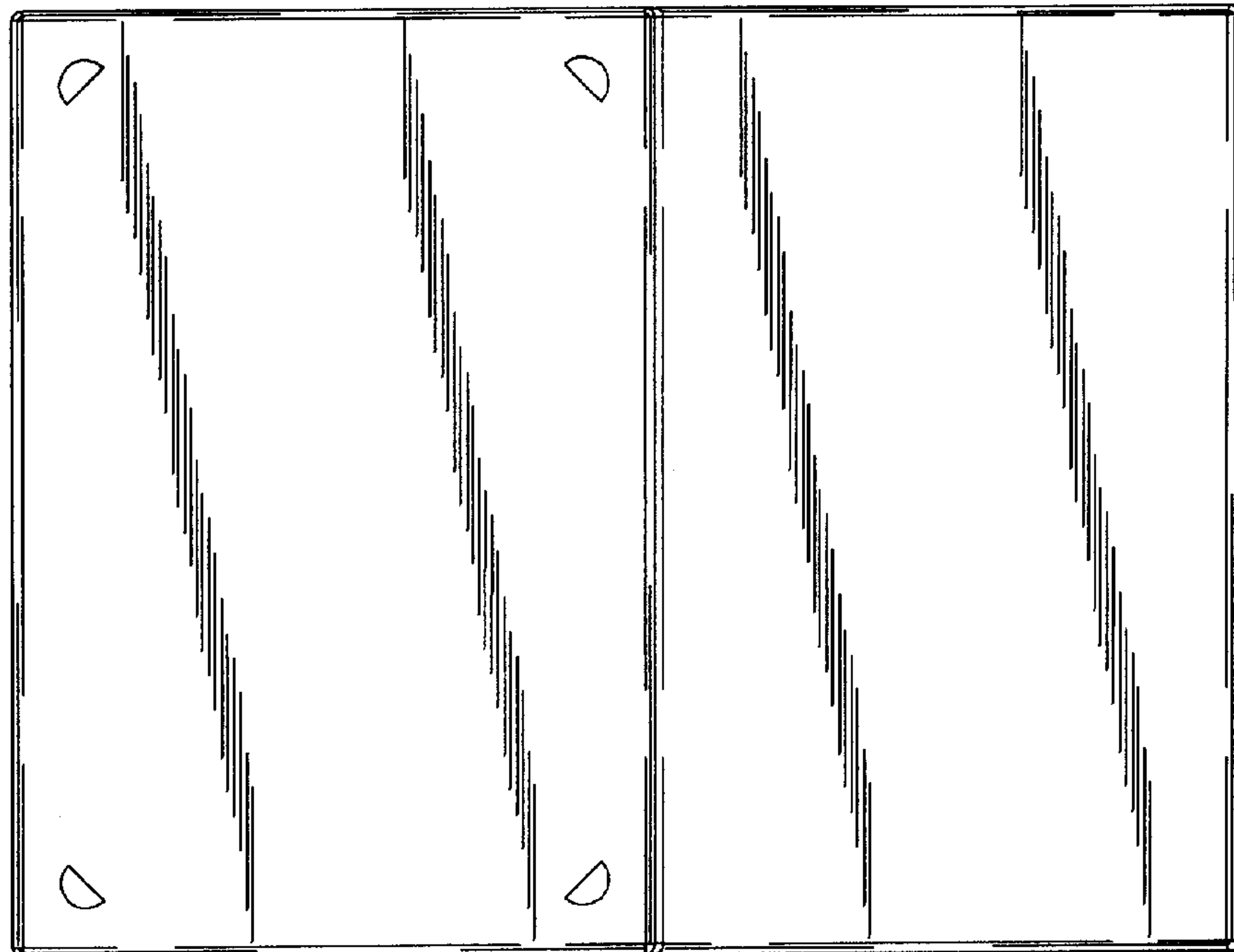


FIG. 4

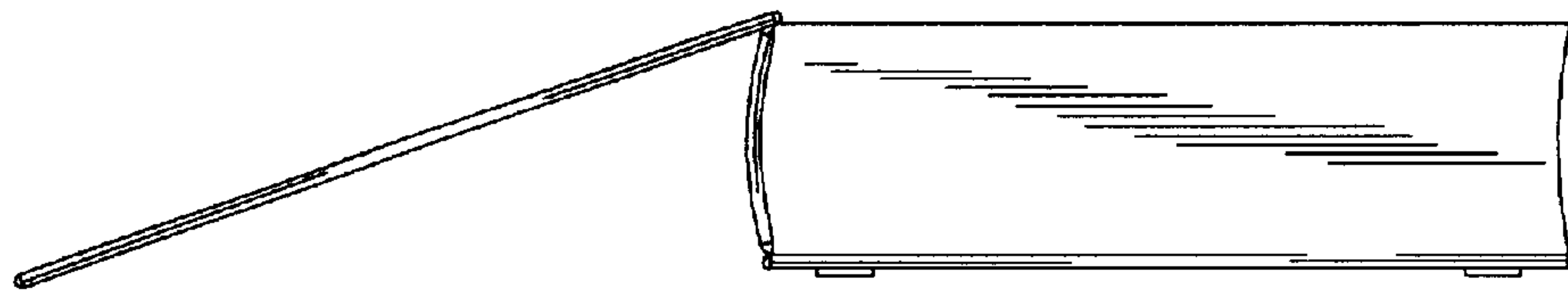


FIG. 5

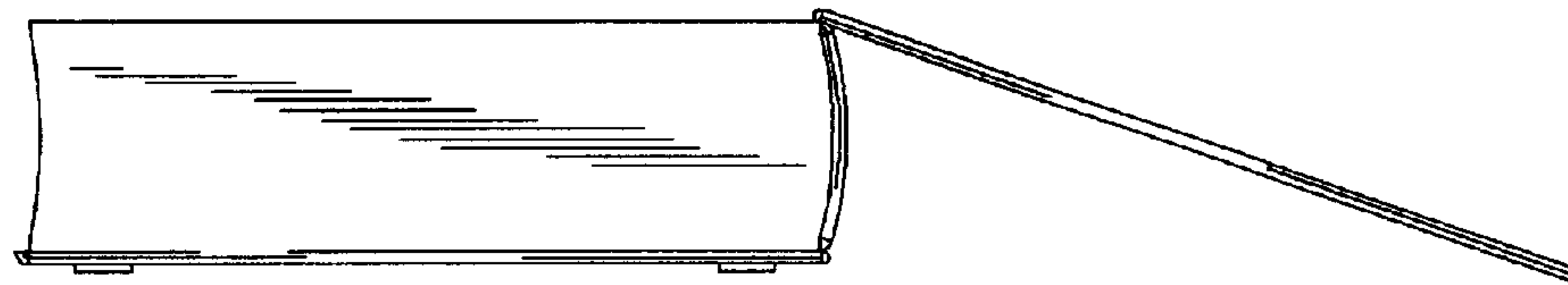


FIG. 6

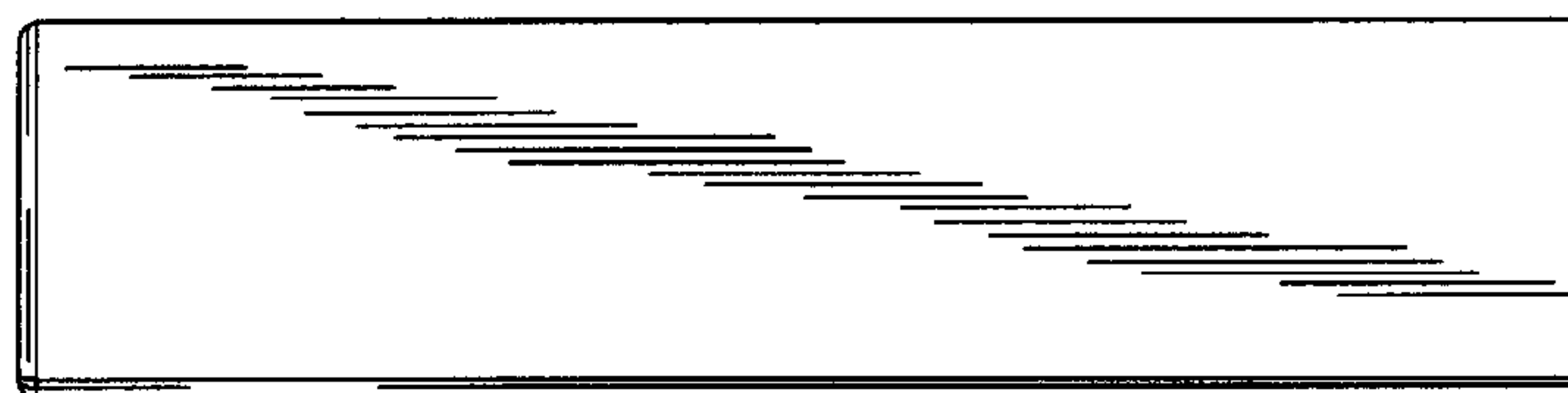


FIG. 7

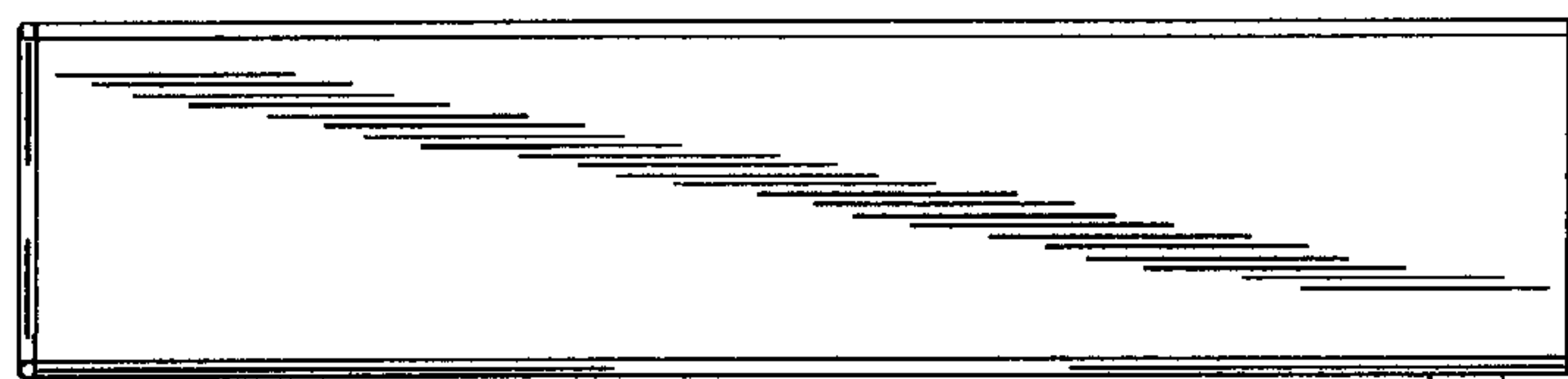


FIG. 8



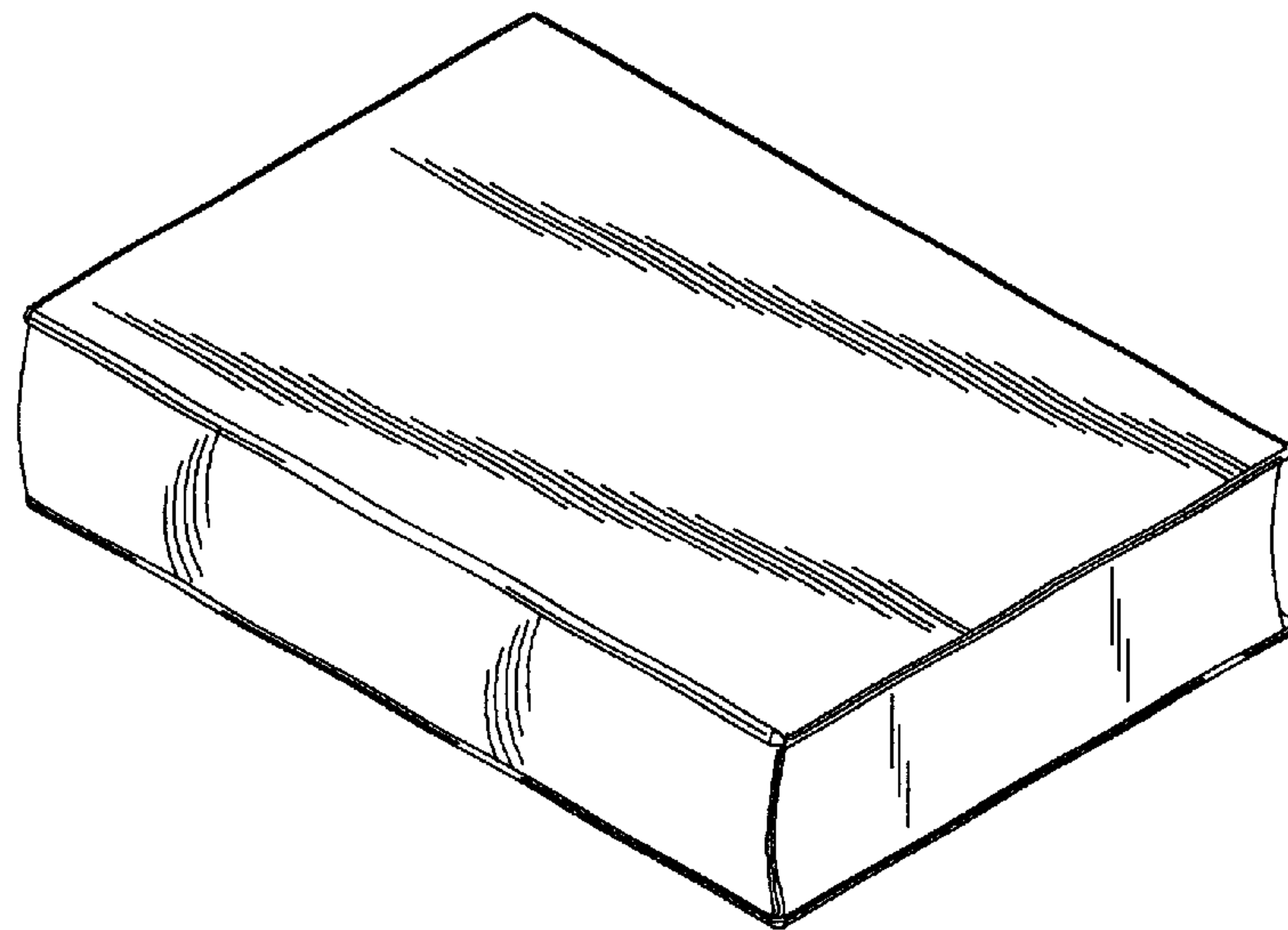


FIG. 9