

US00D506850S

(12) **United States Design Patent**  
**Angeletta**

(10) **Patent No.: US D506,850 S**  
(45) **Date of Patent: \*\* Jun. 28, 2005**

(54) **REPLACEABLE APPLICATOR PORTION  
FOR A LIQUID AND LOTION APPLICATOR**

(76) Inventor: **Joseph G. Angeletta**, 418 Fifth St.,  
Mamaroneck, NY (US) 10543

(\*\*) Term: **14 Years**

(21) Appl. No.: **29/159,901**

(22) Filed: **Apr. 30, 2002**

(51) **LOC (8) Cl. .... 28-02**

(52) **U.S. Cl. .... D28/7**

(58) **Field of Search** ..... D28/7, 8, 63; D9/338,  
D9/436, 447, 440; D4/137, 100, 127, 102,  
114; 132/320, 317; 15/244.1-244.4, 104.94,  
28, 29, 180; D24/119; 401/202-207, 6,  
44, 137, 138, 139, 196, 197, 261, 263,  
262, 264, 265, 266, 270-275

(56) **References Cited**

**U.S. PATENT DOCUMENTS**

1,973,768 A \* 9/1934 Knapp ..... 601/107  
2,829,393 A \* 4/1958 Turcotte et al. .... 401/207  
3,240,966 A \* 3/1966 Thompson ..... 310/50  
4,131,966 A \* 1/1979 Gross ..... 15/28

4,322,920 A \* 4/1982 Wells ..... 451/342  
5,240,339 A \* 8/1993 DeForest et al. .... 401/207  
5,435,328 A \* 7/1995 Grohoske ..... 132/120  
6,116,798 A \* 9/2000 Chen et al. .... 401/42  
6,227,740 B1 \* 5/2001 Stear et al. .... 401/188 R  
6,491,463 B1 \* 12/2002 Richard ..... 401/6  
D471,667 S \* 3/2003 Angeletta ..... D28/7  
6,547,880 B1 \* 4/2003 Krueger et al. .... 118/264

\* cited by examiner

*Primary Examiner*—Lucy Lieberman

(74) *Attorney, Agent, or Firm*—Scully, Scott, Murphy &  
Presser

(57) **CLAIM**

The ornamental design for a replaceable applicator portion  
for a liquid and lotion applicator, as shown and described.

**DESCRIPTION**

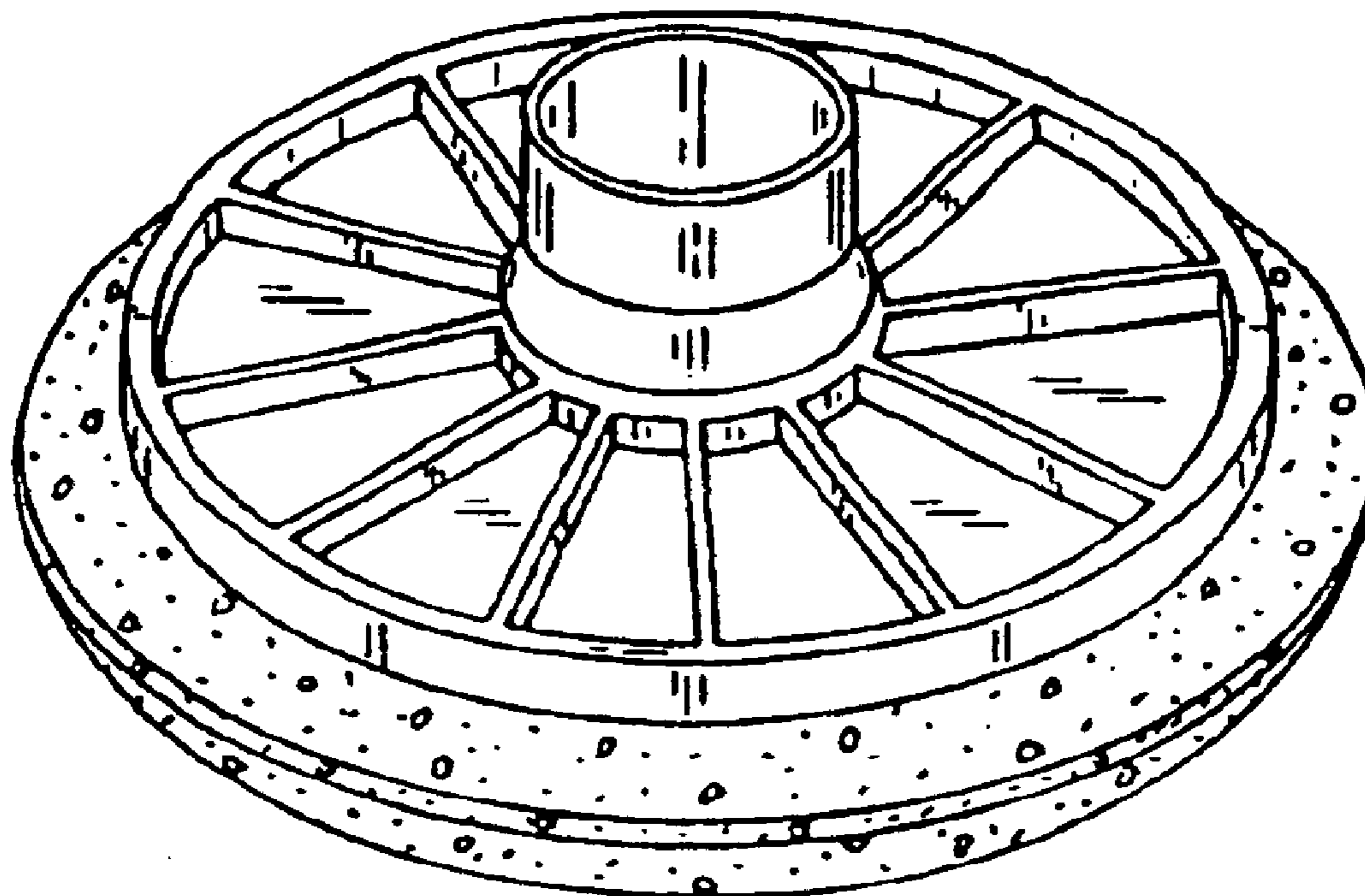
FIG. 1 illustrates a perspective side view of the replaceable  
applicator portion for a liquid and lotion showing my new  
and ornamental design;

FIG. 2 illustrates a bottom plan view thereof;

FIG. 3 illustrates a side view thereof; and,

FIG. 4 illustrates a top plan view thereof.

**1 Claim, 1 Drawing Sheet**



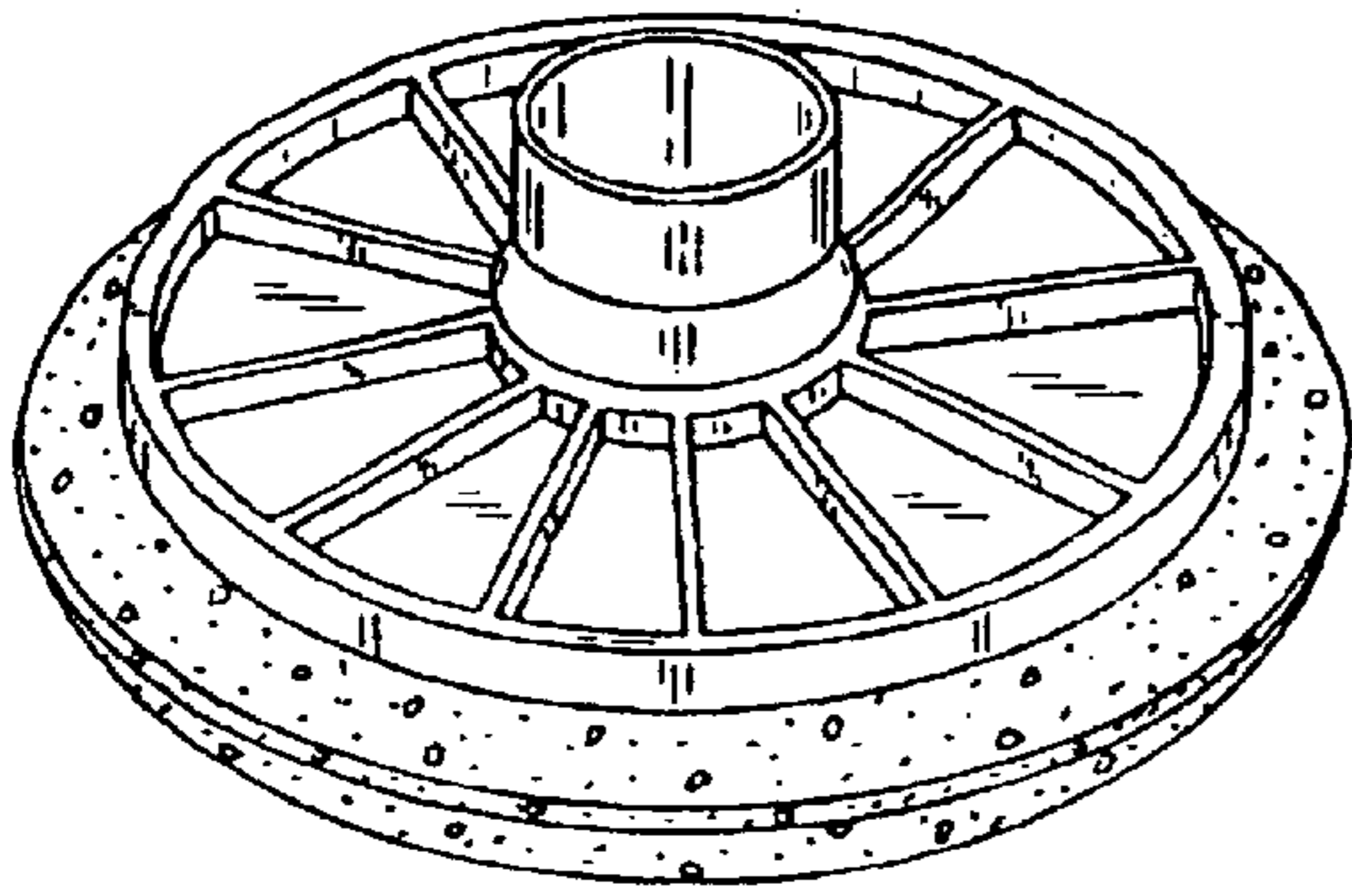


FIG. 1

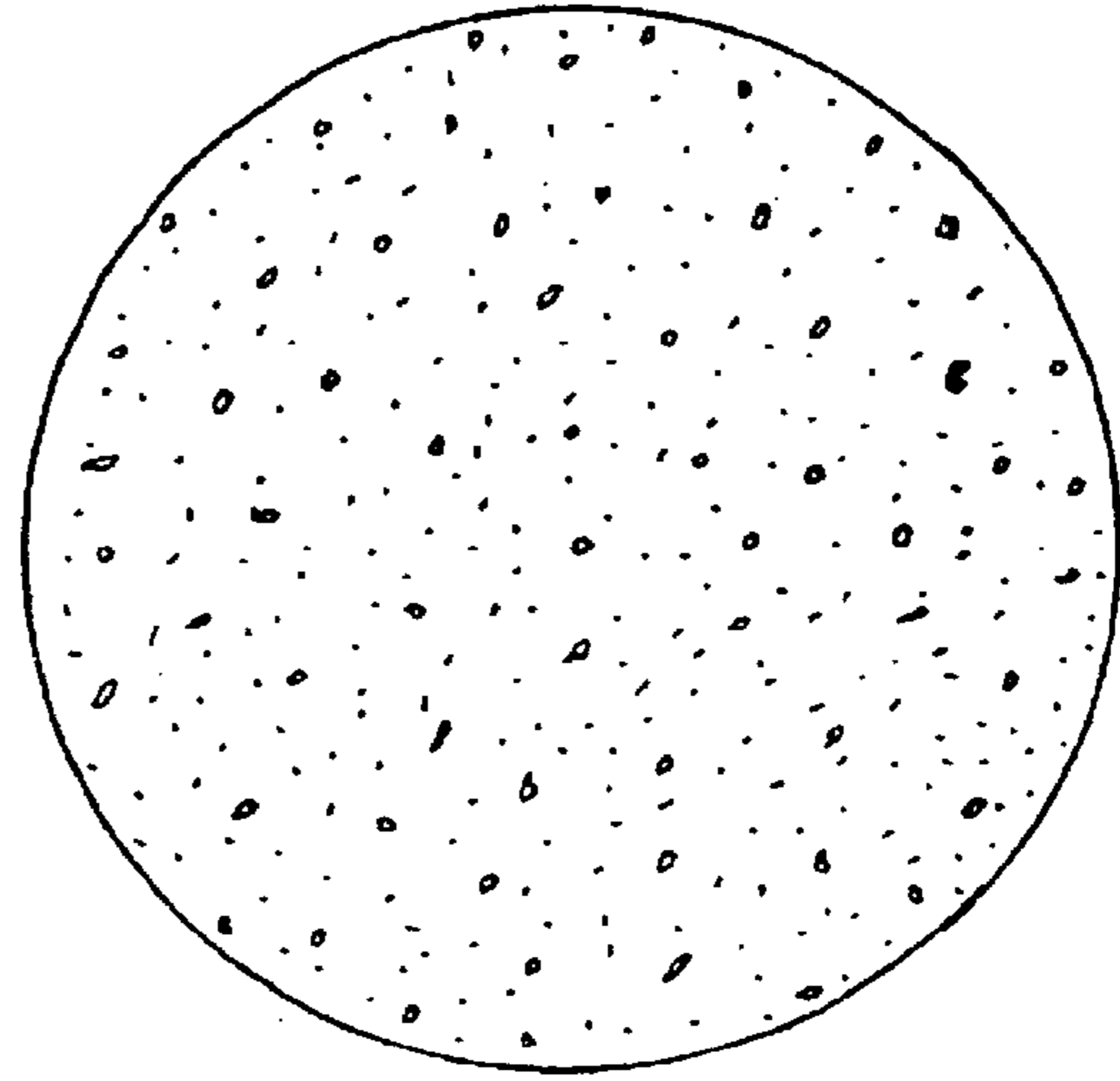


FIG. 2

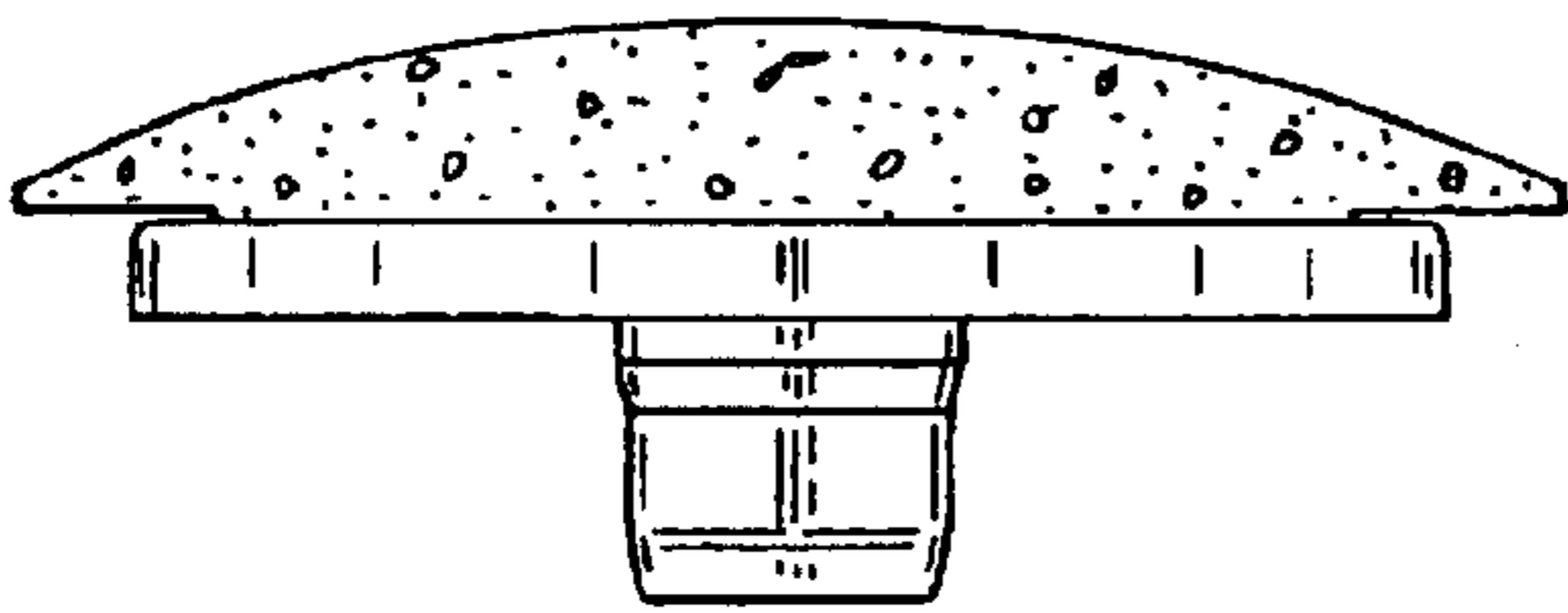


FIG. 3

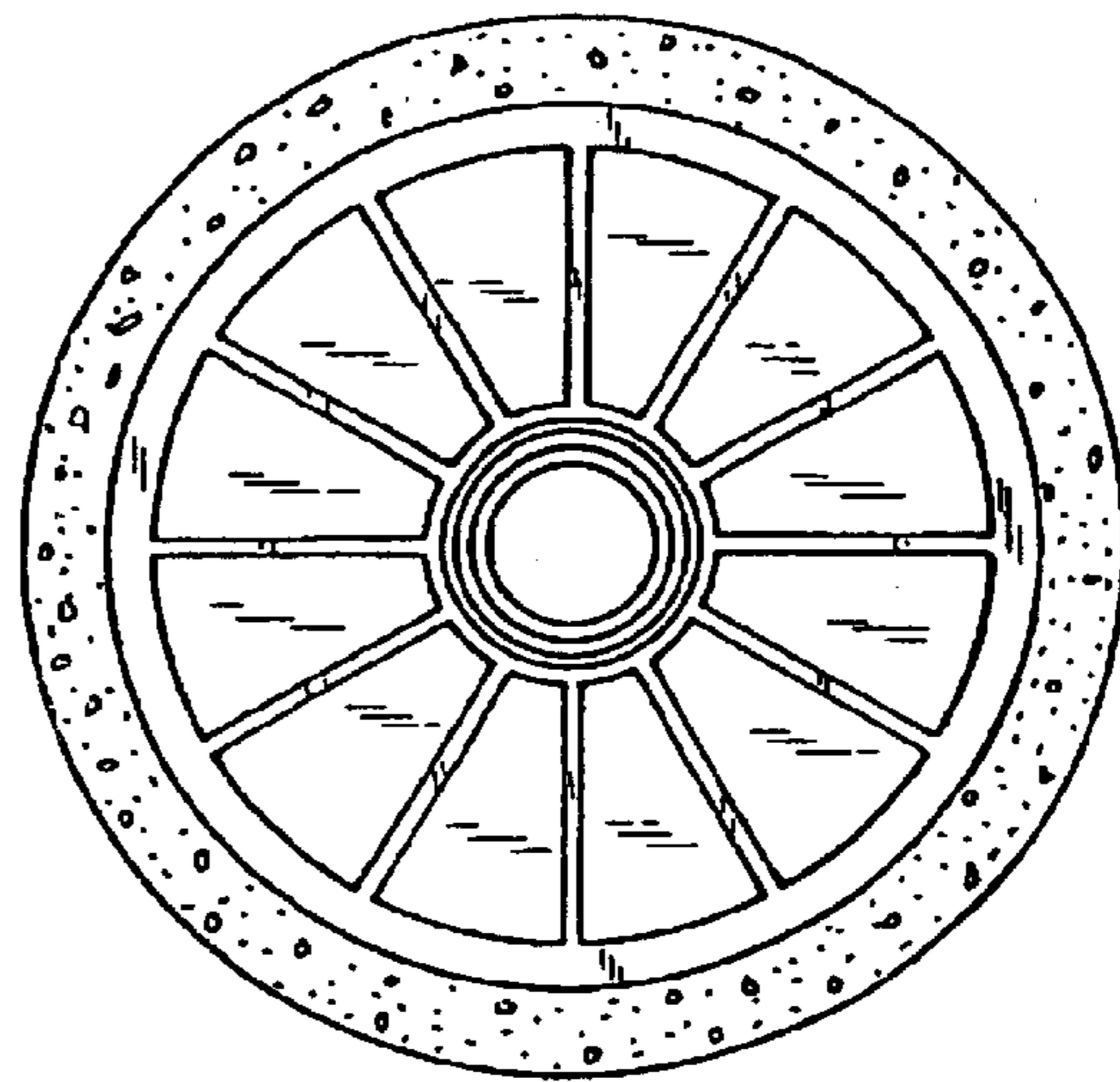


FIG. 4