

US00D506849S

(12) **United States Design Patent**  
**Parres**

(10) **Patent No.:** **US D506,849 S**  
(45) **Date of Patent:** **\*\* Jun. 28, 2005**

- (54) **LIGHTING FIXTURE SUPPORT**
- (75) Inventor: **Miguel Parres**, Alta Loma, CA (US)
- (73) Assignee: **Minka Lighting, Inc.**, Corona, CA (US)
- (\*\*) Term: **14 Years**
- (21) Appl. No.: **29/190,990**
- (22) Filed: **Sep. 29, 2003**
- (51) **LOC (8) Cl.** ..... **26-99**
- (52) **U.S. Cl.** ..... **D26/145; D26/155**
- (58) **Field of Search** ..... **D26/72, 80, 92, D26/85-87, 145, 155; 362/147, 432, 404-408, 433**

(56) **References Cited**

**U.S. PATENT DOCUMENTS**

D50,861 S	*	6/1917	Adam	.....	D26/87
D367,335 S	*	2/1996	Kay	.....	D26/92
D465,595 S	*	11/2002	Hoernig	.....	D26/80
D494,702 S	*	8/2004	Parres	.....	D26/85

**OTHER PUBLICATIONS**

- U.S. Appl. No. 29/190,992, Sep. 29, 2003, Miguel Parres.
- U.S. Appl. No. 29/191,024, Sep. 29, 2003, Miguel Parres.
- U.S. Appl. No. 29/191,031, Sep. 29, 2003, Miguel Parres.
- U.S. Appl. No. 29/191,038, Sep. 29, 2003, Miguel Parres.
- Wall Mount bath 3Lt Incandescent, Oct. 2003, Kichler, Inc.

- 4 Light Cobalt Chandelier, Oct. 2003, Kichler, Inc.
- 3 Light Cobalt Bath Fixture, Oct. 2003, Kichler, Inc.

\* cited by examiner

*Primary Examiner*—Clare E Heflin

(74) *Attorney, Agent, or Firm*—Baker & McKenzie, LLP

(57) **CLAIM**

The ornamental design for the lighting fixture support, as shown and described.

**DESCRIPTION**

FIG. 1 is a perspective view from above of a lighting fixture support in accordance with my design, shown in its environment;

FIG. 2 is a perspective view from below of the lighting fixture support in accordance with my design, shown in its environment;

FIG. 3 is a side elevation view of the lighting fixture support in accordance with my design, shown in its environment;

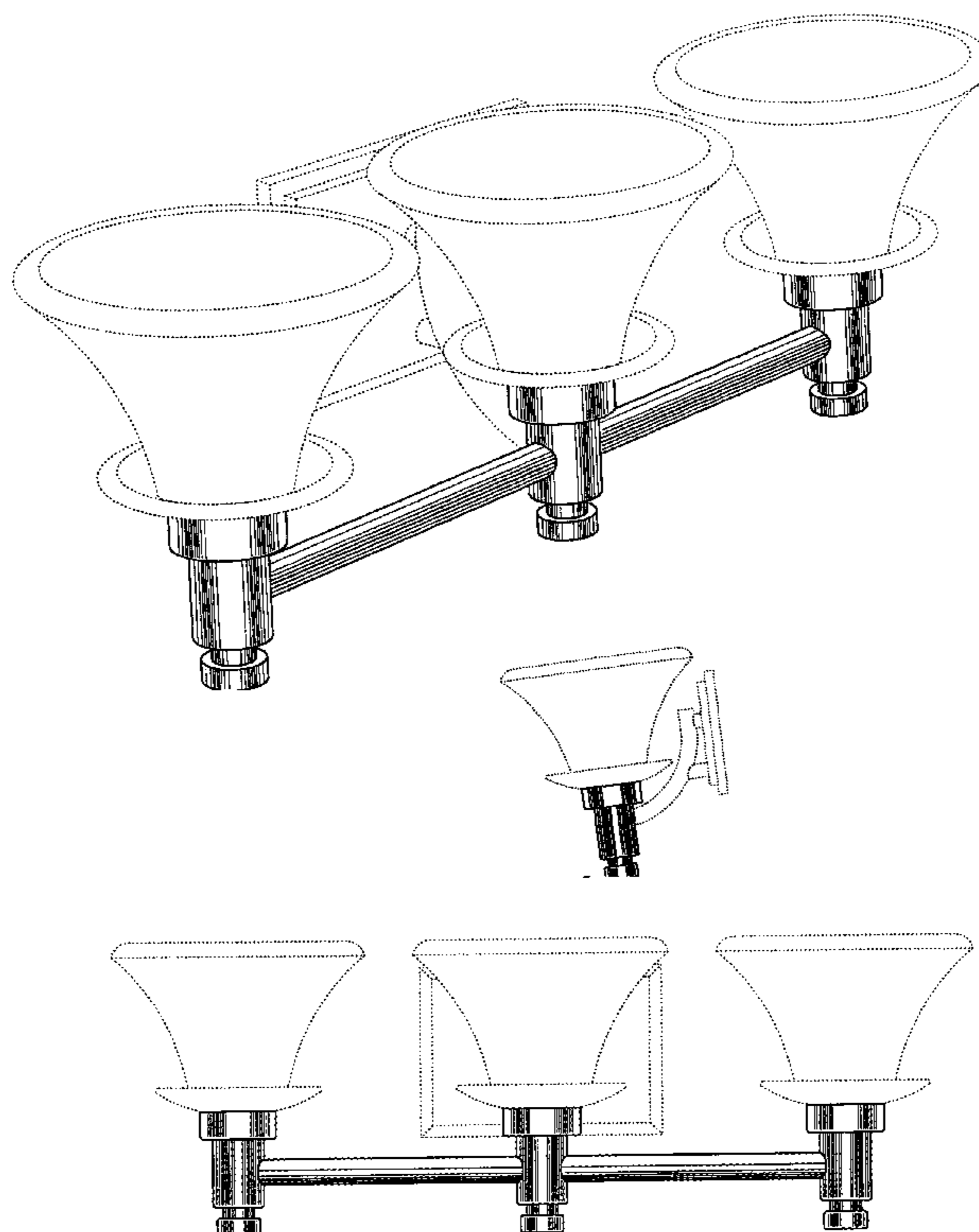
FIG. 4 is a front elevation view of the lighting fixture support in accordance with my design, shown in its environment;

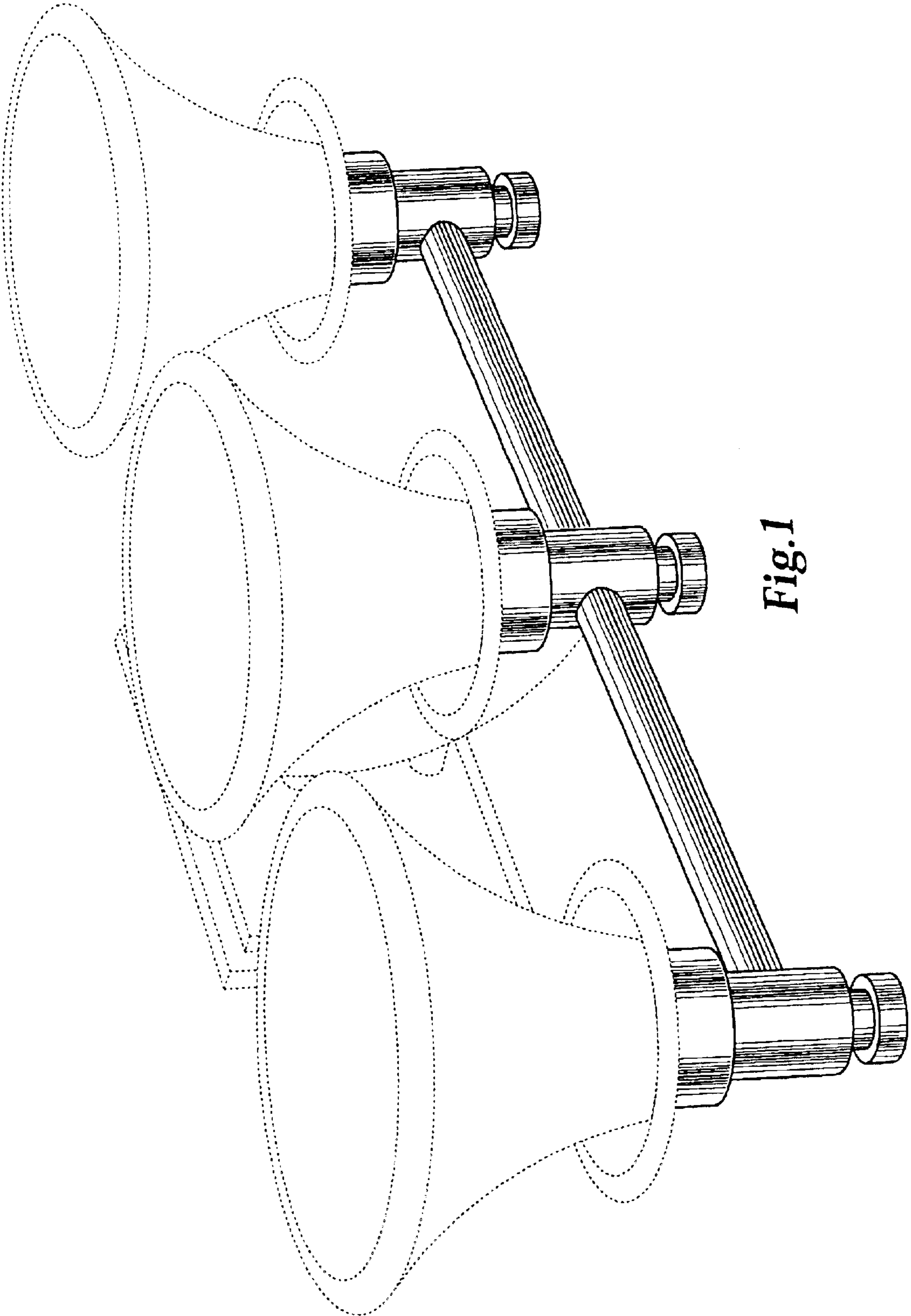
FIG. 5 is a bottom plan view of the lighting fixture support in accordance with my design, shown in its environment; and,

FIG. 6 is a top plan view of the lighting fixture support in accordance with my design, shown in its environment.

The broken lines showing environmental structure are for illustrative purposes and form no part of the claimed design.

**1 Claim, 4 Drawing Sheets**





**Fig. 1**

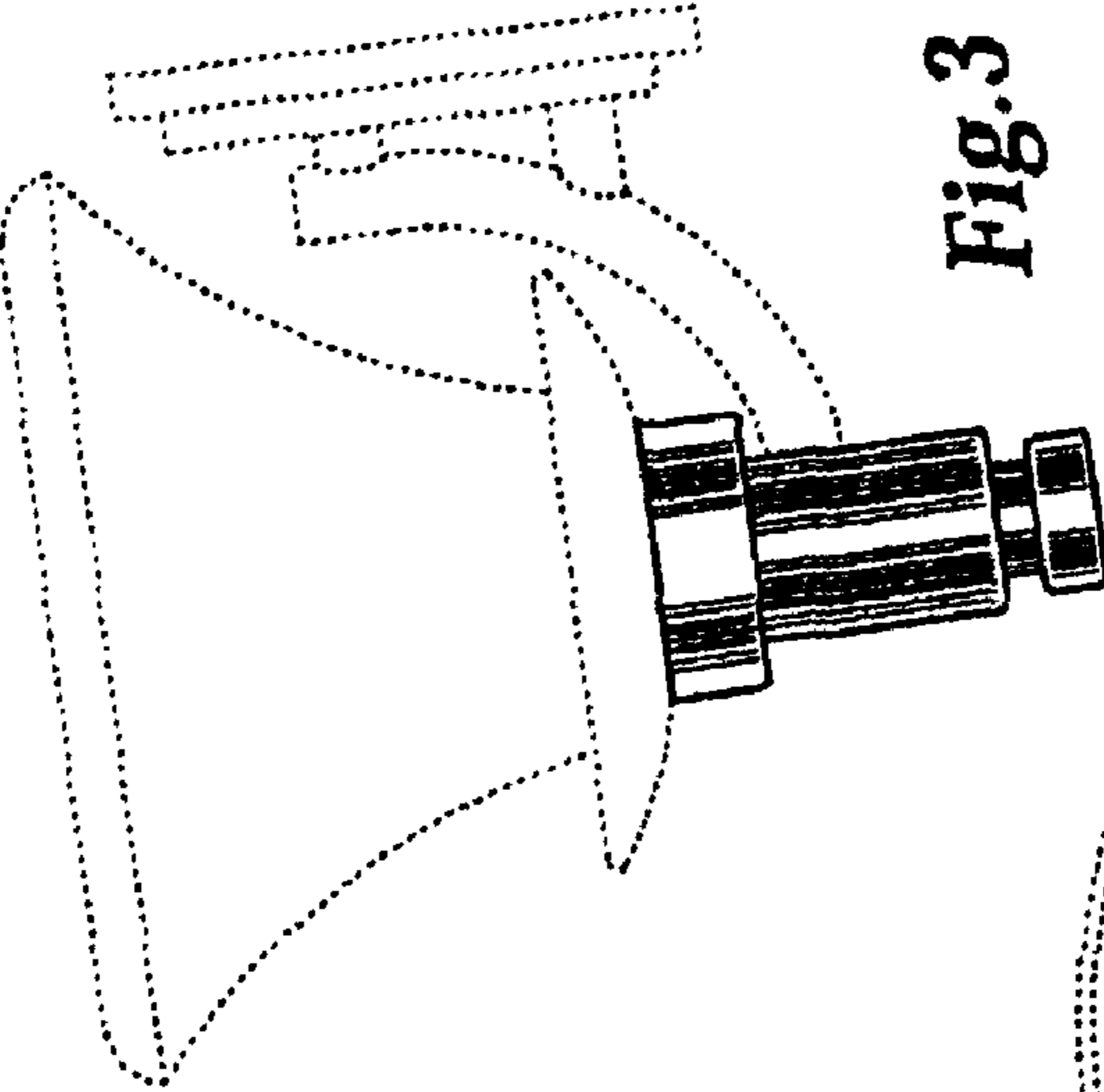


Fig.3

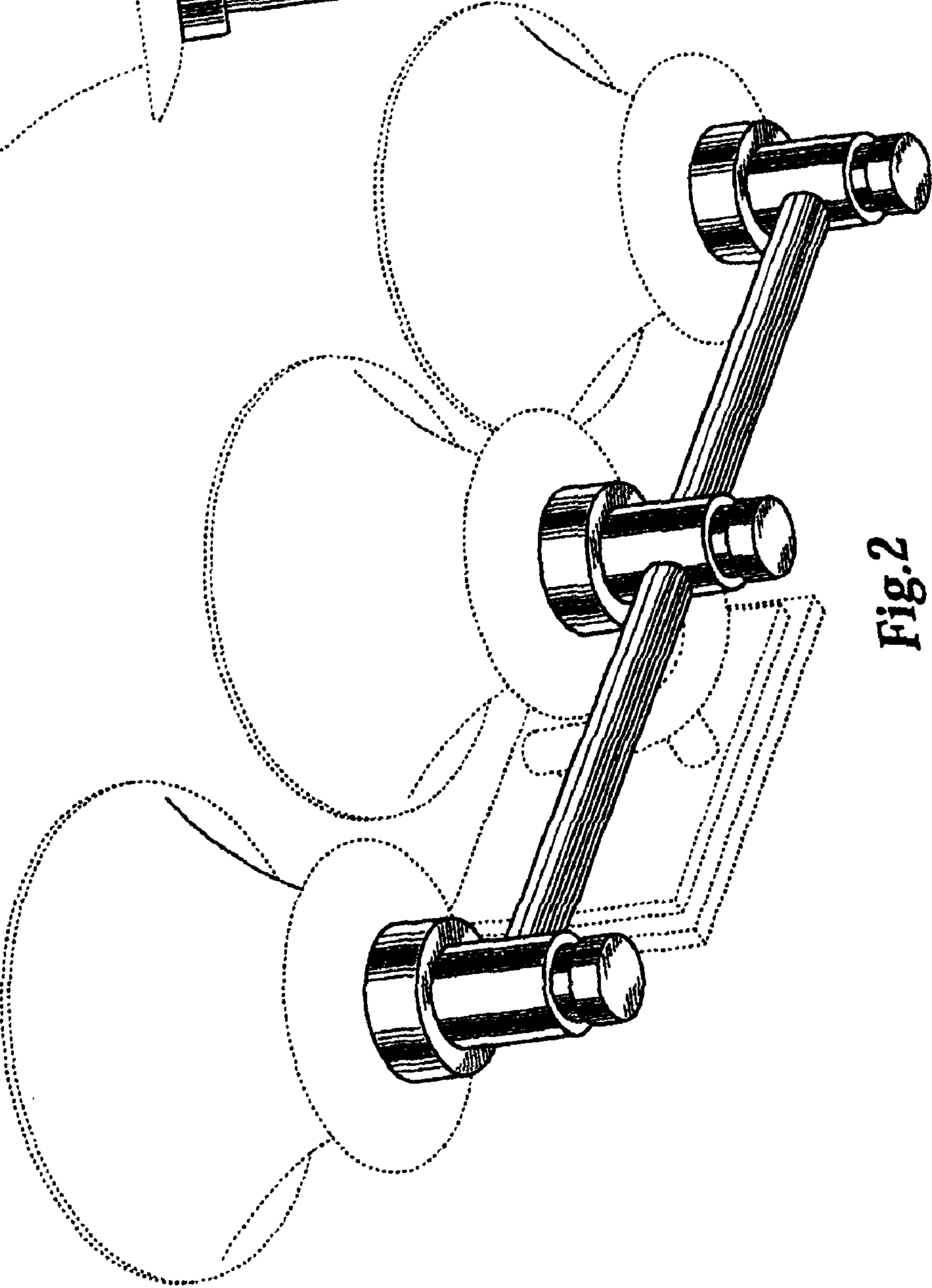
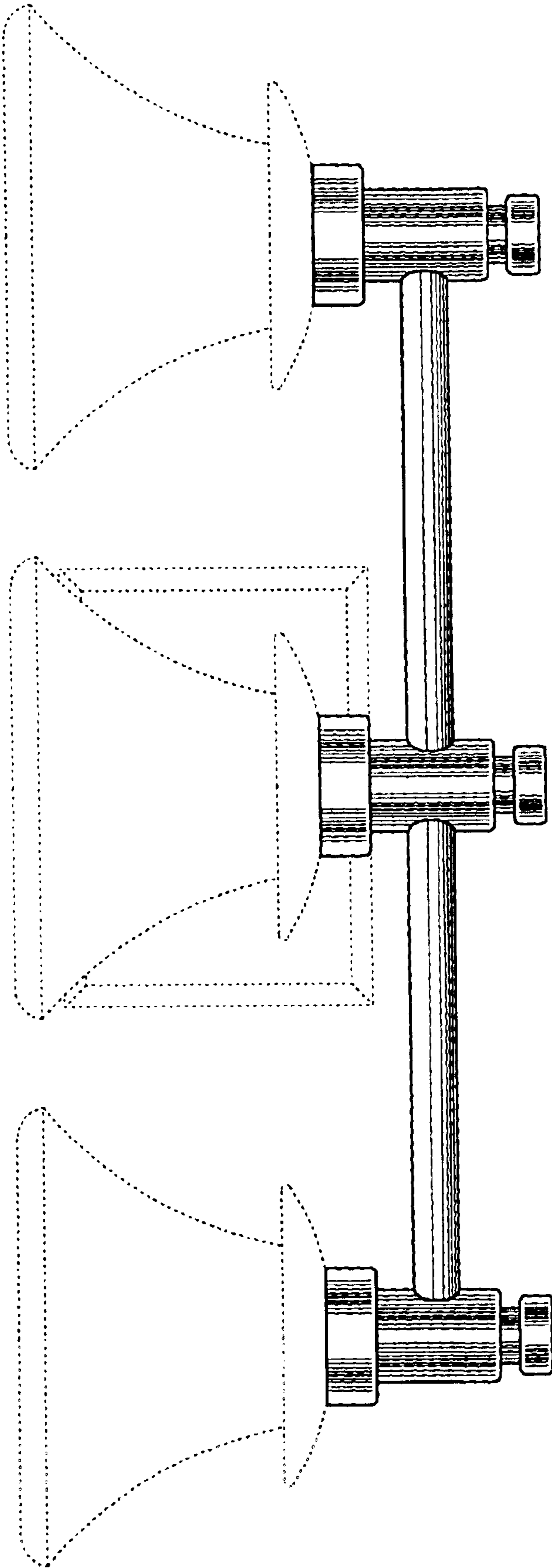


Fig.2



*Fig. 4*

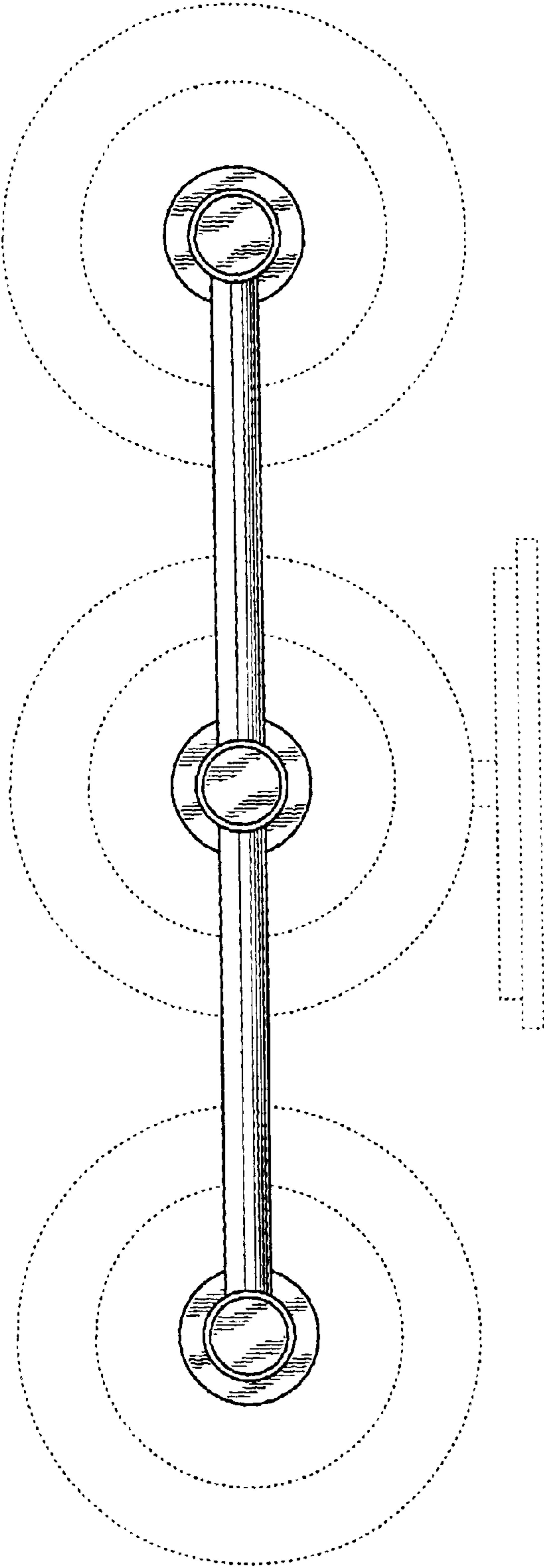


Fig. 5

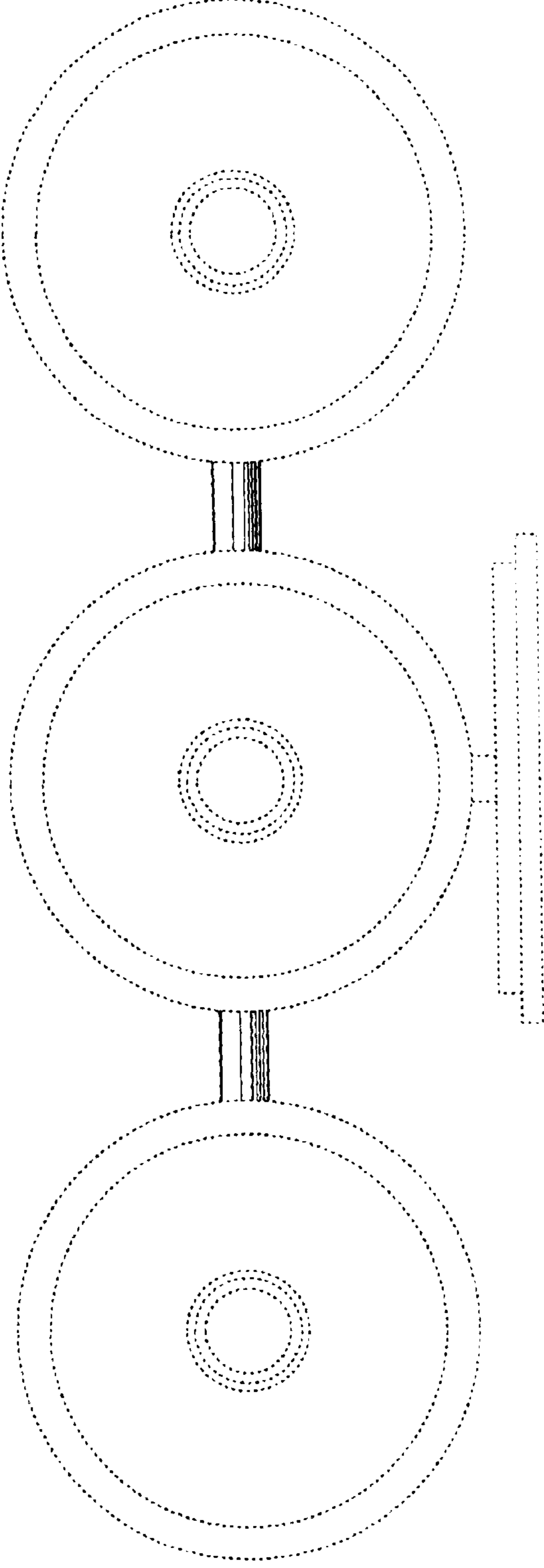


Fig. 6