



US00D506847S

(12) **United States Design Patent**
Hussaini et al.

(10) **Patent No.:** **US D506,847 S**
(45) **Date of Patent:** **** Jun. 28, 2005**

(54) **SPOT LIGHT**

(75) Inventors: **Saied Hussaini**, Miami, FL (US); **Marc Iacovelli**, Miami, FL (US)

(73) Assignee: **Rally Manufacturing, Inc.**, Miami, FL (US)

(**) Term: **14 Years**

(21) Appl. No.: **29/209,773**

(22) Filed: **Jul. 21, 2004**

(51) **LOC (8) Cl.** **26-02**

(52) **U.S. Cl.** **D26/46**

(58) **Field of Search** D26/37-50; 362/157,
362/158, 171-174, 183-208

(56) **References Cited**

U.S. PATENT DOCUMENTS

D428,176 S * 7/2000 Bamber et al. D26/46
D437,434 S * 2/2001 Zeller D26/46

* cited by examiner

Primary Examiner—Marcus A. Jackson

(74) *Attorney, Agent, or Firm*—Liniak, Berenato & White

(57) **CLAIM**

The ornamental design for a spot light, as shown and described.

DESCRIPTION

FIG. 1 is a front, top and left perspective view of the spot light according to the present invention, with the broken line showing for illustrative purposes only and forming no part of the claimed design.

FIG. 2 is a front view of the spot light of FIG. 1.

FIG. 3 is a rear view of the spot light of FIG. 1.

FIG. 4 is a left side view of the spot light of FIG. 1.

FIG. 5 is a right view of the spot light of FIG. 1.

FIG. 6 is a top view of the spot light of FIG. 1.

FIG. 7 is a bottom view of the spot light of FIG. 1; and,

FIG. 8 is a left side view of the spot light of FIG. 1 with the pivoting light shown in a pivoted position.

1 Claim, 8 Drawing Sheets

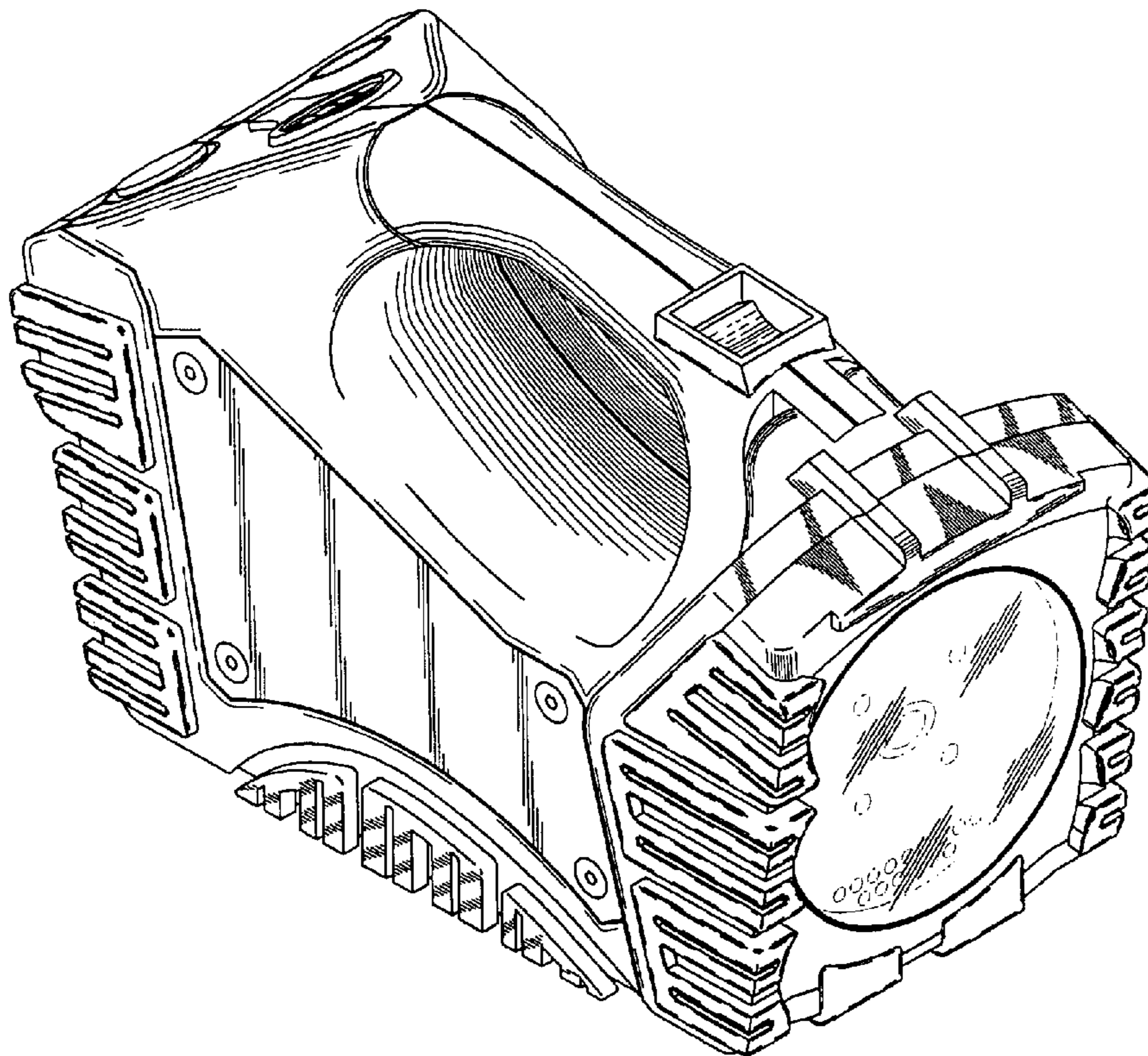


Fig. 1

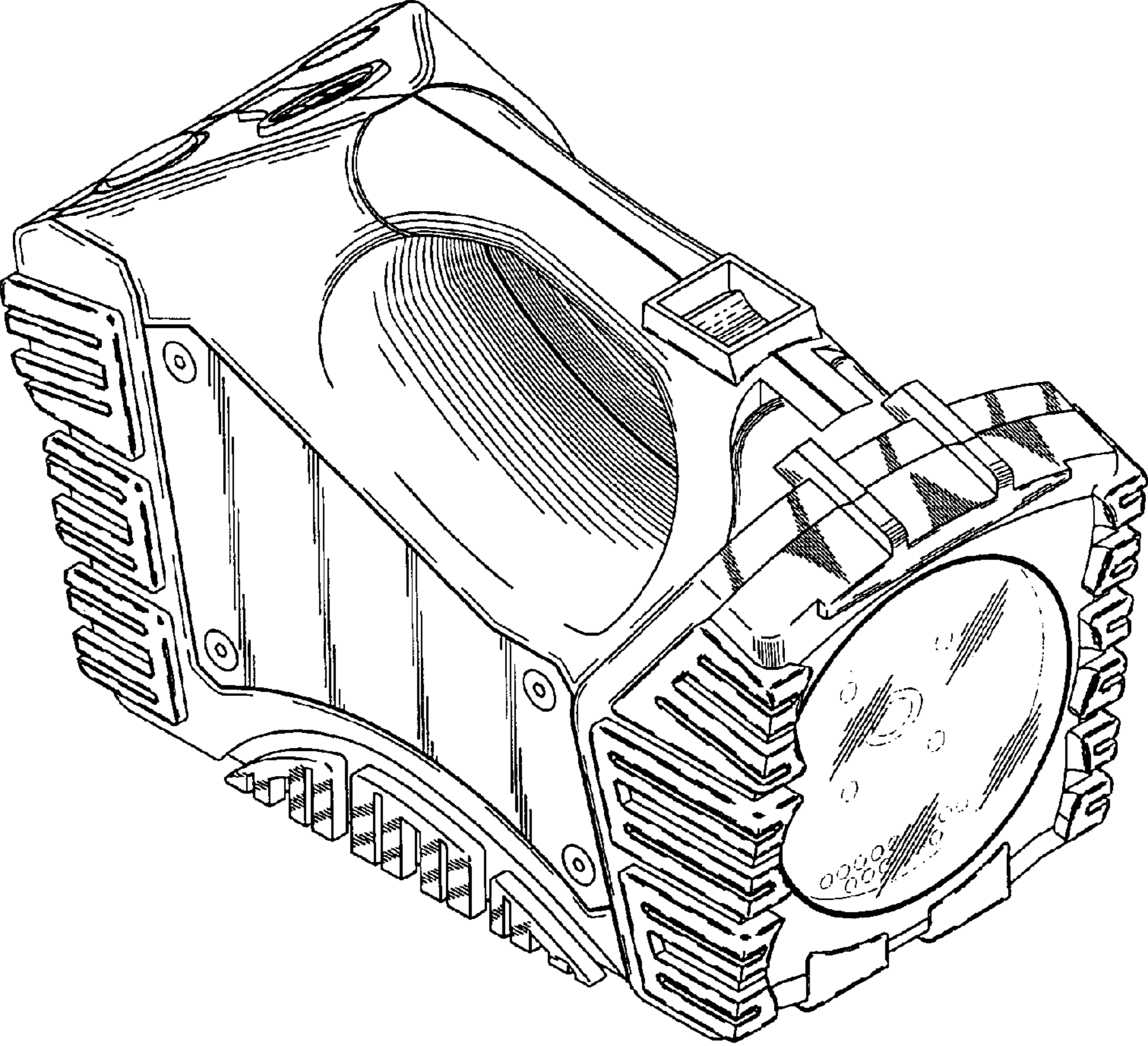


Fig. 2

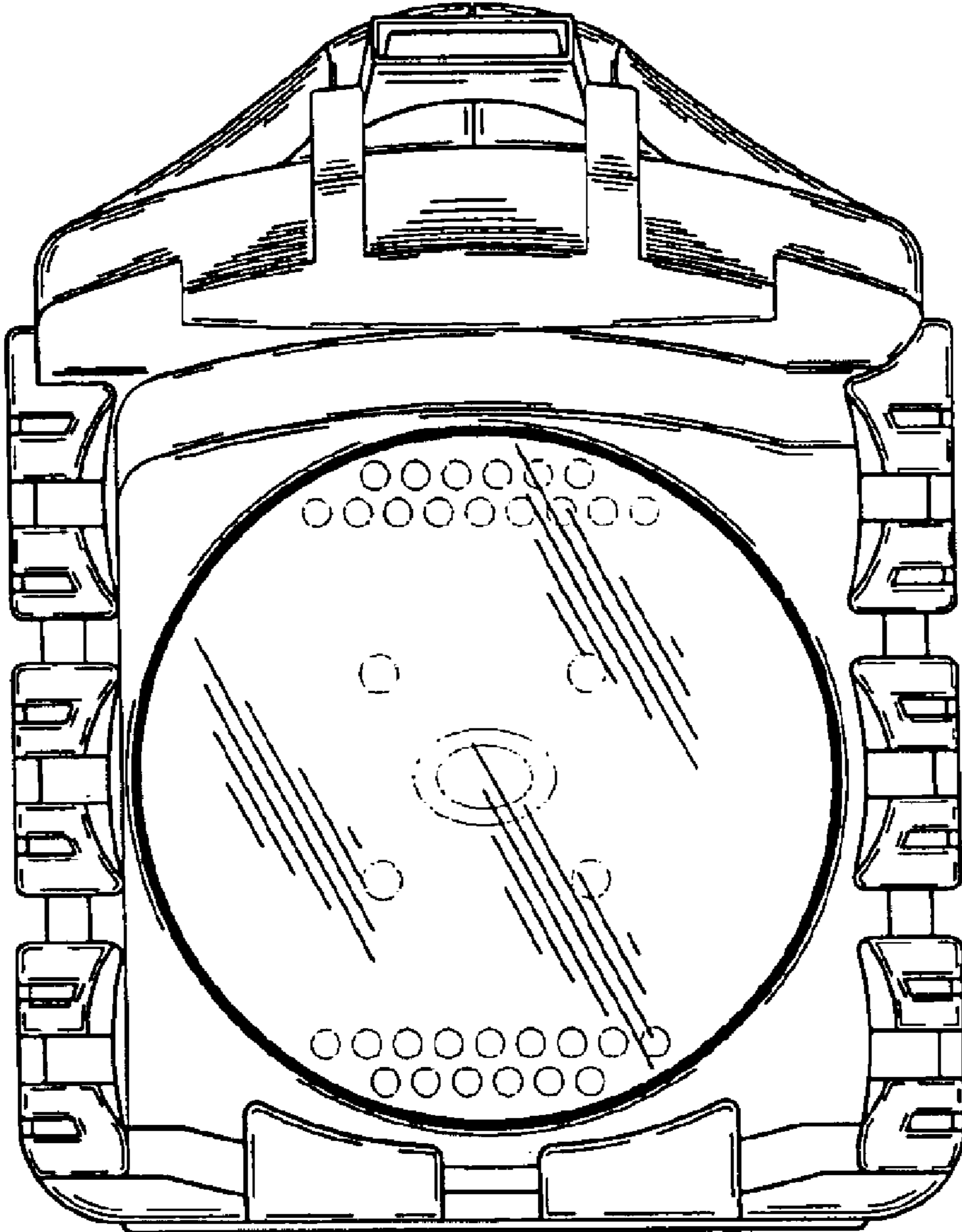


Fig. 3

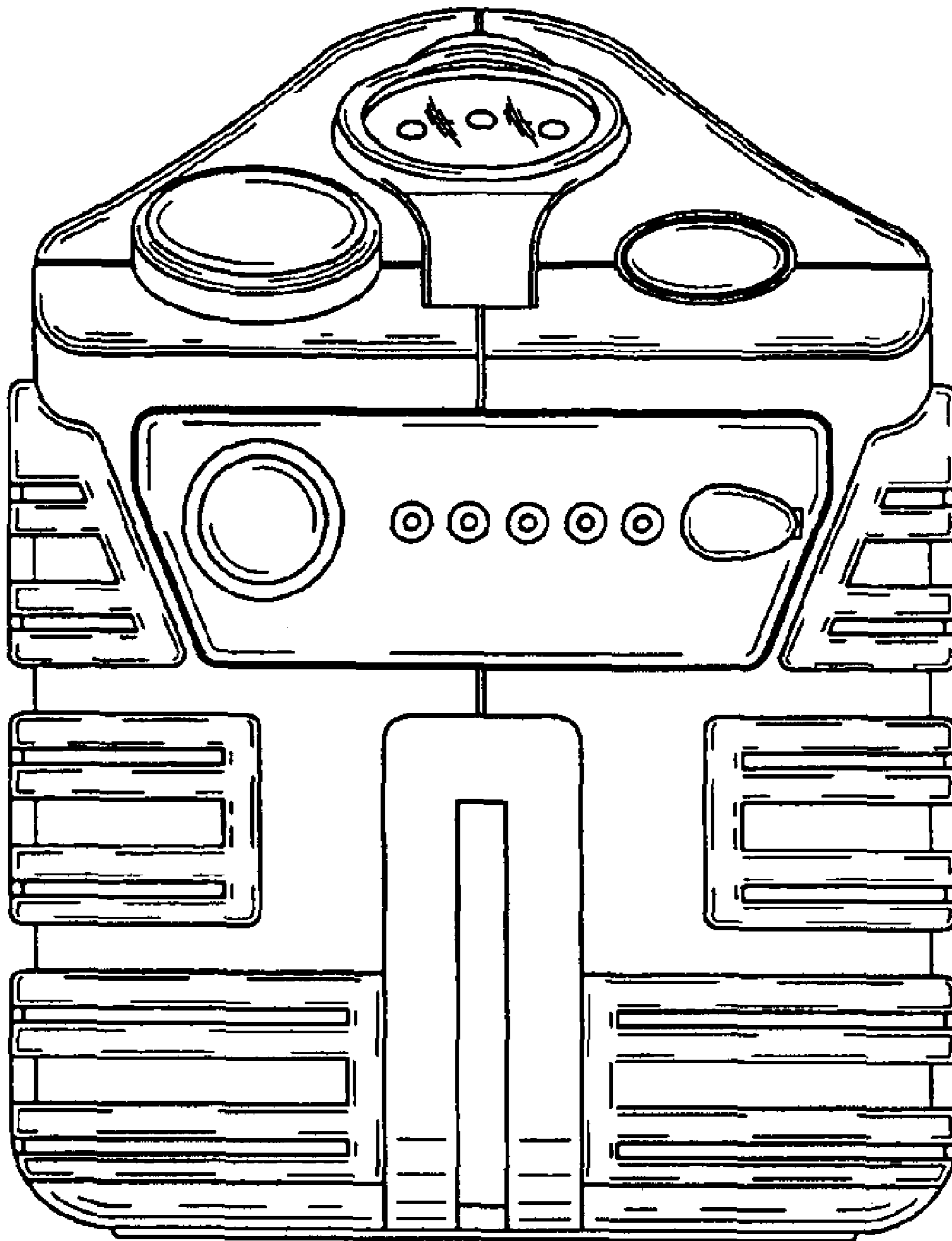


Fig. 4

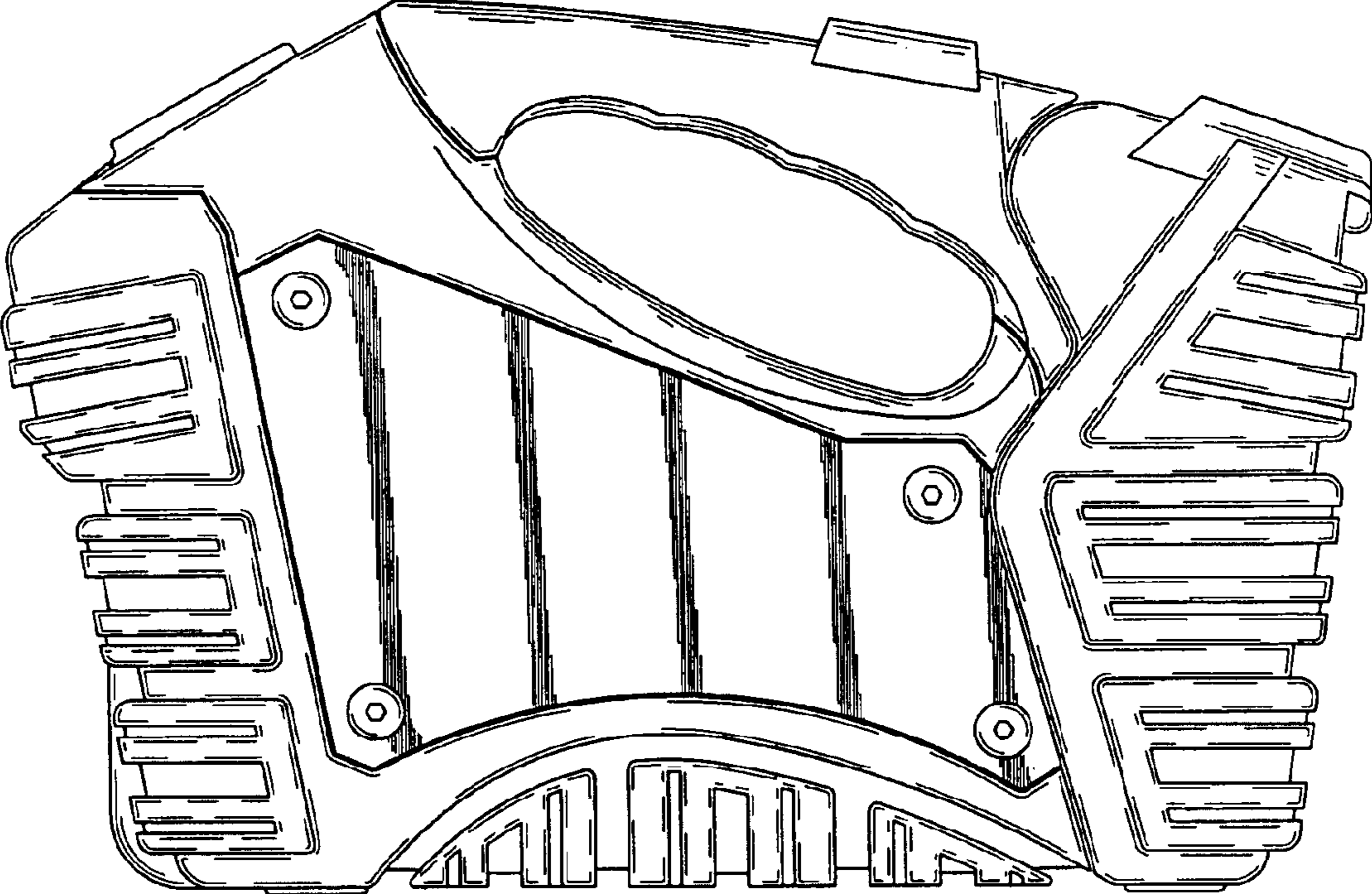


Fig. 5

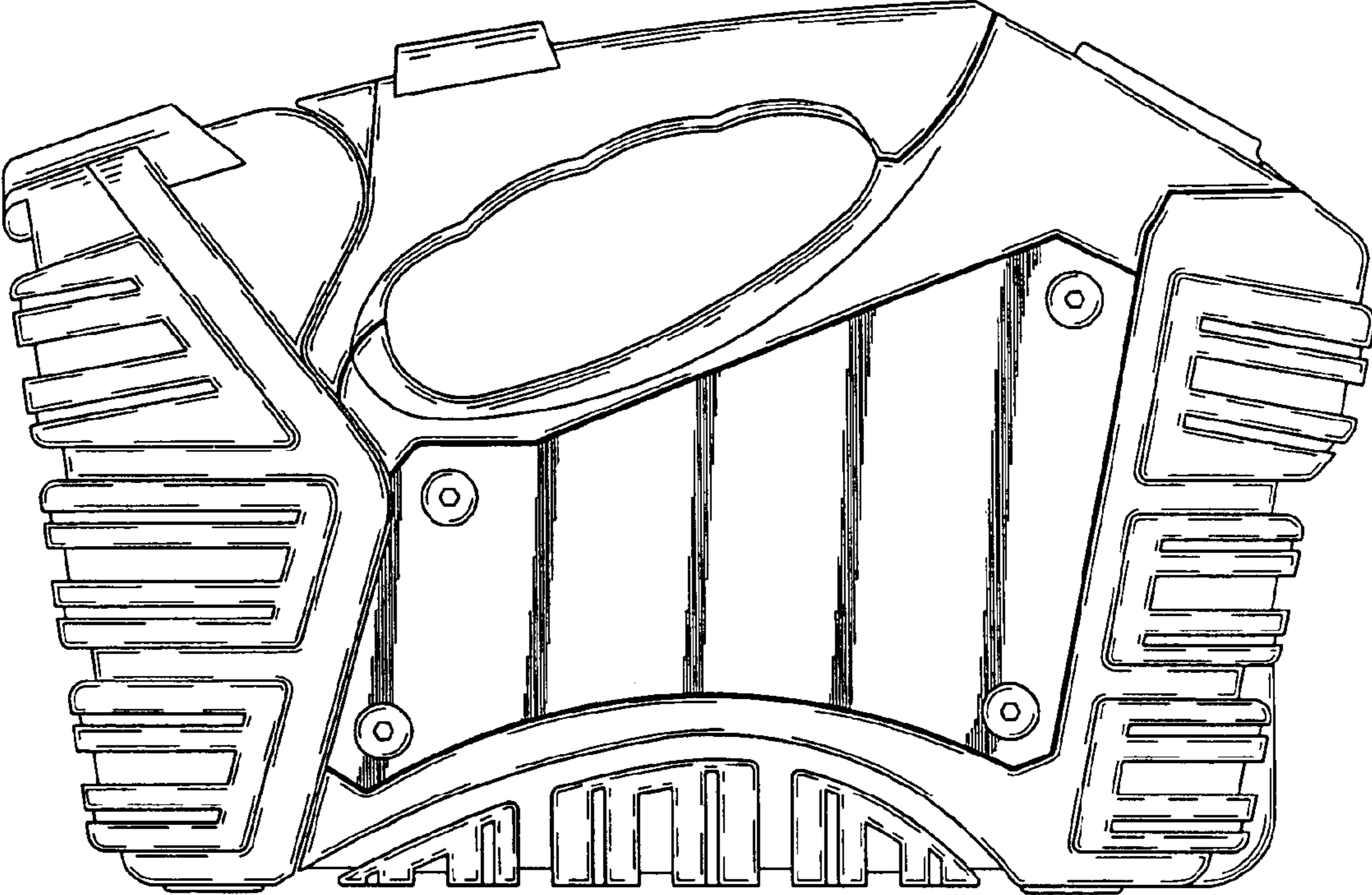


Fig. 6

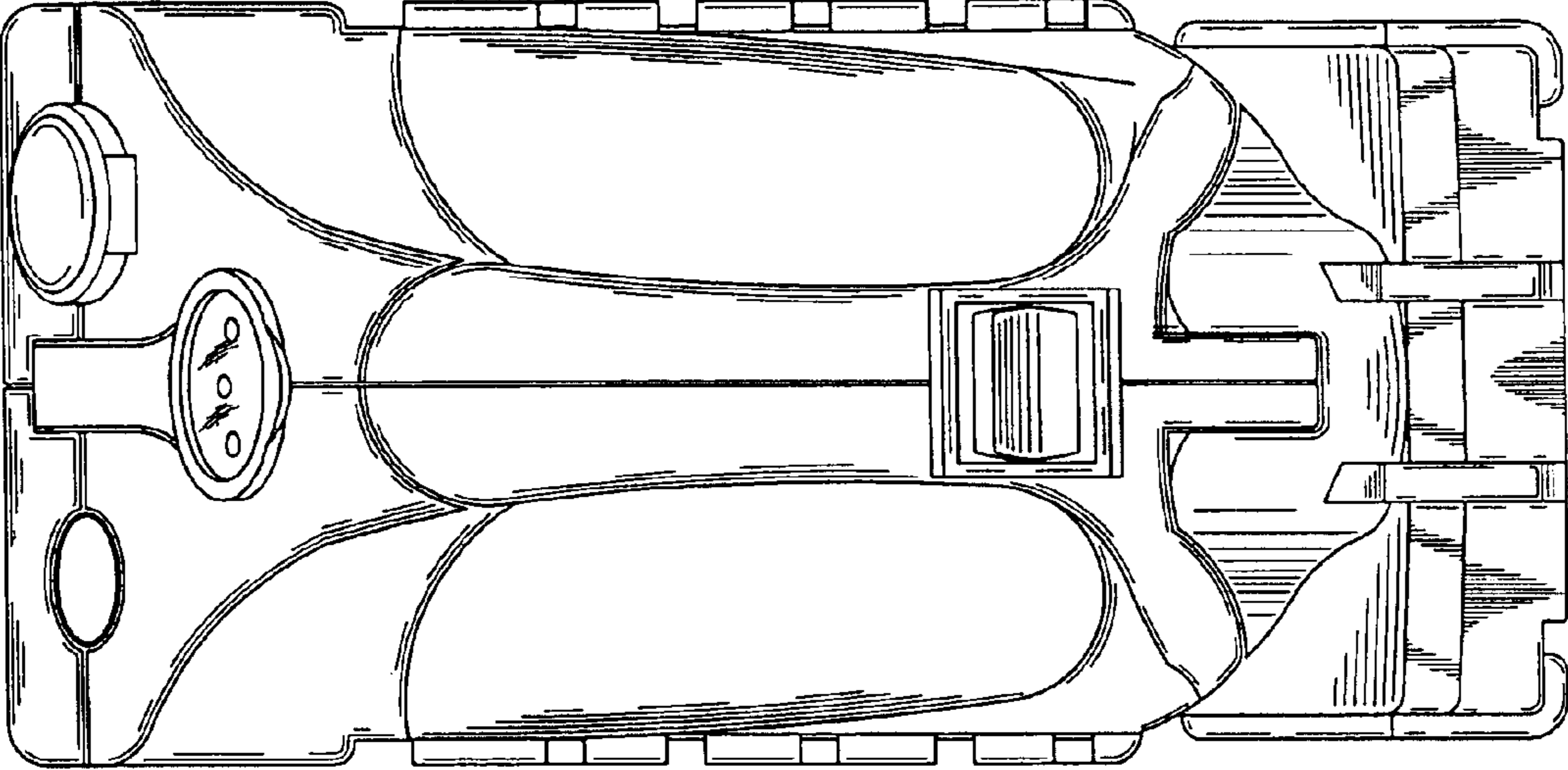


Fig. 7

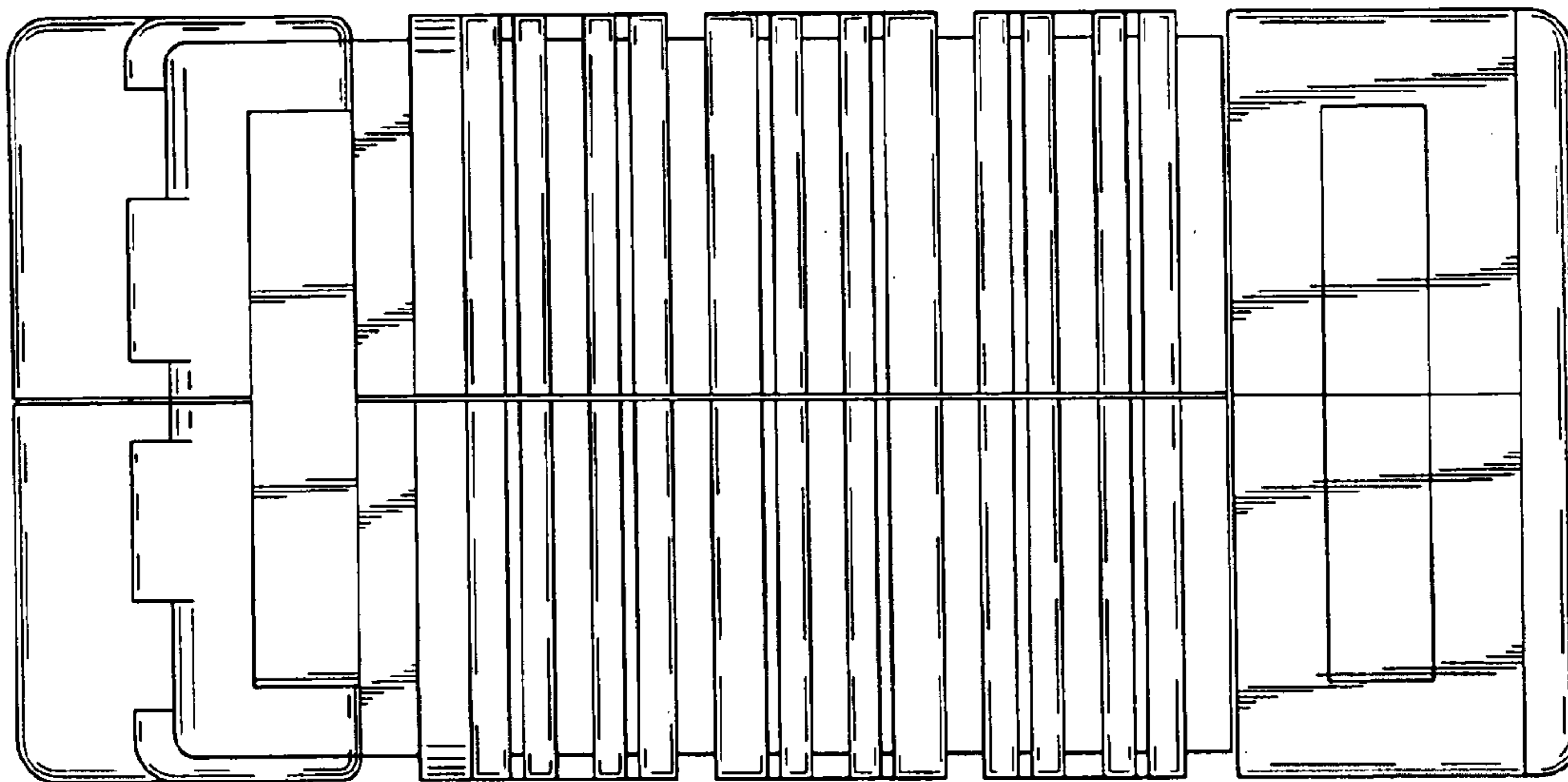


Fig. 8

